



US00D733259S

(12) **United States Design Patent**
Flowers et al.

(10) **Patent No.:** **US D733,259 S**
(45) **Date of Patent:** **** Jun. 30, 2015**

(54) **SINK MIXER**

(56) **References Cited**

(71) Applicant: **Grohe AG**, Hemer (DE)

U.S. PATENT DOCUMENTS

(72) Inventors: **Paul Flowers**, Duesseldorf (DE); **Jochen Allard**, Menden (DE)

D243,607 S *	3/1977	Mono et al.	D23/255
D520,114 S *	5/2006	Starck	D23/238
D535,358 S *	1/2007	Demmer et al.	D23/238
D605,260 S *	12/2009	Allard	D23/255
D646,355 S *	10/2011	Gessi	D23/238
8,869,821 B2 *	10/2014	Laera	137/801

(73) Assignee: **Grohe AG**, Hemer (DE)

* cited by examiner

(**) Term: **14 Years**

Primary Examiner — Robert Delehanty

(21) Appl. No.: **29/506,923**

(74) *Attorney, Agent, or Firm* — Muncy, Geissler, Olds & Lowe, P.C.

(22) Filed: **Oct. 22, 2014**

(57) **CLAIM**

The ornamental design for a sink mixer, as shown and described.

(30) **Foreign Application Priority Data**

DESCRIPTION

Apr. 22, 2014 (EM) 002450585-0003

(51) **LOC (10) Cl.** **23-01**

(52) **U.S. Cl.**

USPC **D23/238**

(58) **Field of Classification Search**

USPC D23/238, 249, 250, 252, 255, 257

CPC E03C 1/04; E03C 1/0401; E03C 1/0402;

E03C 1/0404; E03C 2001/0415

See application file for complete search history.

FIG. 1 is a front perspective view of a sink mixer according to the present invention.

FIG. 2 is a left side view of the sink mixer of FIG. 1.

FIG. 3 is a right side view of the sink mixer of FIG. 1.

FIG. 4 is a top plan view of the sink mixer of FIG. 1.

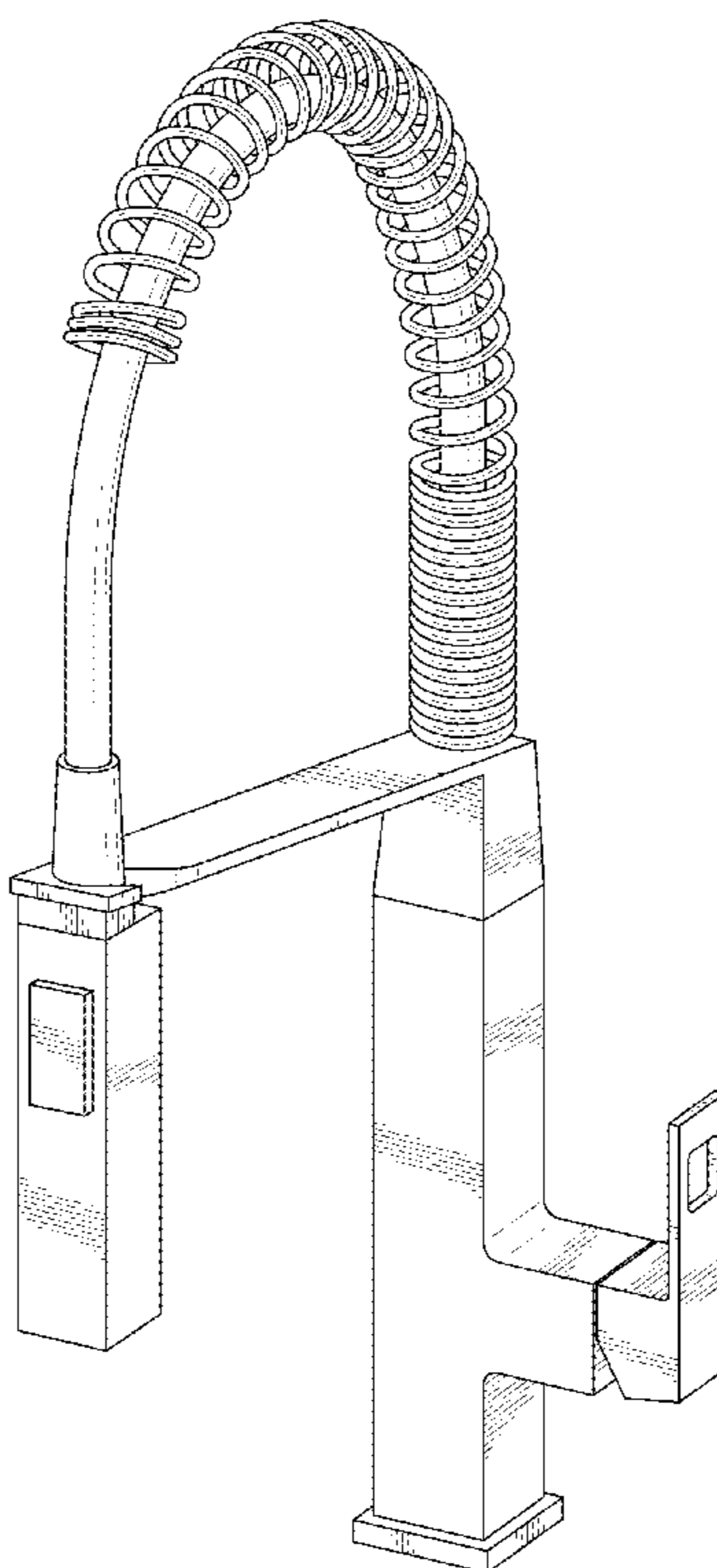
FIG. 5 is a bottom plan view of the sink mixer of FIG. 1.

FIG. 6 is a front view of the sink mixer of FIG. 1; and,

FIG. 7 is a rear view of the sink mixer of FIG. 1.

The dashed lines illustrate environment that does not form a part of the present invention, and no claim is made to the material illustrated with dashed lines.

1 Claim, 7 Drawing Sheets



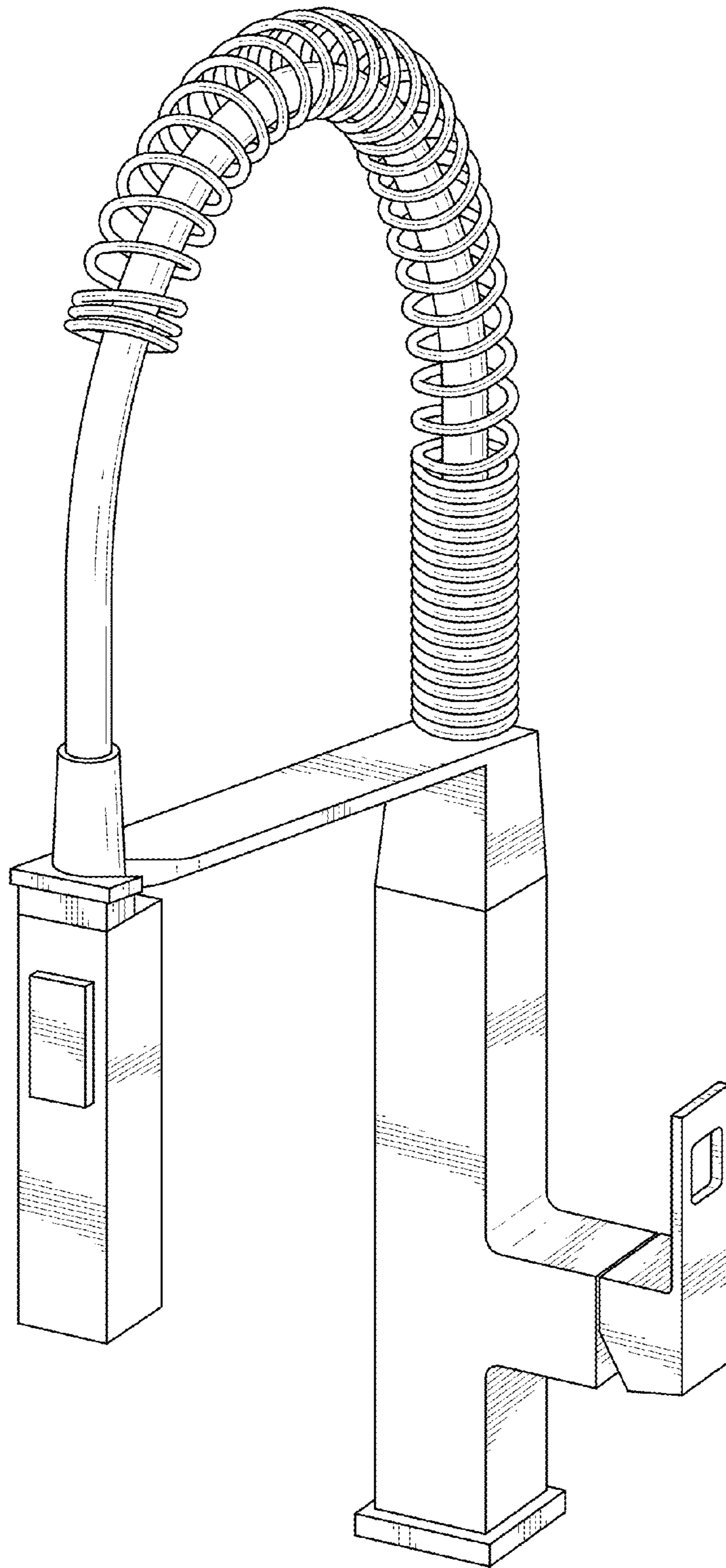


FIG.1

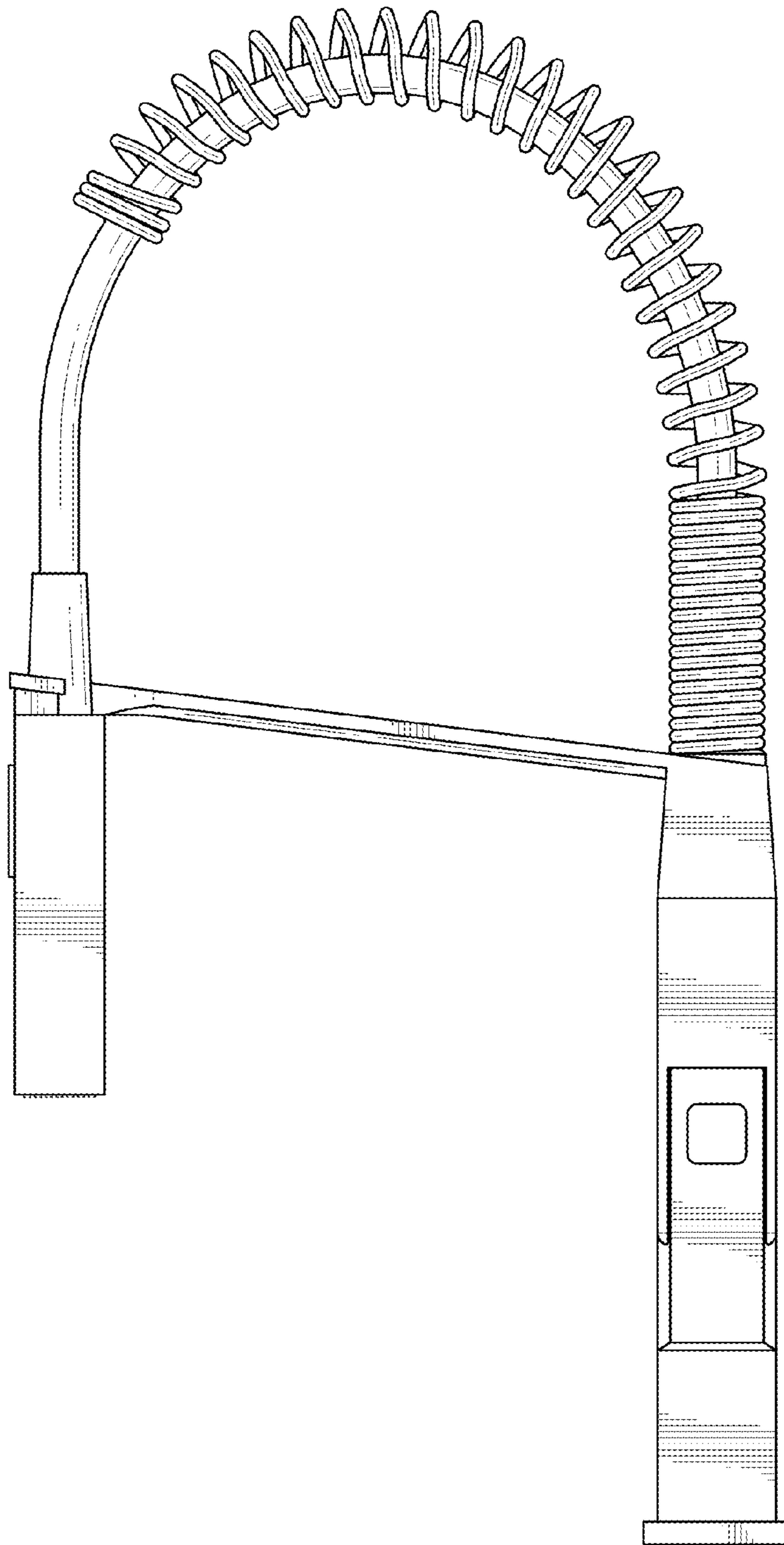


FIG.2

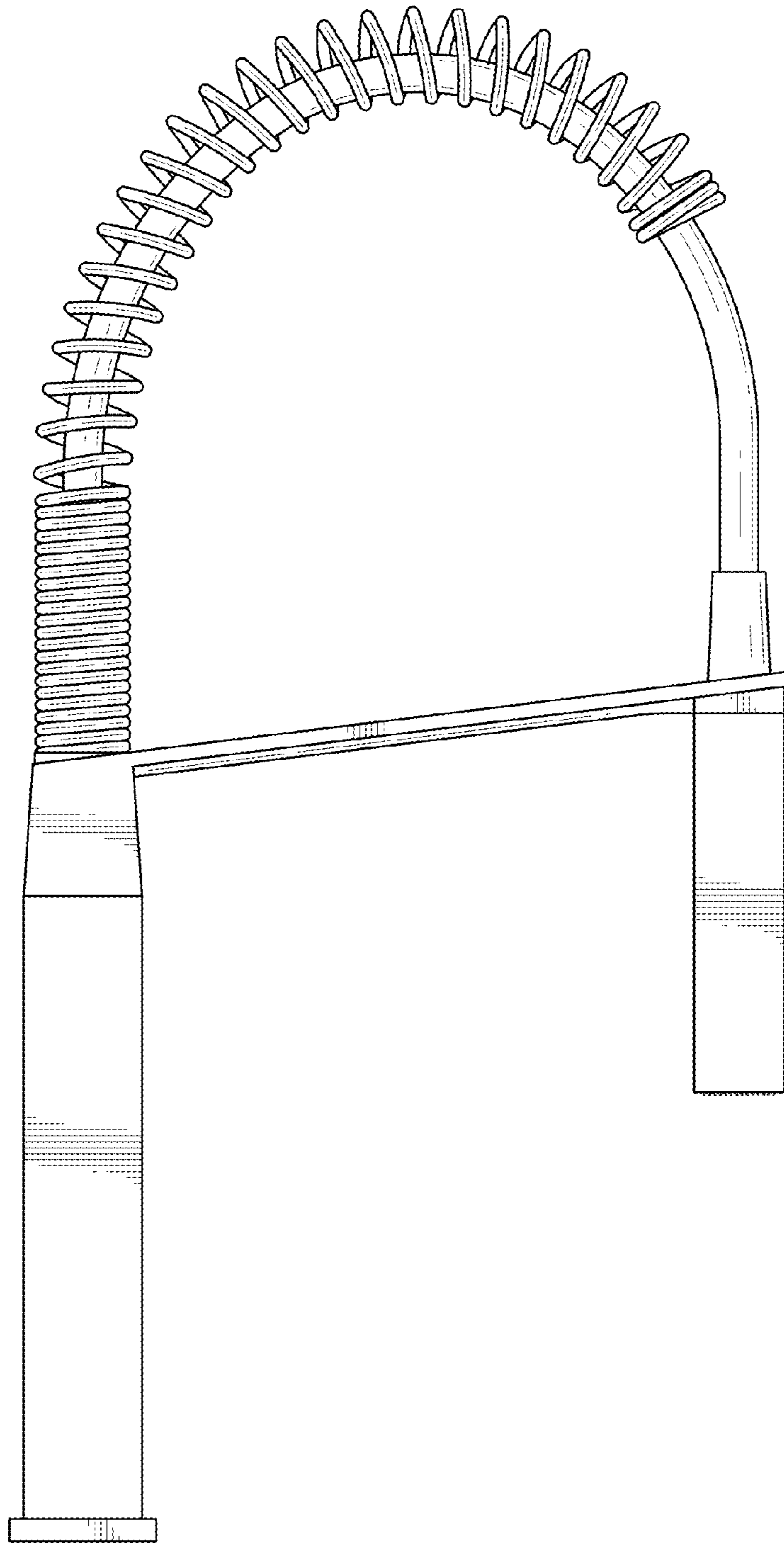


FIG.3

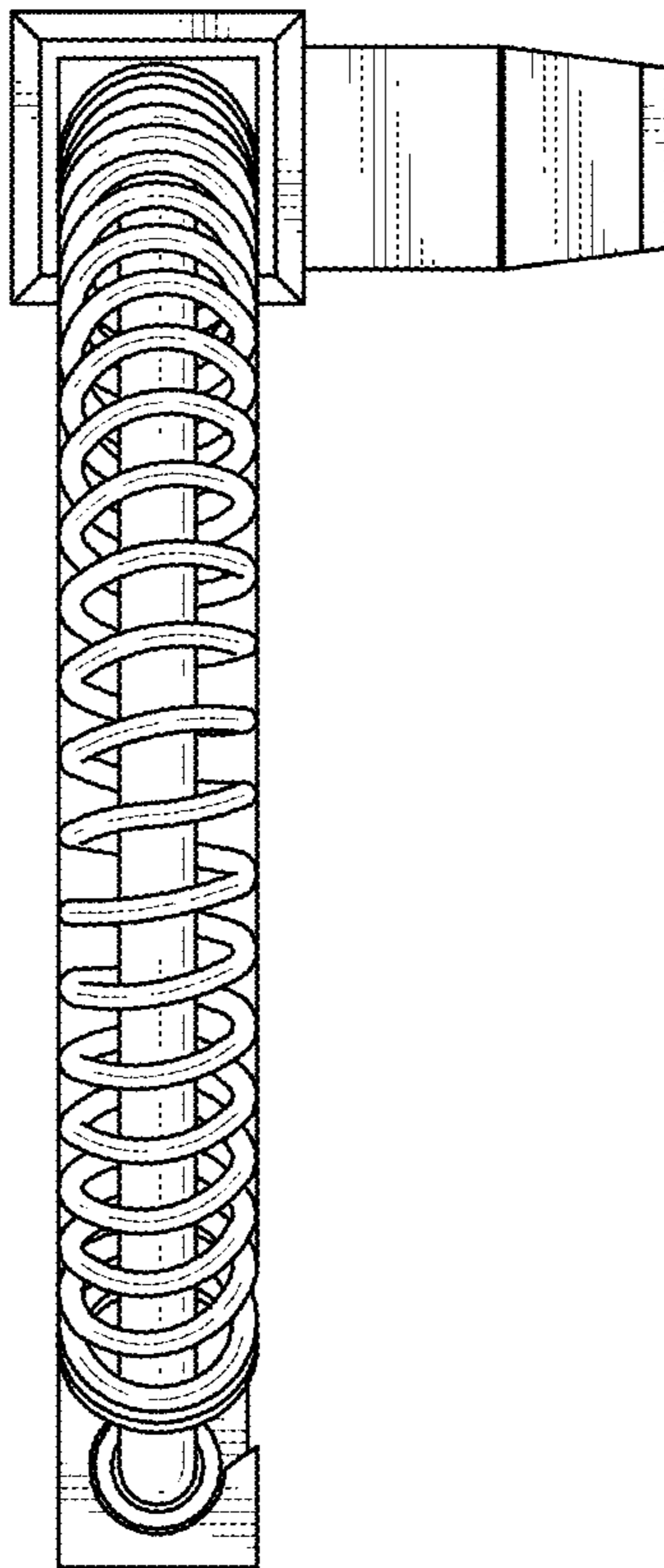


FIG.4

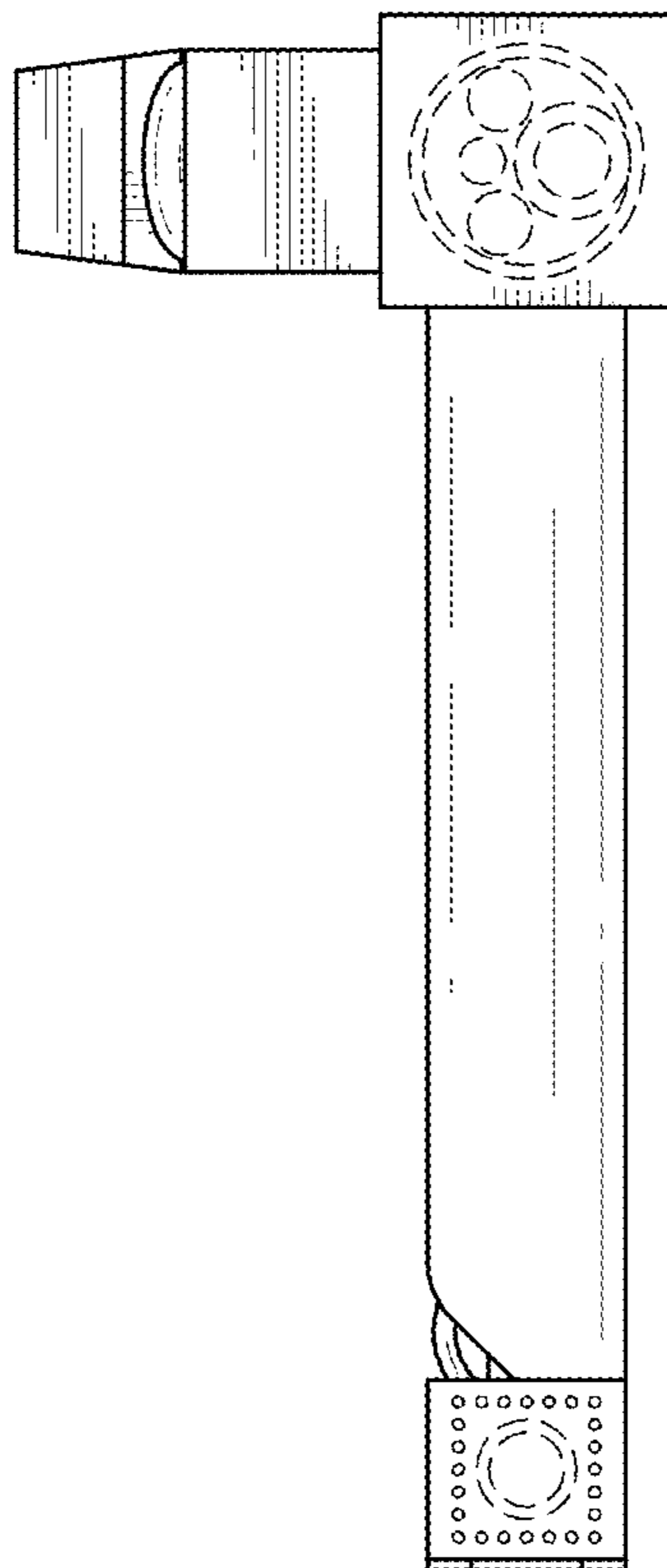


FIG.5

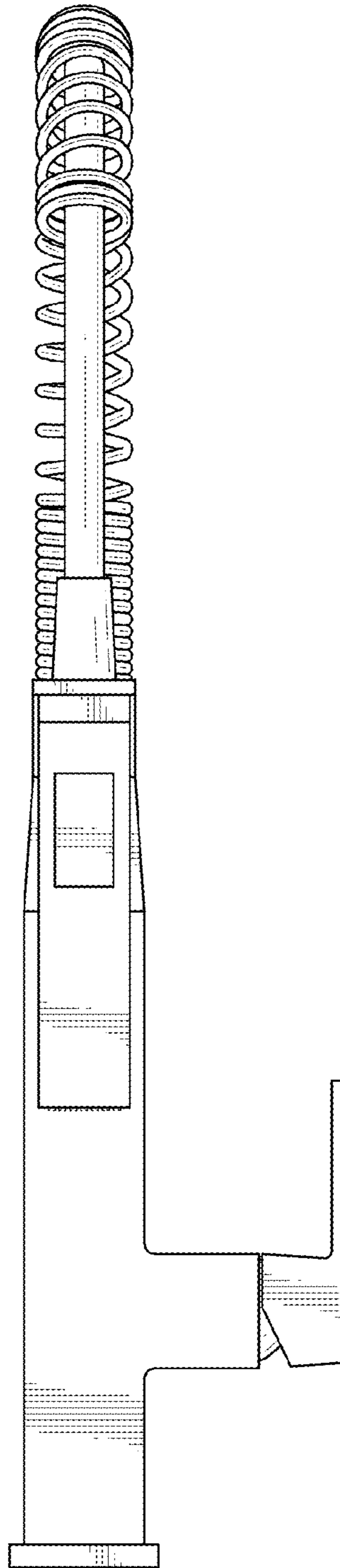


FIG.6

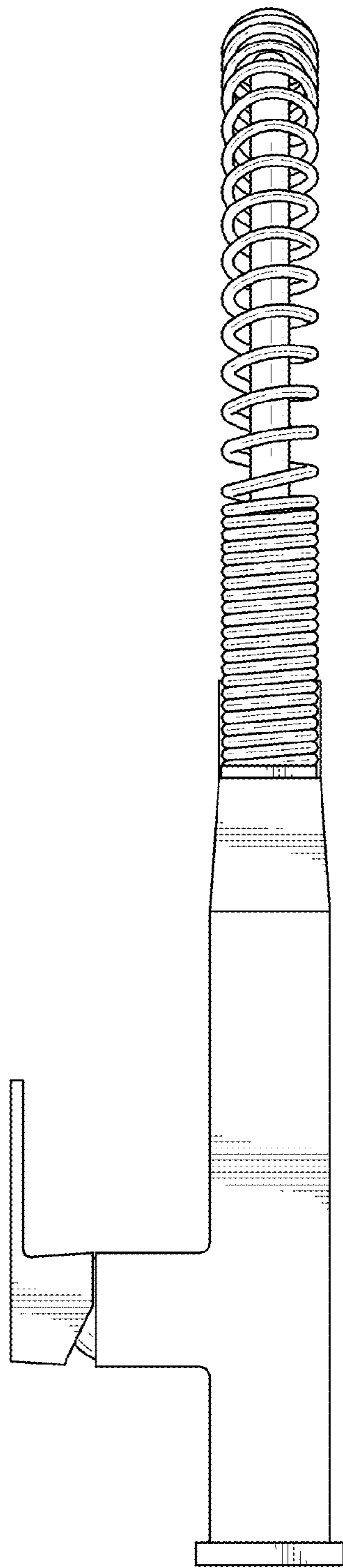


FIG.7