



US00D733257S

(12) **United States Design Patent**  
**Schoenherr et al.**

(10) **Patent No.:** **US D733,257 S**  
(45) **Date of Patent:** **\*\* Jun. 30, 2015**

(54) **OVERHEAD SHOWER**

(56)

**References Cited**

U.S. PATENT DOCUMENTS

D557,763 S	12/2007	Schönherr et al.	
D562,937 S *	2/2008	Schoenherr et al. ....	D23/213
D633,597 S	3/2011	Citterio	
D658,269 S *	4/2012	Schoenherr et al. ....	D23/213
D669,962 S *	10/2012	Schoenherr et al. ....	D23/213
D698,895 S	2/2014	Bellerod	
D707,328 S *	6/2014	Schoenherr et al. ....	D23/213
D713,496 S *	9/2014	Schoenherr et al. ....	D23/213

(71) Applicant: **Hansgrohe SE**, Schiltach (DE)

(72) Inventors: **Tom Schoenherr**, Stuttgart (DE);  
**Matthias Oesterle**, Winterbach (DE)

(73) Assignee: **Hansgrohe SE**, Schiltach (DE)

(\*\*) Term: **14 Years**

\* cited by examiner

(21) Appl. No.: **29/497,673**

*Primary Examiner* — Robin V Webster

(22) Filed: **Jul. 28, 2014**

(74) *Attorney, Agent, or Firm* — Lora J. Graentzdoerffer

(30) **Foreign Application Priority Data**

(57) **CLAIM**

The ornamental design for an overhead shower, as shown and described.

Feb. 14, 2014 (EM) ..... 001403273-0002

**DESCRIPTION**

(51) **LOC (10) Cl.** ..... **23-01**

(52) **U.S. Cl.**  
USPC ..... **D23/213**

(58) **Field of Classification Search**  
USPC ..... D23/213, 223, 226, 229, 230; 239/461,  
239/462, 282, 283; 4/615

CPC ..... B05B 1/18; B05B 1/00

See application file for complete search history.

FIG. 1 is a perspective view of an overhead shower showing our design;

FIG. 2 is a front elevational view;

FIG. 3 is a rear elevational view;

FIG. 4 is a left side elevational view; wherein the right side elevational view is a mirror image;

FIG. 5 is a top plan view; and,

FIG. 6 is a bottom plan view.

The broken-line disclosure in the views represents portions of the article in which the claimed design is embodied, but which form no part of the claimed design.

**1 Claim, 6 Drawing Sheets**

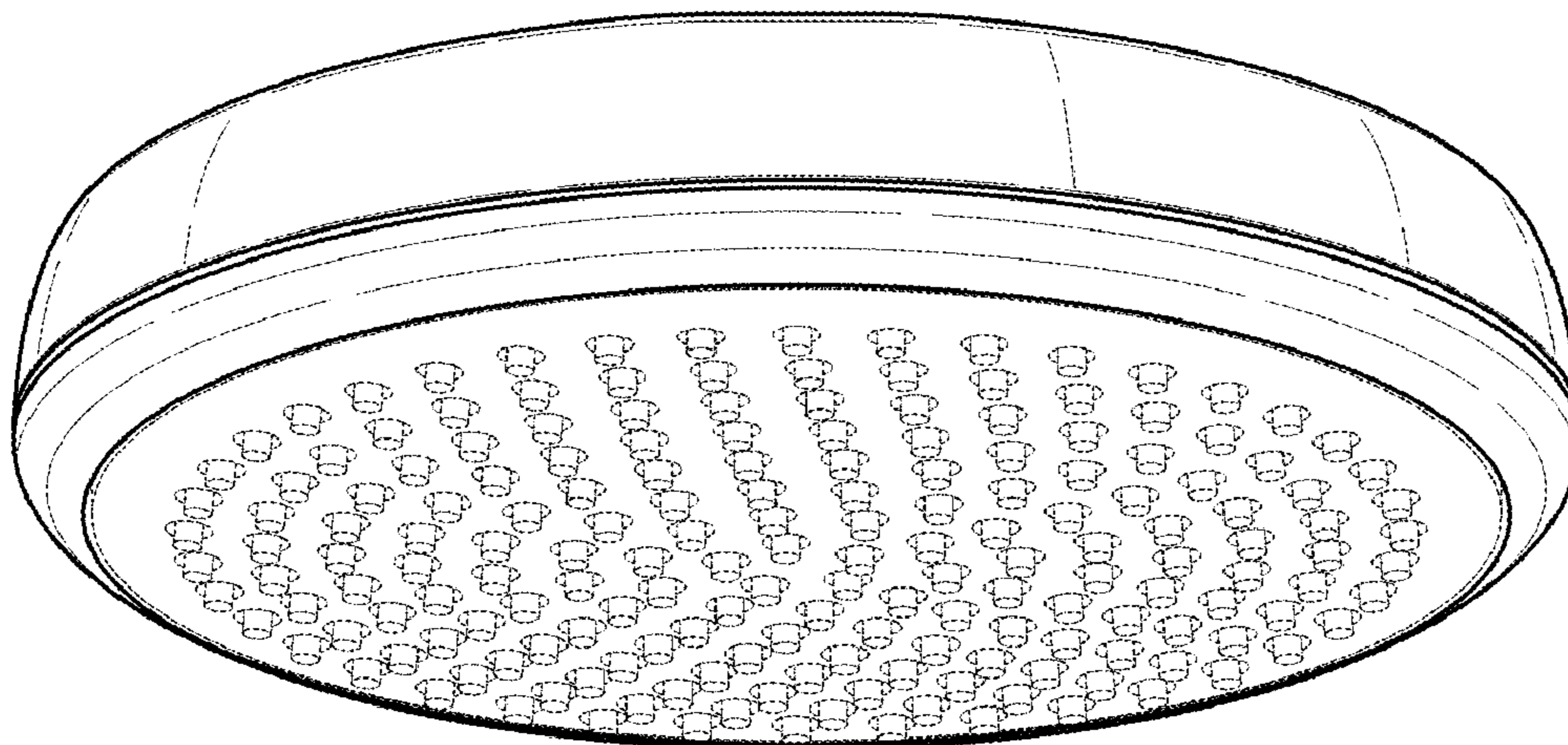


FIG. 1

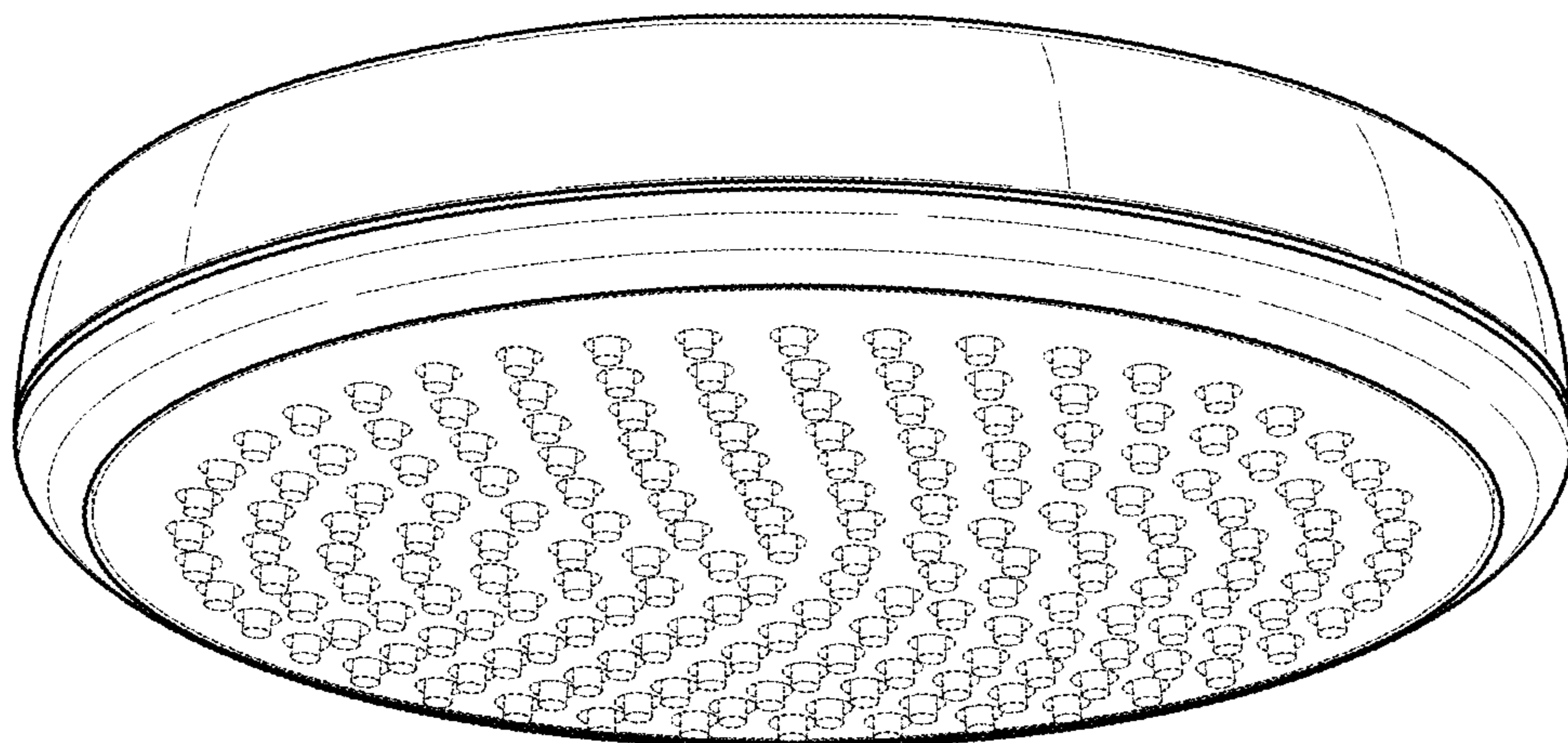


FIG. 2

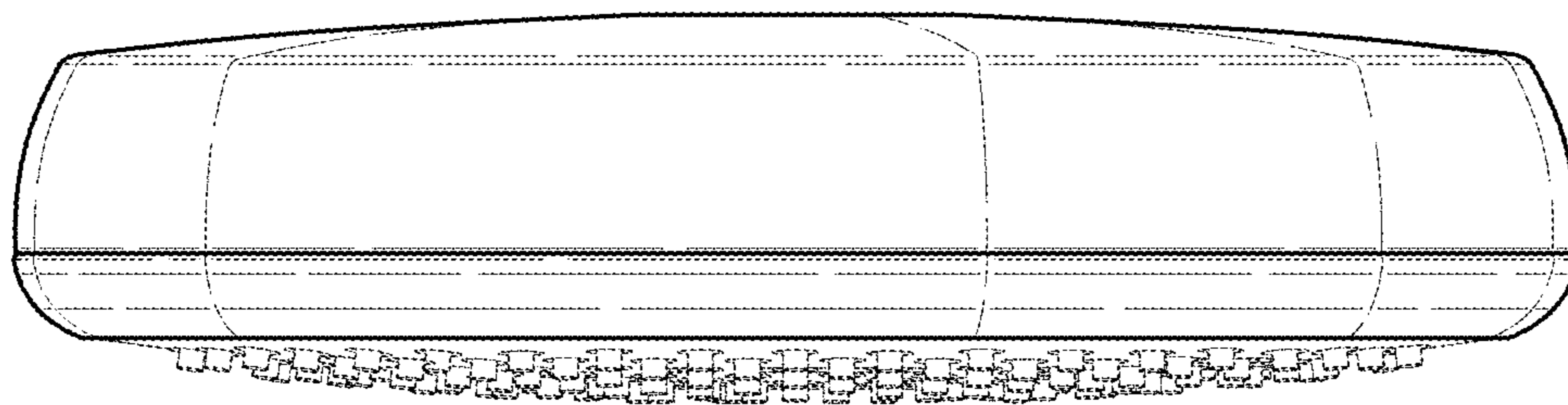


FIG. 3

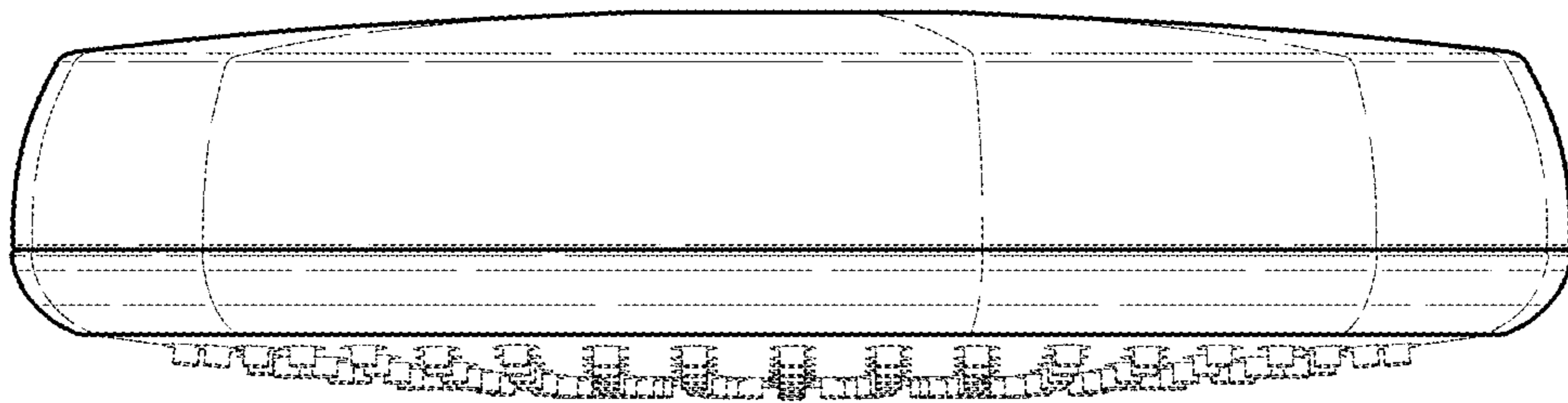


FIG. 4

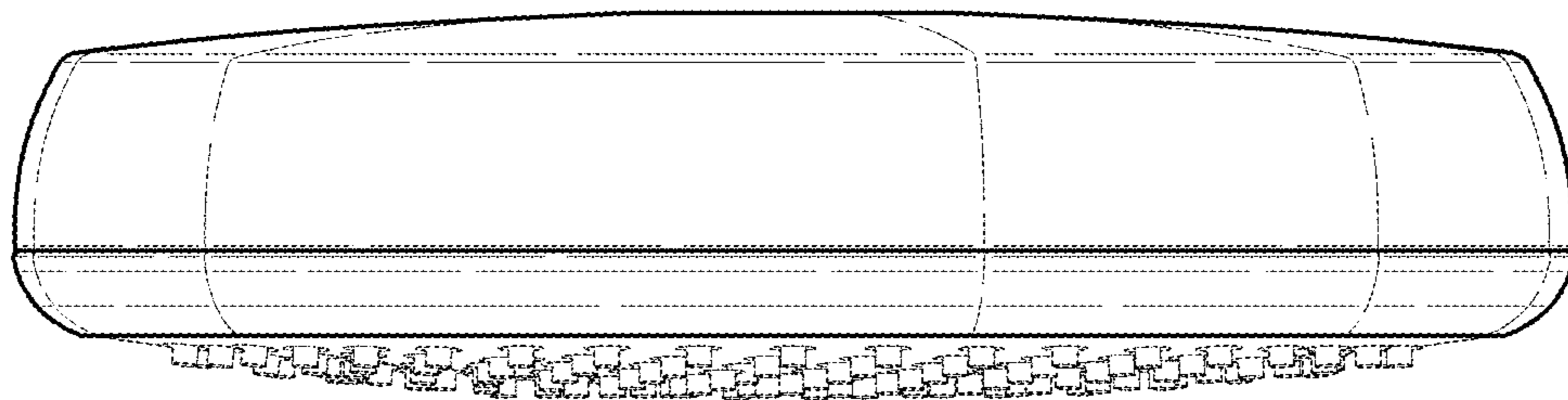


FIG. 5

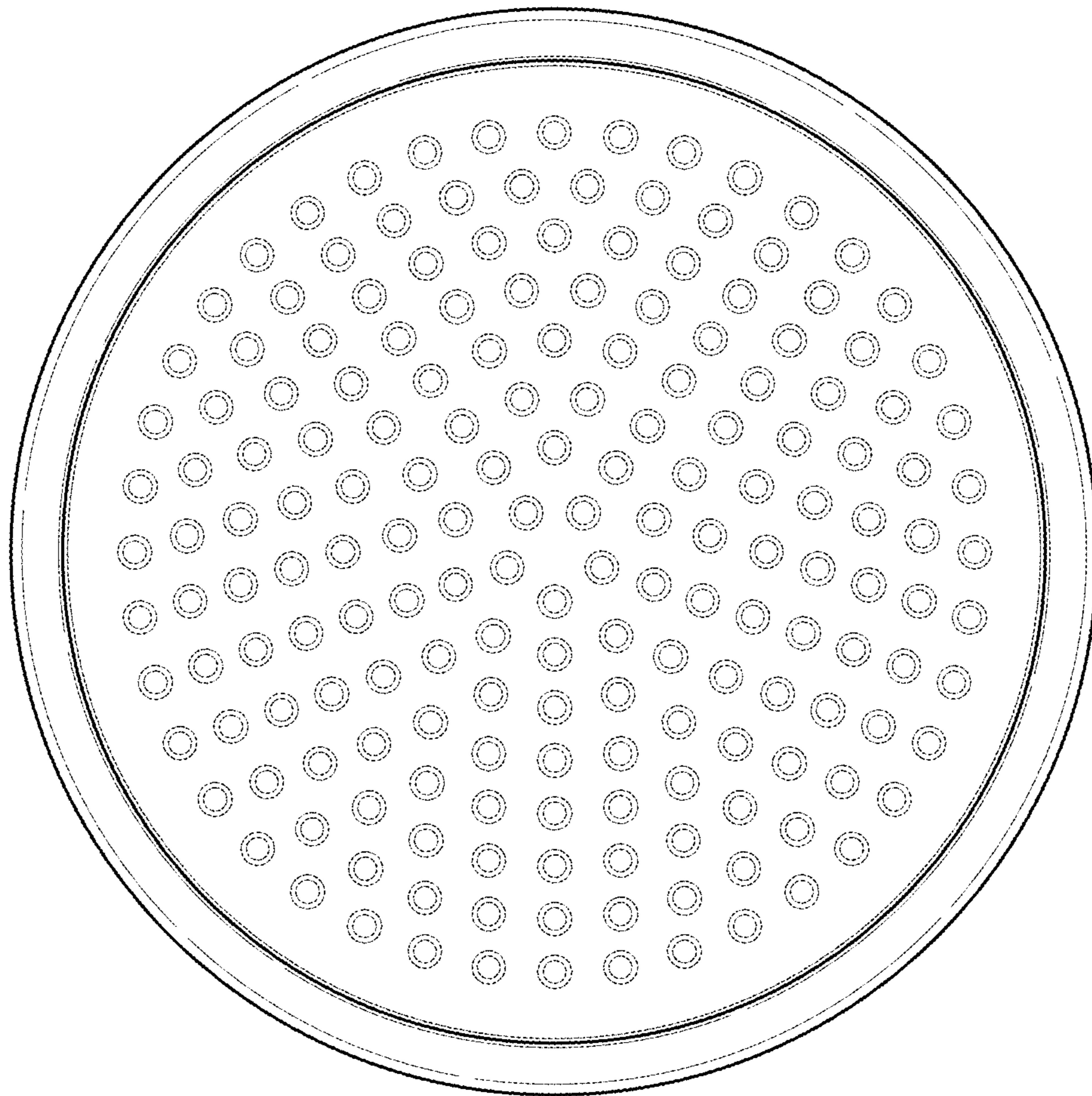


FIG. 6

