



US00D733252S

(12) **United States Design Patent**
Burczynski et al.

(10) **Patent No.:** **US D733,252 S**
(45) **Date of Patent:** **** Jun. 30, 2015**

(54) **FIREARM BULLET AND PORTION OF
FIREARM CARTRIDGE**

(56) **References Cited**

(71) Applicant: **RA Brands, L.L.C.**, Madison, NC (US)

1,081,616 A 12/1913 Johnson
2,696,130 A 12/1954 Peters

(72) Inventors: **Thomas J. Burczynski**, Montour Falls,
NY (US); **Nick T. Sachse**, Oak Ridge,
NC (US)

(Continued)

FOREIGN PATENT DOCUMENTS

(73) Assignee: **RA Brands, L.L.C.**, Madison, NC (US)

DE 648039 C 7/1937
DE 705504 C 4/1941

(**) Term: **14 Years**

(Continued)

OTHER PUBLICATIONS

(21) Appl. No.: **29/462,555**

(22) Filed: **Aug. 6, 2013**

Don Roberts, At Last! Pressure Data for the .30-40 Krag,
Handloader: The Journal of Ammunition Reloading, Jul.-Aug. 1976,
pp. cover, 4, 38-41, Issue 62, Wolfe Publishing.

(Continued)

Related U.S. Application Data

(63) Continuation-in-part of application No. 13/748,841,
filed on Jan. 24, 2013, which is a continuation-in-part
of application No. 13/190,972, filed on Jul. 26, 2011,
now Pat. No. 8,752,484.

Primary Examiner — Michael A Pratt

(74) *Attorney, Agent, or Firm* — Womble Carlyle Sandridge
& Rice, LLP

(51) **LOC (10) Cl.** **22-03**

(52) **U.S. Cl.**
USPC **D22/115**

(58) **Field of Classification Search**
USPC D22/115-116; 102/346, 430, 439, 448,
102/458, 460, 464-468, 471, 501, 506, 508,
102/514, 517, 521; 89/10, 19.5, 23, 25,
89/46-48, 54-55
CPC F42B 30/02; F42B 8/02; F42B 8/04;
F42B 8/06; F42B 7/02; F42B 7/04; F42B
7/06; F42B 7/08; F42B 8/10; F42B 8/12;
F42B 5/02; F42B 5/26; F42B 5/28; F42B
5/30; F42B 5/32; F42B 5/34; F42B 5/36;
F42B 5/38

(57)

CLAIM

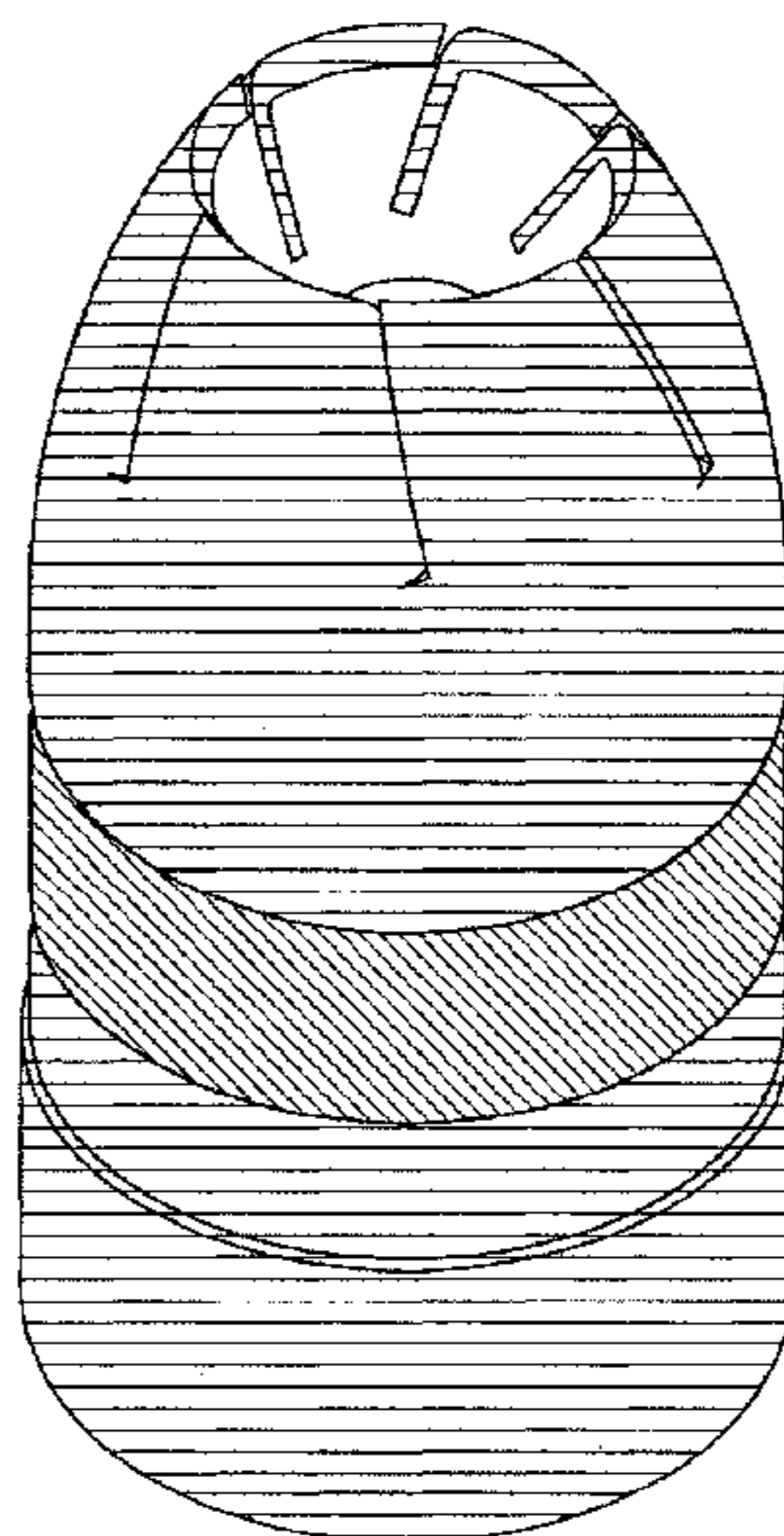
The ornamental design for a firearm bullet, as shown in the
accompanying drawings and described above.

DESCRIPTION

FIG. 1 is a top perspective view of a bullet in accordance with
the invention;
FIG. 2 is a bottom perspective view of the bullet of FIG. 1;
FIG. 3 is a front elevation view of the bullet of FIG. 1;
FIG. 4 is a rear elevation view of the bullet of FIG. 1;
FIG. 5 is a right elevation view of the bullet of FIG. 1;
FIG. 6 is a left elevation view of the bullet of FIG. 1;
FIG. 7 is a top plan view of the bullet of FIG. 1;
FIG. 8 is a bottom plan view of the bullet of FIG. 1; and,
FIGS. 9-16 are respectively like FIGS. 1-8 except that shad-
ing is not shown, and the diagonal hatching designates a
contrast and the horizontal hatching designates a contrast that
is different from the contrast designated by the diagonal
hatching in accordance with the invention.

See application file for complete search history.

1 Claim, 6 Drawing Sheets



(56)

References Cited

U.S. PATENT DOCUMENTS

3,881,421 A * 5/1975 Burczynski 102/509
 4,044,679 A 8/1977 Pagano et al.
 4,108,073 A 8/1978 Davis
 4,336,756 A 6/1982 Schreiber
 4,550,662 A * 11/1985 Burczynski 102/509
 4,870,884 A 10/1989 Schubart et al.
 4,947,755 A * 8/1990 Burczynski 102/506
 5,131,123 A 7/1992 Brooks
 5,357,866 A 10/1994 Schluckebier et al.
 5,385,100 A * 1/1995 Corzine et al. 102/507
 5,385,101 A * 1/1995 Corzine et al. 102/509
 5,686,693 A 11/1997 Jakobsson
 D389,221 S * 1/1998 Borg D22/116
 5,943,749 A * 8/1999 Swank 86/54
 6,119,600 A 9/2000 Burri
 6,213,022 B1 4/2001 Pullum
 D447,209 S * 8/2001 Benini D22/116
 6,530,328 B2 * 3/2003 Burczynski et al. 102/507
 6,776,101 B1 * 8/2004 Pickard 102/509
 6,805,057 B2 * 10/2004 Carr et al. 102/509
 6,973,879 B1 12/2005 McElroy et al.
 D621,468 S * 8/2010 Nilsson D22/116
 7,874,253 B2 1/2011 Marx
 D646,179 S * 10/2011 Jansen D9/680
 D664,042 S * 7/2012 Kurpis D9/680
 8,256,352 B2 * 9/2012 Masinelli 102/507
 8,397,641 B1 * 3/2013 Jackson 102/517
 8,448,575 B2 * 5/2013 Goddard 102/430
 8,511,233 B2 * 8/2013 Nilsson 102/509
 8,640,589 B2 * 2/2014 Dryer et al. 86/51
 8,646,389 B2 * 2/2014 Masinelli 102/514
 8,752,484 B2 6/2014 Burczynski
 8,763,535 B2 * 7/2014 Padgett 102/467
 8,789,470 B2 * 7/2014 Frank 102/509
 8,950,333 B2 2/2015 Burczynski et al.
 2006/0027128 A1 2/2006 Hober
 2007/0089629 A1 4/2007 Marx
 2007/0204758 A1 9/2007 Spatz et al.
 2008/0035008 A1 2/2008 Riess et al.
 2010/0263565 A1 10/2010 Hugus, IV et al.
 2011/0088537 A1 4/2011 Eberhart

2011/0252997 A1 10/2011 Hoffman
 2013/0025490 A1 1/2013 Burczynski
 2013/0305950 A1 * 11/2013 Coffman, II 102/464
 2014/0261044 A1 * 9/2014 Seecamp 102/464
 2014/0311372 A1 10/2014 Burczynski et al.

FOREIGN PATENT DOCUMENTS

DE 743914 C 1/1944
 DE 2064553 A1 7/1972
 EP 0225532 A1 6/1987
 EP 0918208 A1 5/1999
 GB 191300326 A 0/1914
 WO WO/2013/016330 1/2013

OTHER PUBLICATIONS

George C. Lambert, letter to Mr. C. V. Bracher regarding "Belted Bullet", Mar. 4, 1936, 1 pages, Peters Cartridge Division of Remington Arms Co., Inc., Bridgeport, CT.
 International Search Report for PCT/US2012/047966 dated Oct. 16, 2012.
 Maj. George Nonte, Tip to Tip, Handloader: The Journal of Ammunition Reloading, Jul.-Aug. 1976, pp. cover, 4, 12-13, Issue 62, Wolfe Publishing Company, Inc., Prescott.
 Photograph of .30 U.S. Govt. 1906—180 Gra . . . ; Scientific Bullet Design Ins . . . Superfine Accuracy; and Heavy Jacket Re-Inforced by Belt.
 Sharpe, Philp Burdette, "Complete Guide to Handloading", pp. 41-43, third edition, Wolfe Pub Co.; 1988.
 Written Opinion for PCT/US2012/047966 dated Oct. 16, 2012.
 International Search Report dated Apr. 17, 2014 for International Application No. PCT/US2014/012952 filed Jan. 24, 2014.
 Written Opinion dated Apr. 17, 2014 for International Application No. PCT/US2014/012952 filed Jan. 24, 2014.
 Notice of Allowance for U.S. Appl. No. 13/748,841 mailed Oct. 2, 2014.
 Non-final Office Action from U.S. Appl. No. 14/303,908 dated Mar. 23, 2015.

* cited by examiner

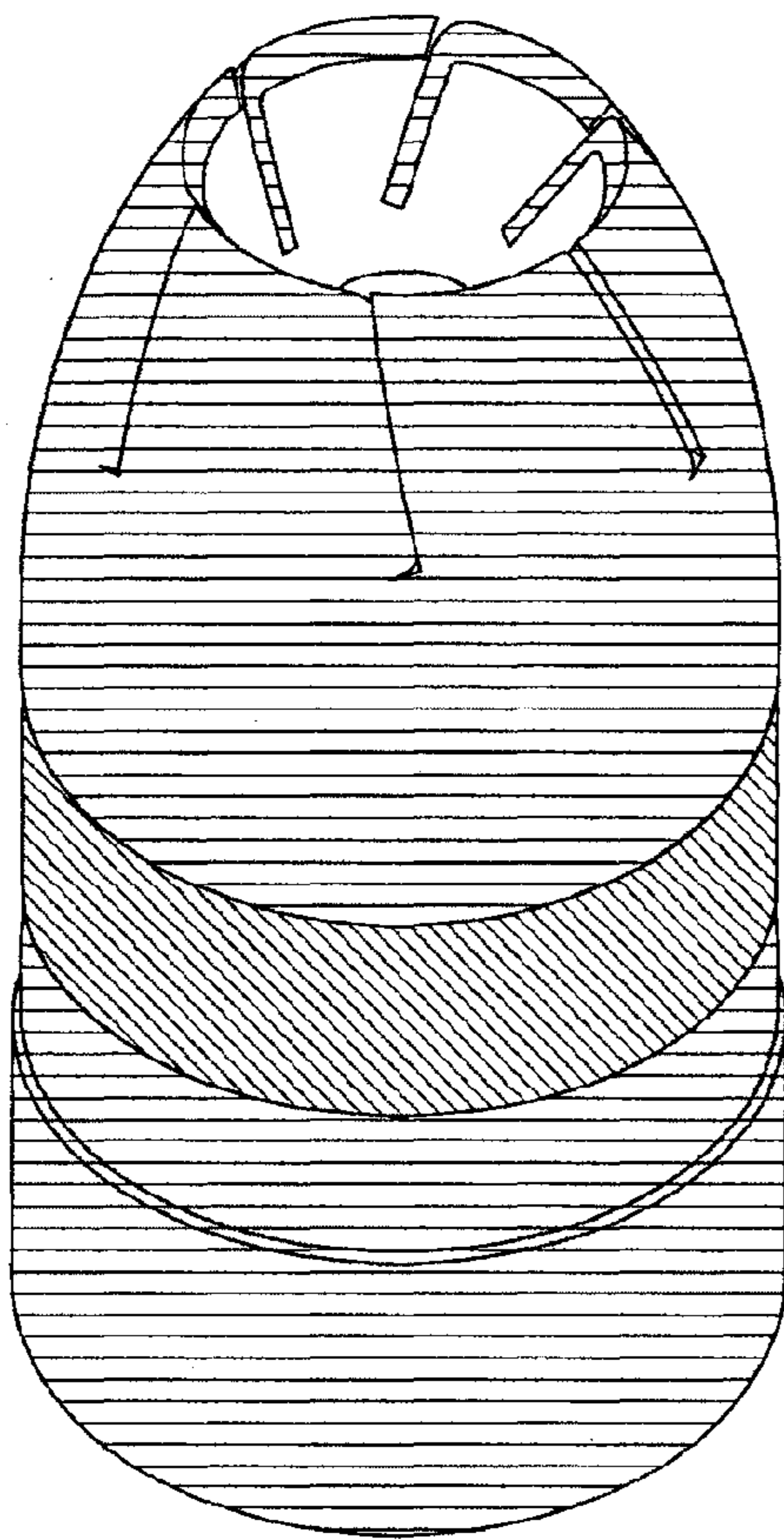


FIG. 1

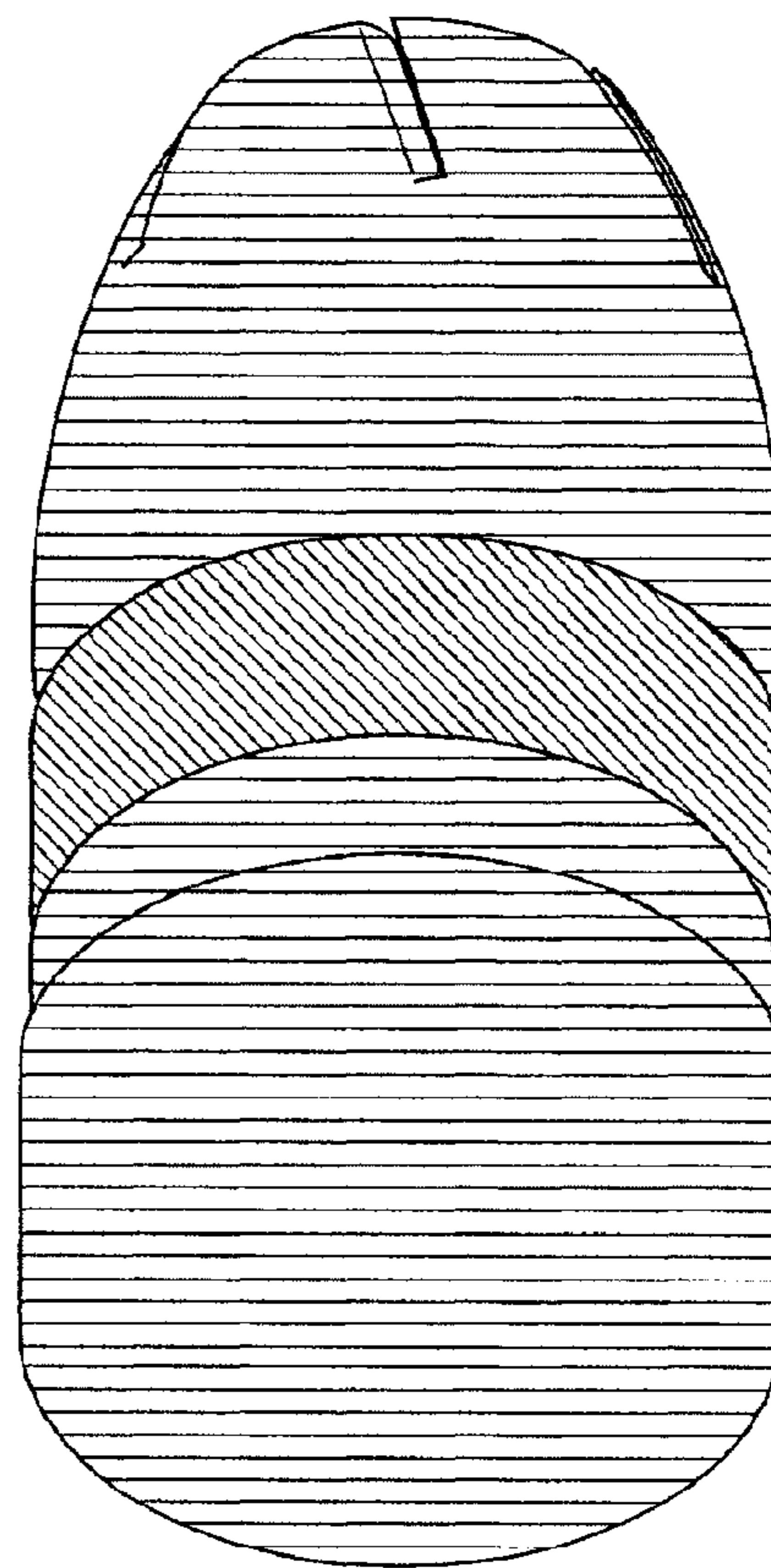


FIG. 2

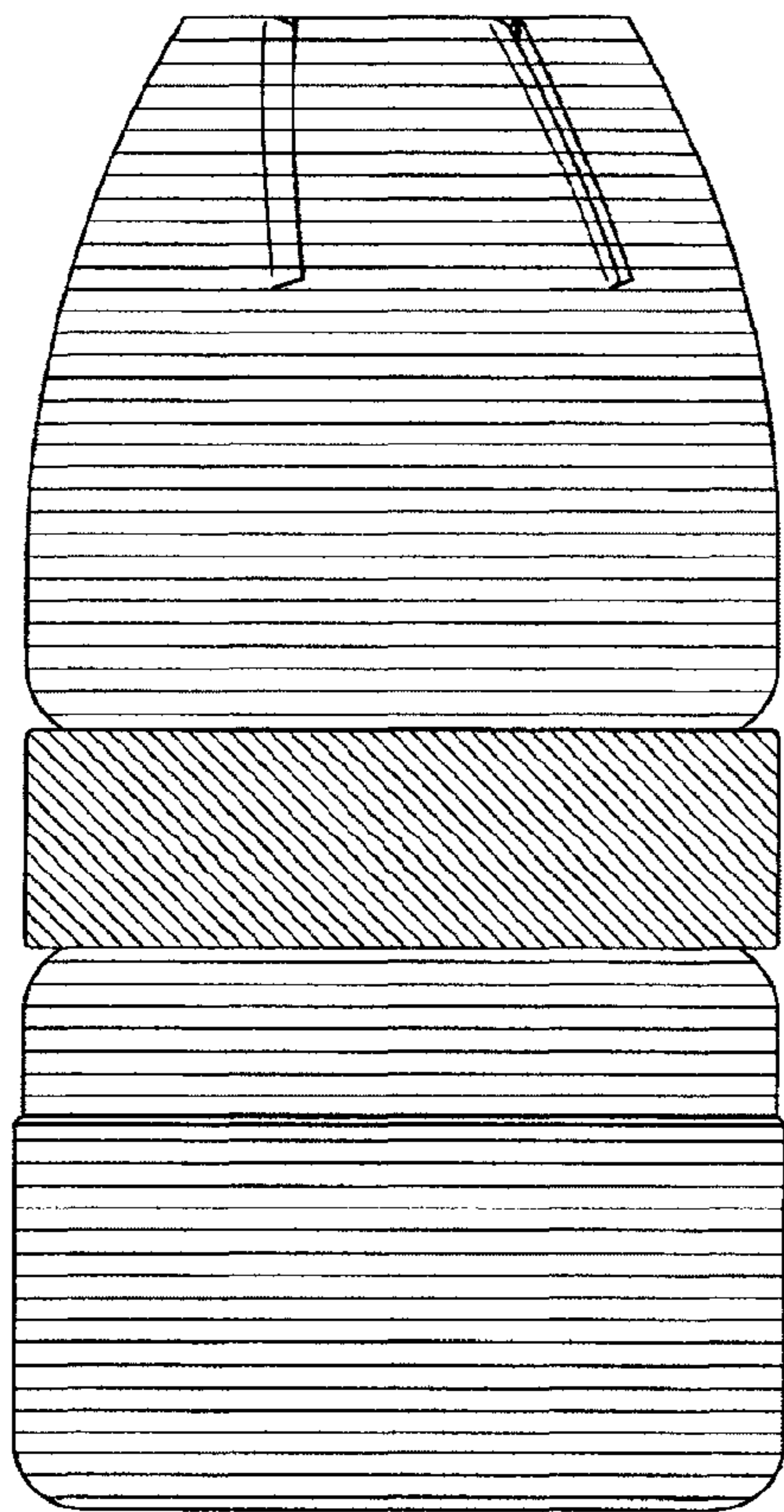


FIG. 3

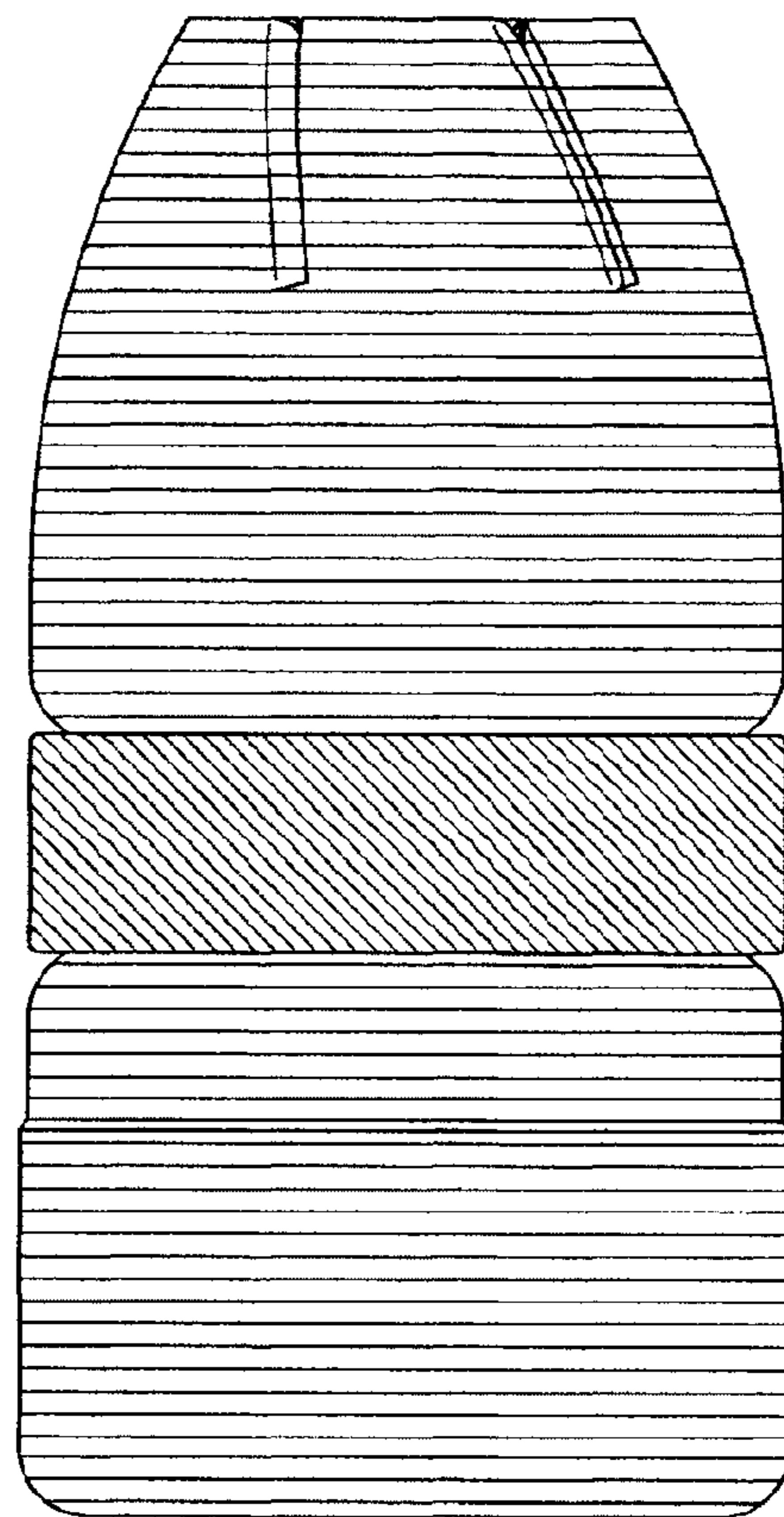


FIG. 4

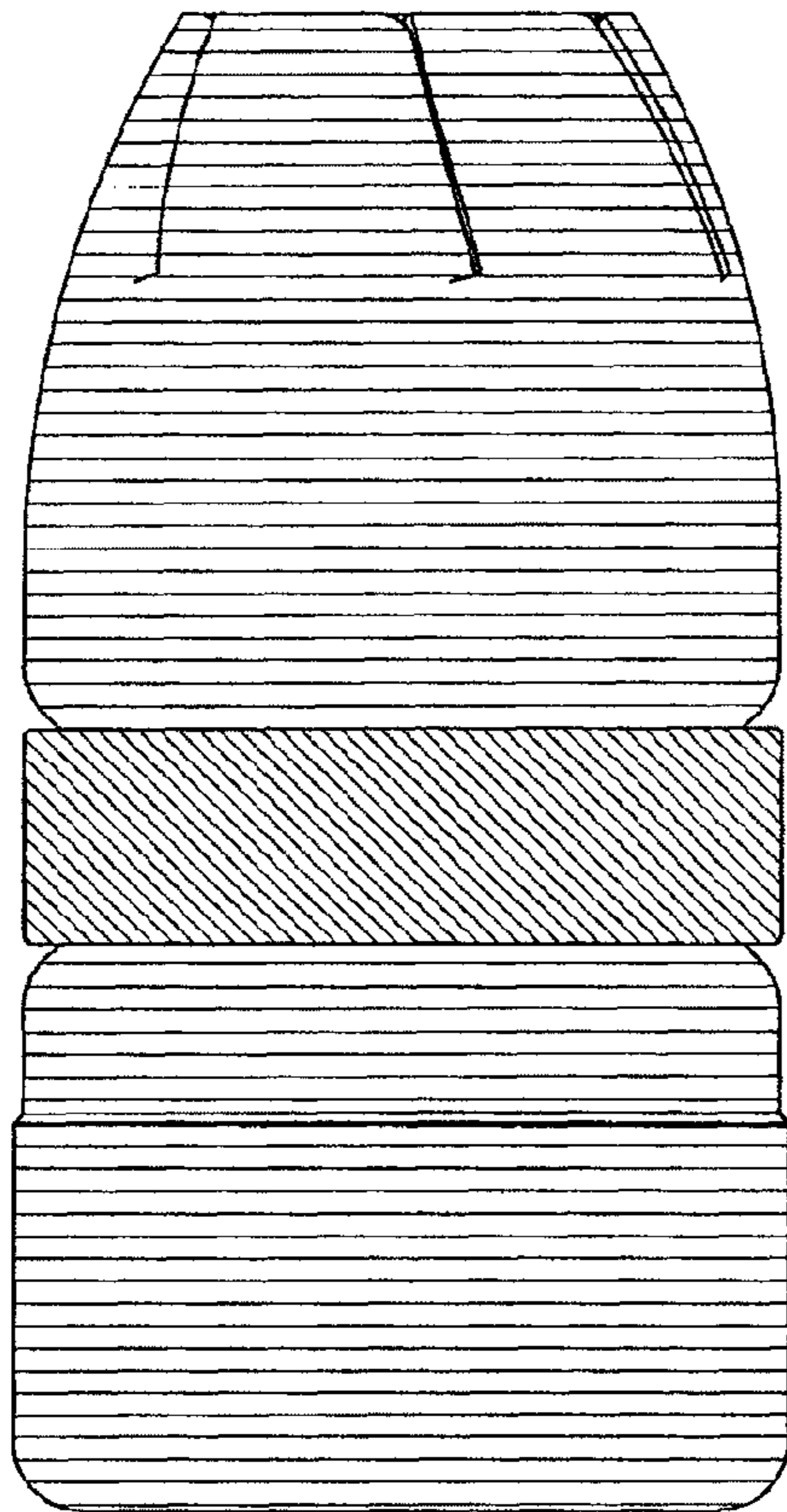


FIG. 5

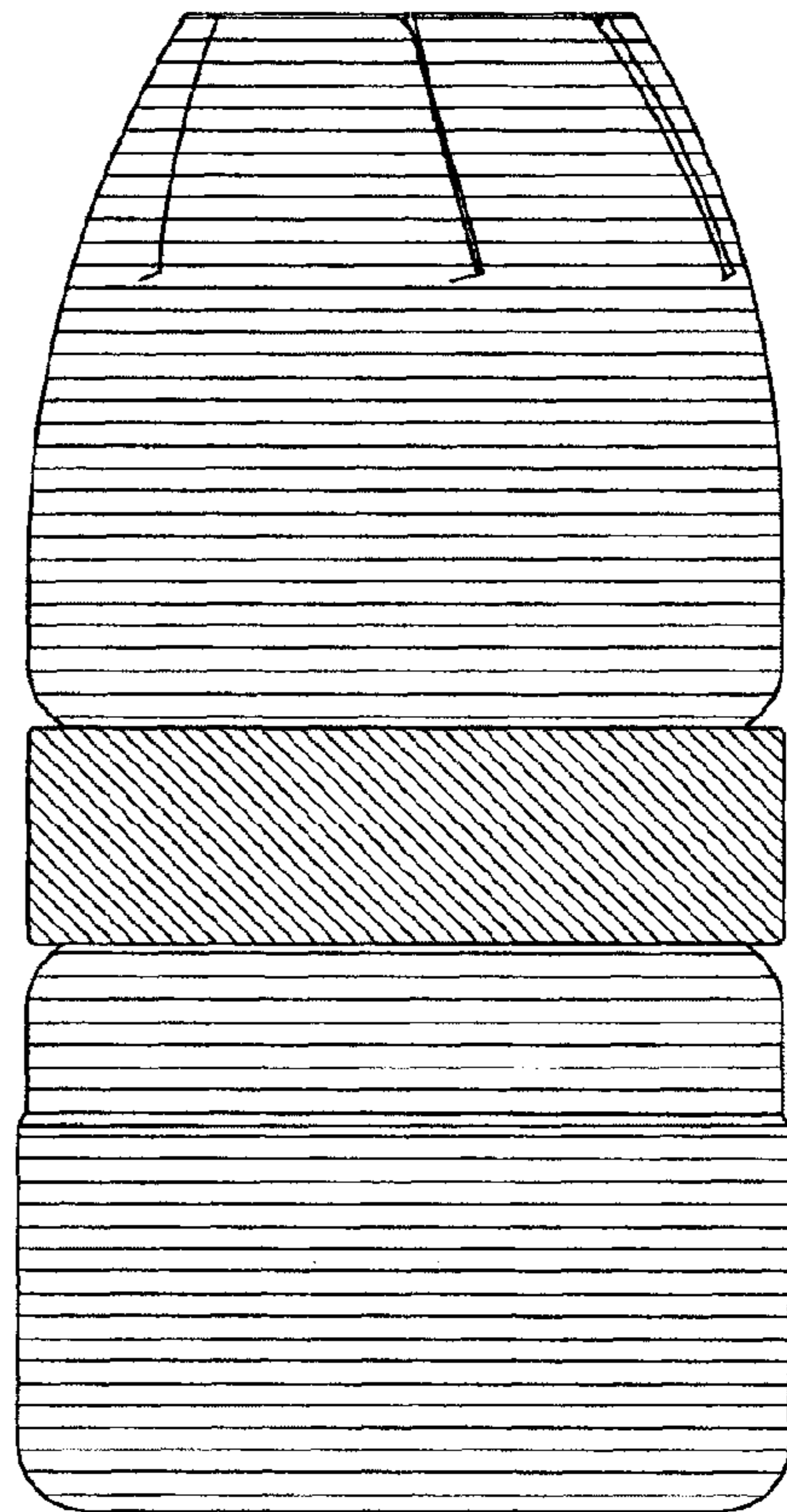


FIG. 6

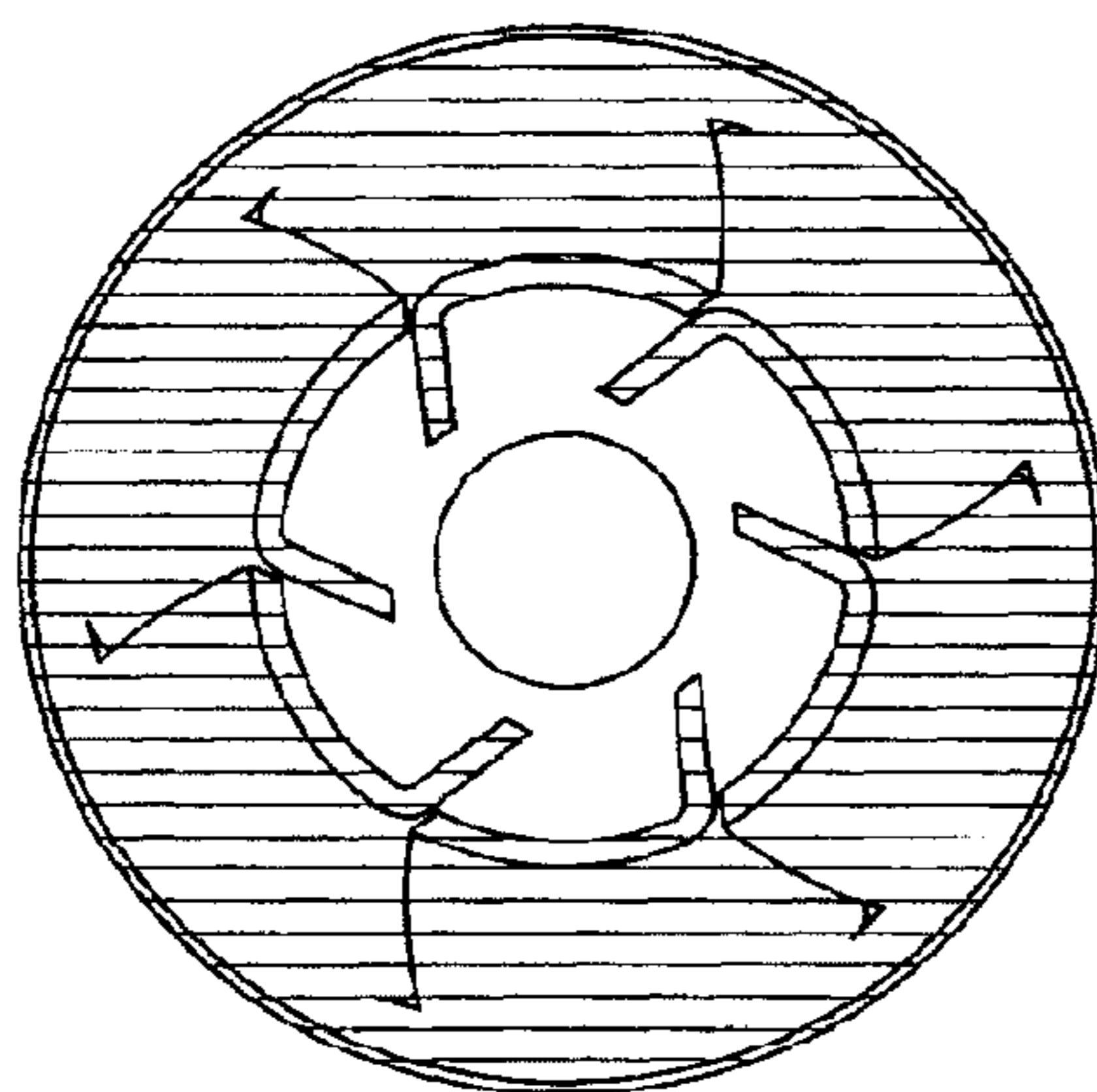


FIG. 7

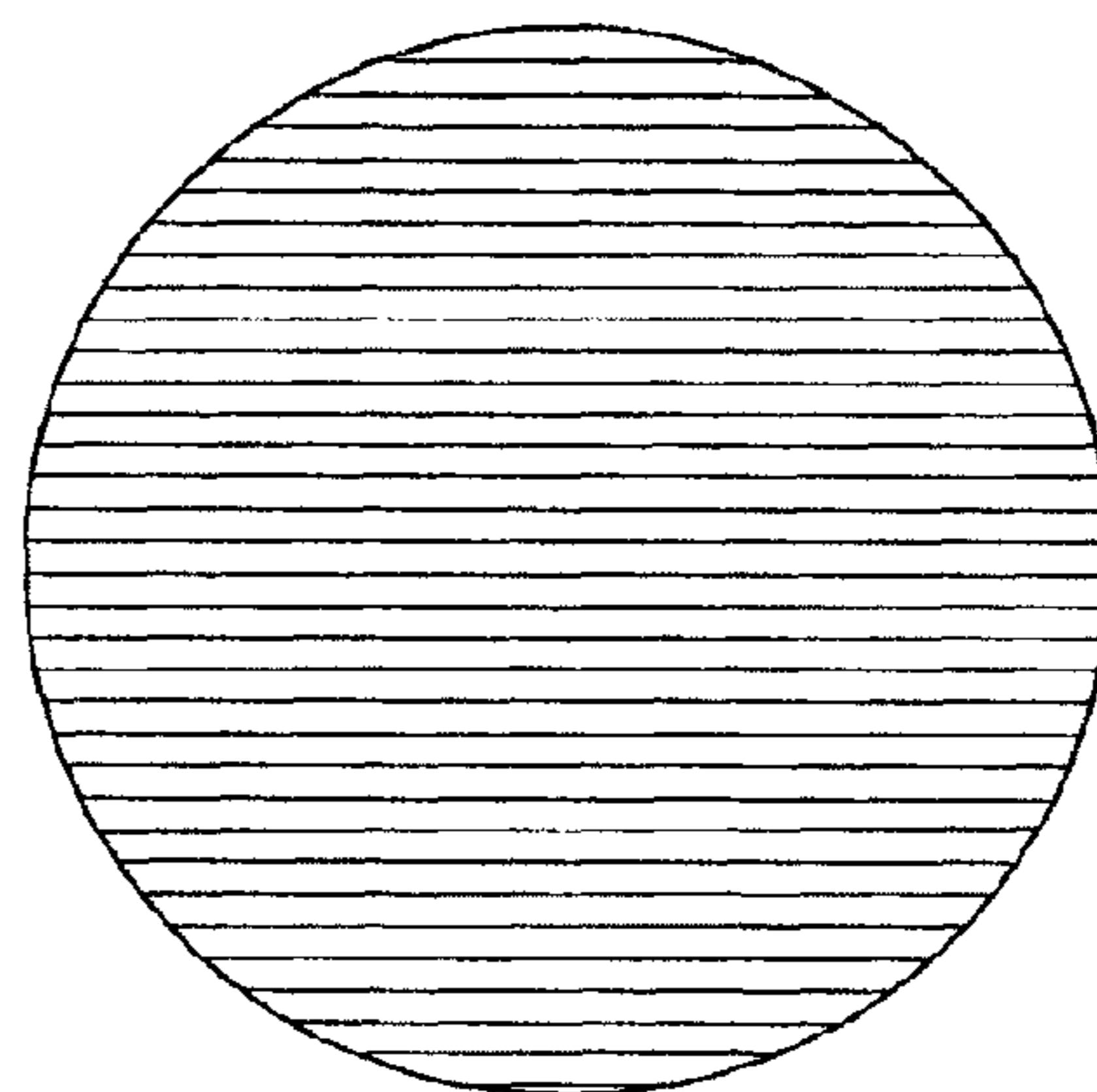


FIG. 8

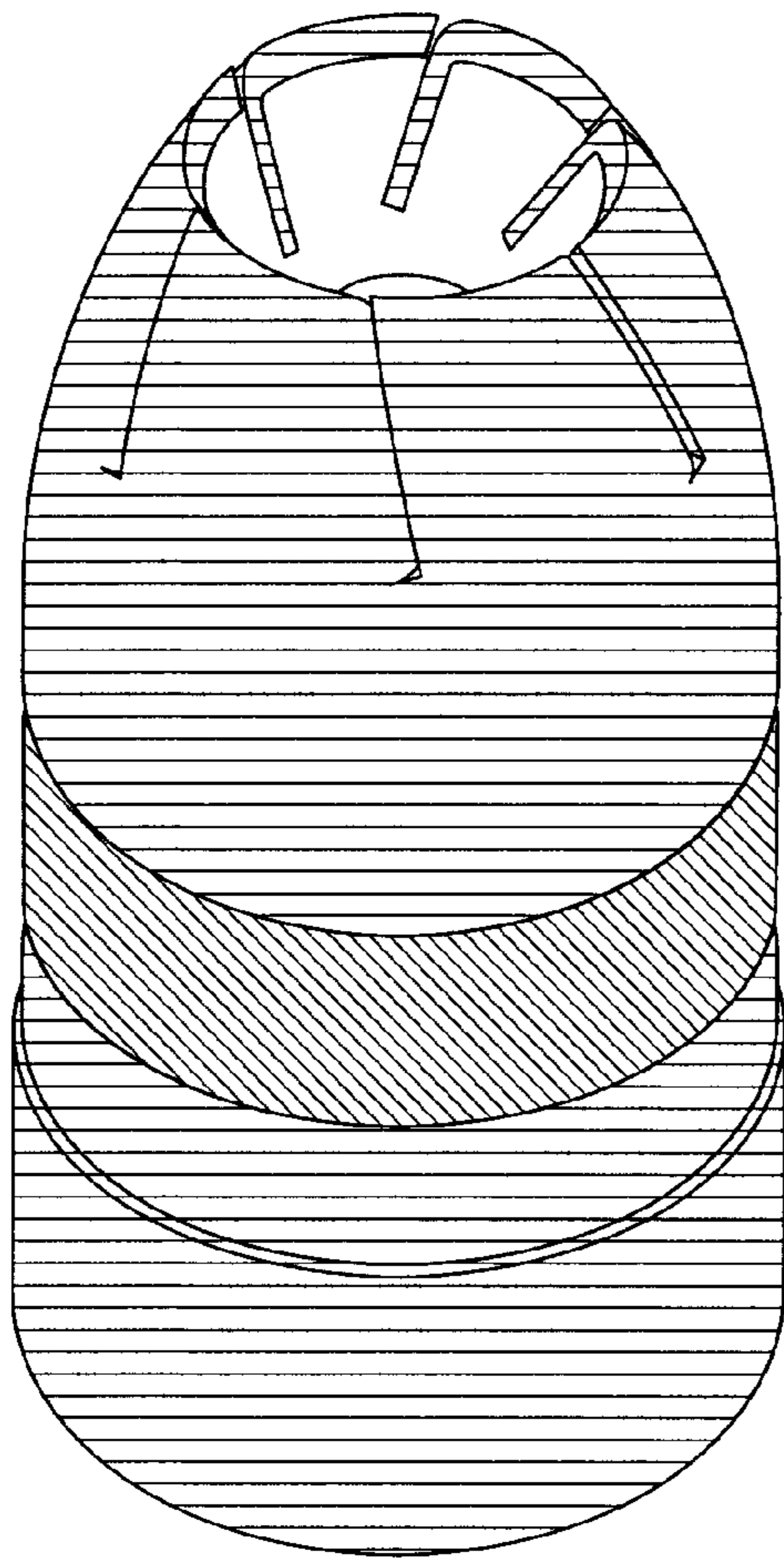


FIG. 9

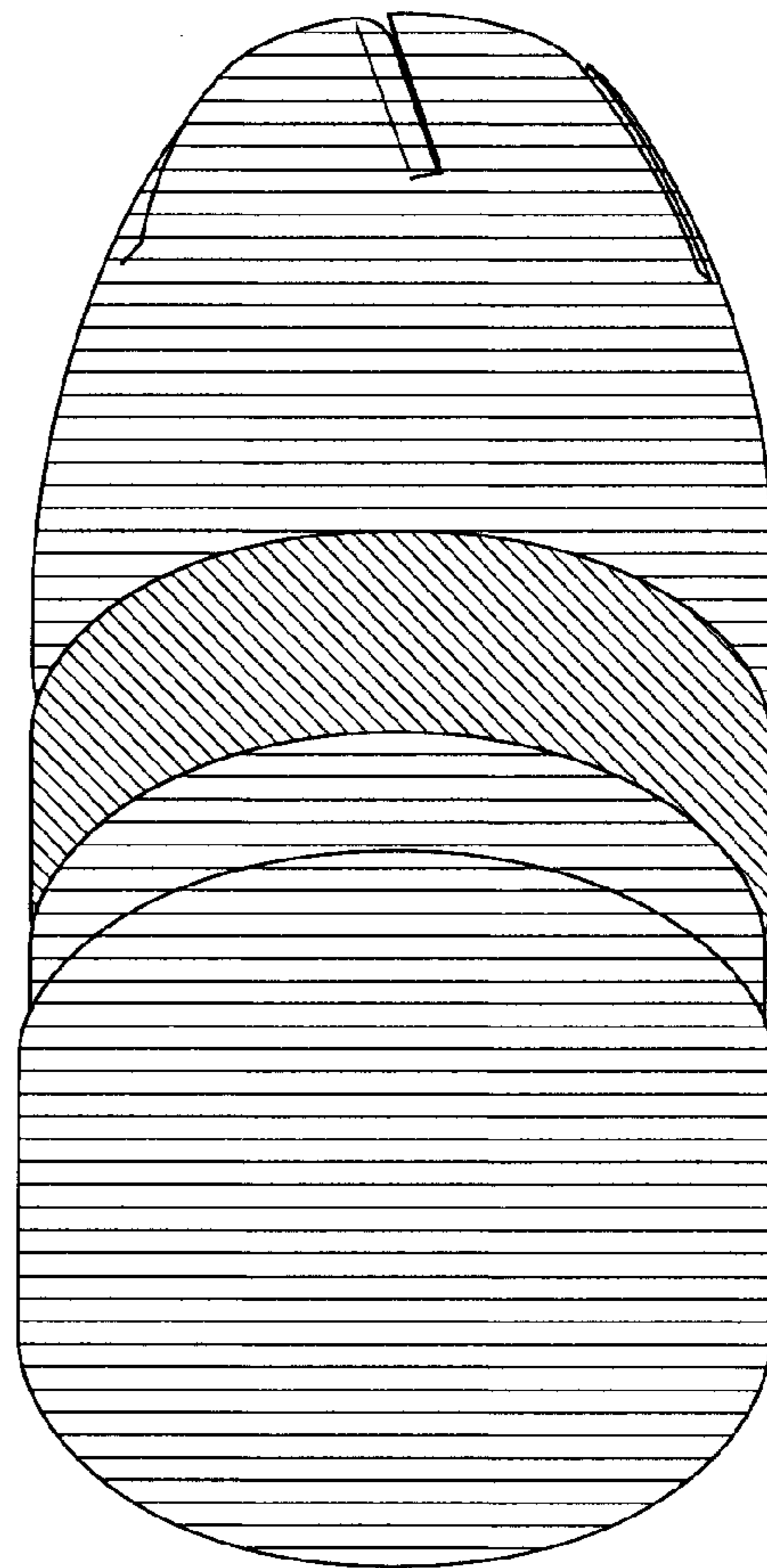


FIG. 10

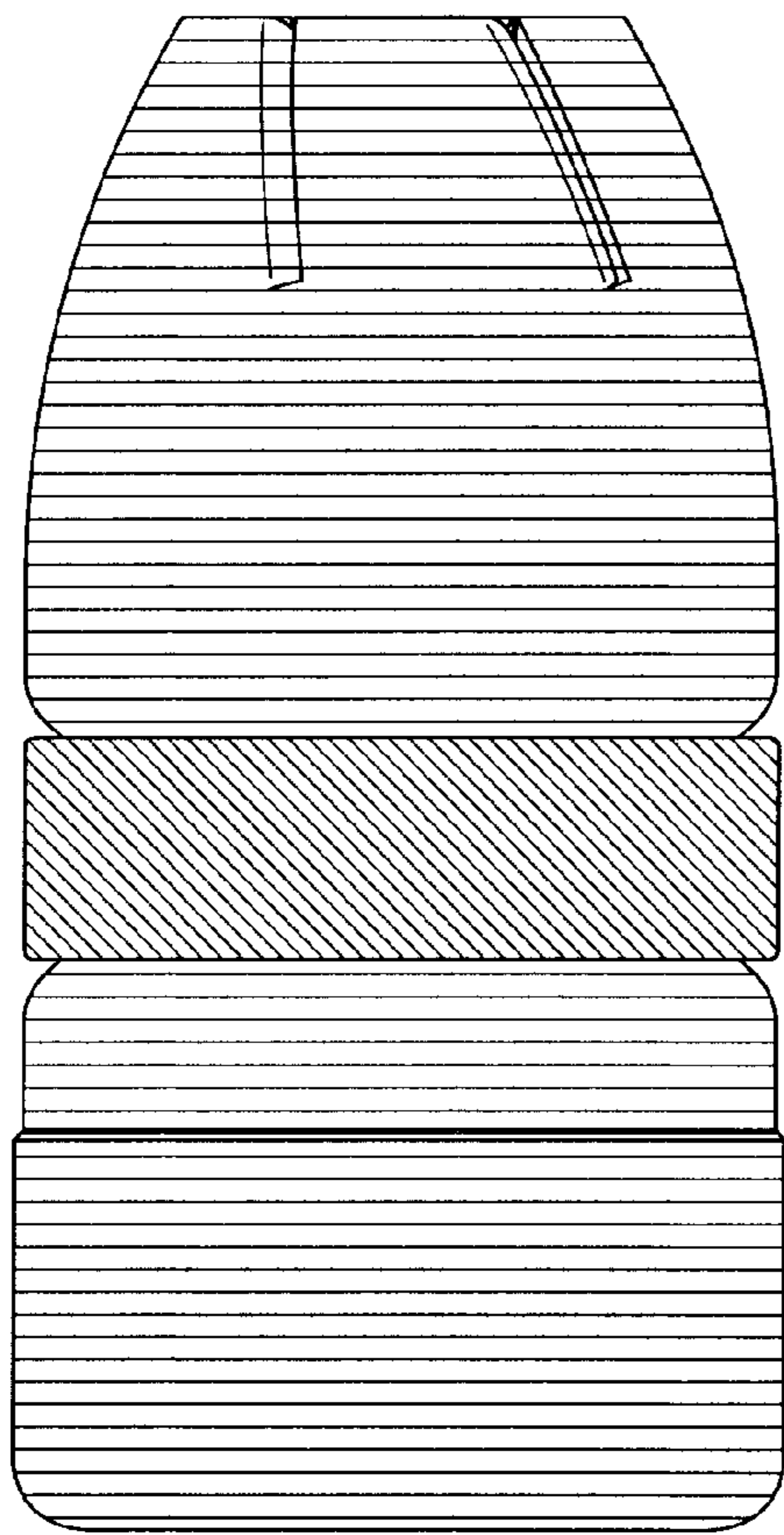


FIG. 11

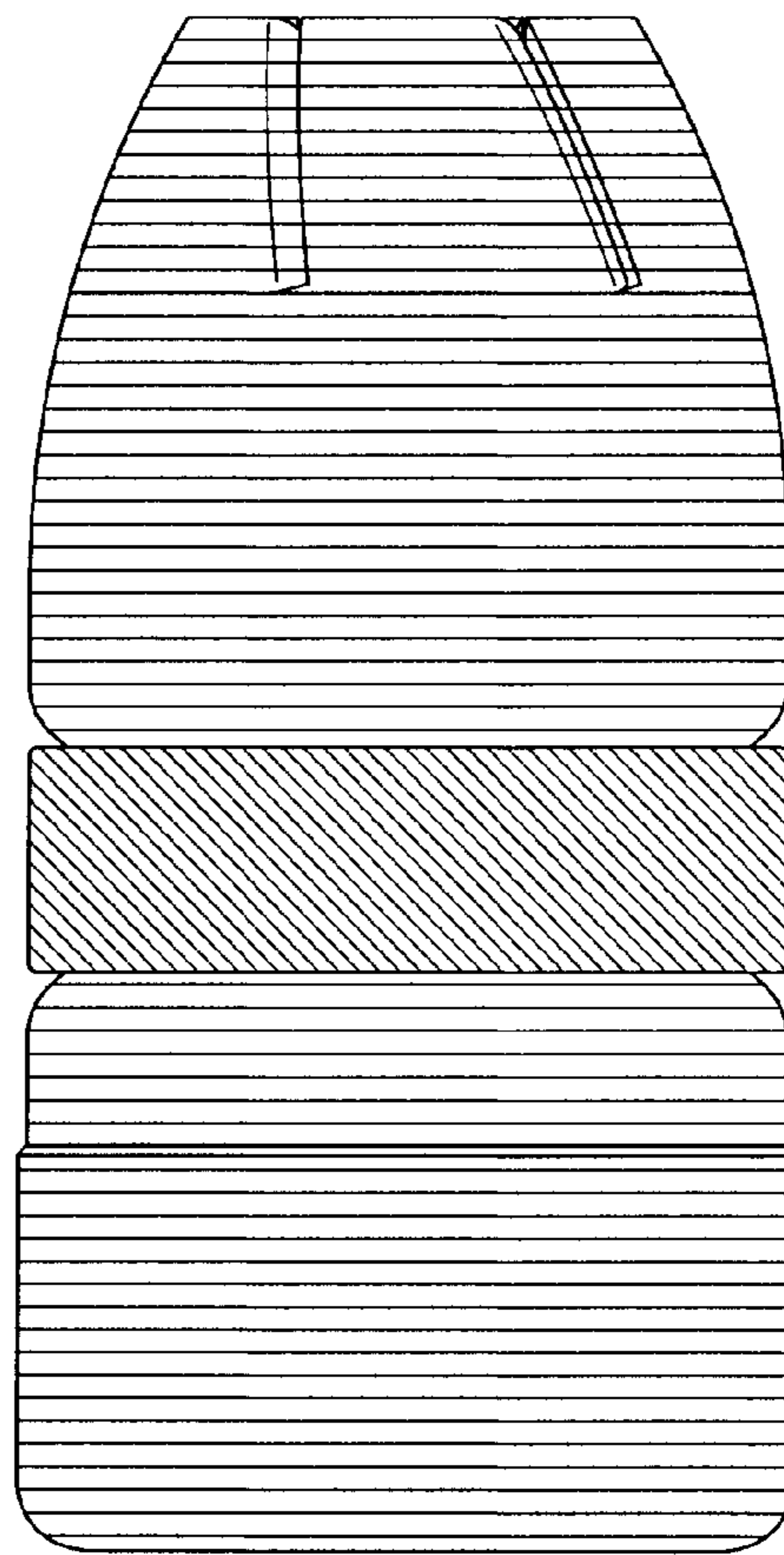


FIG. 12

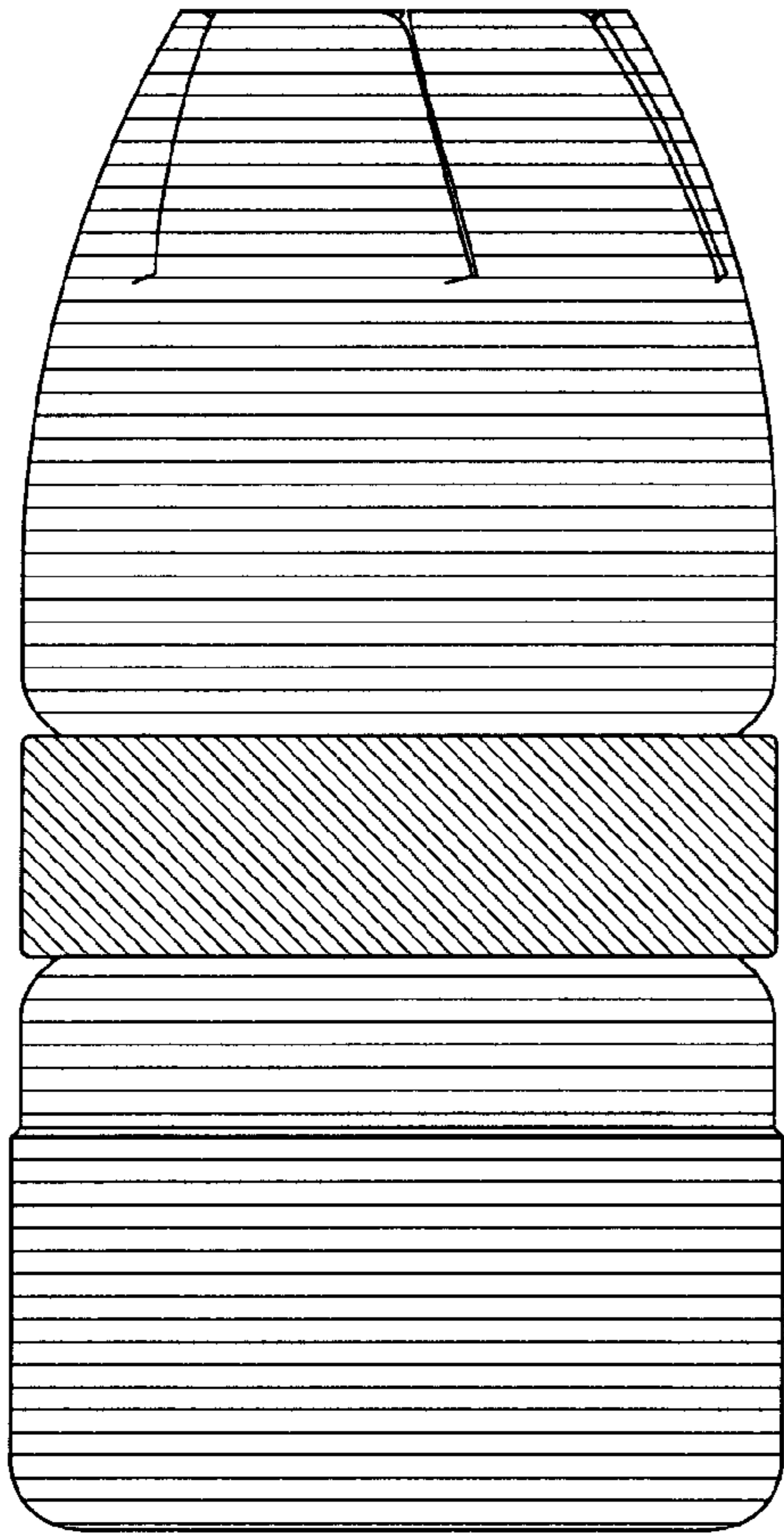


FIG. 13

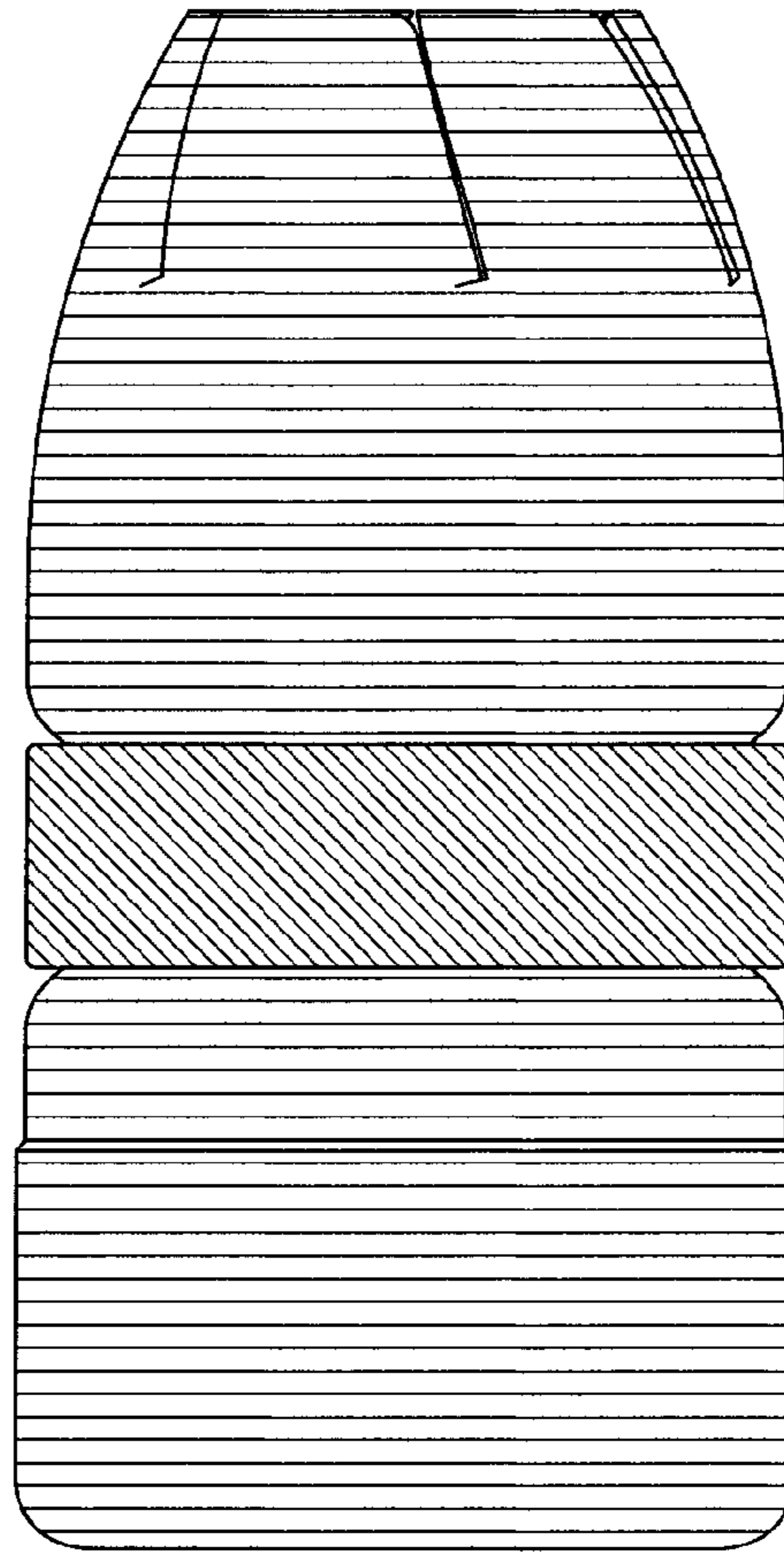


FIG. 14

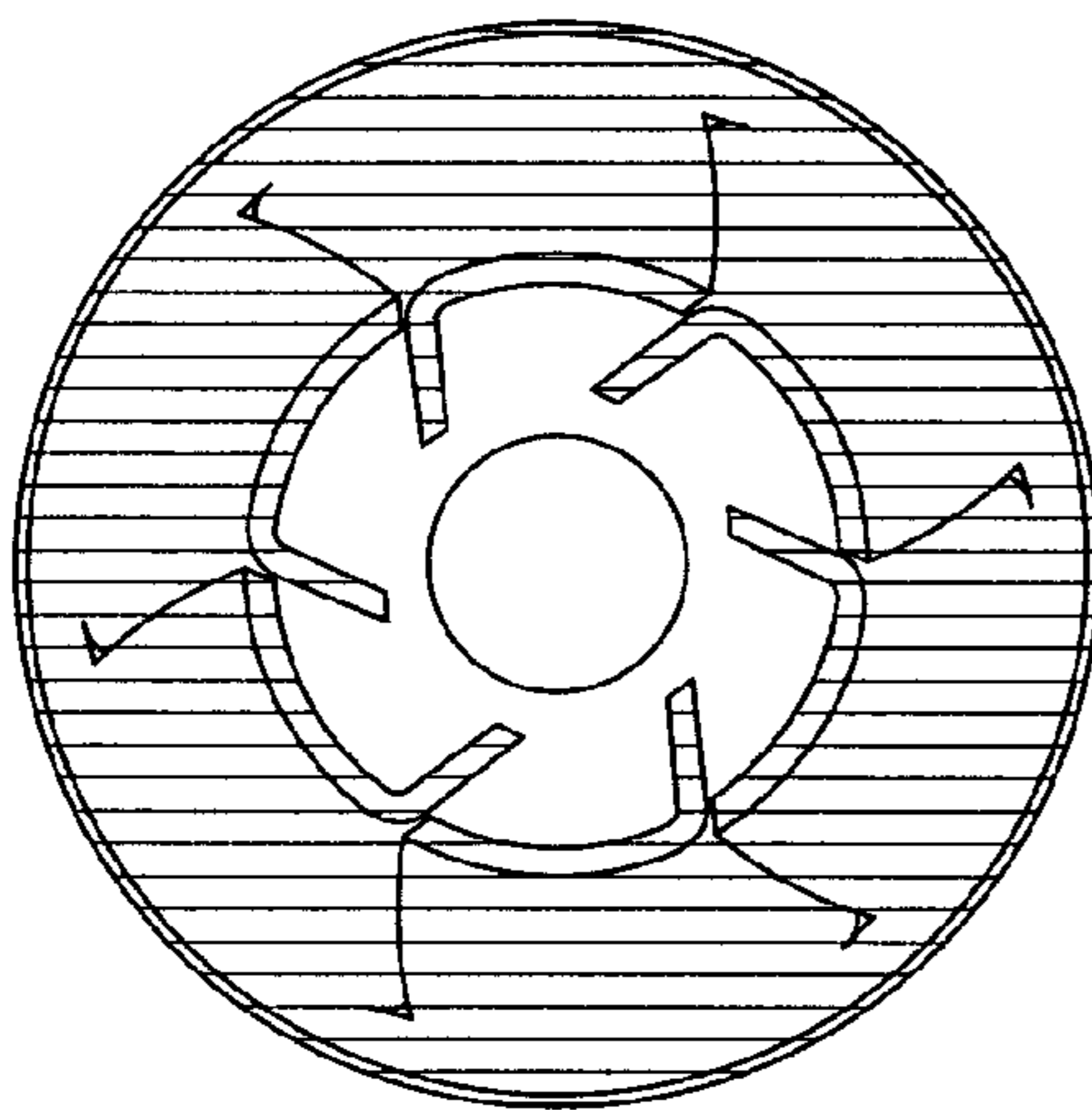


FIG. 15

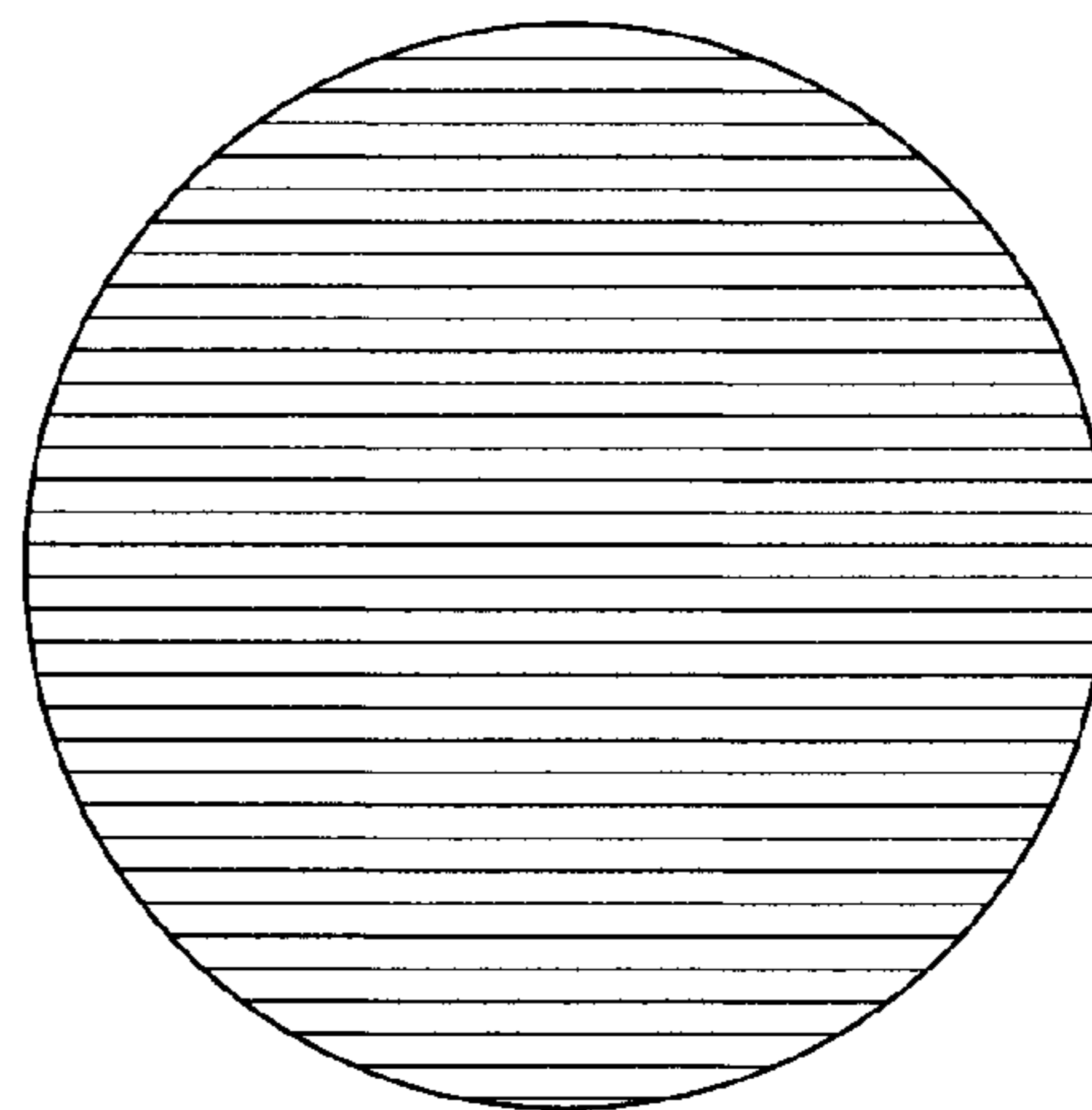


FIG. 16

UNITED STATES PATENT AND TRADEMARK OFFICE
CERTIFICATE OF CORRECTION

PATENT NO. : D733,252 S
APPLICATION NO. : 29/462555
DATED : June 30, 2015
INVENTOR(S) : Burczynski et al.

Page 1 of 2

It is certified that error appears in the above-identified patent and that said Letters Patent is hereby corrected as shown below:

Delete Title Page and replace with the attached Title Page.

Delete the entire DESCRIPTION section and insert:

--Fig. 1 is a top perspective view of a firearm bullet, wherein diagonal hatching designates the color black and horizontal hatching designates a color that is different from the color black, in accordance with the invention;

Fig. 2 is a bottom perspective view of the firearm bullet of Fig. 1;

Fig. 3 is a front elevation view of the firearm bullet of Fig. 1;

Fig. 4 is a rear elevation view of the firearm bullet of Fig. 1;

Fig. 5 is a right elevation view of the firearm bullet of Fig. 1;

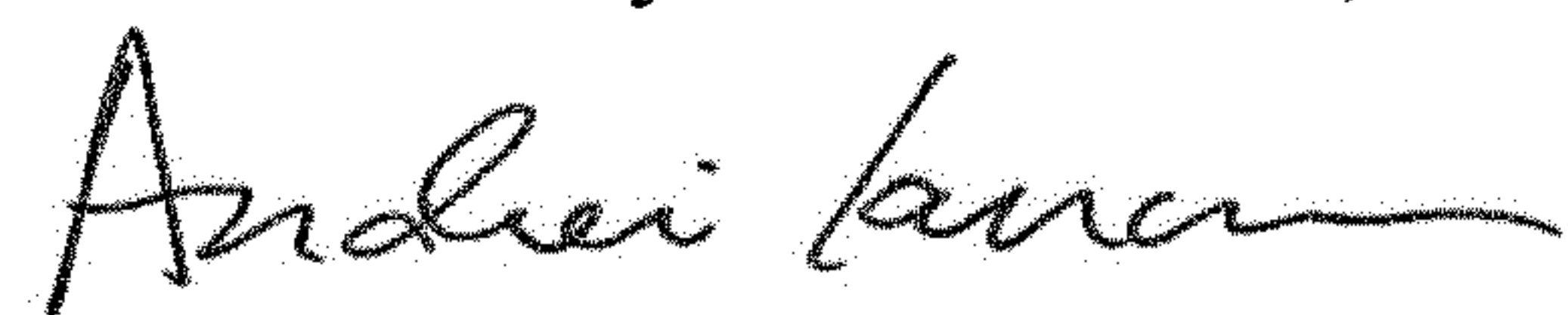
Fig. 6 is a left elevation view of the firearm bullet of Fig. 1;

Fig. 7 is a top plan view of the firearm bullet of Fig. 1; and

Fig. 8 is a bottom plan view of the firearm bullet of Fig. 1.--.

Delete Figs. 9-16 from the Patent.

Signed and Sealed this
Thirteenth Day of November, 2018



Andrei Iancu
Director of the United States Patent and Trademark Office

(12) **United States Design Patent** (10) **Patent No.:** **US D733,252 S**
Bureczynski et al. (45) **Date of Patent:** **** Jun. 30, 2015**

(54) **FIREARM BULLET AND PORTION OF FIREARM CARTRIDGE**

(56) **References Cited**

U.S. PATENT DOCUMENTS

(71) Applicant: **RA Brands, L.L.C., Madison, NC (US)**

1,081,616 A 12/1913 Johnson
 2,696,130 A 12/1954 Peters

(72) Inventors: **Thomas J. Bureczynski, Montour Falls, NY (US); Nick T. Sachse, Oak Ridge, NC (US)**

(Continued)

FOREIGN PATENT DOCUMENTS

(73) Assignee: **RA Brands, L.L.C., Madison, NC (US)**

DE 648039 C 7/1937
 DE 705504 C 4/1941

(**) Term: **14 Years**

(Continued)

OTHER PUBLICATIONS

(21) Appl. No.: **29/462,555**

(22) Filed: **Aug. 6, 2013**

Don Roberts, At Last! Pressure Data for the .30-40 Krag. Handloader: The Journal of Ammunition Reloading, Jul.-Aug. 1976, pp. cover, 4, 38-41, Issue 62, Wolfe Publishing.

(Continued)

Related U.S. Application Data

(63) Continuation-in-part of application No. 13/748,841, filed on Jan. 24, 2013, which is a continuation-in-part of application No. 13/190,972, filed on Jul. 26, 2011, now Pat. No. 8,752,484.

Primary Examiner — Michael A Pratt

(74) *Attorney, Agent, or Firm* — Womble Carlyle Sandridge & Rice, LLP

CLAIM

The ornamental design for a firearm bullet, as shown in the accompanying drawings and described above.

DESCRIPTION

(51) **LOC (10) CL** **22-03**

(52) **U.S. CL**
 USPC **D22/115**

(58) **Field of Classification Search**
 USPC D22/115-116; 102/346, 430, 439, 448, 102/458, 460, 464-468, 471, 501, 506, 508, 102/514, 517, 521; 89/10, 19.5, 23, 25, 89/46-48, 54-55
 CPC F42B 30/02; F42B 8/02; F42B 8/04; F42B 8/06; F42B 7/02; F42B 7/04; F42B 7/06; F42B 7/08; F42B 8/10; F42B 8/12; F42B 5/02; F42B 5/26; F42B 5/28; F42B 5/30; F42B 5/32; F42B 5/34; F42B 5/36; F42B 5/38

FIG. 1 is a top perspective view of a bullet in accordance with the invention;

FIG. 2 is a bottom perspective view of the bullet of FIG. 1; FIG. 3 is a front elevation view of the bullet of FIG. 1; FIG. 4 is a rear elevation view of the bullet of FIG. 1; FIG. 5 is a right elevation view of the bullet of FIG. 1; FIG. 6 is a left elevation view of the bullet of FIG. 1; FIG. 7 is a top plan view of the bullet of FIG. 1; FIG. 8 is a bottom plan view of the bullet of FIG. 1; and, FIGS. 9-16 are respectively like FIGS. 1-8 except that shading is not shown, and the diagonal hatching designates a contrast and the horizontal hatching designates a contrast that is different from the contrast designated by the diagonal hatching in accordance with the invention.

See application file for complete search history.

1 Claim, 3 Drawing Sheets

