



US00D733251S

(12) **United States Design Patent**
Hu

(10) **Patent No.:** **US D733,251 S**
(45) **Date of Patent:** **** Jun. 30, 2015**

- (54) **REAR SIGHT FOR A FIREARM**
- (71) Applicant: **Shih-Che Hu**, Tainan (TW)
- (72) Inventor: **Shih-Che Hu**, Tainan (TW)
- (**) Term: **14 Years**
- (21) Appl. No.: **29/482,237**
- (22) Filed: **Feb. 16, 2014**
- (51) **LOC (10) Cl.** **22-01**
- (52) **U.S. Cl.**
USPC **D22/109**
- (58) **Field of Classification Search**
USPC D22/108–109; 89/111–113; 359/399,
359/823, 744; 42/104, 105, 111–113, 116,
42/120, 124–126, 127–129, 141–148,
42/133–140; 33/227, 229
CPC F41G 1/00; F41G 1/01; F41G 1/02;
F41G 1/06; F41G 1/065; F41G 1/08; F41G
1/10; F41G 1/12; F41G 1/14; F41G 1/30;
F41G 1/32; F41G 1/38; F41G 1/40; F41G
1/42; F41G 1/44; F41G 1/46; F41G 1/383;
F41G 1/387; F41G 1/393; F41G 3/00; F41G
3/005; F41G 3/02; F41G 3/04; F41G 3/06;
F41G 3/14; F41G 11/002; F41G 11/003;
F41G 11/004; F41G 11/005
See application file for complete search history.

D637,261	S	*	5/2011	Swan	D22/109
8,015,744	B1	*	9/2011	Swan	42/147
D647,158	S	*	10/2011	Dueck	D22/109
D657,013	S	*	4/2012	Swan	D22/109
D704,792	S	*	5/2014	Fitzpatrick et al.	D22/108
D724,691	S	*	3/2015	Barfoot et al.	D22/109

* cited by examiner

Primary Examiner — Michael A Pratt
(74) *Attorney, Agent, or Firm* — Raymond Y. Chan; David and Raymond Patent Firm

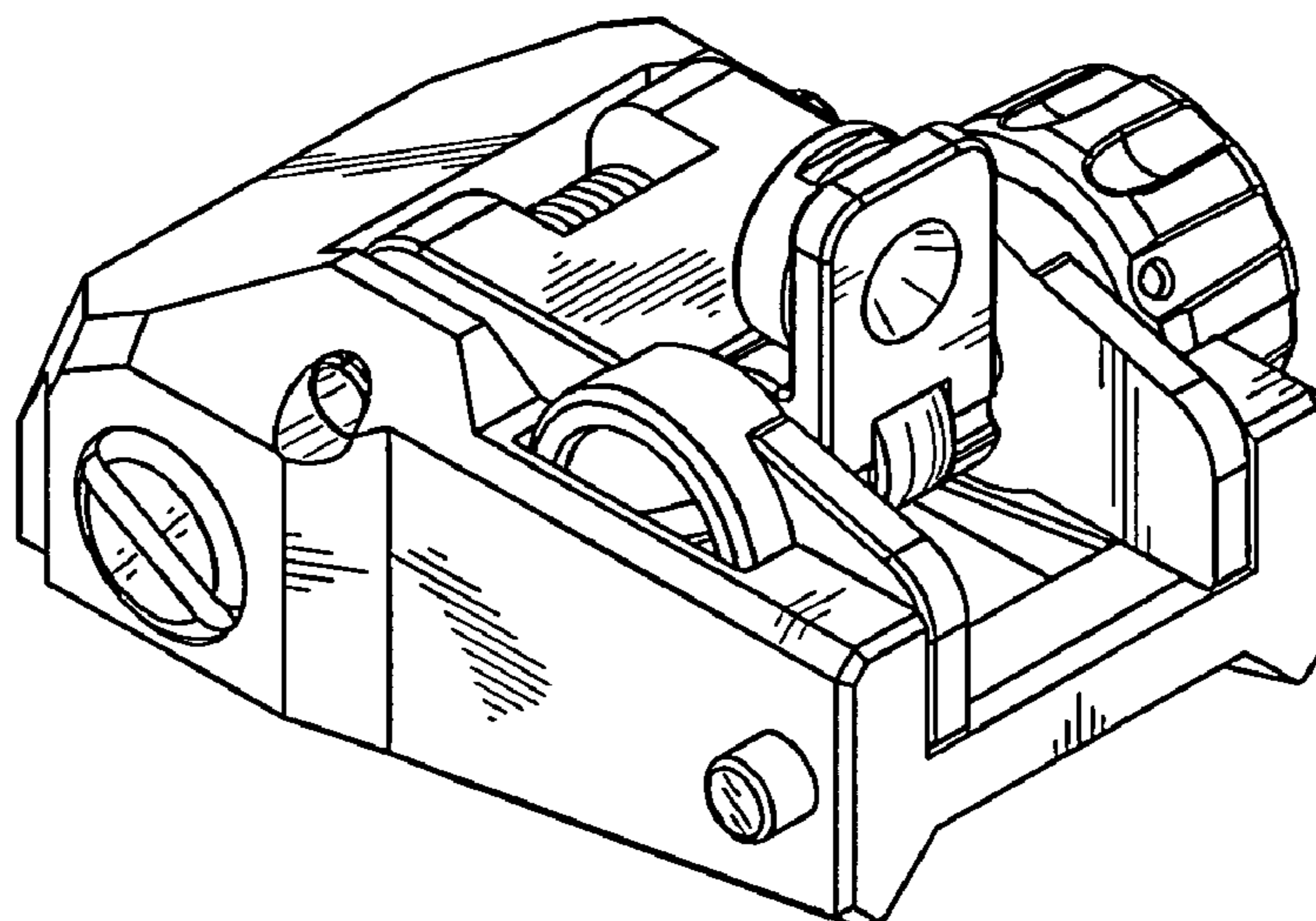
(57) **CLAIM**
The ornamental design for a rear sight for a firearm, as shown and described.

DESCRIPTION

FIG. 1 is a perspective view of rear sight for a firearm showing my new design.
 FIG. 2 is a left view thereof.
 FIG. 3 is a right view thereof.
 FIG. 4 is a front view thereof.
 FIG. 5 is a rear view thereof.
 FIG. 6 is a top view thereof.
 FIG. 7 is a bottom view thereof.
 FIG. 8 is another perspective view of my new design.
 FIG. 9 is a referential operational perspective view showing an open position of my new design.
 FIG. 10 is a referential operational perspective view showing an open position of my new design with a rear sight in position; and,
 FIG. 11 is another referential operational perspective view showing an open position of my new design with a rear sight in position.

1 Claim, 6 Drawing Sheets

- (56) **References Cited**
U.S. PATENT DOCUMENTS
7,356,962 B2 * 4/2008 Swan 42/147
D635,634 S * 4/2011 Swan D22/109
D637,259 S * 5/2011 Swan D22/109



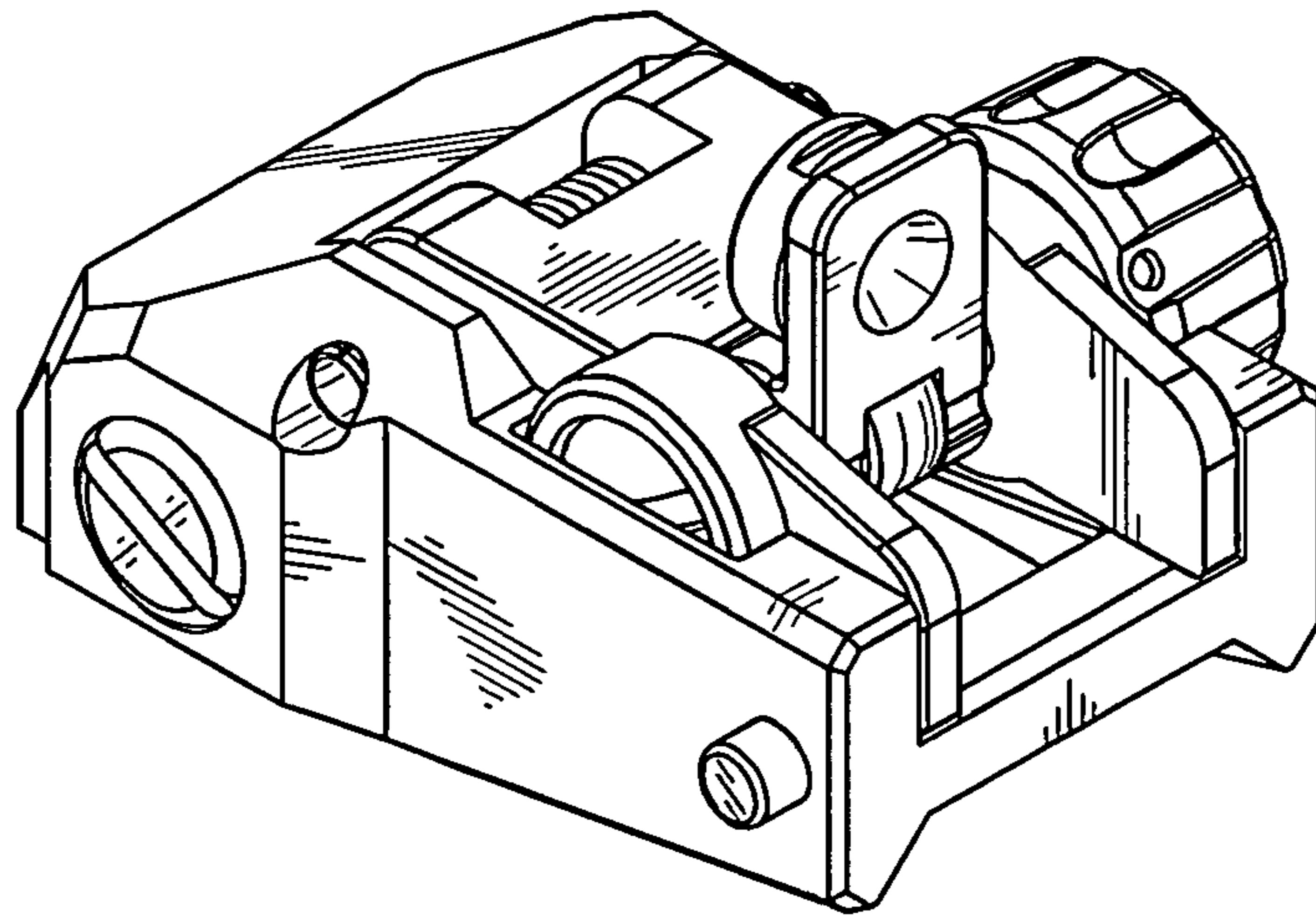


FIG. 1

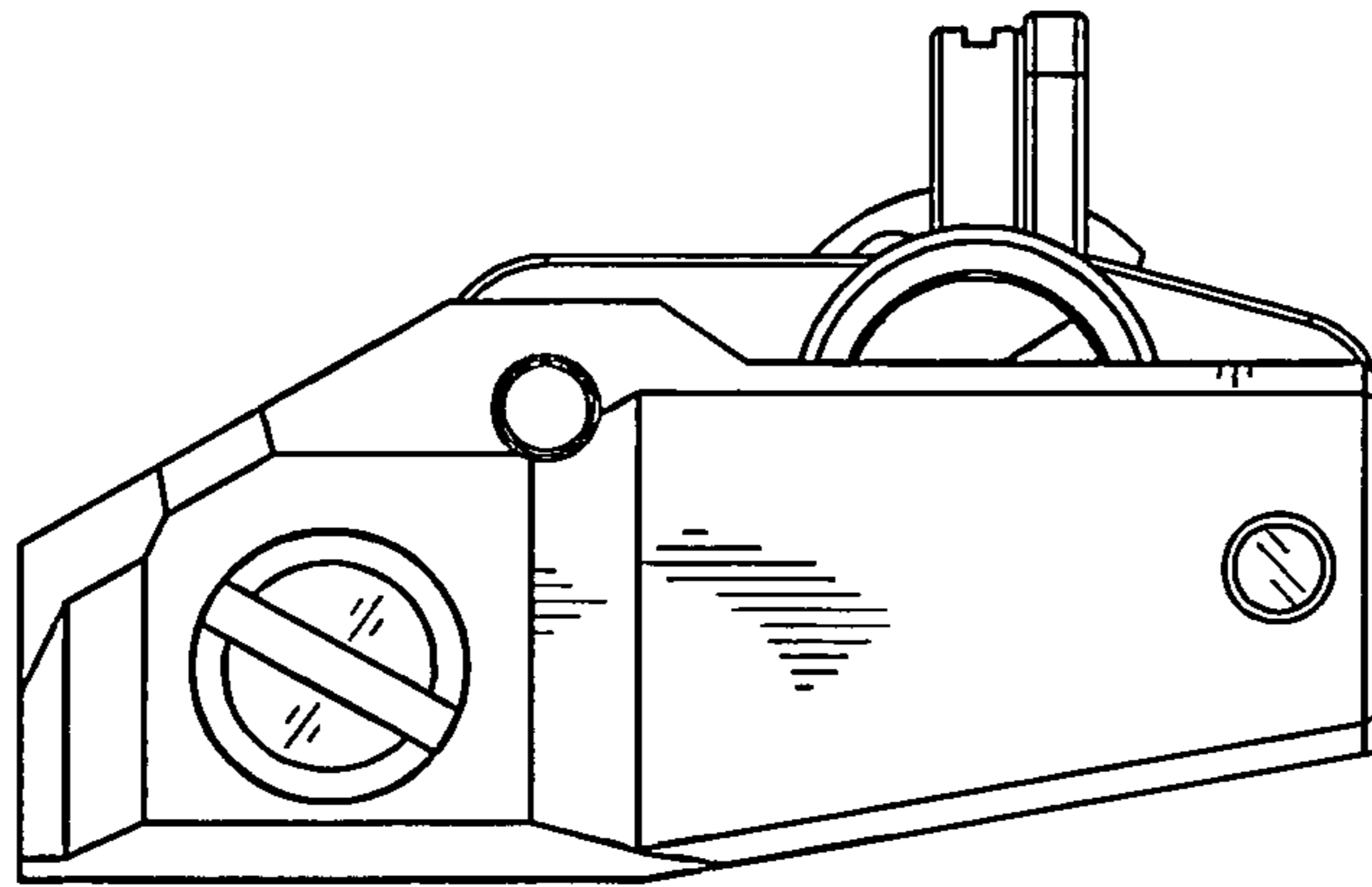


FIG. 2

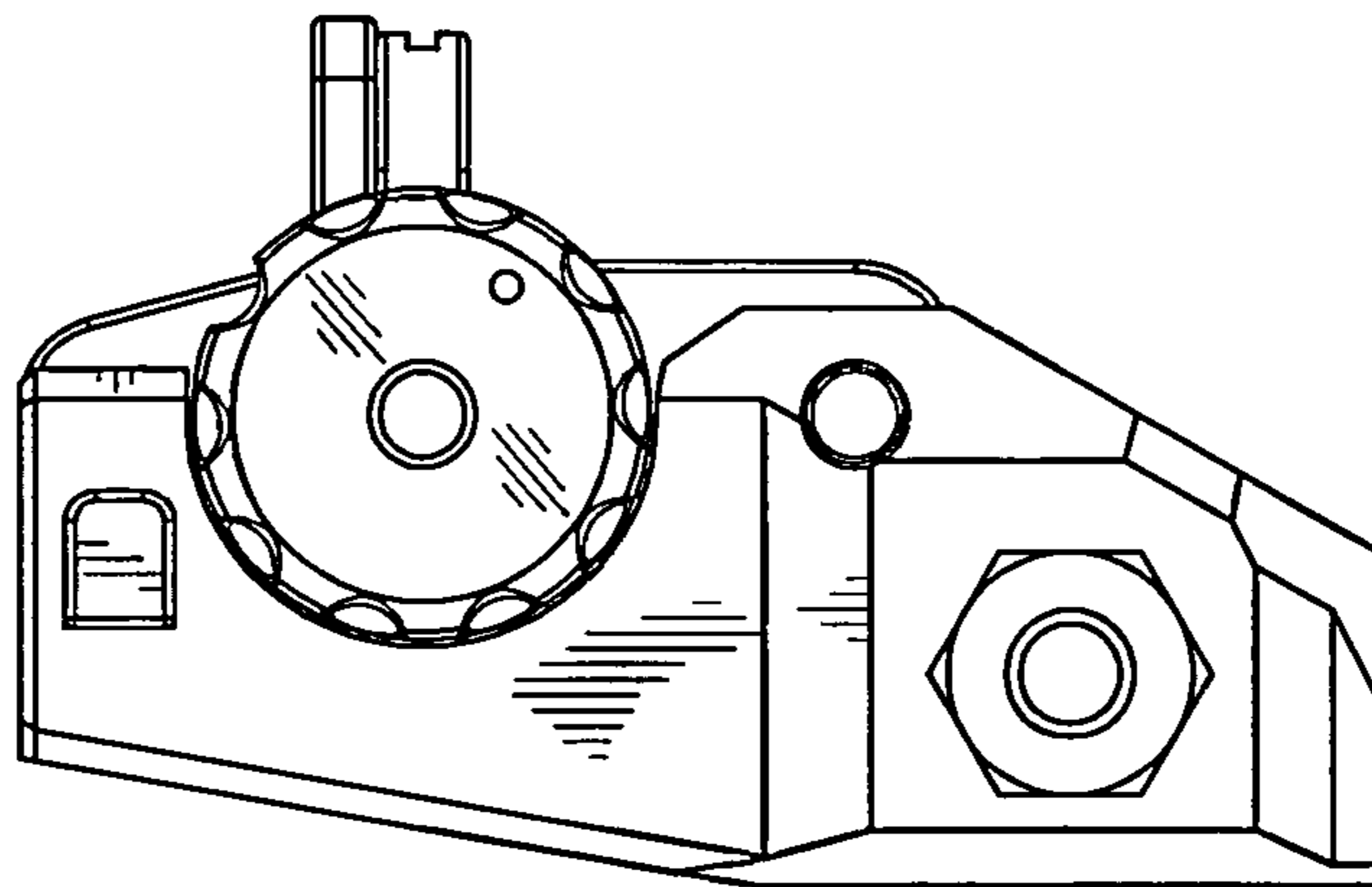


FIG. 3

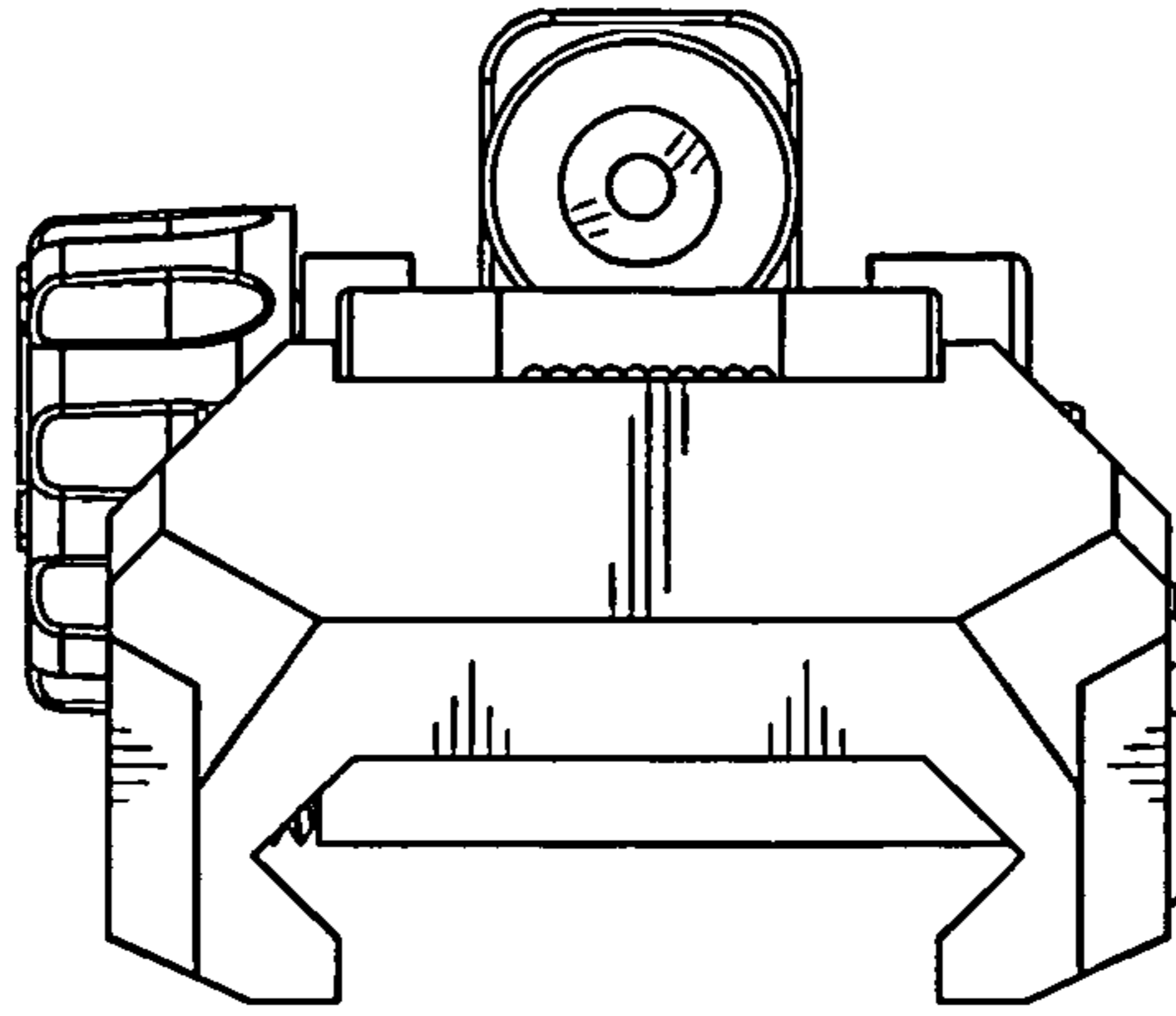


FIG. 4

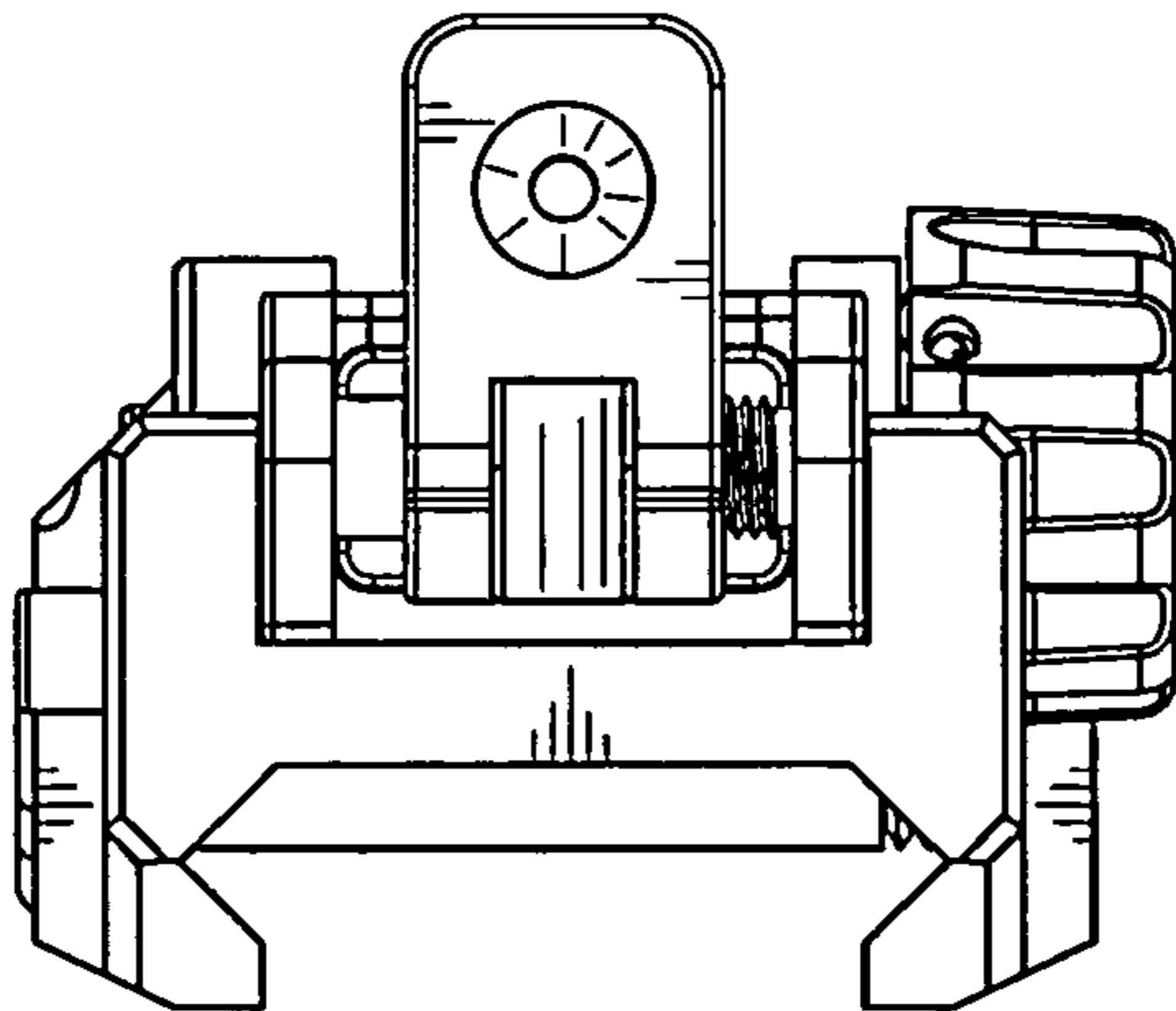


FIG. 5

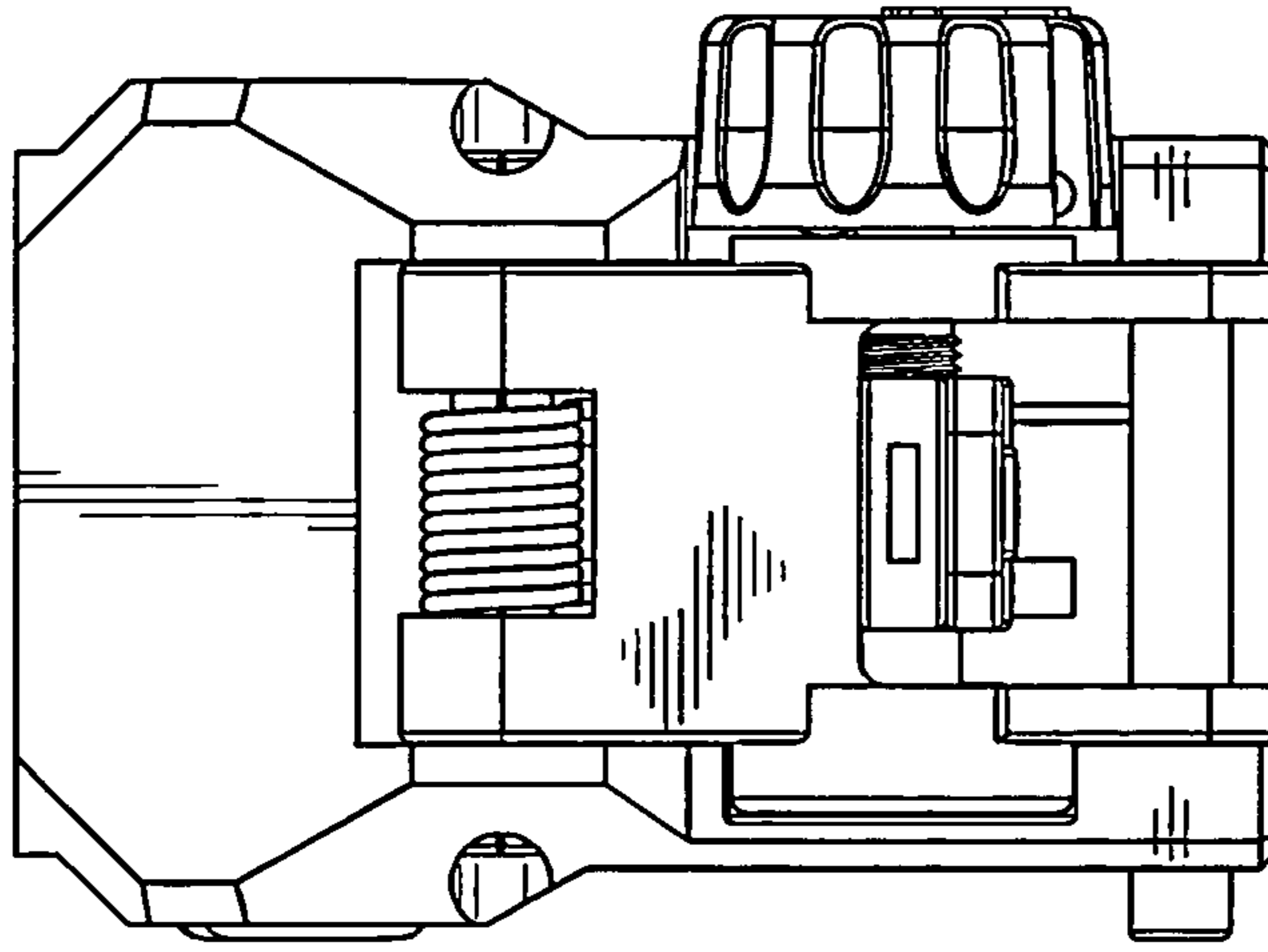


FIG. 6

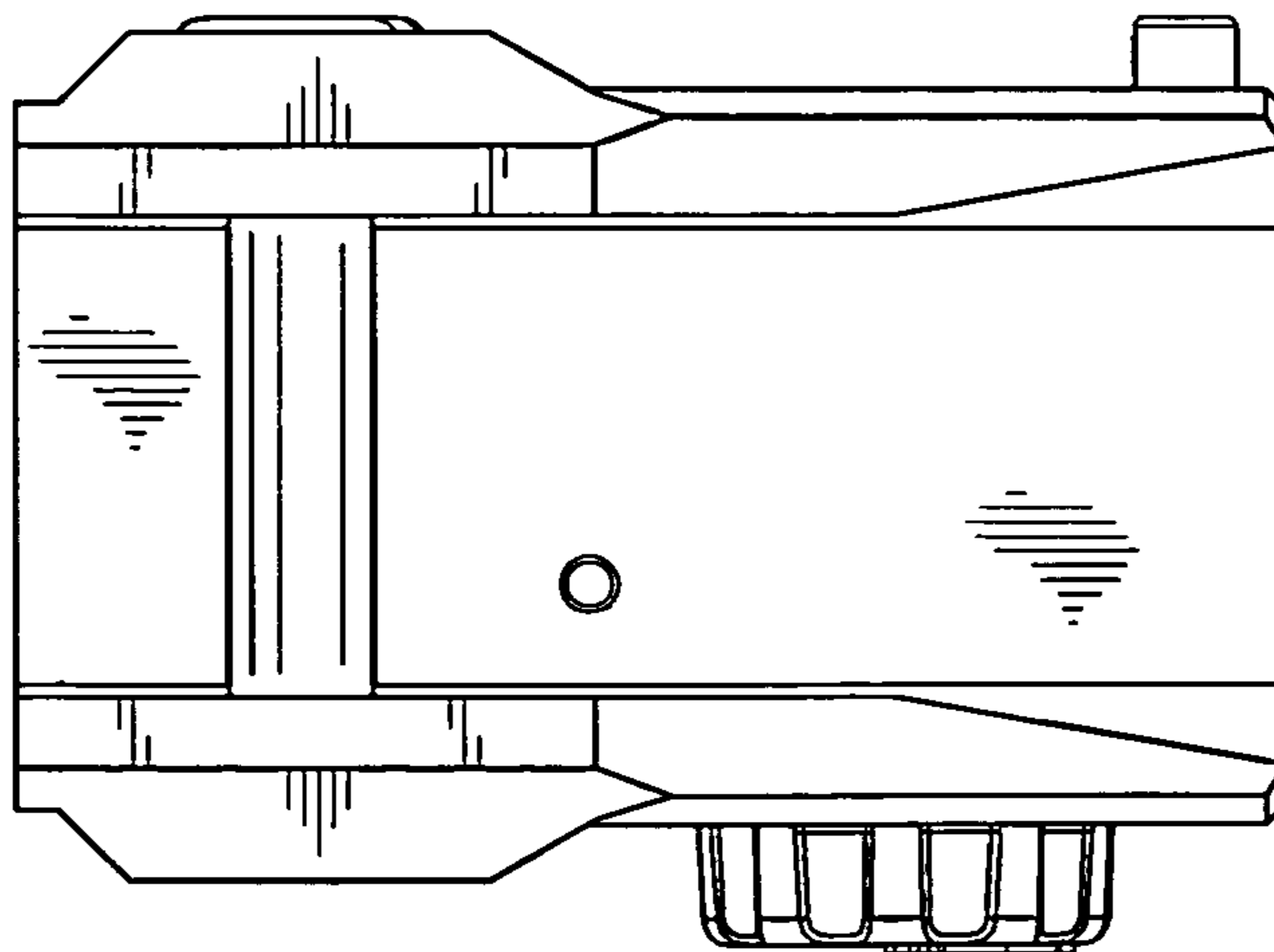


FIG. 7

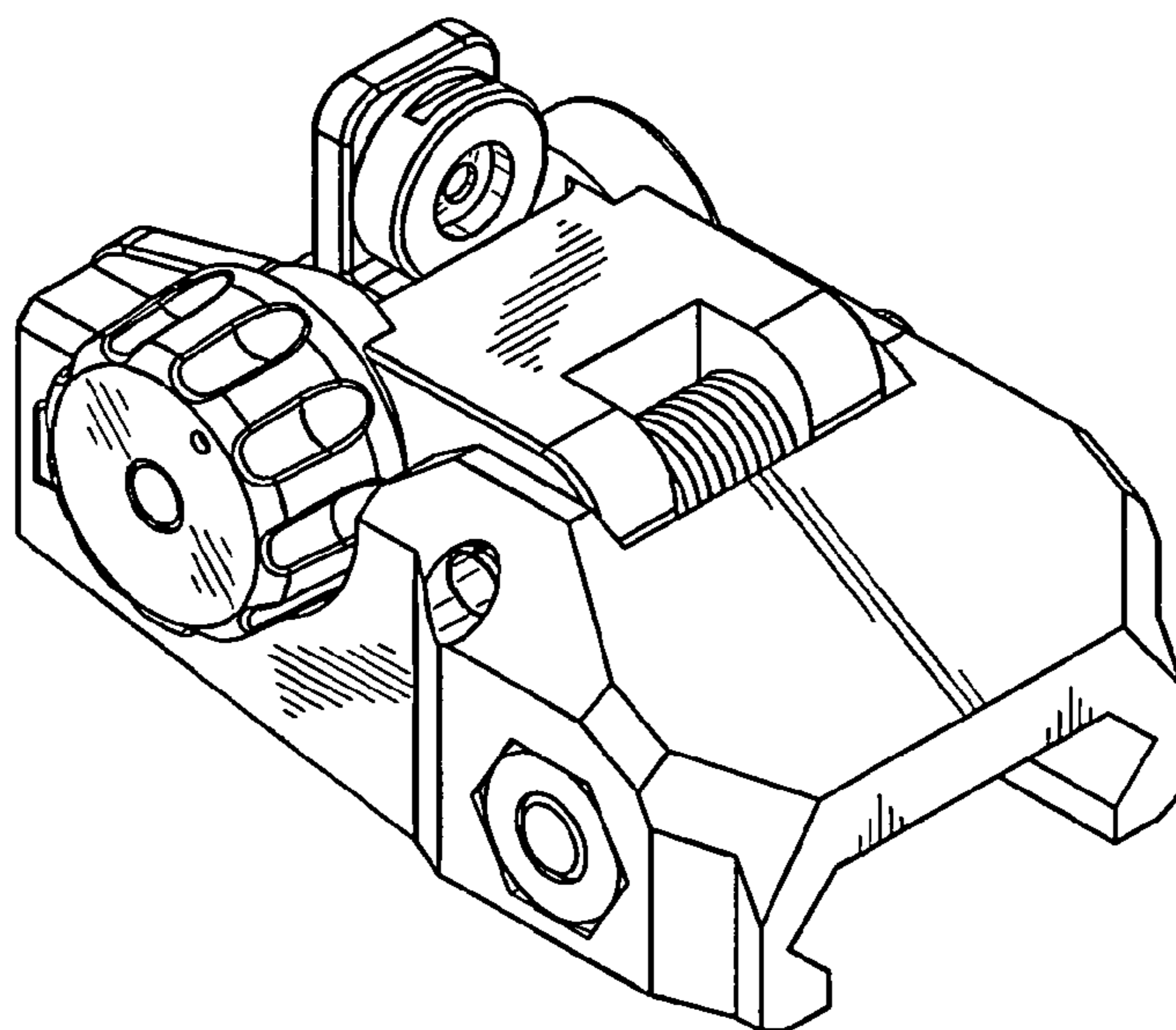


FIG. 8

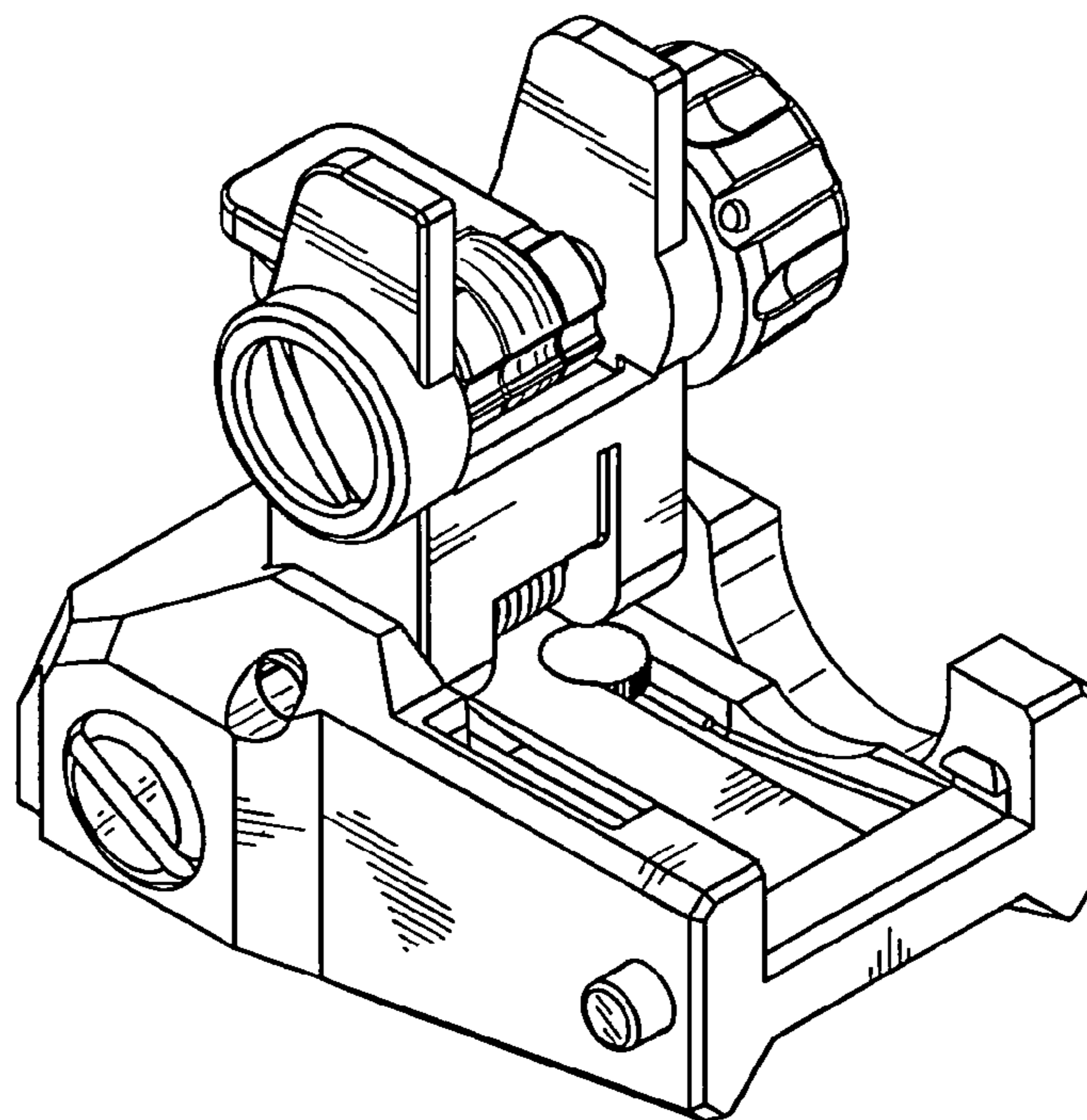


FIG. 9

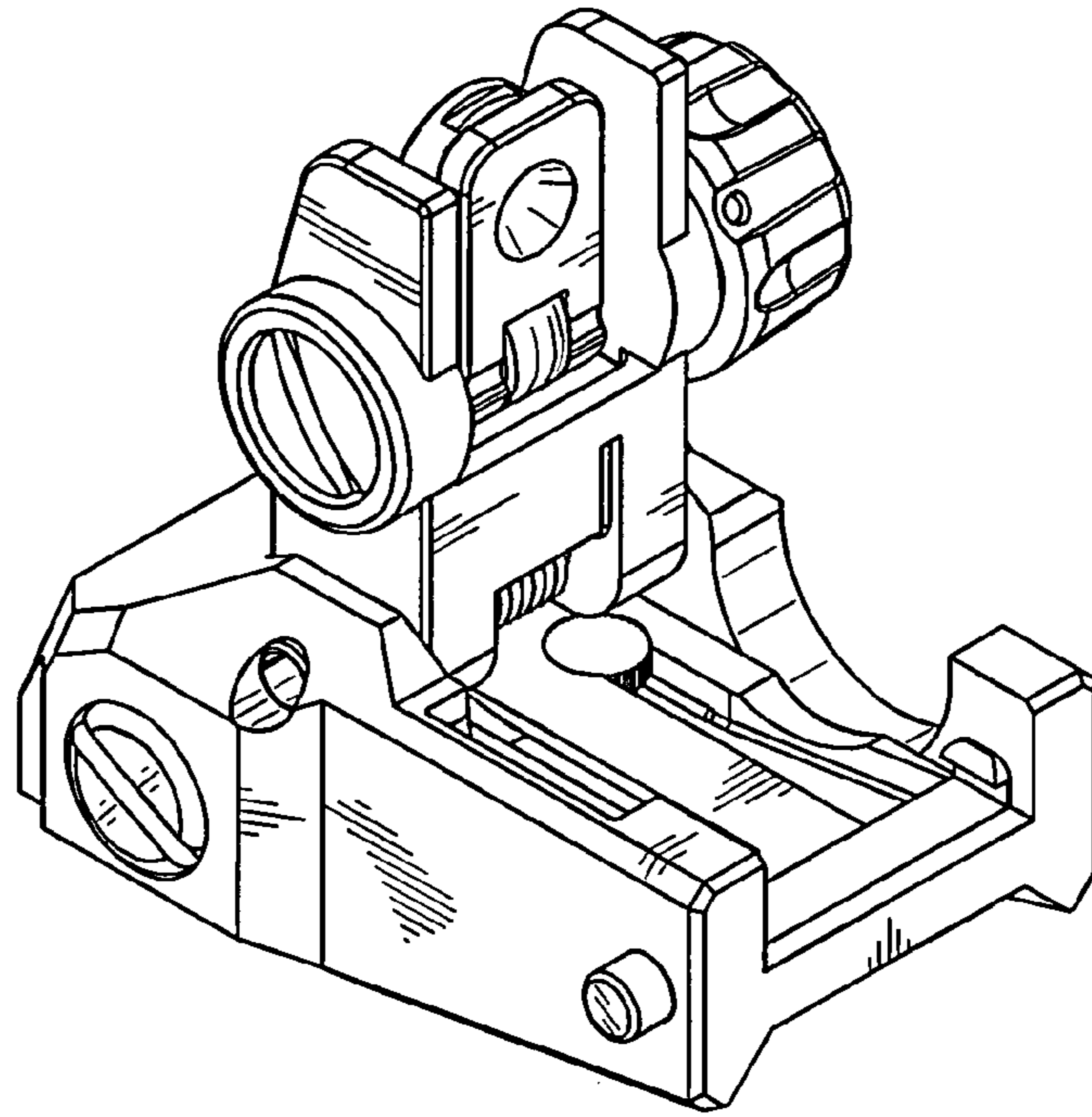


FIG. 10

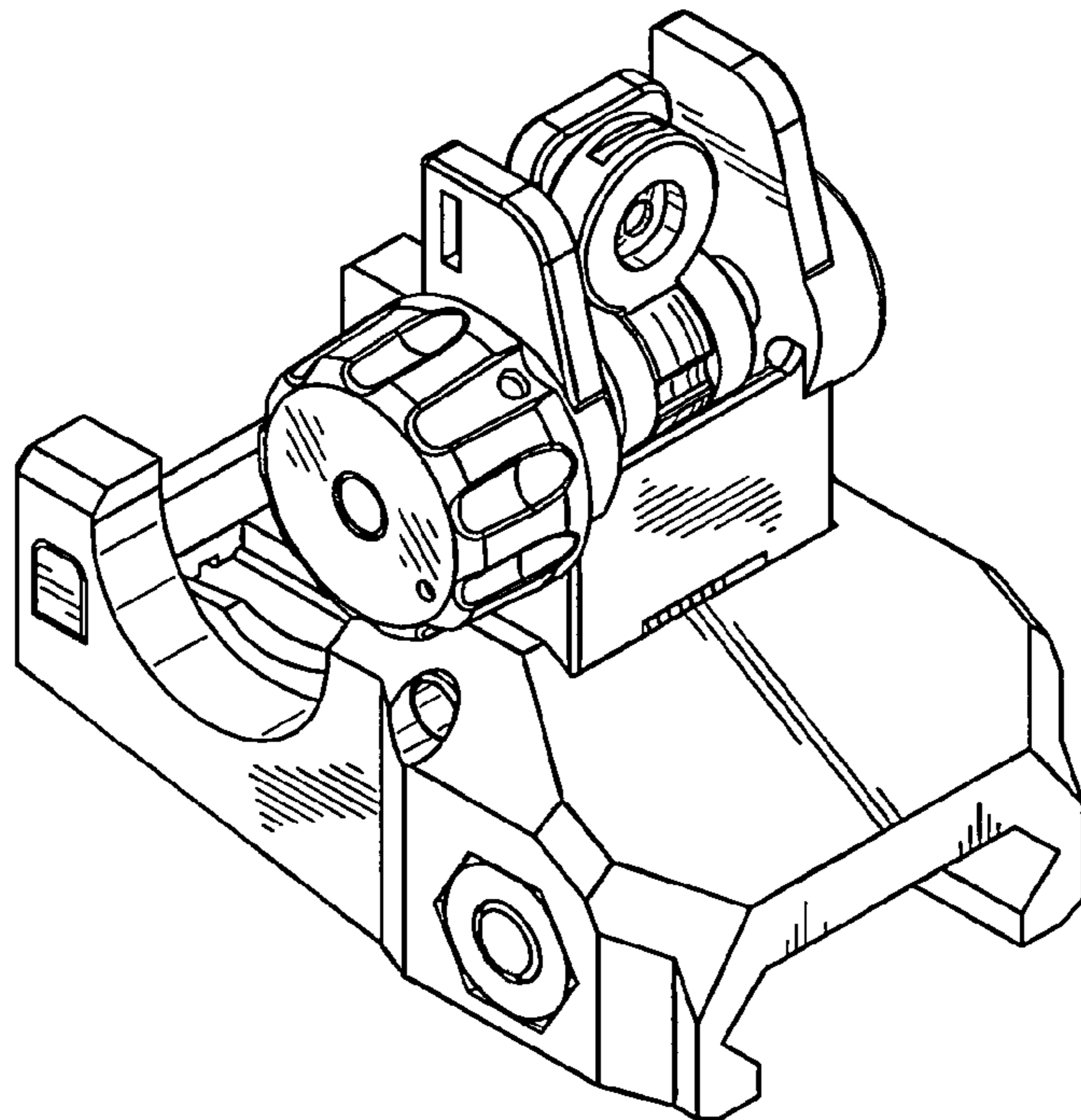


FIG. 11