



US00D733250S

(12) **United States Design Patent**
Hu

(10) **Patent No.:** **US D733,250 S**

(45) **Date of Patent:** **** Jun. 30, 2015**

(54) **FRONT SIGHT FOR A FIREARM**

(71) Applicant: **Shih-Che Hu**, Tainan (TW)

(72) Inventor: **Shih-Che Hu**, Tainan (TW)

(**) Term: **14 Years**

(21) Appl. No.: **29/482,236**

(22) Filed: **Feb. 16, 2014**

(51) **LOC (10) Cl.** **22-01**

(52) **U.S. Cl.**
USPC **D22/109**

(58) **Field of Classification Search**
USPC D22/108–109; 89/111–113; 359/399,
359/823, 744; 42/104, 105, 111–113, 116,
42/120, 124–126, 127–129, 141–148,
42/133–140; 33/227, 229
CPC F41G 1/00; F41G 1/01; F41G 1/02;
F41G 1/06; F41G 1/065; F41G 1/08; F41G
1/10; F41G 1/12; F41G 1/14; F41G 1/30;
F41G 1/32; F41G 1/38; F41G 1/40; F41G
1/42; F41G 1/44; F41G 1/46; F41G 1/383;
F41G 1/387; F41G 1/393; F41G 3/00; F41G
3/005; F41G 3/02; F41G 3/04; F41G 3/06;
F41G 3/14; F41G 11/002; F41G 11/003;
F41G 11/004; F41G 11/005

See application file for complete search history.

(56) **References Cited**

U.S. PATENT DOCUMENTS

7,356,962 B2 * 4/2008 Swan 42/147
D615,144 S * 5/2010 Mayberry et al. D22/109

D635,634 S * 4/2011 Swan D22/109
D637,259 S * 5/2011 Swan D22/109
D637,261 S * 5/2011 Swan D22/109
8,015,744 B1 * 9/2011 Swan 42/147
D647,158 S * 10/2011 Dueck D22/109
D657,013 S * 4/2012 Swan D22/109
8,484,882 B2 * 7/2013 Haley et al. 42/132
D704,792 S * 5/2014 Fitzpatrick et al. D22/108
D705,890 S * 5/2014 Fitzpatrick et al. D22/109
D724,691 S * 3/2015 Barfoot et al. D22/109
2012/0180370 A1 * 7/2012 McKinley 42/146

* cited by examiner

Primary Examiner — Michael A Pratt

(74) *Attorney, Agent, or Firm* — Raymond Y. Chan; David
and Raymond Patent Firm

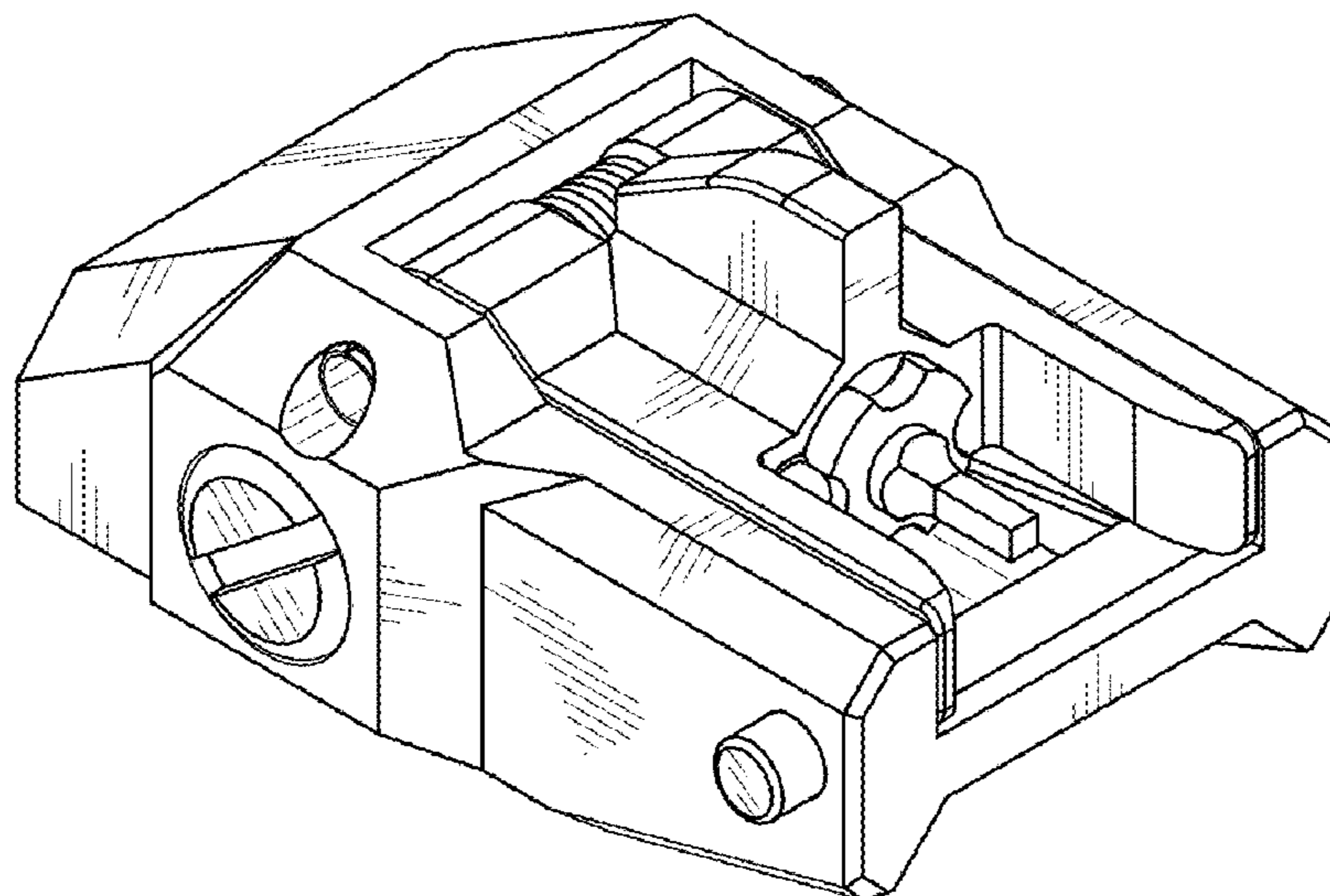
(57) **CLAIM**

The ornamental design for a front sight for a firearm, as shown
and described.

DESCRIPTION

FIG. 1 is a perspective view of front sight for a firearm
showing my new design.
FIG. 2 is a left view thereof.
FIG. 3 is a right view thereof.
FIG. 4 is a front view thereof.
FIG. 5 is a rear view thereof.
FIG. 6 is a top view thereof.
FIG. 7 is a bottom view thereof.
FIG. 8 is another perspective view of my new design.
FIG. 9 is a referential operational perspective view showing
an open position of my new design; and,
FIG. 10 is another referential operational perspective view
showing an open position of my new design.

1 Claim, 6 Drawing Sheets



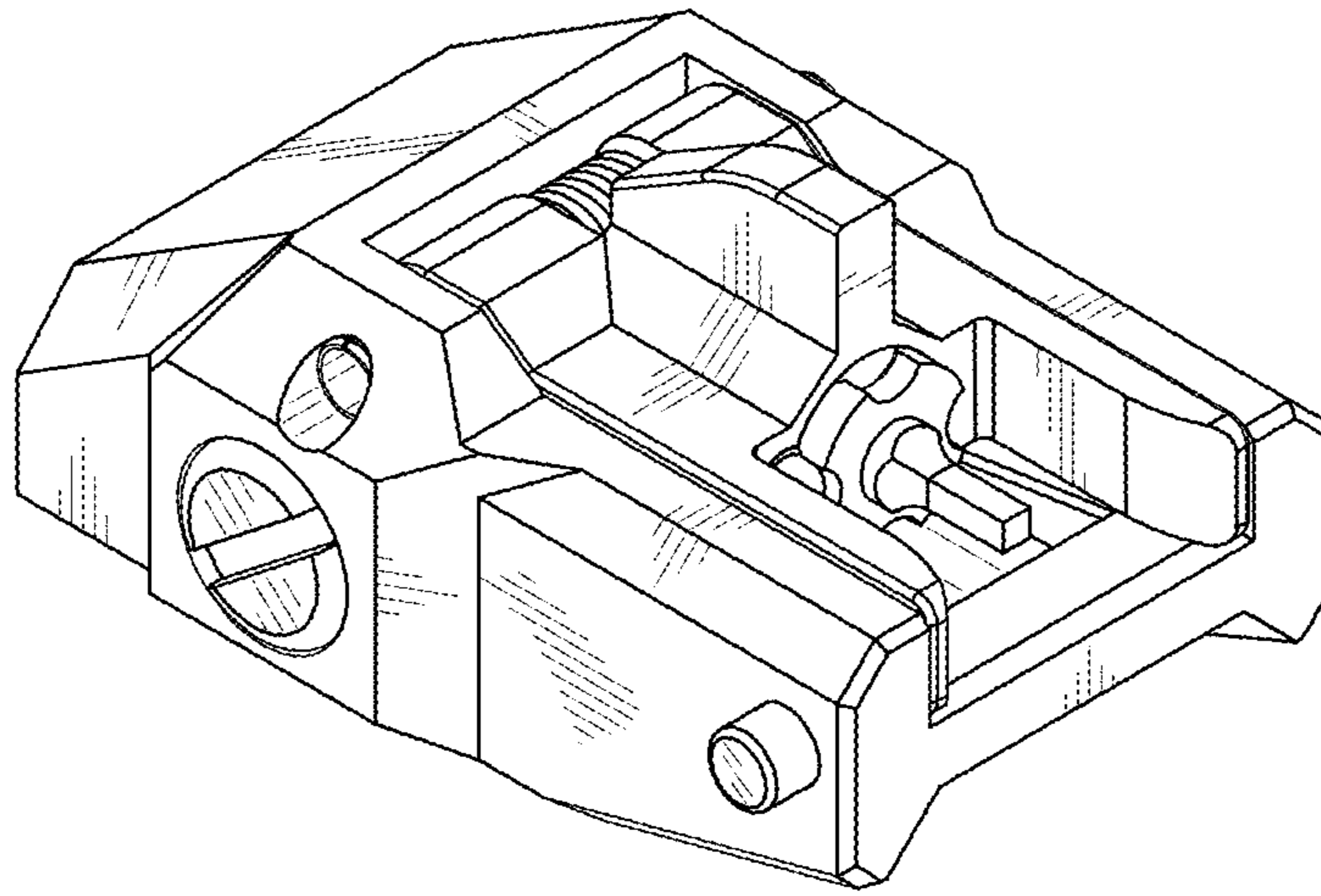


FIG. 1

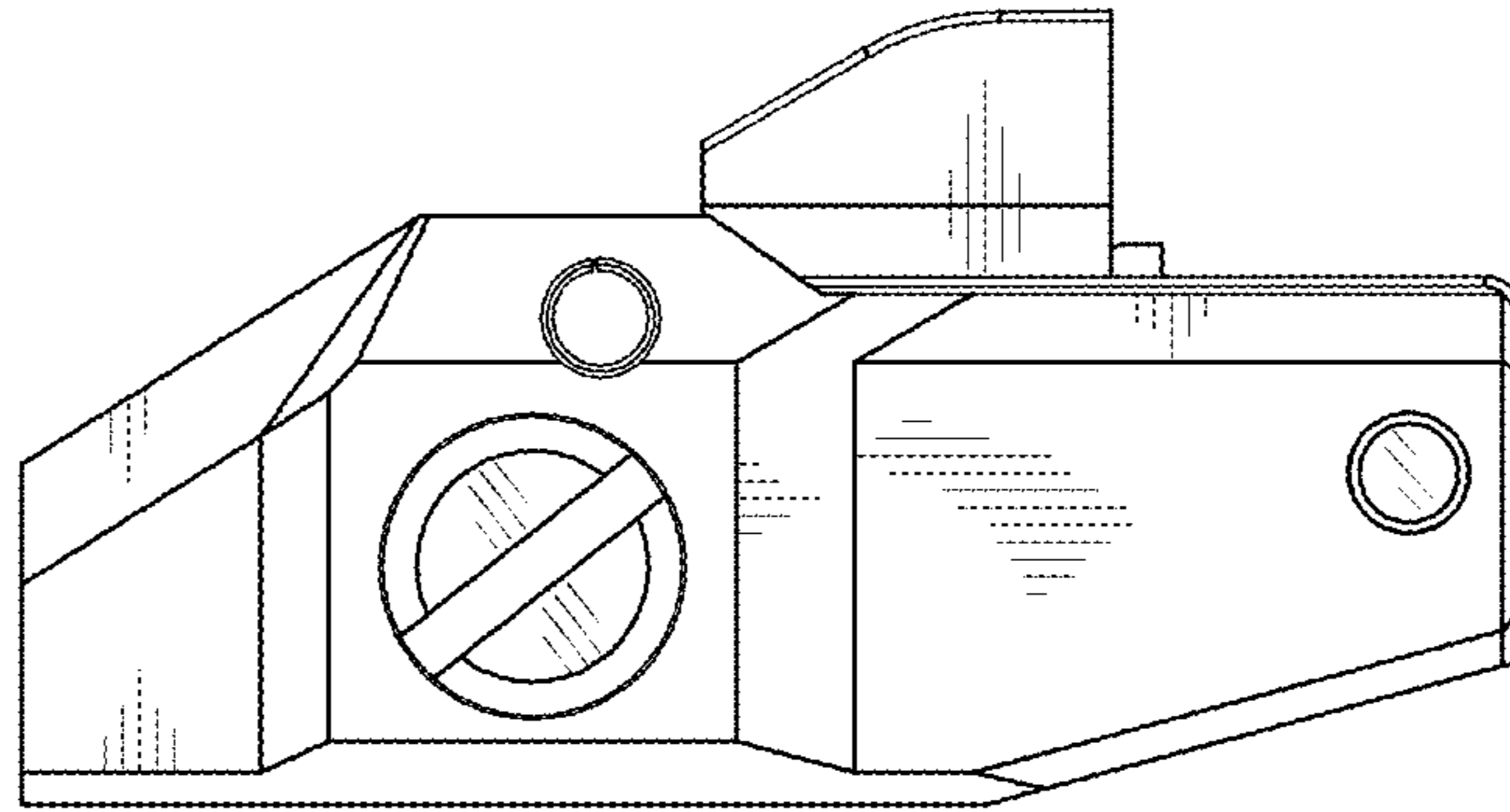


FIG. 2

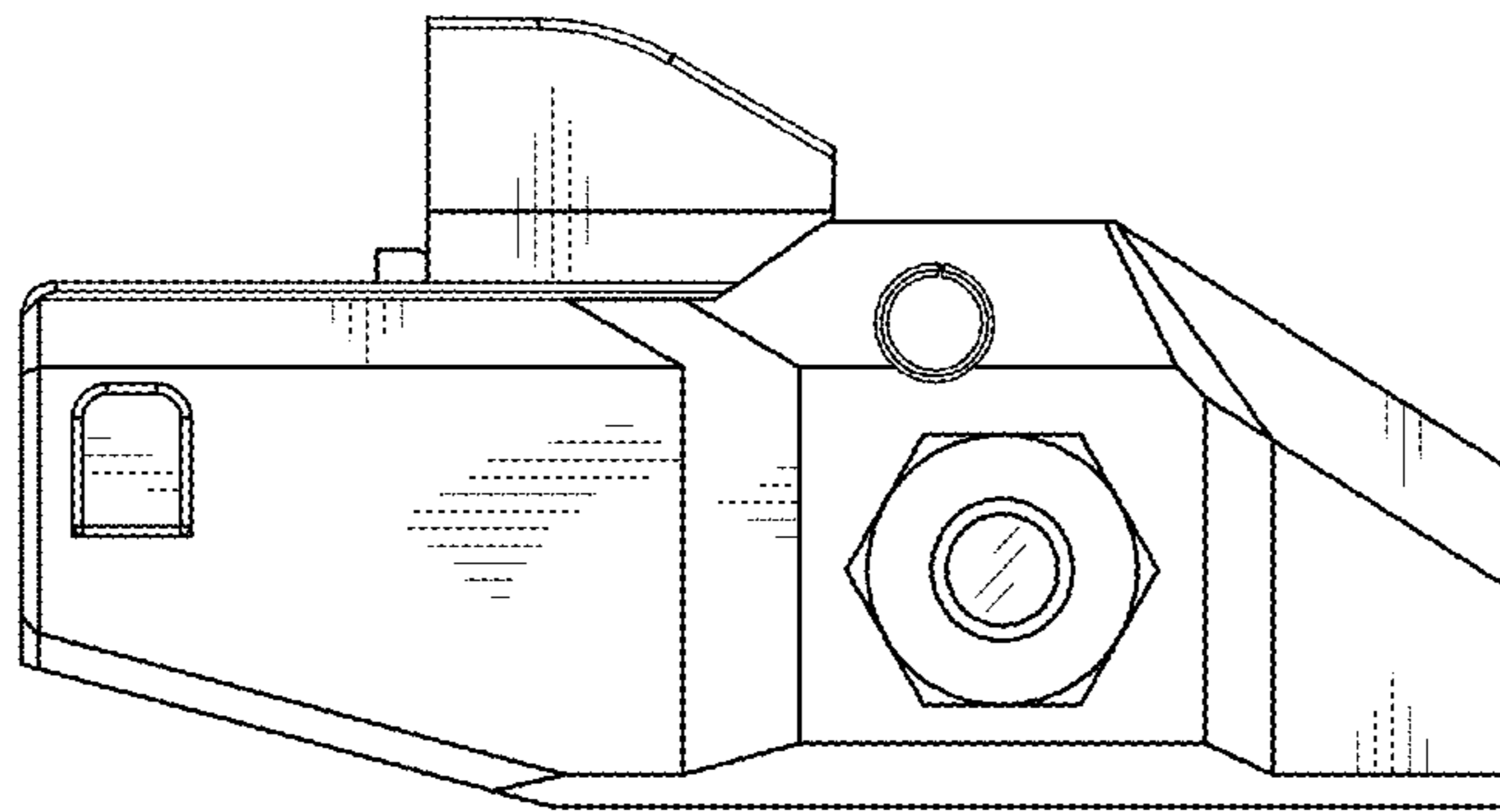


FIG. 3

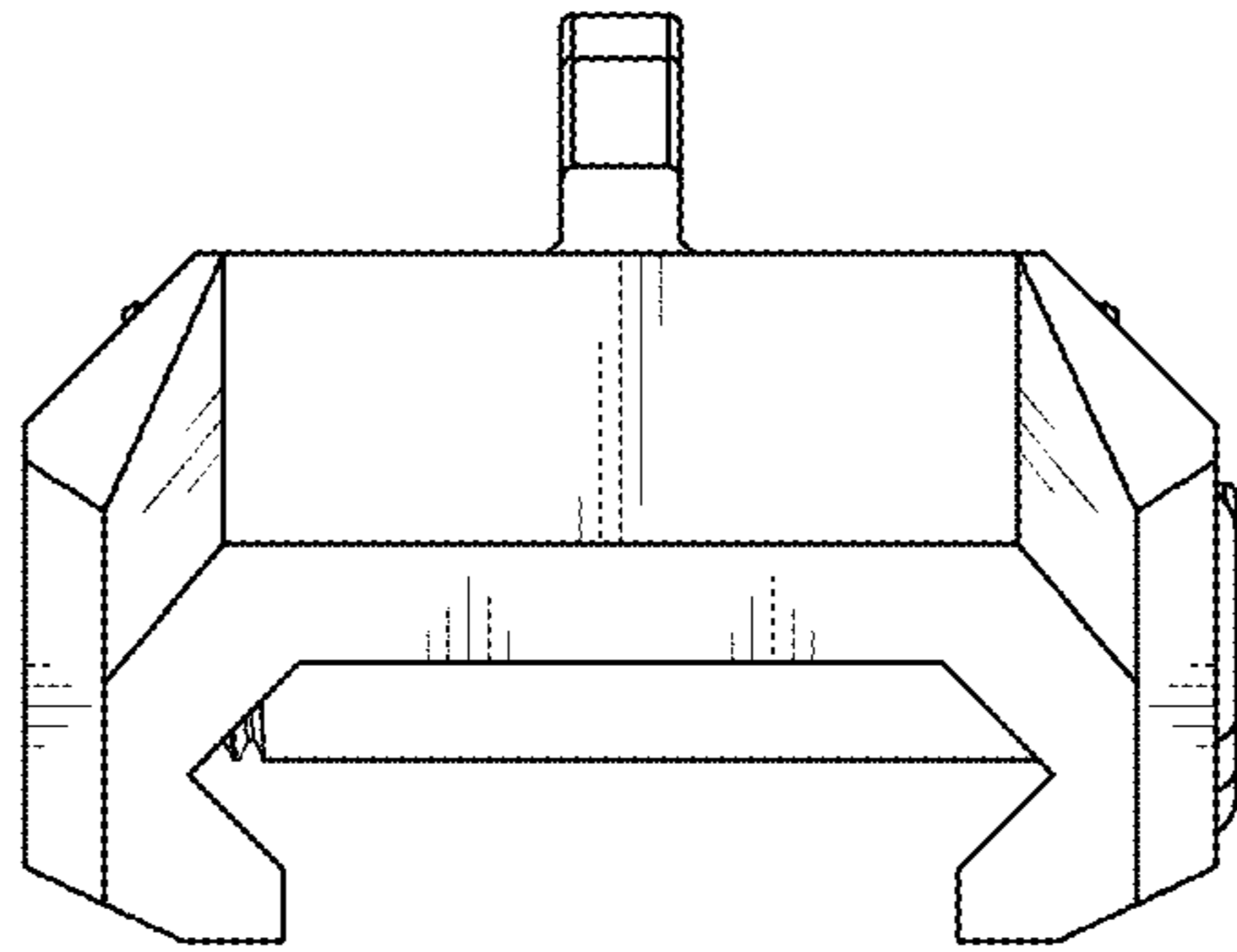


FIG. 4

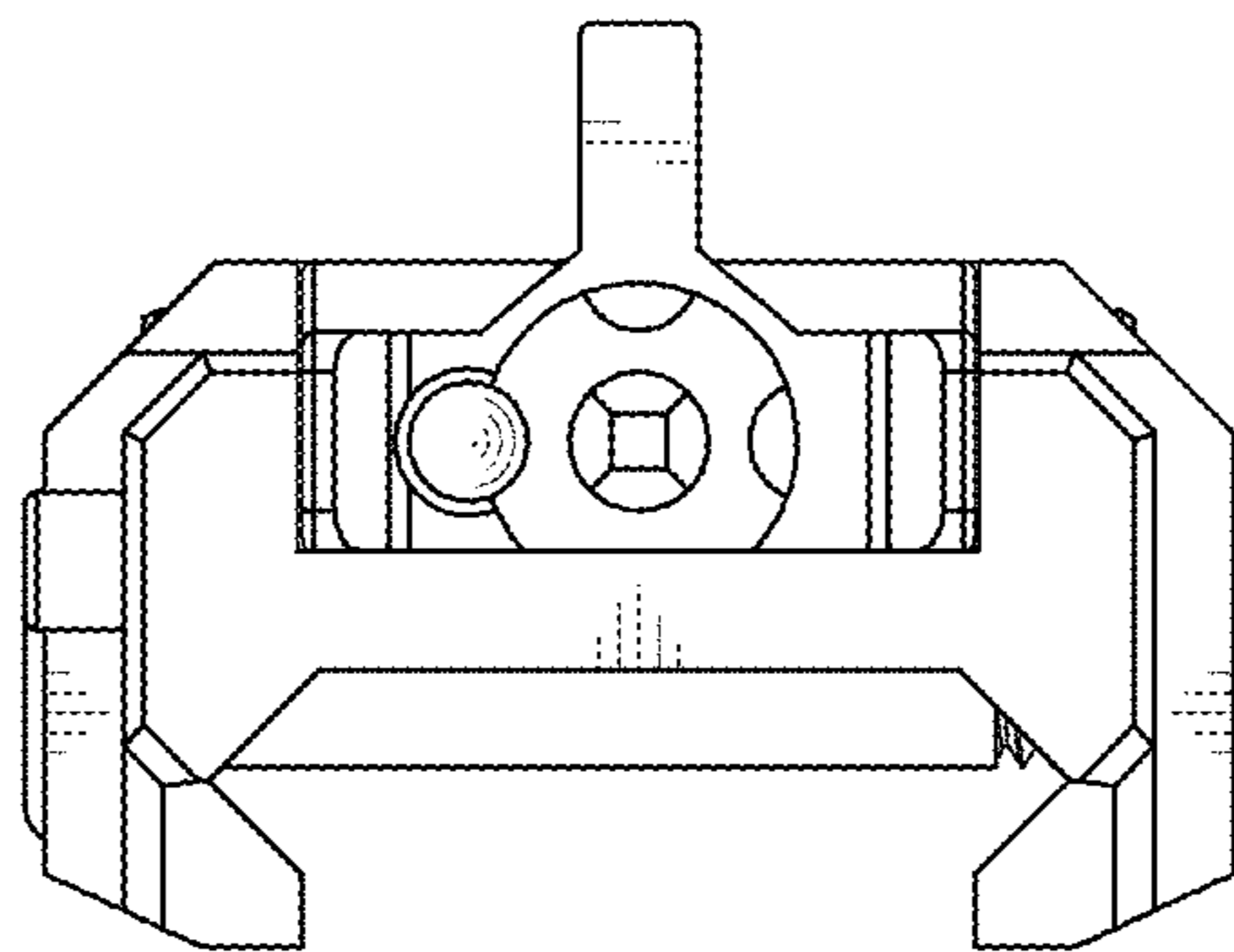


FIG. 5

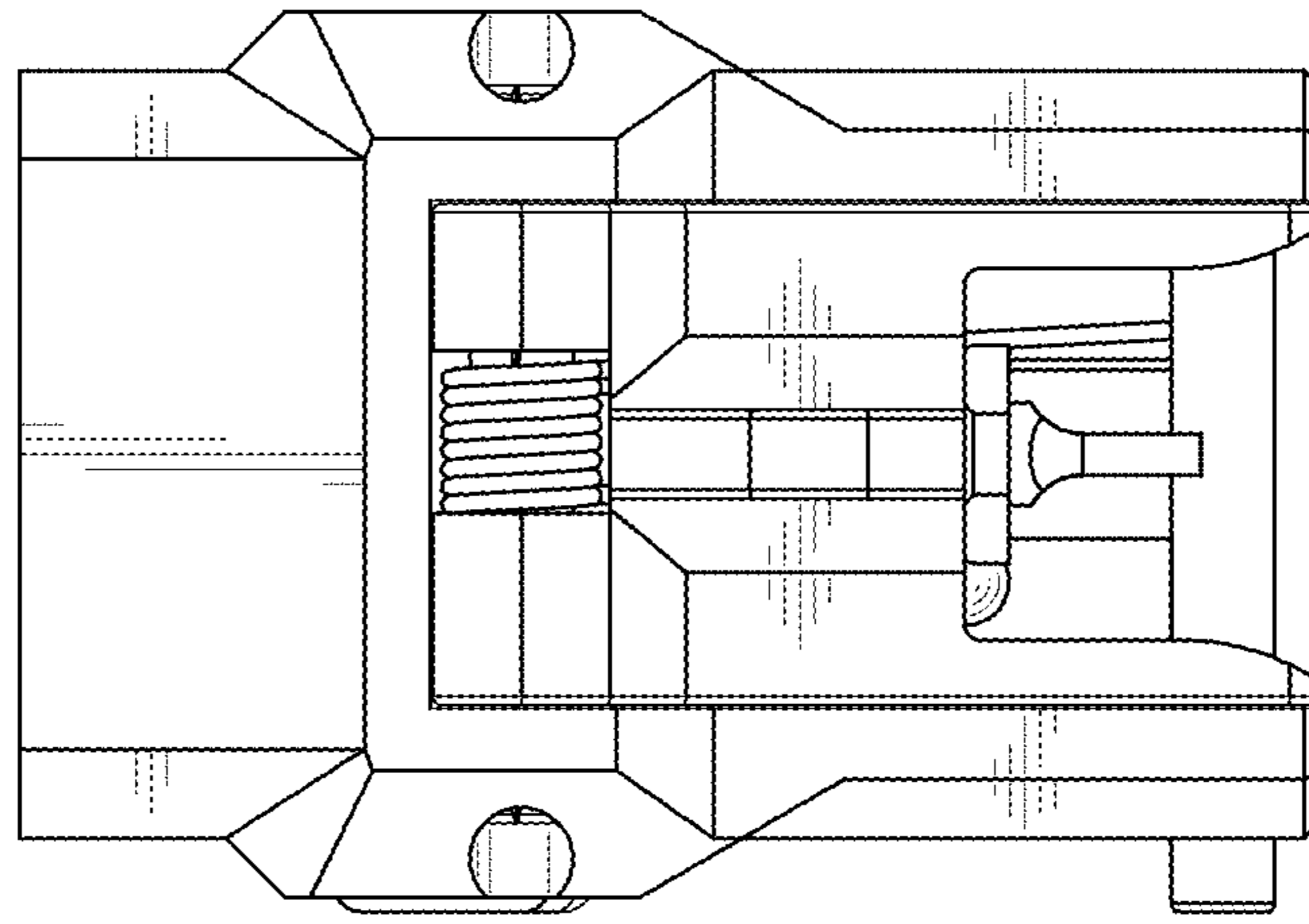


FIG. 6

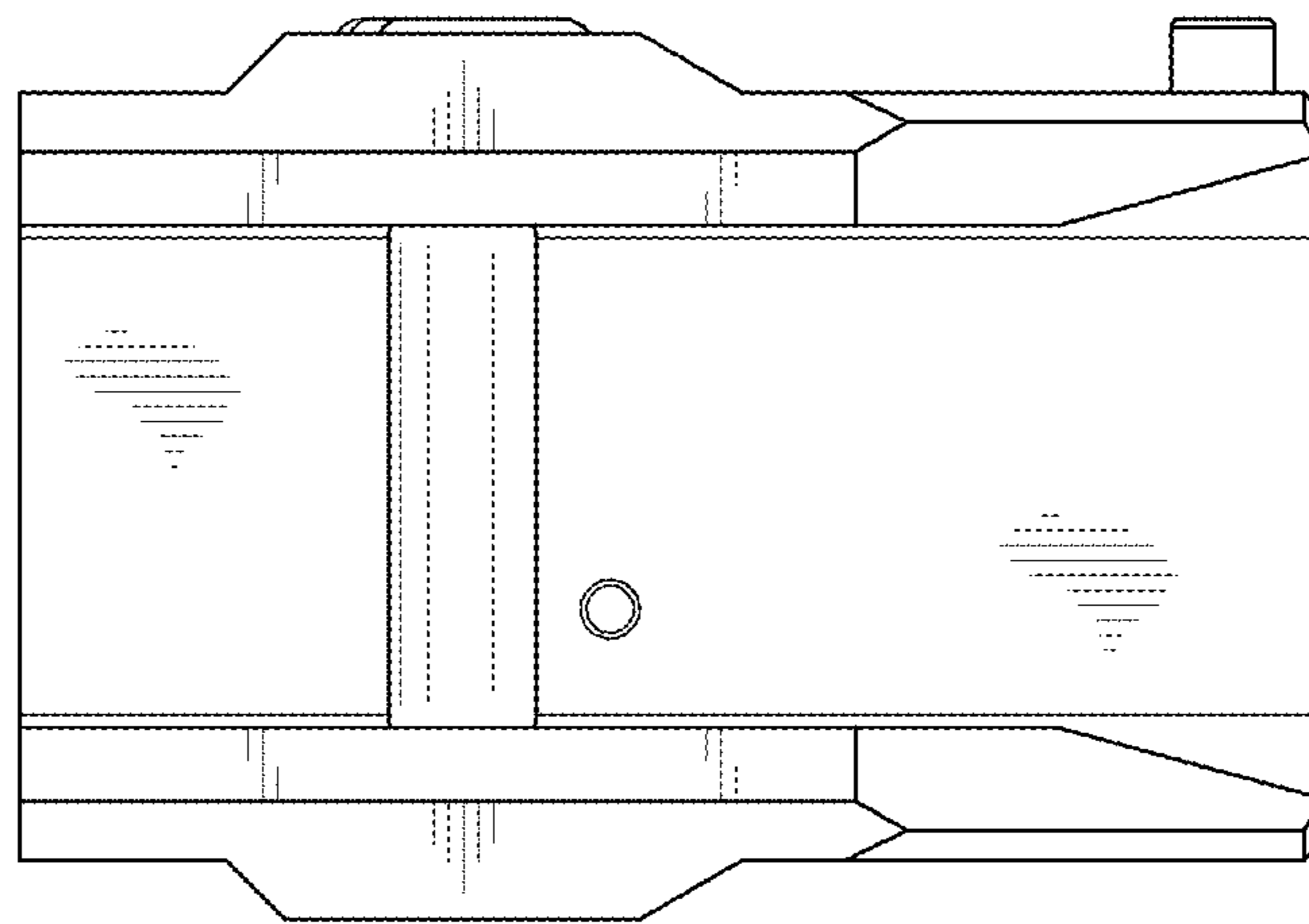


FIG. 7

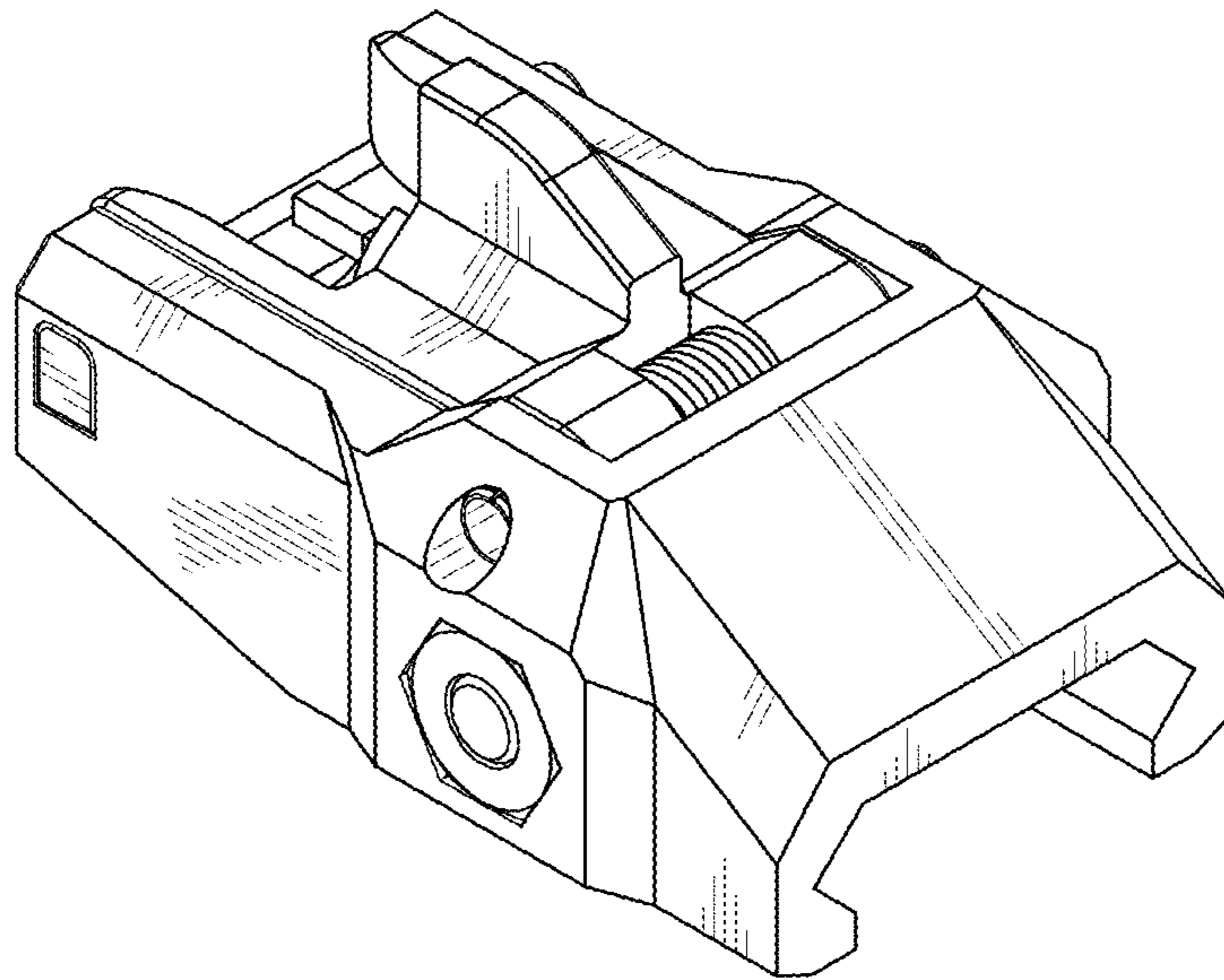


FIG. 8

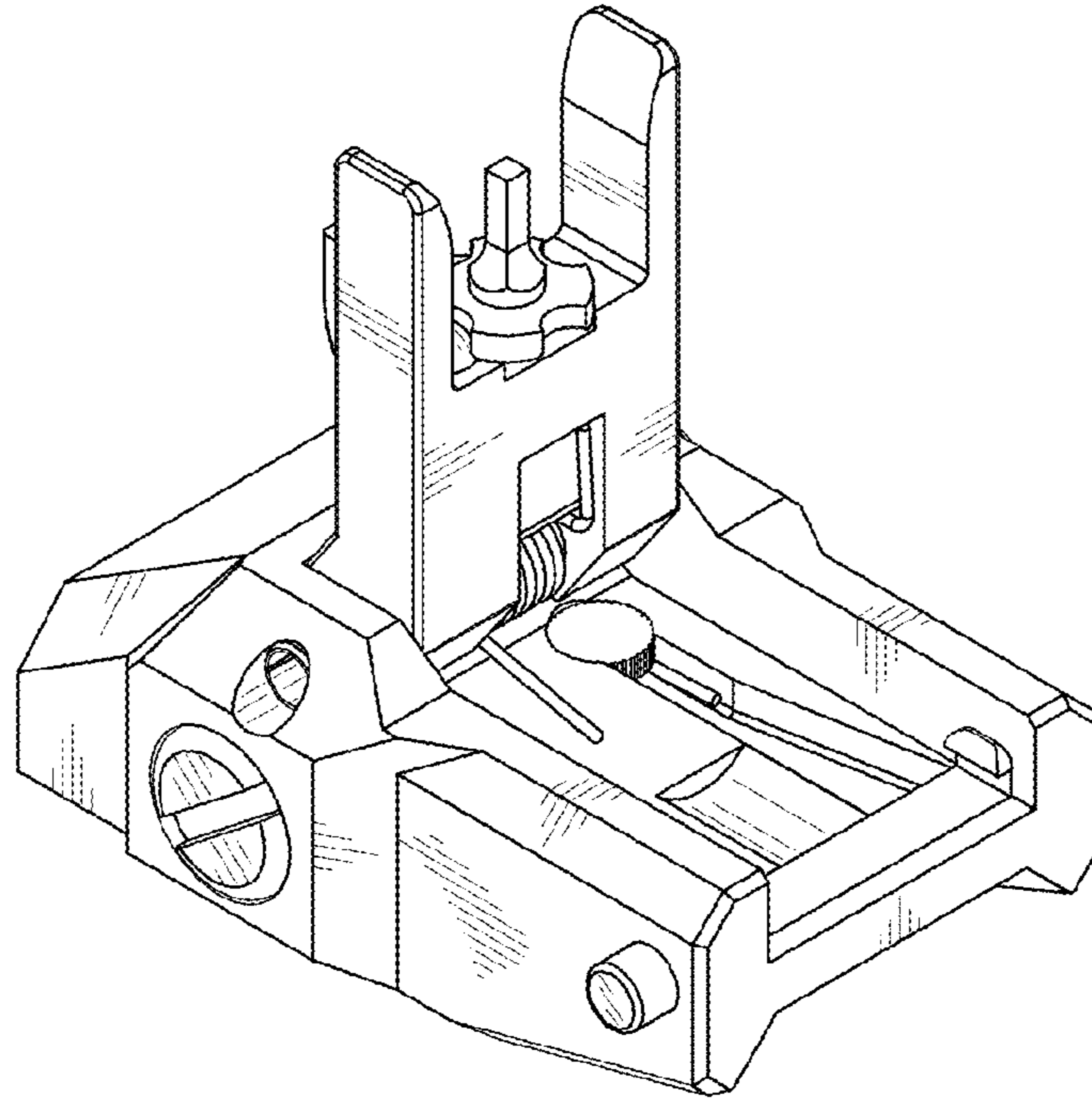


FIG. 9

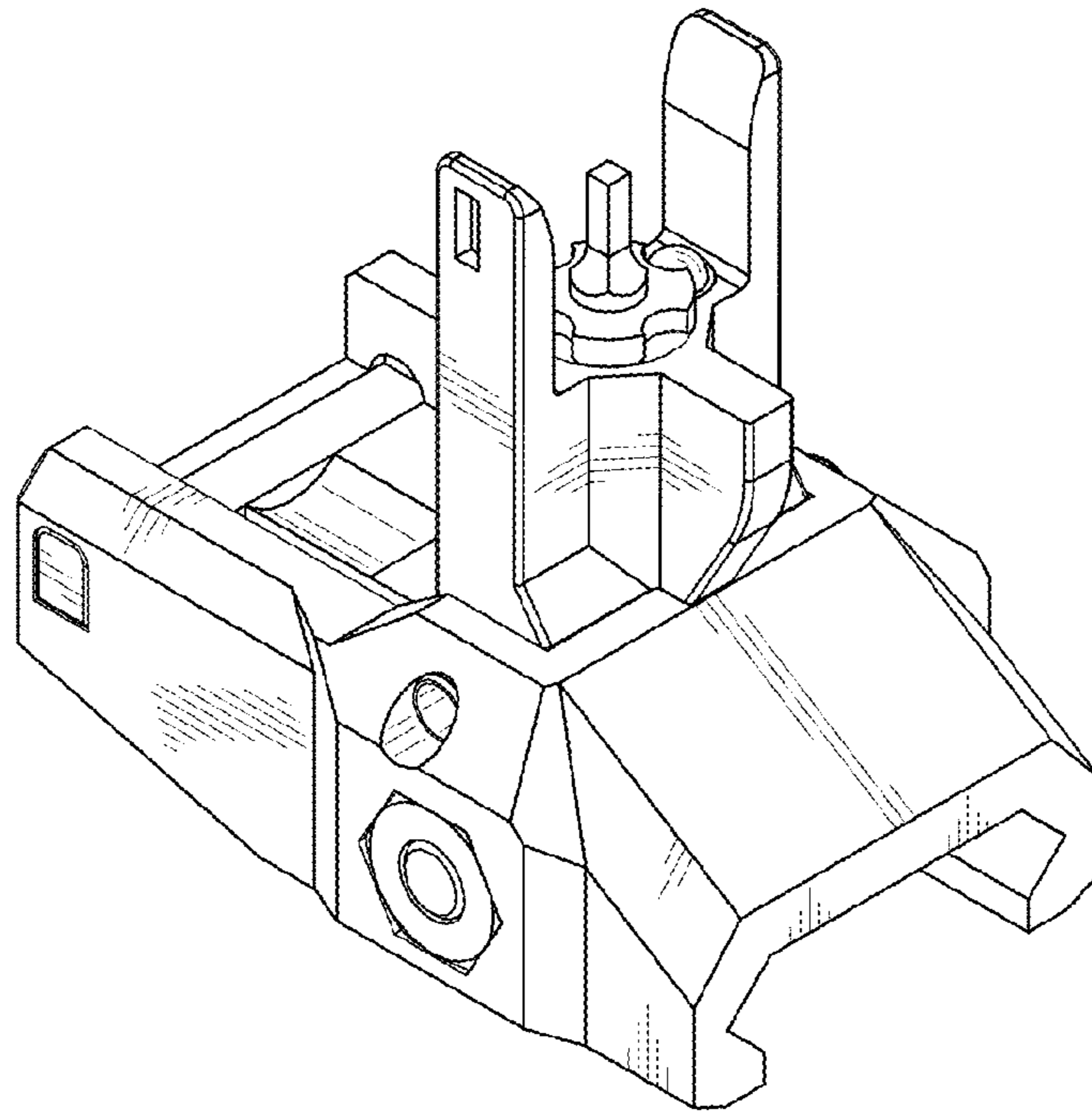


FIG. 10