



US00D733249S

(12) **United States Design Patent**
Cheng et al.

(10) **Patent No.:** **US D733,249 S**
(45) **Date of Patent:** **** Jun. 30, 2015**

(54) **OPTICAL SIGHT BASE MOUNT**

(56) **References Cited**

(71) Applicants: **Carson Cheng**, City of Industry, CA (US); **Jason Michael Cheng**, City of Industry, CA (US); **Richard Thomas**, City of Industry, CA (US)

U.S. PATENT DOCUMENTS

D259,944	S	*	7/1981	Burris	D22/110
4,367,606	A	*	1/1983	Bechtel	42/127
4,501,071	A	*	2/1985	Manske	42/127
D317,344	S	*	6/1991	Klumpp	D22/110
5,033,219	A	*	7/1991	Johnson et al.	42/115
D383,826	S	*	9/1997	Weigand	D22/110
D554,730	S	*	11/2007	Coggins	D22/110
D632,753	S	*	2/2011	Leighton et al.	D22/109
D683,809	S	*	6/2013	Kasanjian-King	D22/108
D713,921	S	*	9/2014	Williams et al.	D22/109
D715,393	S	*	10/2014	Williams et al.	D22/109
2008/0034638	A1	*	2/2008	Spuhr	42/127

(72) Inventors: **Carson Cheng**, City of Industry, CA (US); **Jason Michael Cheng**, City of Industry, CA (US); **Richard Thomas**, City of Industry, CA (US)

(73) Assignee: **NcSTAR Inc.**, City of Industry, CA (US)

* cited by examiner

(**) Term: **14 Years**

Primary Examiner — Michael A Pratt

(21) Appl. No.: **29/479,744**

(74) *Attorney, Agent, or Firm* — Raymond Y. Chan; David and Raymond Patent Firm

(22) Filed: **Jan. 19, 2014**

(51) **LOC (10) Cl.** **22-01**

(57) **CLAIM**

The ornamental design for a optical sight base mount, as shown and described.

(52) **U.S. Cl.**

DESCRIPTION

USPC **D22/109**

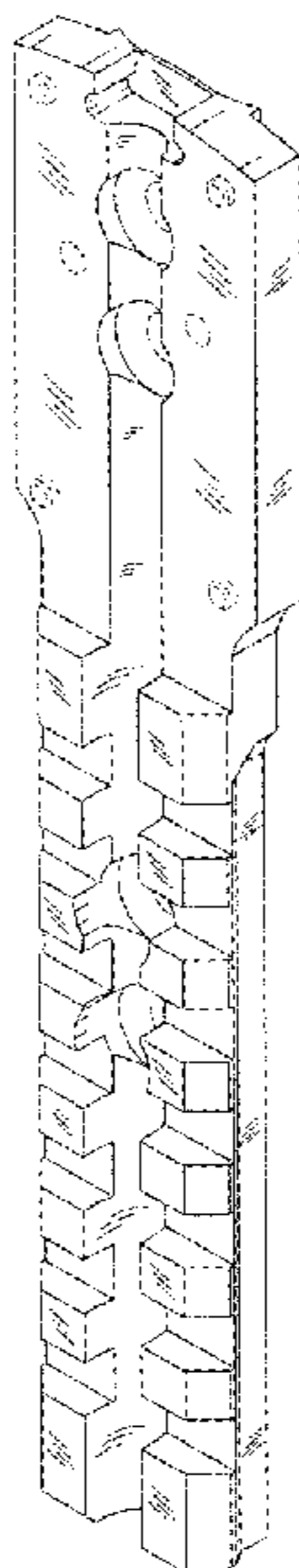
(58) **Field of Classification Search**

USPC D22/108–109; 89/111–113; 359/399, 359/823, 744; 42/104, 105, 111–113, 116, 42/120, 124–126, 127–129, 141–148, 42/133–140; 33/227, 229

CPC F41G 1/00; F41G 1/01; F41G 1/02; F41G 1/06; F41G 1/065; F41G 1/08; F41G 1/10; F41G 1/12; F41G 1/14; F41G 1/30; F41G 1/32; F41G 1/38; F41G 1/40; F41G 1/42; F41G 1/44; F41G 1/46; F41G 1/383; F41G 1/387; F41G 1/393; F41G 3/00; F41G 3/005; F41G 3/02; F41G 3/04; F41G 3/06; F41G 3/14; F41G 11/002; F41G 11/003; F41G 11/004; F41G 11/005

See application file for complete search history.

1 Claim, 3 Drawing Sheets



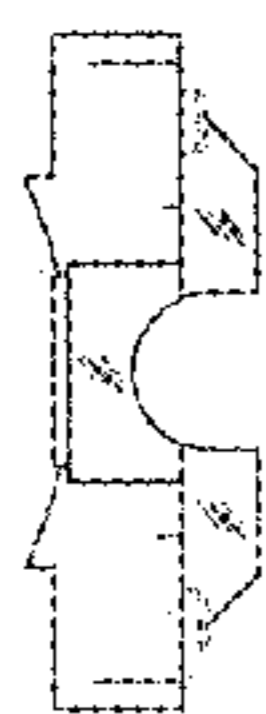


FIG. 6



FIG. 7

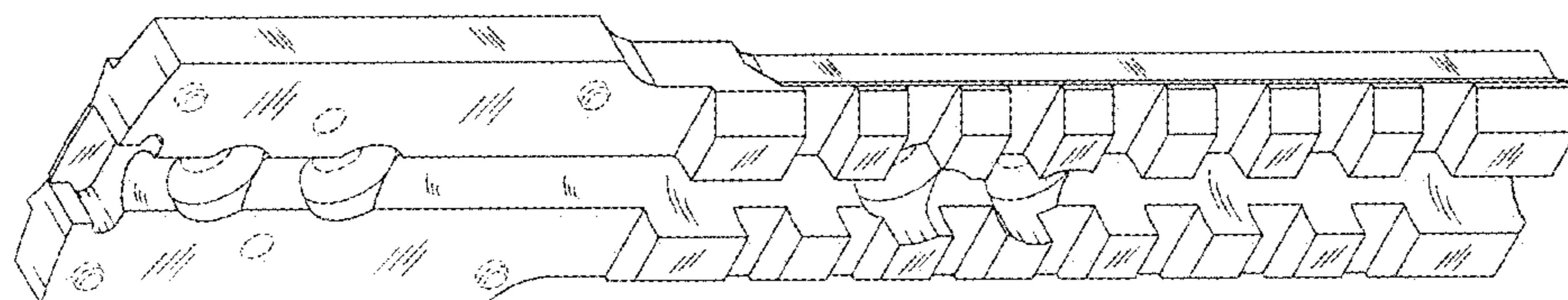


FIG. 1

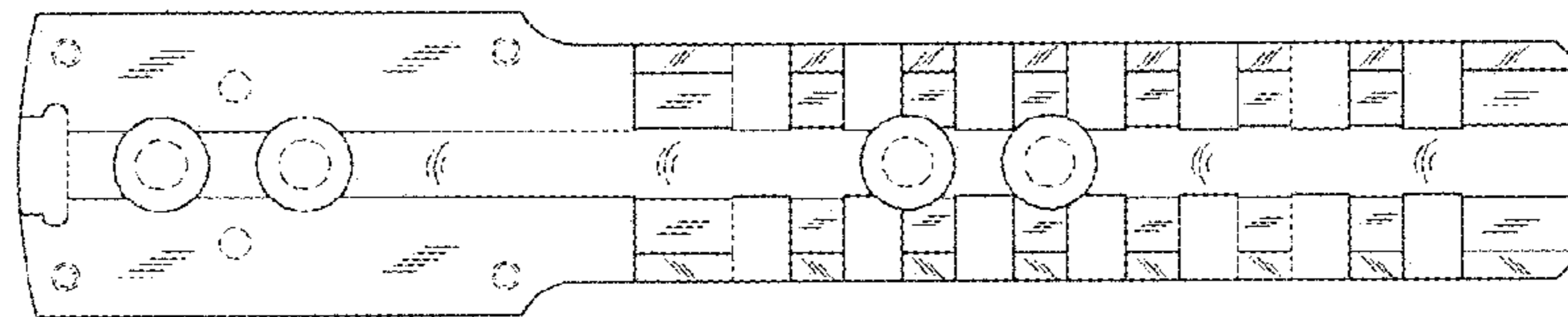


FIG. 2

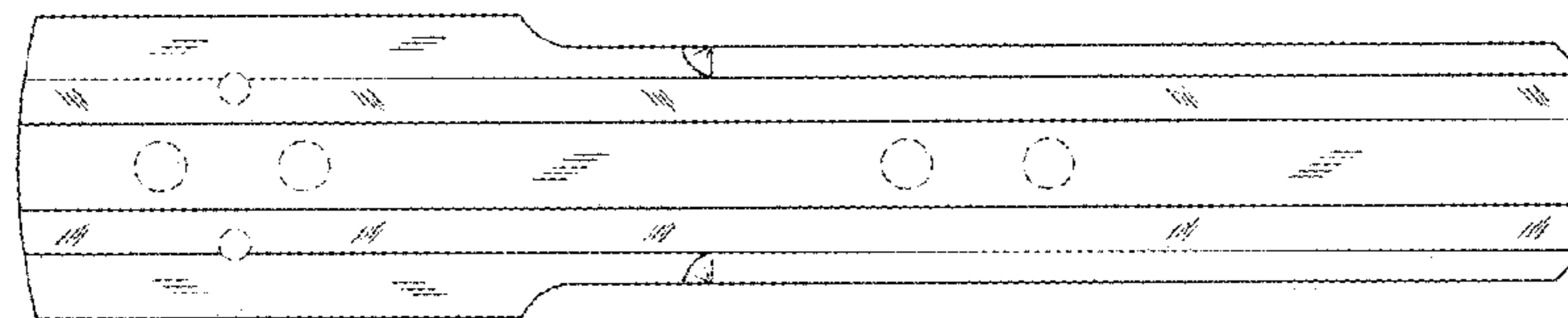


FIG. 3



FIG. 4



FIG. 5

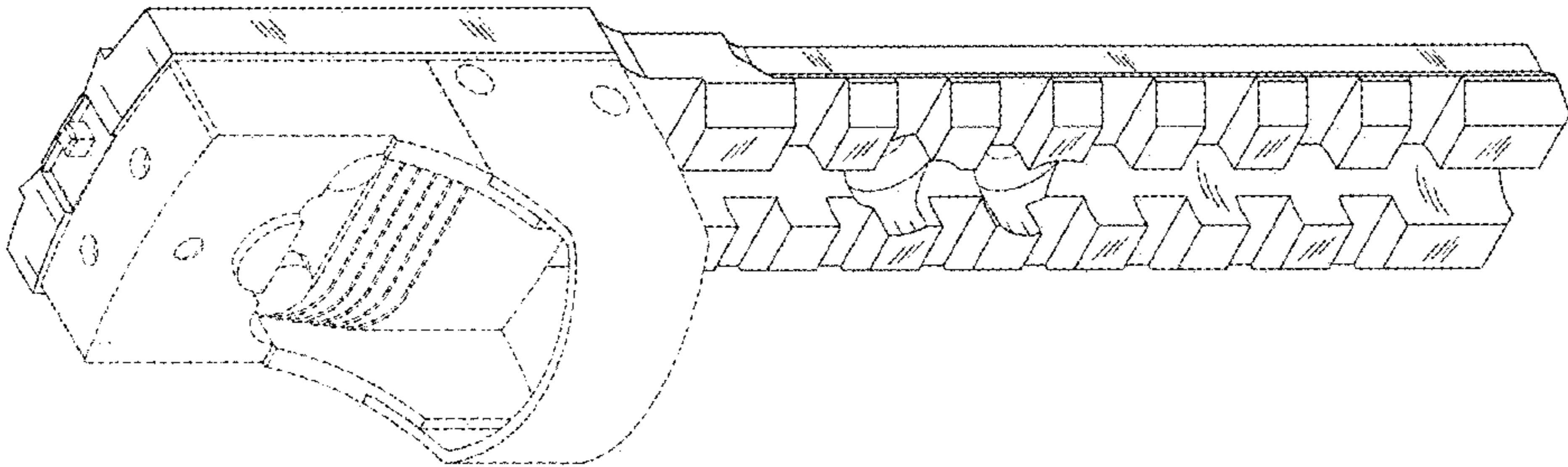


FIG. 8