



US00D733248S

(12) **United States Design Patent**
Moyle

(10) **Patent No.:** **US D733,248 S**
(45) **Date of Patent:** **** Jun. 30, 2015**

(54) **RETICLE FOR A RIFLESCOPE OR OTHER PROJECTILE-WEAPON AIMING DEVICE**

(71) Applicant: **Leupold & Stevens, Inc.**, Beaverton, OR (US)

(72) Inventor: **Thomas E. Moyle**, Hillsboro, OR (US)

(73) Assignee: **Leupold & Stevens, Inc.**, Beaverton, OR (US)

(**) Term: **14 Years**

(21) Appl. No.: **29/478,621**

(22) Filed: **Jan. 7, 2014**

(51) **LOC (10) Cl.** **22-01**

(52) **U.S. Cl.**
USPC **D22/109**

(58) **Field of Classification Search**
USPC D22/109; 33/227, 297, 298;
D16/130-134; 42/111, 113, 130, 122,
42/124, 134-145; 235/414; 356/21,
356/139.02, 250, 251, 252, 29; 89/41, 19,
89/161, 200-204; 359/424, 428; D14/404
CPC F41G 1/00; F41G 1/01; F41G 1/02;
F41G 1/06; F41G 1/065; F41G 1/08; F41G
1/10; F41G 1/12; F41G 1/14; F41G 1/30;
F41G 1/32; F41G 1/38; F41G 1/40; F41G
1/42; F41G 1/44; F41G 1/46; F41G 1/383;
F41G 1/387; F41G 1/393; F41G 3/00; F41G
3/005; F41G 3/02; F41G 3/04; F41G 3/06;
F41G 3/14; F41G 11/002; F41G 11/003;
F41G 11/004; F41G 11/005

See application file for complete search history.

(56) **References Cited**

U.S. PATENT DOCUMENTS

D532,477 S 11/2006 Zaderay et al.
D542,879 S * 5/2007 Zaderay D22/109
D580,509 S 11/2008 Peters et al.

(Continued)

OTHER PUBLICATIONS

D. Andrew Kopas, Handbook of Standard Reticle Patterns by Manufacturer, Version 9, May 10, 2012.

(Continued)

Primary Examiner — Michael A Pratt

(74) *Attorney, Agent, or Firm* — Stoel Rives LLP; Robert R. Teel

(57) **CLAIM**

I claim the ornamental design for a reticle for a rifle scope or other projectile-weapon aiming device, as shown and described.

DESCRIPTION

FIG. 1 is a view of a reticle for a rifle scope or other projectile-weapon aiming device, as viewed at low magnification through an eyepiece end of a rifle scope, according to a first embodiment;

FIG. 2 is a view of the reticle of FIG. 1, as viewed at high magnification through an eyepiece end of a rifle scope;

FIG. 3 is an enlarged fragmentary view of the reticle of FIG. 1, showing details of a central reticle portion that is indicated in FIG. 2;

FIG. 4 is a view of a reticle for a rifle scope or other projectile-weapon aiming device, as viewed at low magnification through an eyepiece end of a rifle scope, according to a second embodiment;

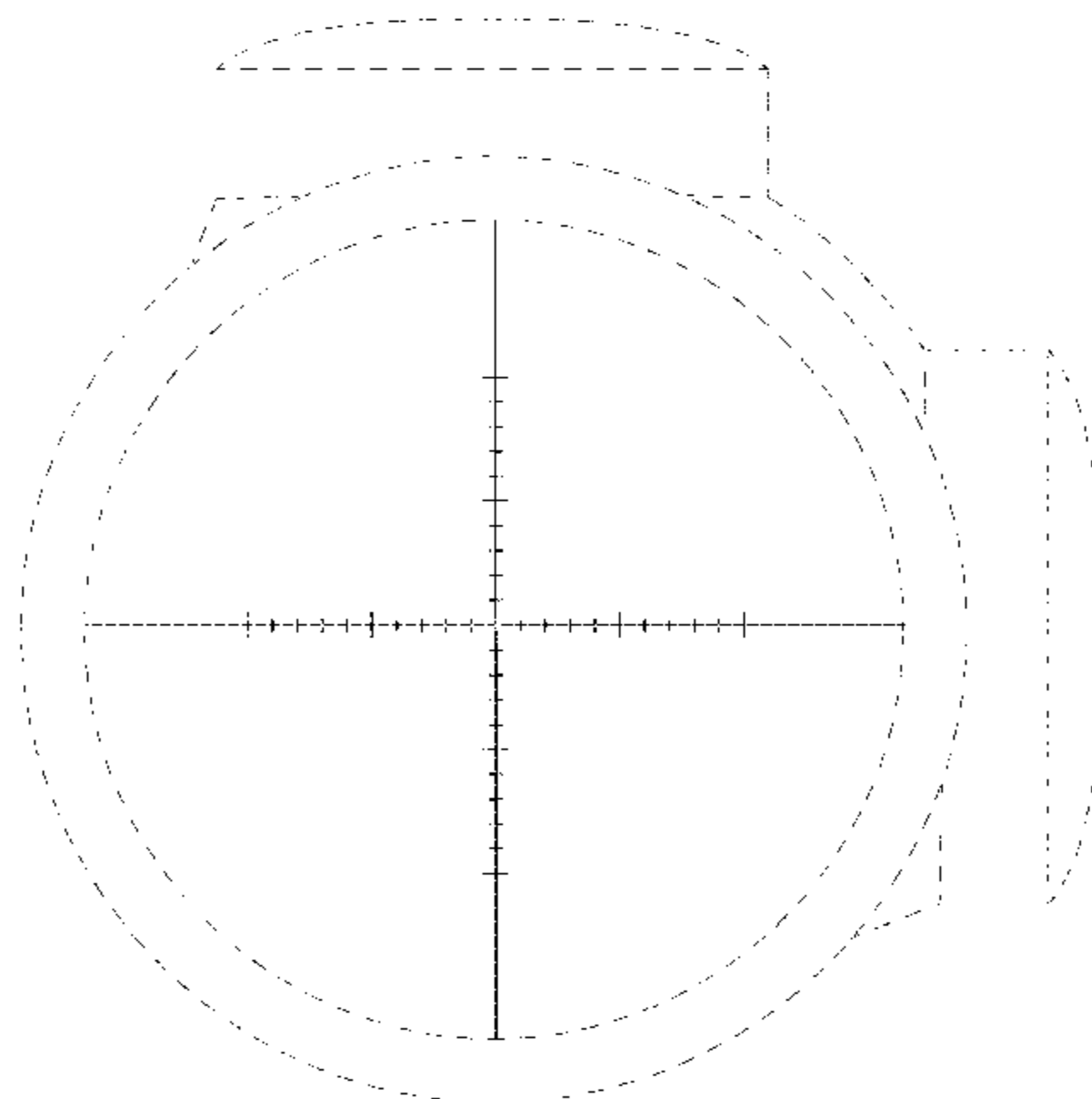
FIG. 5 is a view of the reticle of FIG. 4, as viewed at high magnification through an eyepiece end of a rifle scope;

FIG. 6 is an enlarged fragmentary view of the reticle of FIG. 4, showing details of a central reticle portion that is indicated in FIG. 5; and,

FIG. 7 is an isometric view of an environment of use for the reticle of FIG. 1 or FIG. 4.

In FIGS. 1-7, the dashed lines indicate environmental features that form no part of the claimed invention.

1 Claim, 7 Drawing Sheets



(56)

References Cited

U.S. PATENT DOCUMENTS

D654,136 S	2/2012	Huber	
D679,776 S	4/2013	Bracken et al.	
D679,777 S	4/2013	Bracken et al.	
D680,187 S	4/2013	Bracken et al.	
D703,784 S *	4/2014	Smith	D22/109
2004/0016168 A1 *	1/2004	Thomas et al.	42/122
2015/0020431 A1 *	1/2015	Sammut et al.	42/130

OTHER PUBLICATIONS

U.S. Optics, Euro MOA, available at <http://www.usoptics.com/scope/product/viewlargeimage/id/725>, retrieved on Jan. 3, 2014, 1 pp.

U.S. Optics, Mil Scale Canadian, available at <http://www.usoptics.com/scope/product/viewlargeimage/id/687>, retrieved on Jan. 3, 2014, 1 pp.

U.S. Optics, MDMOA, available at <http://www.usoptics.com/scope/product/viewlargeimage/id/688>, retrieved on Jan. 3, 2014, 1 pp.

U.S. Optics, Mil Scale Hunter —Illuminated, available at <http://www.usoptics.com/scope/product/viewlargeimage/id/716>, retrieved on Jan. 3, 2014, 1 pp.

U.S. Optics, C2 10x, <http://www.usoptics.com/scope/product/viewlargeimage/id/680>, retrieved on Jan. 3, 2014.

Internet Archive, Nightforce Optics, Inc., Reticles, Second Focal Plane Reticles—MOA Based, <http://web.archive.org/web/20130218162301/http://nightforceoptics.com/reticles>, retrieved on Jan. 3, 2014, 9 pp.

* cited by examiner

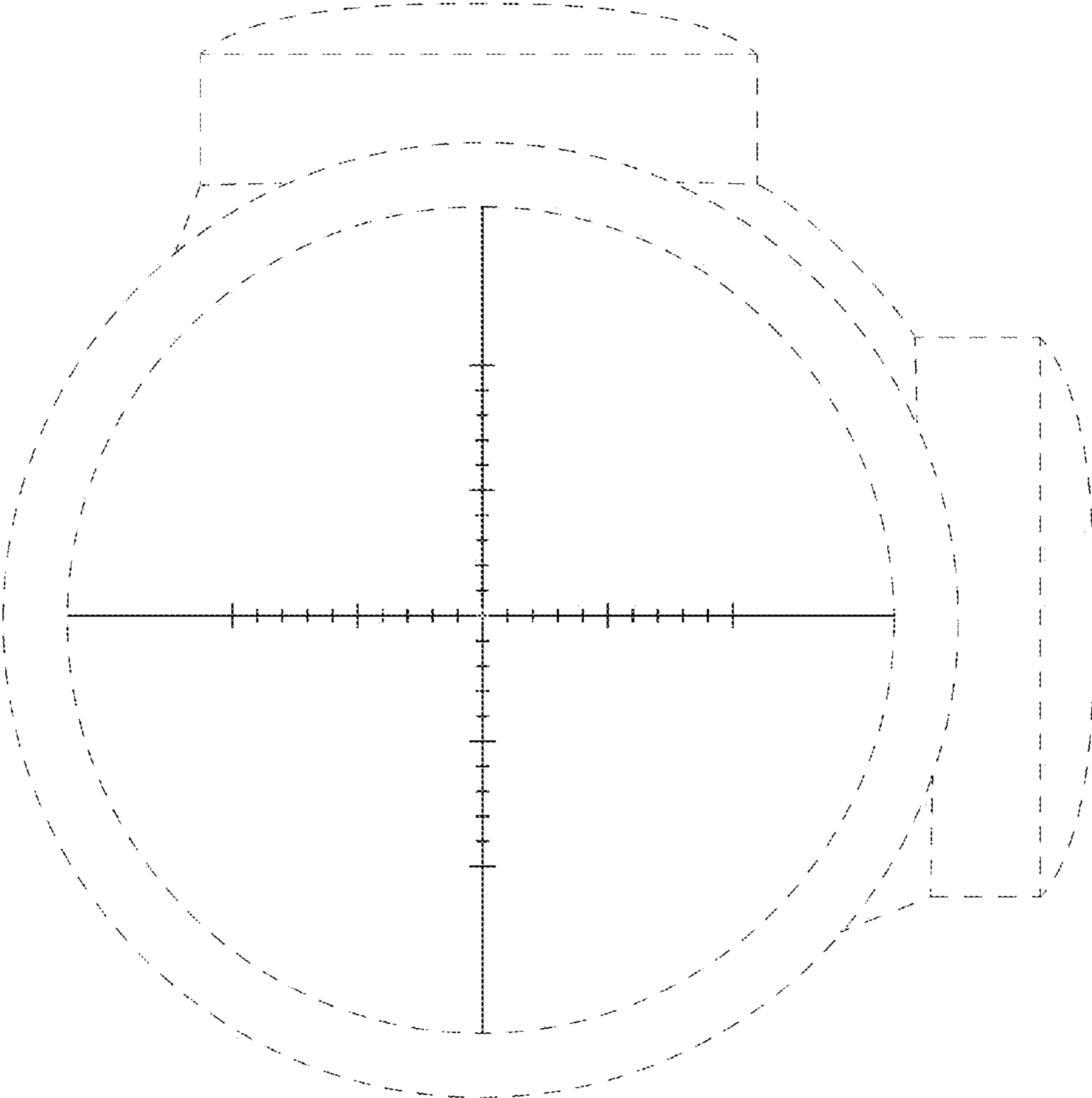


FIG. 1

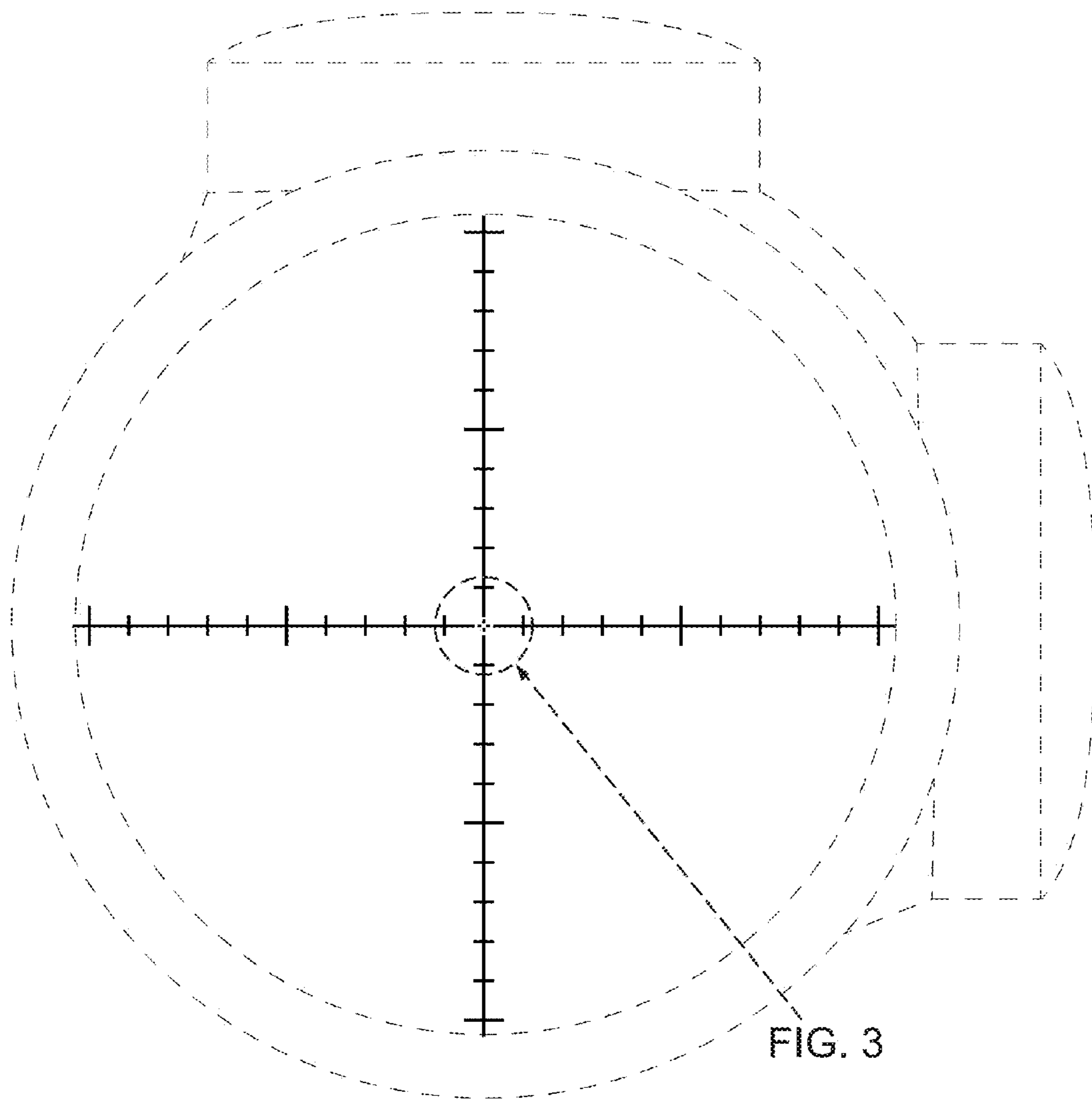


FIG. 2

FIG. 3

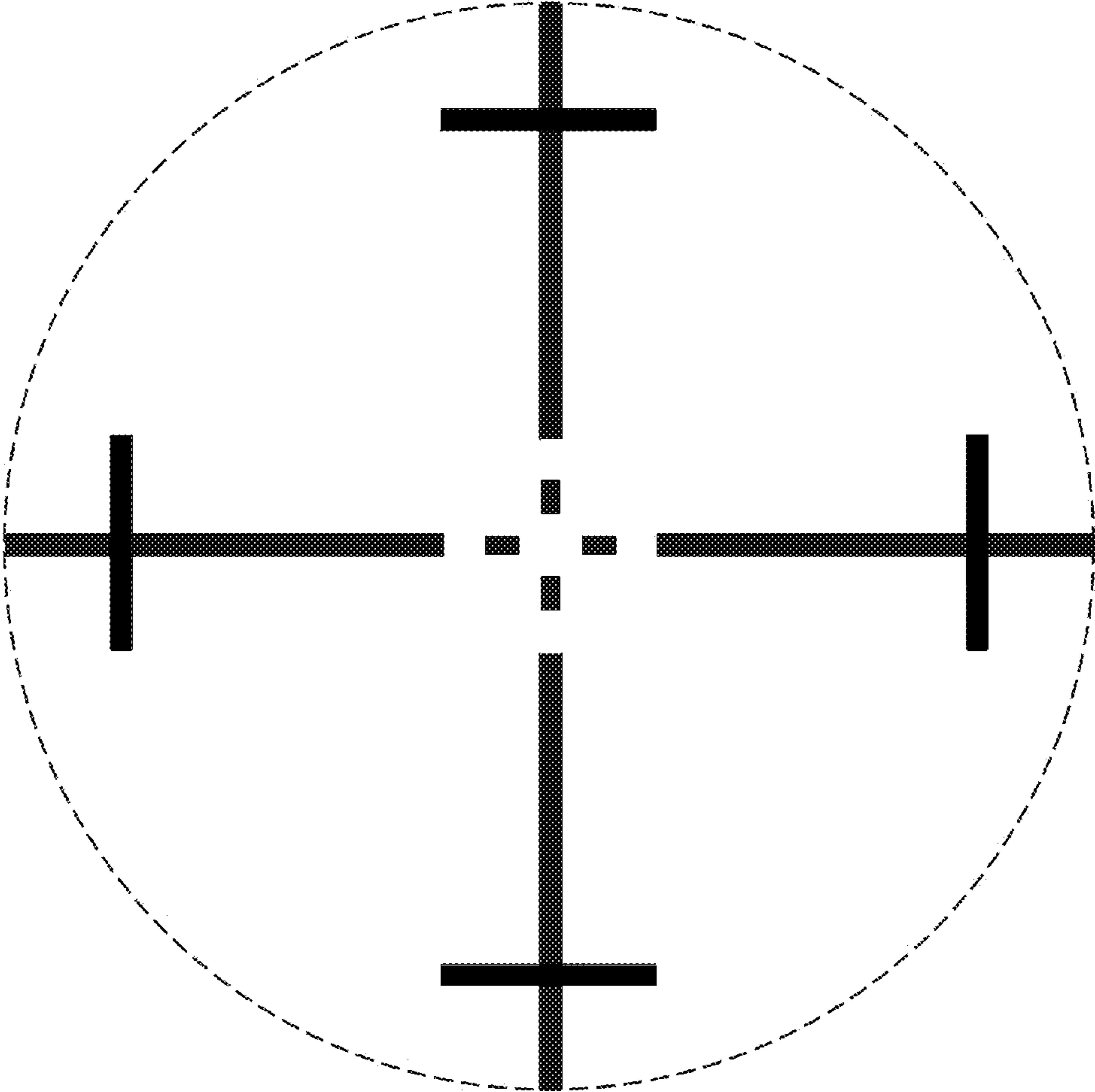


FIG. 3

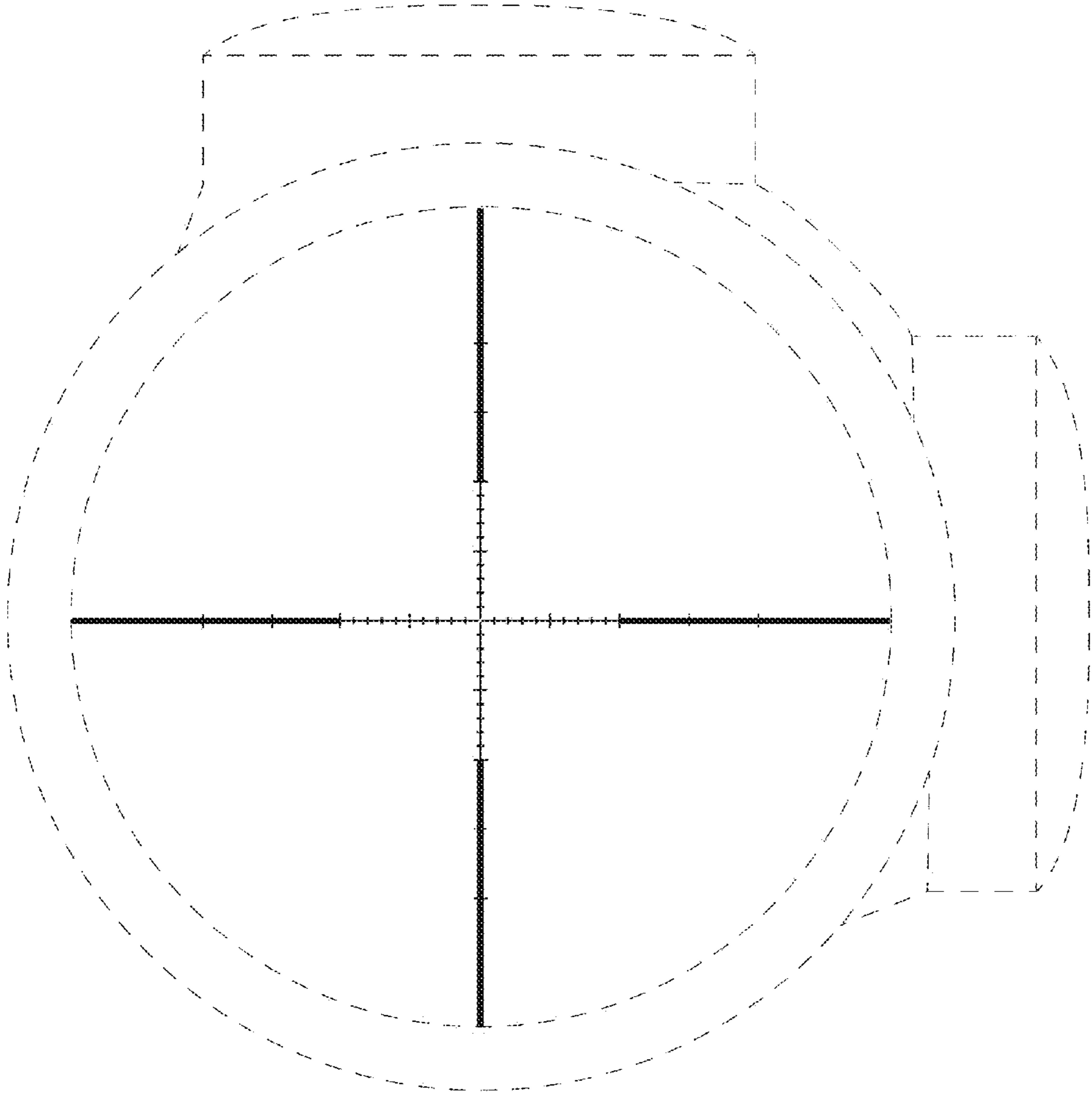


FIG. 4

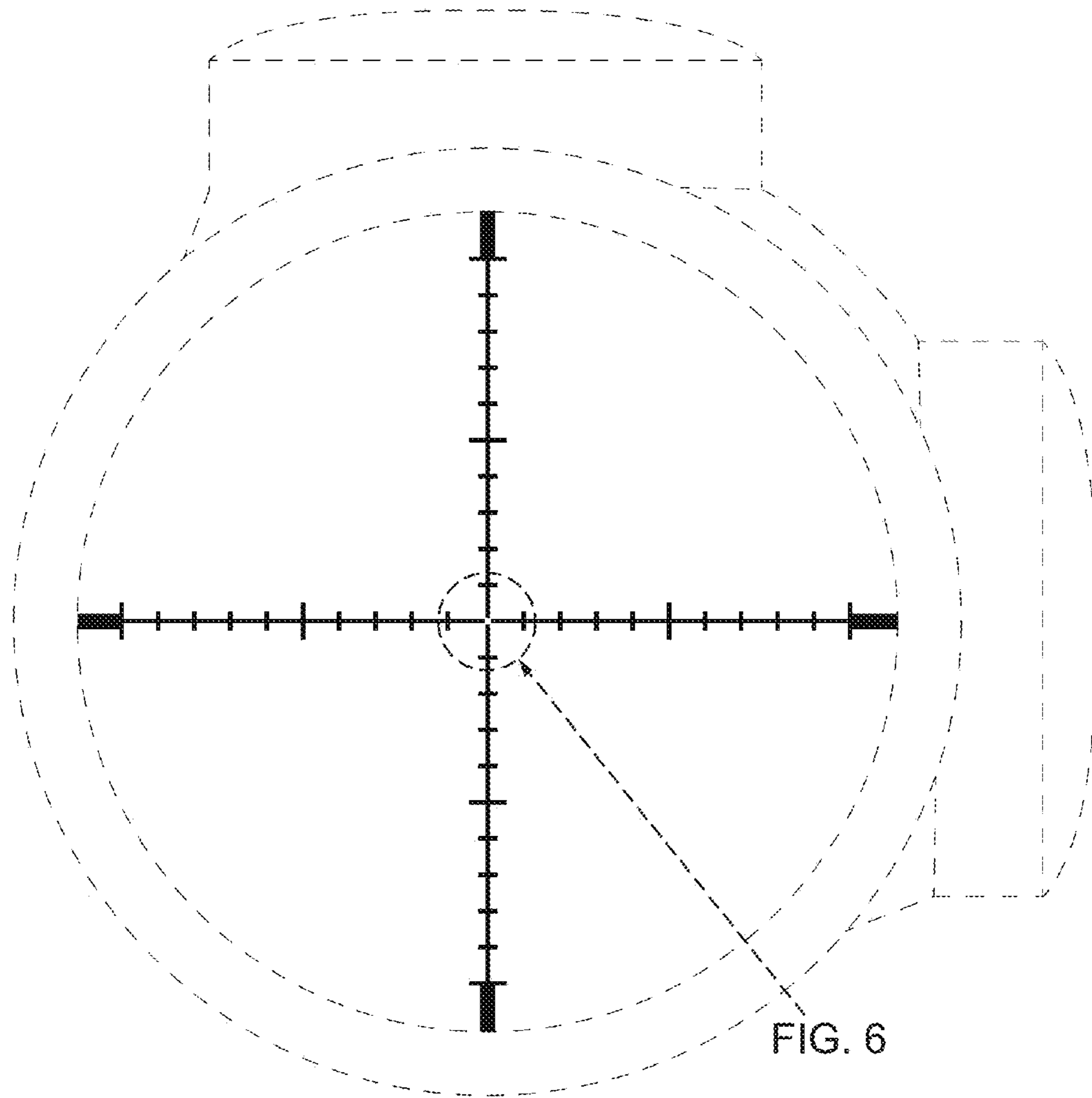


FIG. 5

FIG. 6

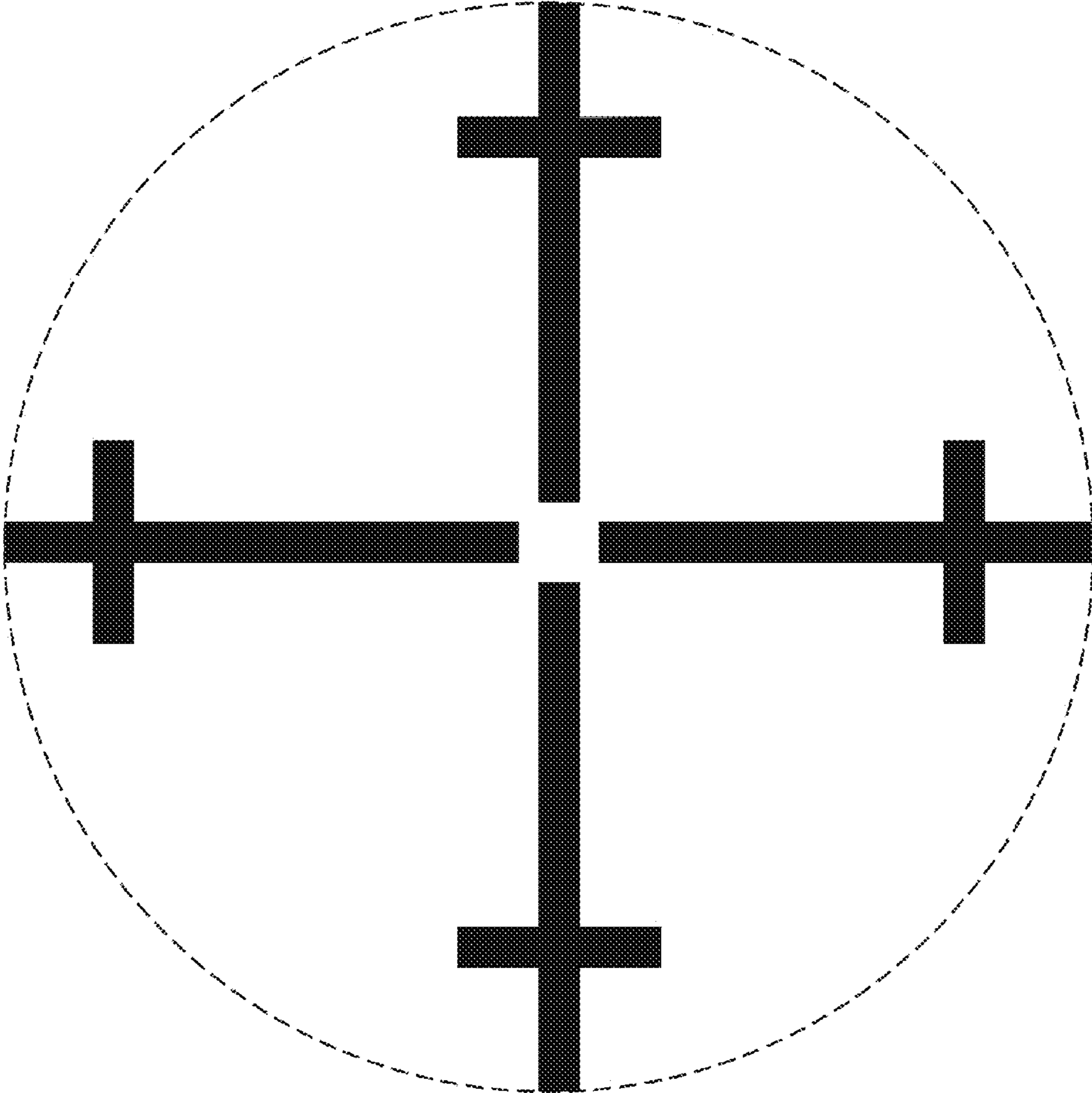


FIG. 6

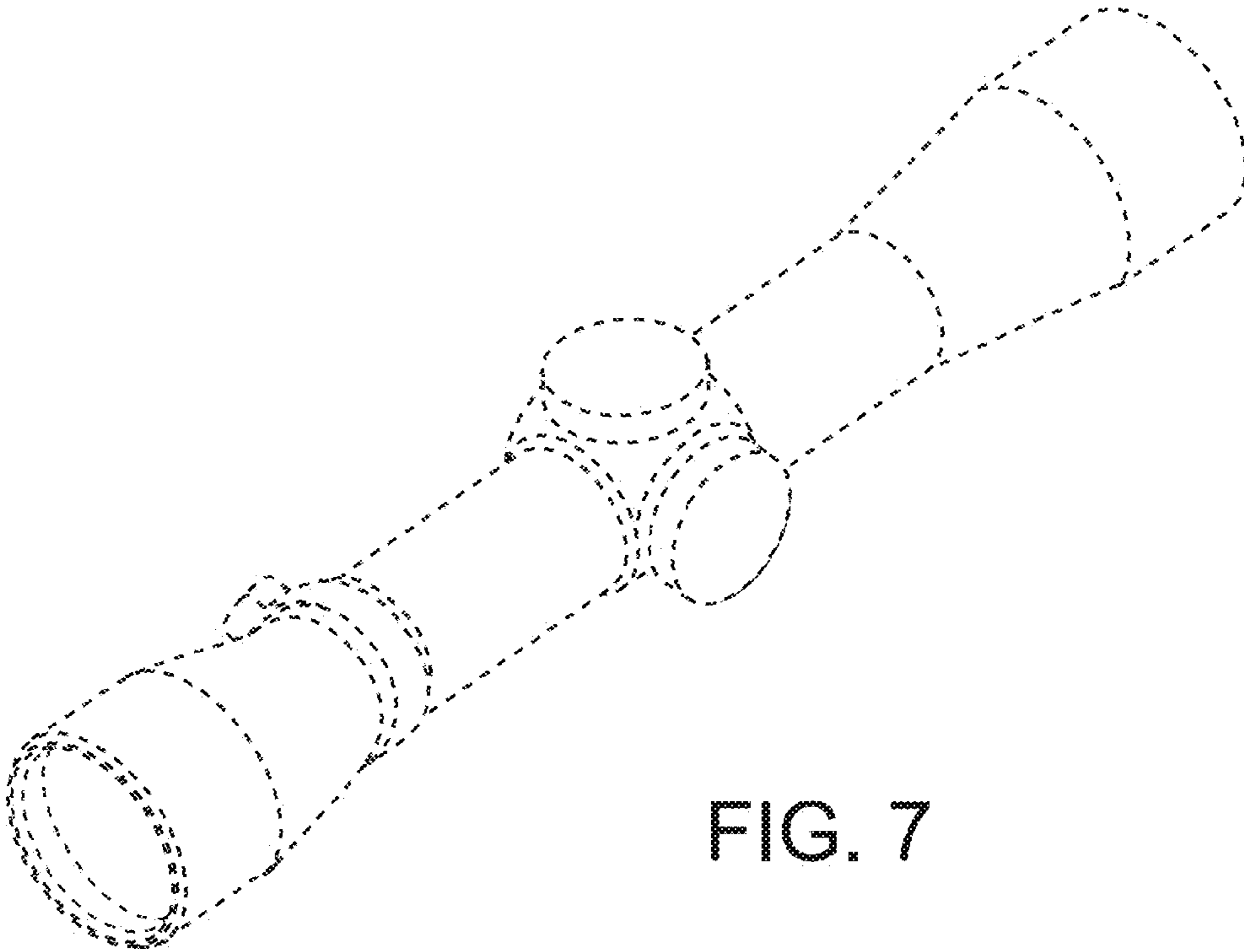


FIG. 7