



US00D733247S

(12) **United States Design Patent**
Lewis et al.

(10) **Patent No.:** **US D733,247 S**
(45) **Date of Patent:** **** Jun. 30, 2015**

(54) **ADJUSTABLE BUTT STOCK**

- (71) Applicant: **KRL Holding Company, Inc.**, Milan, IL (US)
- (72) Inventors: **Karl R. Lewis**, Moline, IL (US); **Neal David Hohl**, Rock Island, IL (US); **Charles Olmsted**, Davenport, IA (US); **James Arend Seabold Bargren**, Moline, IL (US); **Jason Rice**, Geneseo, IL (US)
- (73) Assignee: **KRL Holding Company, Inc.**, Milan, IL (US)
- (**) Term: **14 Years**

- (21) Appl. No.: **29/479,186**
- (22) Filed: **Jan. 13, 2014**
- (51) **LOC (10) Cl.** **22-01**
- (52) **U.S. Cl.**
USPC **D22/108**
- (58) **Field of Classification Search**
USPC D22/108; D21/572-573; 42/51, 90, 42/71.01, 71.02, 73, 75.01, 75.02; 362/160; 89/40.06, 37.04, 33.04
CPC F41C 23/00; F41C 23/02; F41C 23/04; F41C 23/06; F41C 23/08; F41C 23/10; F41C 23/12; F41C 23/14; F41C 23/16; F41C 23/18; F41C 23/20; F41C 23/22; F41C 7/02; F41C 7/04; F41C 7/06; F41C 7/11; F41C 7/12
See application file for complete search history.

(56) **References Cited**

U.S. PATENT DOCUMENTS

7,802,392	B2 *	9/2010	Peterson et al.	42/75.03
D645,533	S *	9/2011	Peterson et al.	D22/108
D682,973	S *	5/2013	KasanJian-King	D22/108
D704,294	S *	5/2014	Jarboe	D22/108
D722,672	S *	2/2015	Juarez	D22/108
2006/0048424	A1 *	3/2006	Weir	42/69.01
2011/0314717	A1 *	12/2011	Barrett	42/75.03
2015/0007476	A1 *	1/2015	Dextraze	42/71.01

OTHER PUBLICATIONS

Print outs from MAGPUL website showing pictures of buttstock, website: www.magpul.com. Print out from wayback machine showing print out of buttstock from website dated Jan. 18, 2013.

* cited by examiner

Primary Examiner — Michael A Pratt

(74) *Attorney, Agent, or Firm* — Woodard, Emhardt, Moriarty, McNett & Henry LLP

(57) **CLAIM**

The ornamental design for an adjustable butt stock, as shown and described.

DESCRIPTION

FIG. 1 is a 3D model line drawing showing a top forward perspective view of the adjustable butt stock showing my new design;

FIG. 1A is a shaded 3D model of FIG. 1;

FIG. 2 is a 3D model line drawing showing a bottom rearward perspective view thereof;

FIG. 2A is a shaded 3D model of FIG. 2;

FIG. 3 is a 3D model line drawing showing a right side elevational view thereof;

FIG. 3A is a shaded 3D model of FIG. 3;

FIG. 4 is a 3D model line drawing showing a left side elevational view thereof;

FIG. 4A is a shaded 3D model of FIG. 4;

FIG. 5 is a 3D model line drawing showing a front elevational view thereof; and

FIG. 5A is a shaded 3D model of FIG. 5;

FIG. 6 is a 3D model line drawing showing a rear elevational view thereof;

FIG. 6A is a shaded 3D model of FIG. 6;

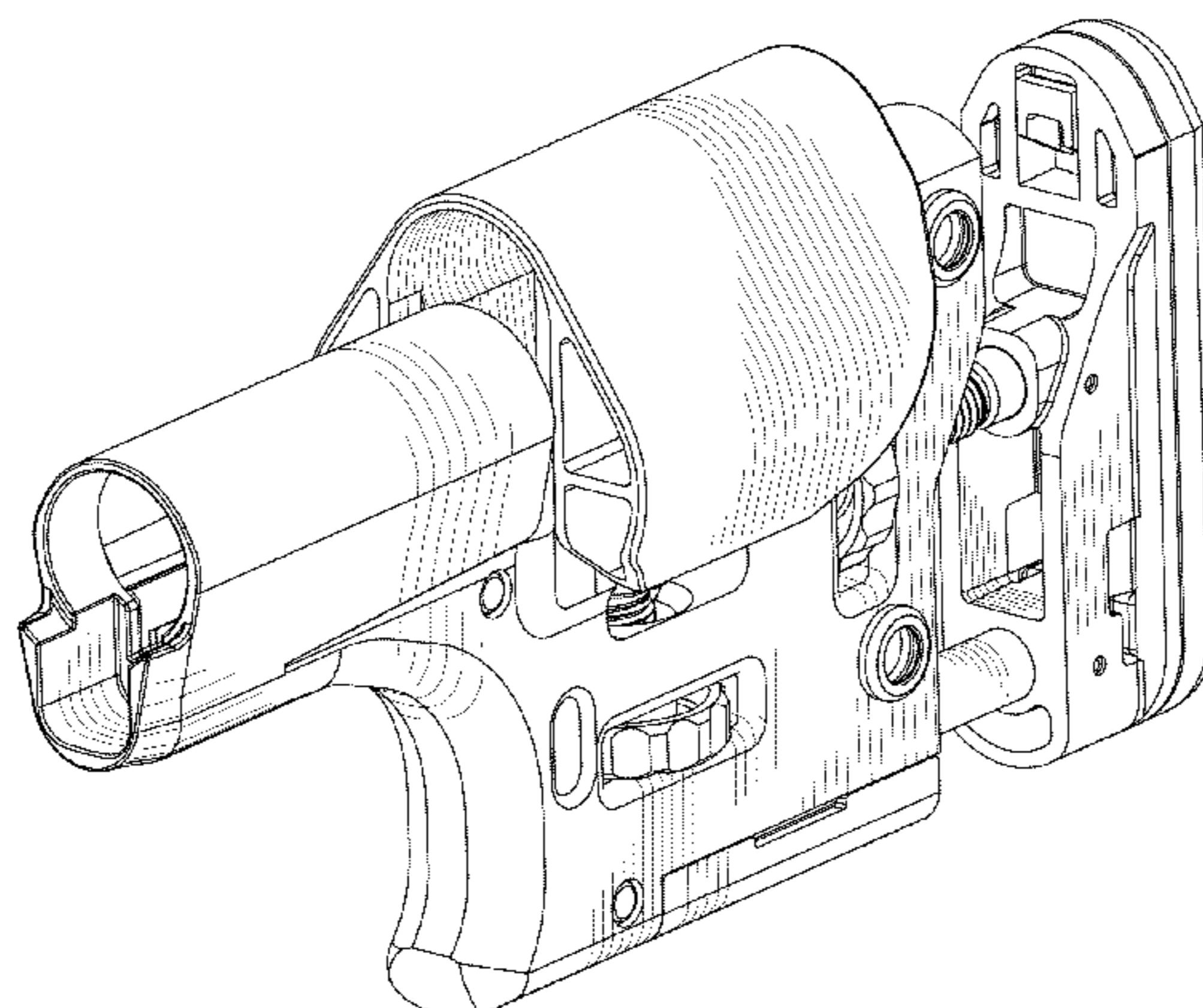
FIG. 7 is a 3D model line drawing showing a top plan view thereof;

FIG. 7A is a shaded 3D model of FIG. 7;

FIG. 8 is a 3D model line drawing showing a bottom plan view thereof; and,

FIG. 8A is a shaded 3D model of FIG. 8.

1 Claim, 6 Drawing Sheets



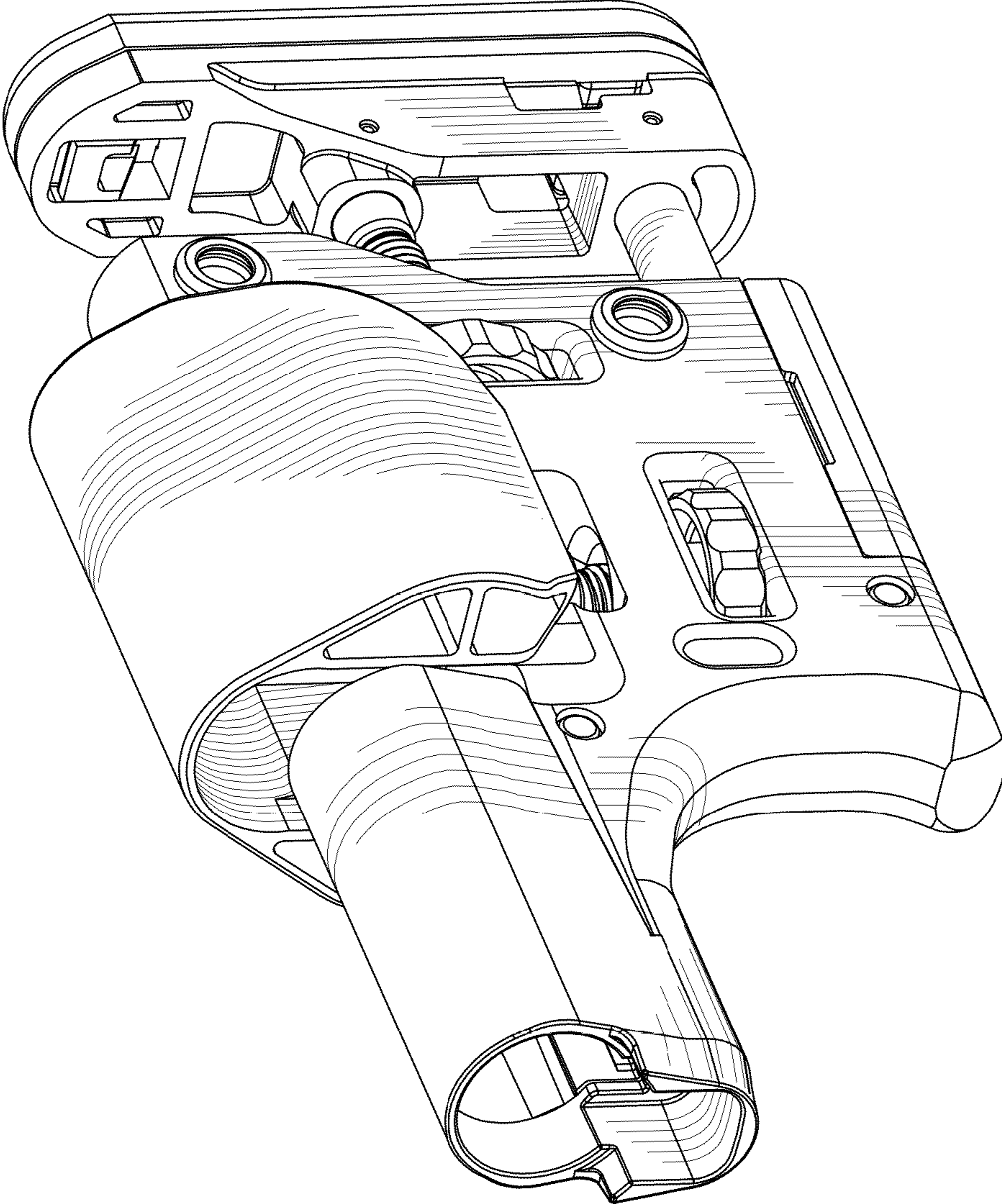


Fig. 1

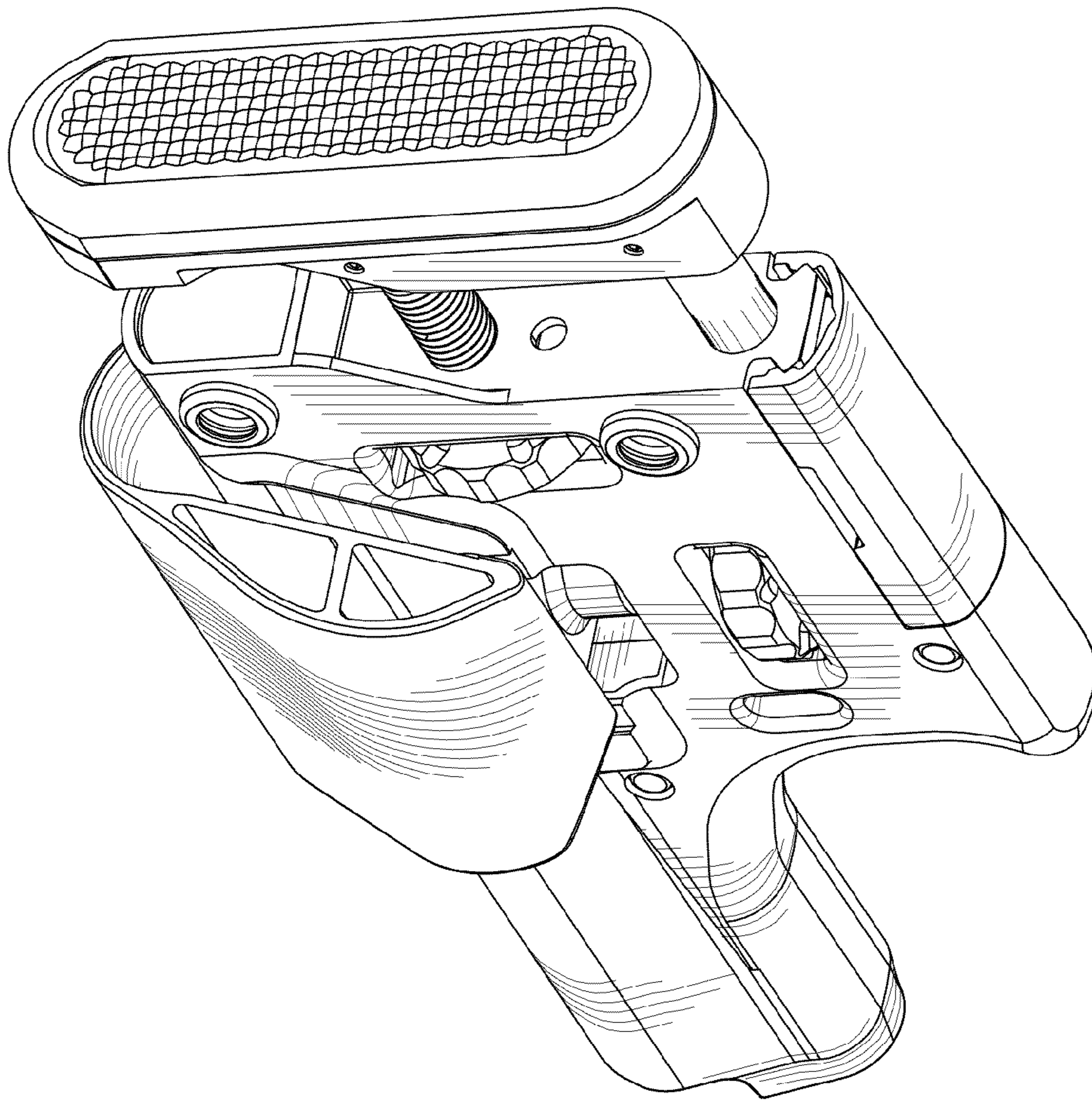


Fig. 2

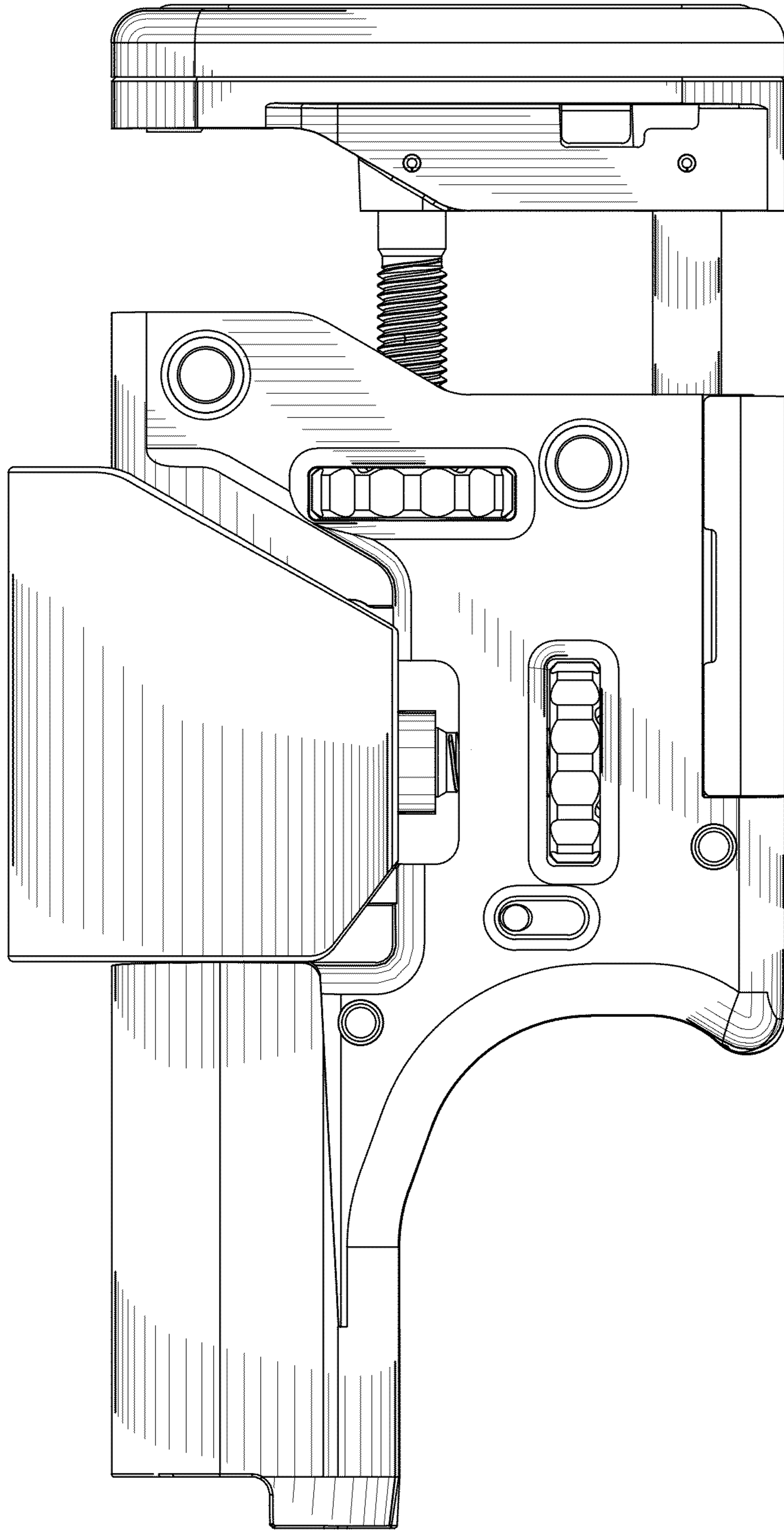


Fig. 3

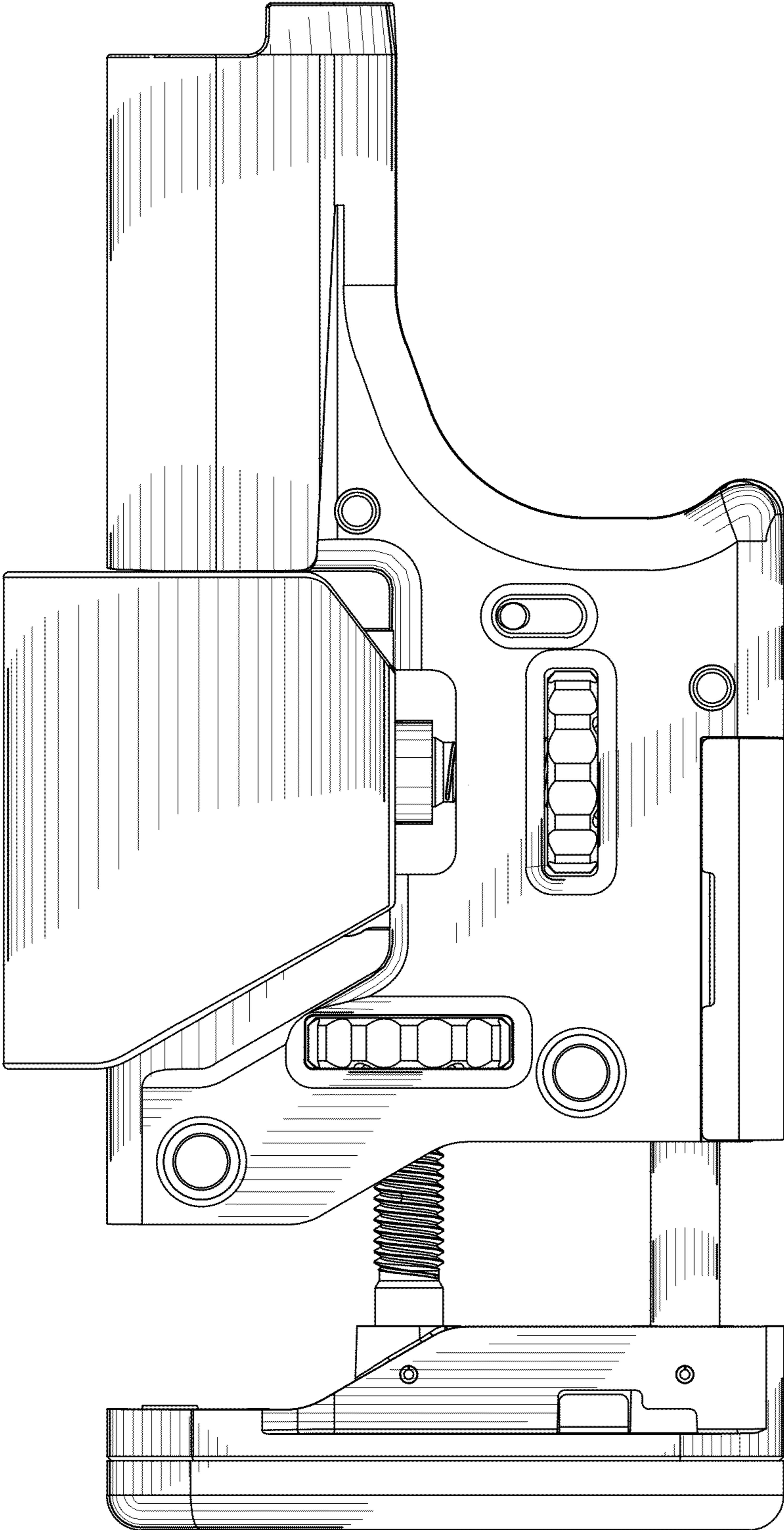


Fig. 4

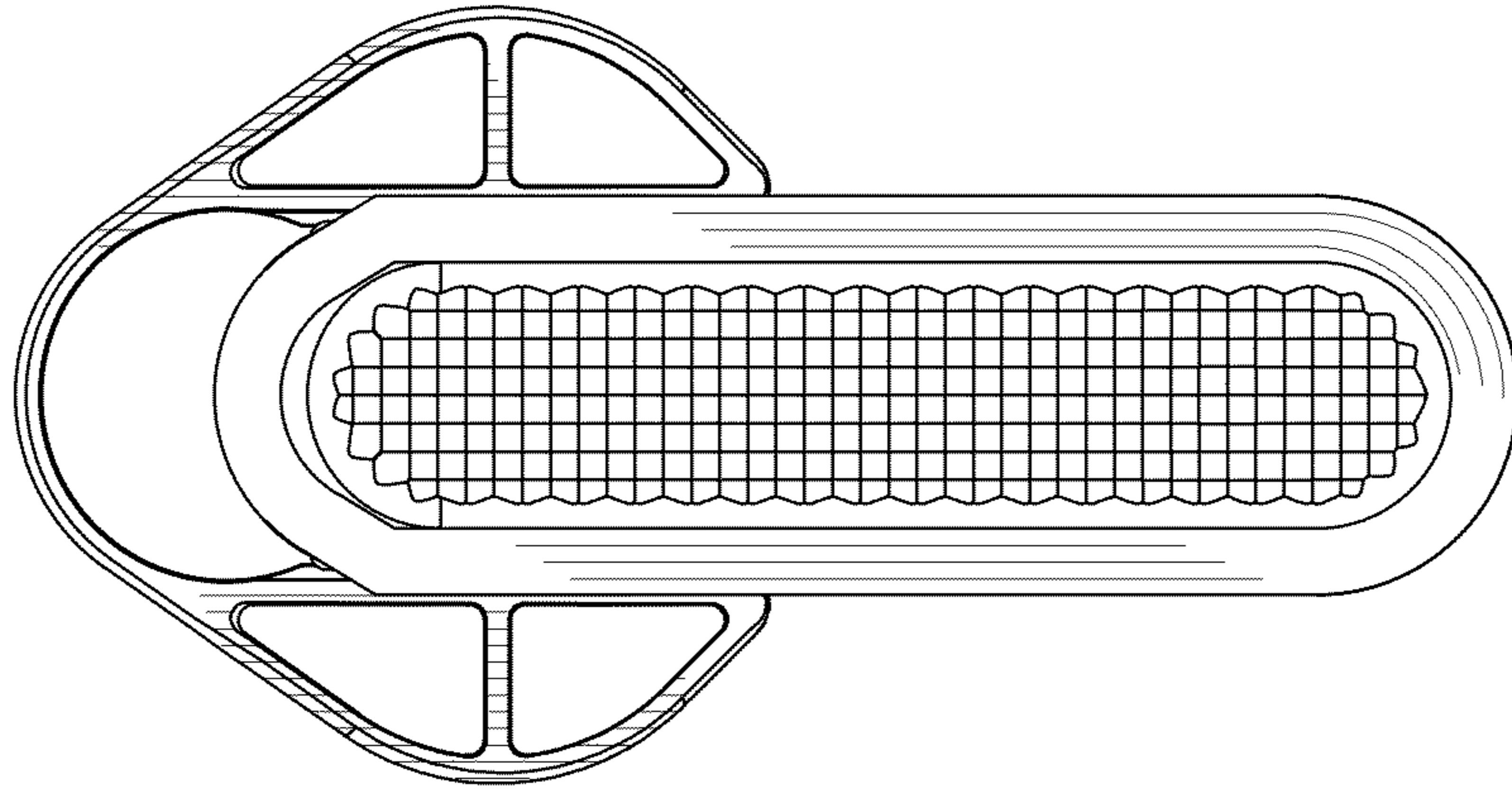


Fig. 5

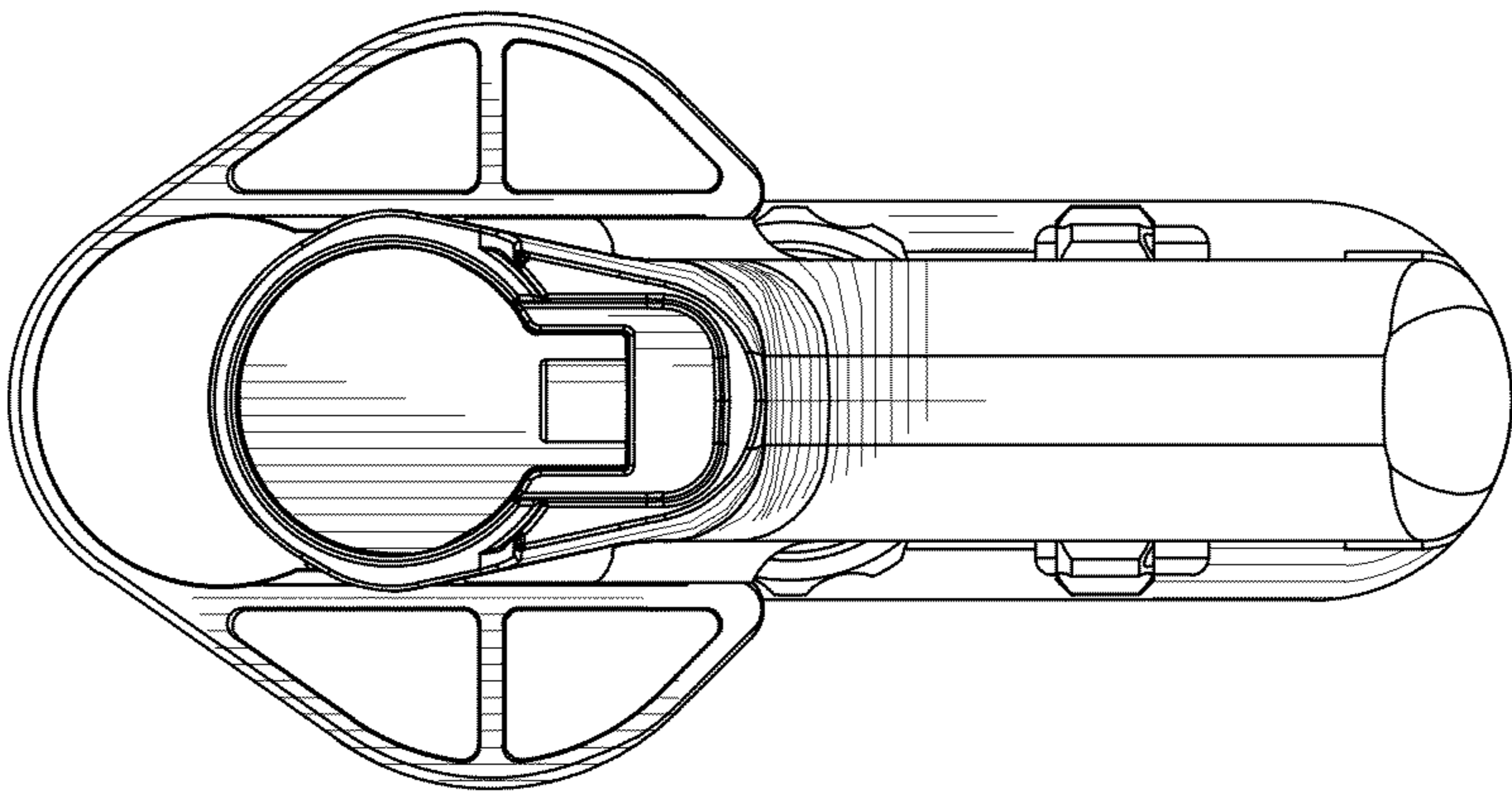


Fig. 6

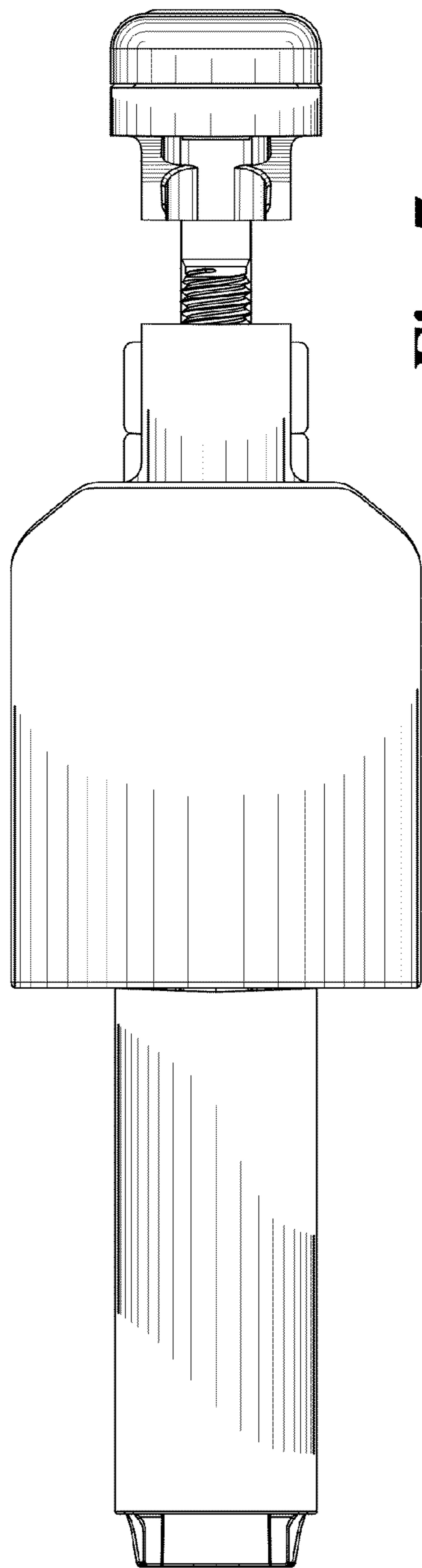


Fig. 7

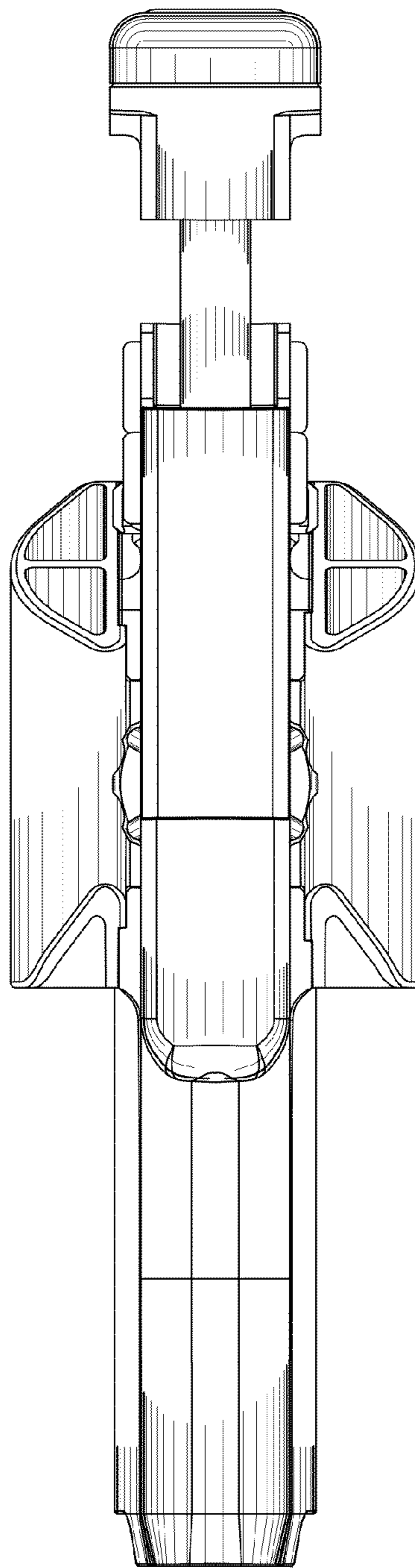


Fig. 8

UNITED STATES PATENT AND TRADEMARK OFFICE
CERTIFICATE OF CORRECTION

PATENT NO. : D733,247 S
APPLICATION NO. : 29/479186
DATED : June 30, 2015
INVENTOR(S) : Karl R. Lewis et al.

Page 1 of 1

It is certified that error appears in the above-identified patent and that said Letters Patent is hereby corrected as shown below:

On the Title Page

In the Description

Please delete “3D model line drawing showing a” from FIG. 1, FIG. 2, FIG. 3, FIG. 4, FIG. 5, FIG. 6, FIG. 7 and FIG. 8.

Please delete “FIG. 1A is a shaded 3D model of FIG. 1”

Please delete “FIG. 2A is a shaded 3D model of FIG. 2”

Please delete “FIG. 3A is a shaded 3D model of FIG. 3”

Please delete “FIG. 4A is a shaded 3D model of FIG. 4”

Please delete “FIG. 5A is a shaded 3D model of FIG. 5”

Please delete “FIG. 6A is a shaded 3D model of FIG. 6”

Please delete “FIG. 7A is a shaded 3D model of FIG. 7”

Please delete “FIG. 8A is a shaded 3D model of FIG. 8”

Signed and Sealed this
Third Day of October, 2017



Joseph Matal
*Performing the Functions and Duties of the
Under Secretary of Commerce for Intellectual Property and
Director of the United States Patent and Trademark Office*