



US00D733246S

(12) **United States Design Patent**
Wells et al.

(10) **Patent No.:** **US D733,246 S**
(45) **Date of Patent:** **** Jun. 30, 2015**

(54) **WEAPON ATTACHMENT**

(71) Applicant: **SureFire, LLC**, Fountain Valley, CA
(US)

(72) Inventors: **William Wells**, Costa Mesa, CA (US);
Michael D. Picciotta, Yorba Linda, CA
(US)

(73) Assignee: **SureFire, LLC**, Fountain Valley, CA
(US)

(**) Term: **14 Years**

(21) Appl. No.: **29/479,013**

(22) Filed: **Jan. 10, 2014**

(51) **LOC (10) Cl.** **22-01**

(52) **U.S. Cl.**
USPC **D22/108**

(58) **Field of Classification Search**
USPC D22/103, 108; 362/109-114; 42/90, 94,
42/114, 117, 124-127, 131, 146;
89/40.06, 41.19, 37.04, 33.04, 191.01,
89/200-204; 124/67, 66, 72, 74
CPC F41C 23/10; F41C 23/14; F41C 23/16;
F41C 23/18
See application file for complete search history.

(56) **References Cited**

U.S. PATENT DOCUMENTS

6,508,027	B1	1/2003	Kim	
D477,855	S	7/2003	Selvaggio	
6,671,990	B1	1/2004	Booth	
6,779,288	B1	8/2004	Kim	
7,191,557	B2	3/2007	Gablowski et al.	
7,216,451	B1	5/2007	Troy	
D556,289	S *	11/2007	Yu	D22/108
7,363,741	B2	4/2008	DeSomma et al.	
D590,473	S	4/2009	Fitzpatrick et al.	
D606,614	S *	12/2009	Fitzpatrick et al.	D22/103
D636,453	S *	4/2011	Fitzpatrick et al.	D22/108

7,941,959	B1	5/2011	Swan	
D639,376	S *	6/2011	Ding	D22/108
8,091,265	B1	1/2012	Teetzel et al.	
D656,215	S *	3/2012	Fitzpatrick et al.	D22/108
D670,782	S *	11/2012	Barrett	D22/103
8,336,243	B2	12/2012	Langevin et al.	
8,453,364	B2	6/2013	Kucynko	
8,595,970	B2	12/2013	Picciotta et al.	
D699,807	S *	2/2014	Lee	D22/108
D702,792	S *	4/2014	Burt et al.	D22/103
D703,286	S *	4/2014	Chen et al.	D22/108
8,726,558	B1 *	5/2014	Nason	42/71.01
D708,694	S	7/2014	Wells et al.	

(Continued)

OTHER PUBLICATIONS

<http://blogs.militarytimes.com/gearscout/2012/01/18/noveske-nsr-11/> published Jan. 18, 2012.

Primary Examiner — Michael A Pratt

(74) *Attorney, Agent, or Firm* — Haynes and Boone, LLP

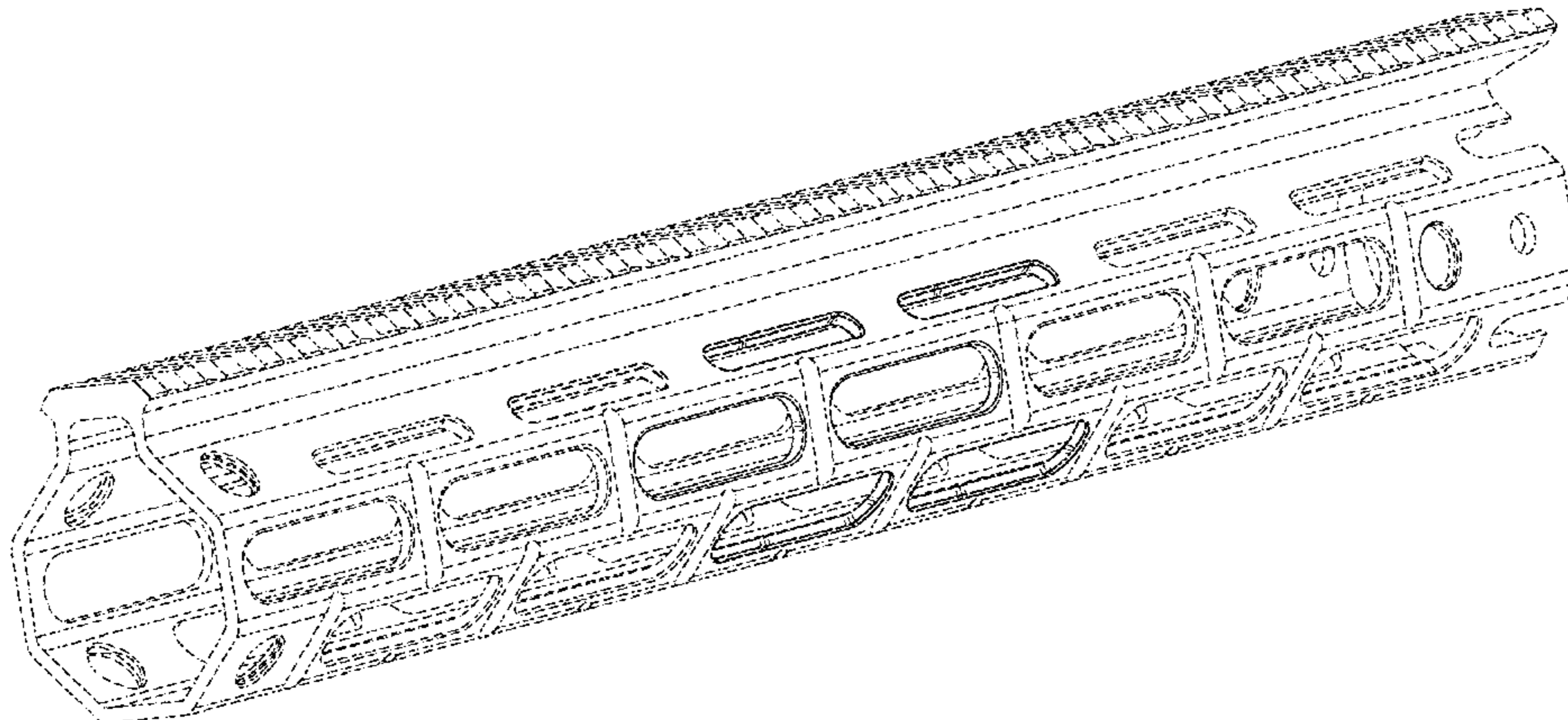
(57) **CLAIM**

The ornamental design for a weapon attachment, as shown and described.

DESCRIPTION

FIG. 1 is a front perspective view of a weapon attachment showing our new design; FIG. 2 is a rear perspective view thereof; FIG. 3 is a left side elevational view thereof; FIG. 4 is a right side elevational view thereof; FIG. 5 is a top plan view thereof; FIG. 6 is a bottom plan view thereof; FIG. 7 is a front side elevational view thereof; and FIG. 8 is a rear side elevational view thereof; and, FIG. 9 is a left side elevational view of the weapon attachment implemented as part of an example hand guard having an attached rail and mounted on an example firearm. The broken lines in the drawings illustrate environmental features and form no part of the claimed design.

1 Claim, 8 Drawing Sheets



(56)

References Cited

U.S. PATENT DOCUMENTS

8,769,853 B1 *	7/2014	LaRue	42/71.01	2009/0038198 A1	2/2009	Yu	
D721,407 S *	1/2015	Chu	D21/574	2010/0319231 A1	12/2010	Stone et al.	
8,925,236 B1 *	1/2015	Mayberry et al.	42/124	2011/0107643 A1	5/2011	Fitzpatrick et al.	
8,931,196 B1 *	1/2015	Larue	42/71.01	2011/0252625 A1	10/2011	Daniel	
D722,356 S *	2/2015	Keller et al.	D22/108	2012/0111183 A1	5/2012	Hochstrate et al.	
2008/0301994 A1	12/2008	Langevin et al.		2012/0180358 A1	7/2012	Samson et al.	
				2012/0324775 A1	12/2012	Troy et al.	
				2013/0276341 A1	10/2013	Wells et al.	
				2014/0130390 A1*	5/2014	Geissele	42/71.01

* cited by examiner

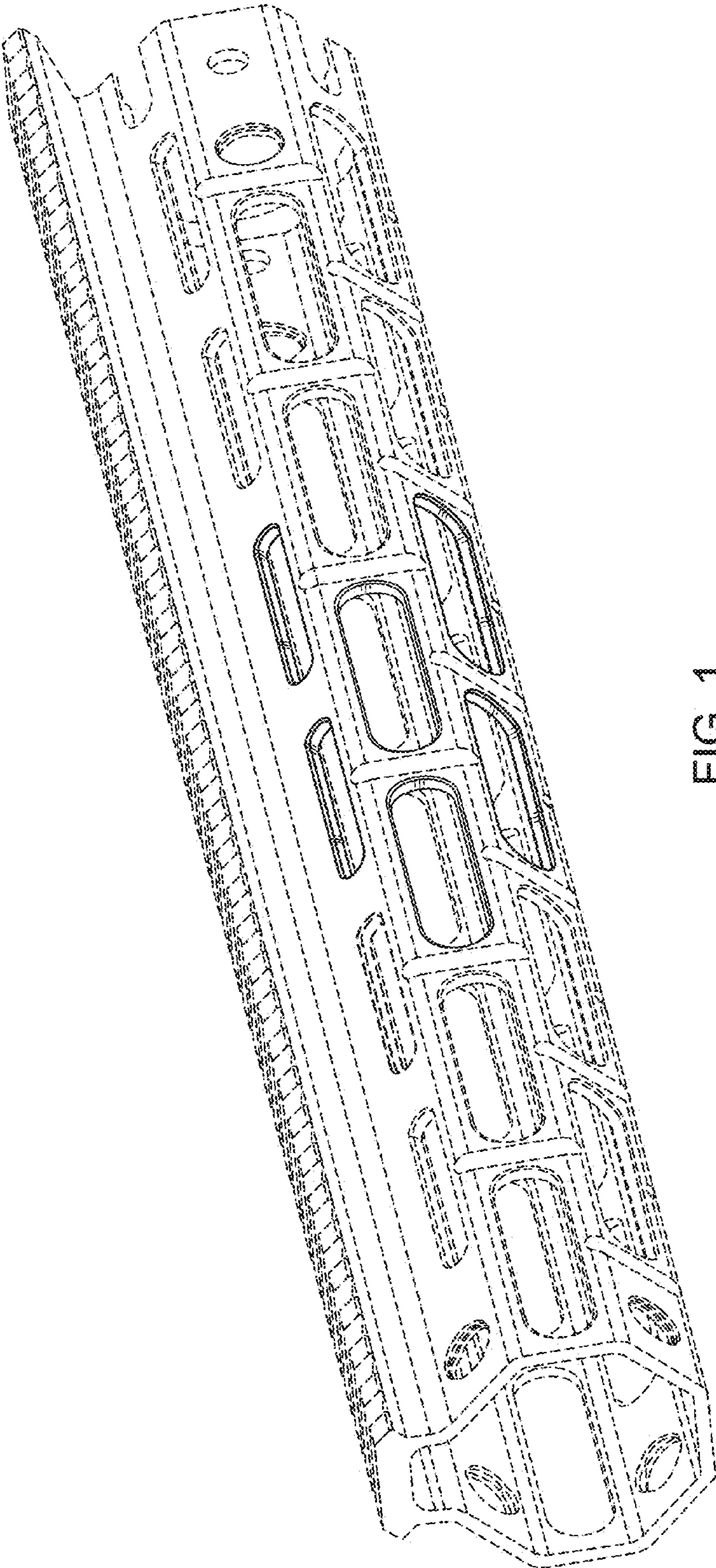


FIG. 1

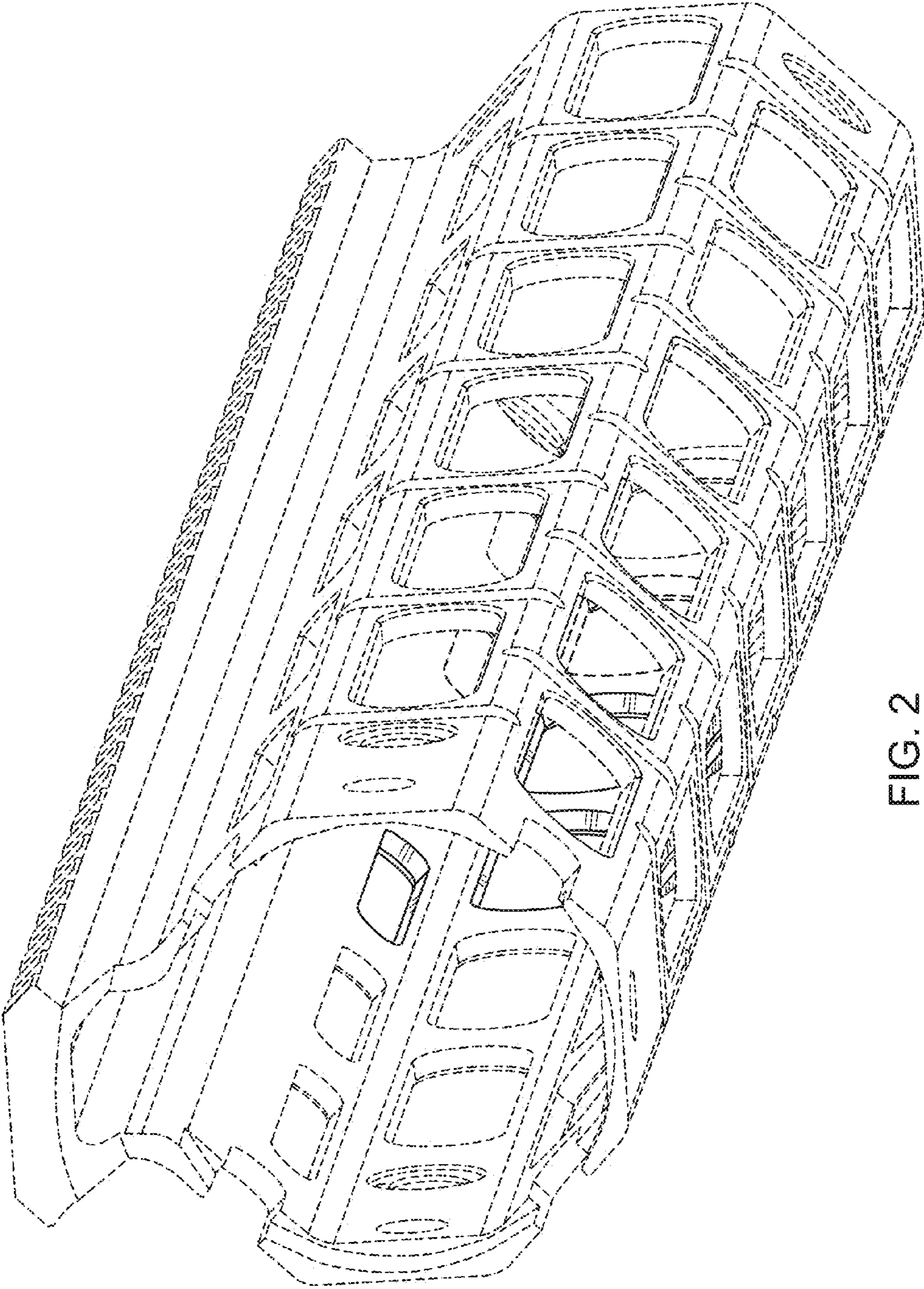


FIG. 2

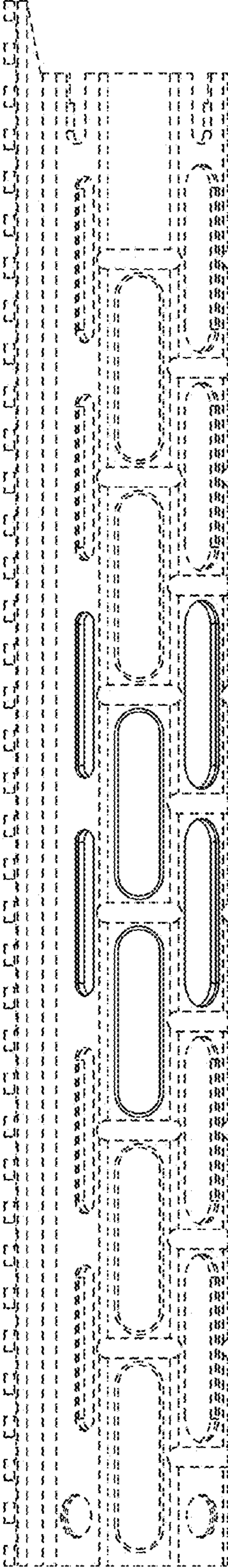


FIG. 3

4/8



FIG. 4

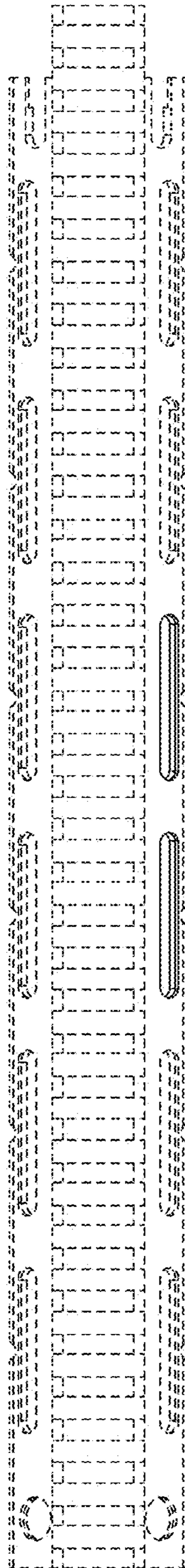


FIG. 5

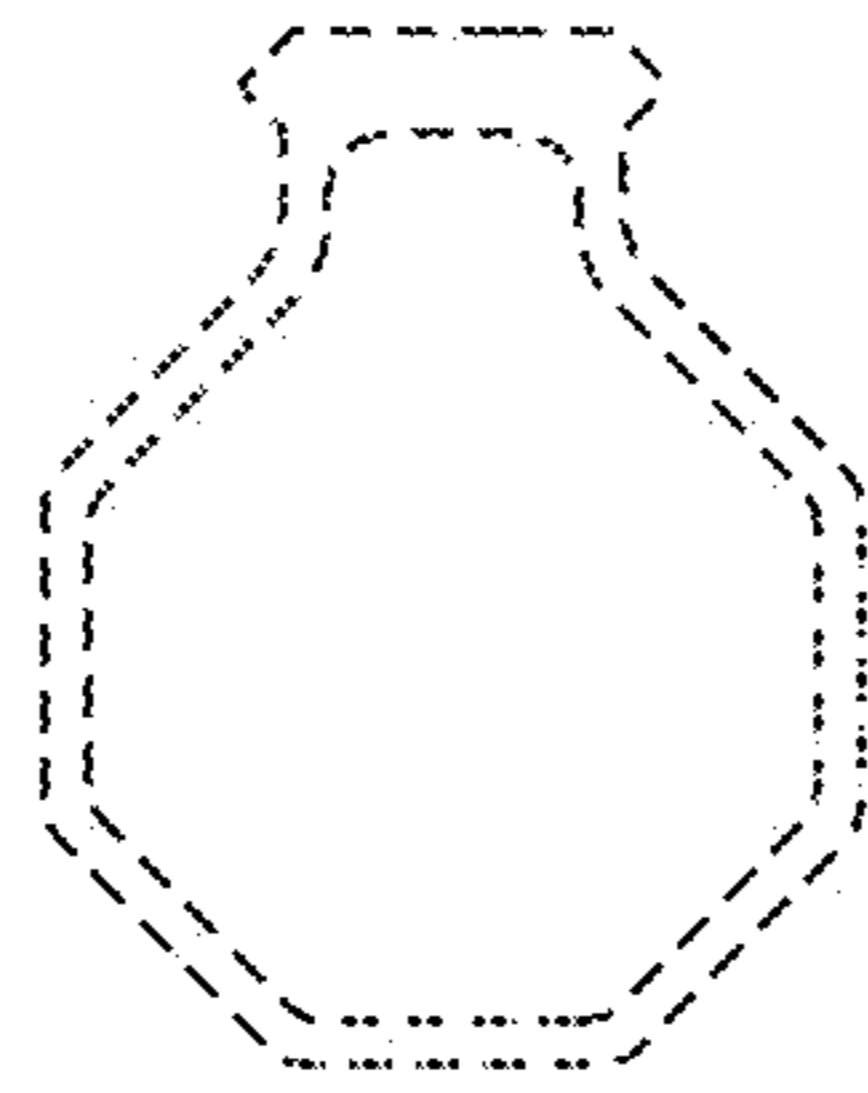


FIG. 7

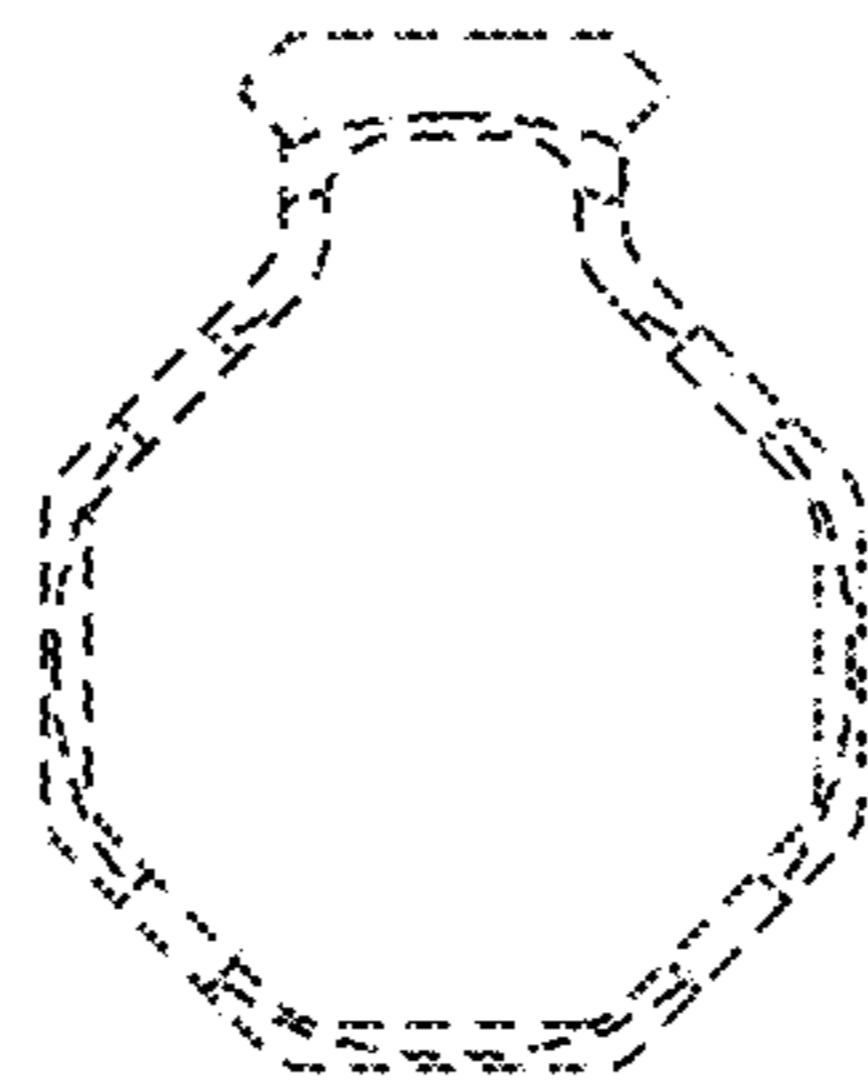


FIG. 8

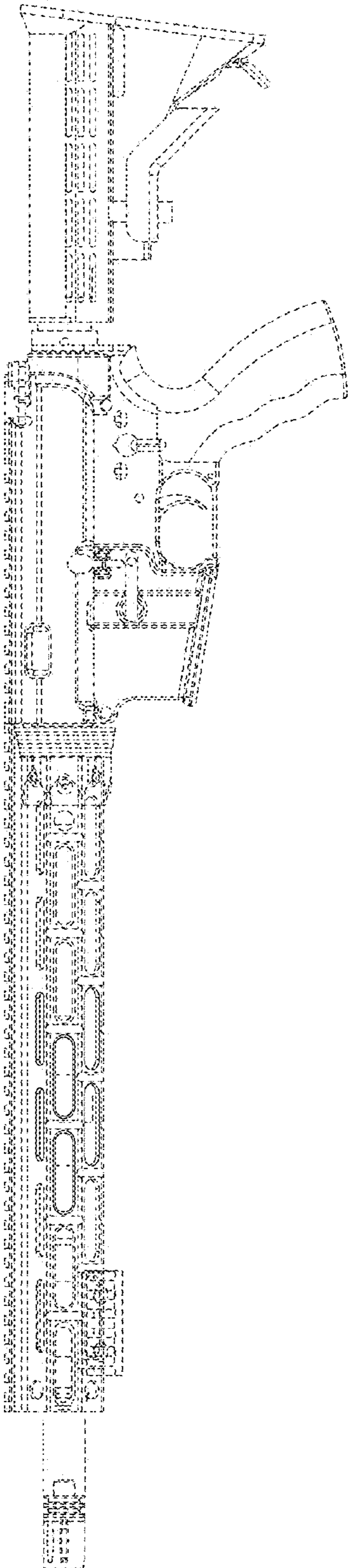


FIG. 9