



US00D733245S

(12) **United States Design Patent**
Wickser, Jr.

(10) **Patent No.:** **US D733,245 S**
(45) **Date of Patent:** **** Jun. 30, 2015**

(54) **FIREARM CLEANING ADAPTER**
(71) Applicant: **Robert Livingston Wickser, Jr.**,
Conway, AR (US)
(72) Inventor: **Robert Livingston Wickser, Jr.**,
Conway, AR (US)
(**) Term: **14 Years**
(21) Appl. No.: **29/477,489**
(22) Filed: **Dec. 23, 2013**

5,628,136	A *	5/1997	Wickser, Jr.	42/95
5,743,040	A *	4/1998	Kennedy	42/95
5,815,975	A *	10/1998	Rambo et al.	42/95
6,131,326	A *	10/2000	Case	42/96
6,691,446	B2 *	2/2004	Graves	42/95
7,481,015	B2 *	1/2009	Mays	42/51
7,788,837	B2 *	9/2010	Binek et al.	42/95
8,079,170	B2 *	12/2011	Loftin	42/95
D672,423	S *	12/2012	Buie, II	D22/108
8,327,571	B2 *	12/2012	Jaquish et al.	42/95
2013/0283658	A1 *	10/2013	Buie, II	42/95
2014/0123530	A1 *	5/2014	Williams et al.	42/95

* cited by examiner

Primary Examiner — Michael A Pratt

(74) *Attorney, Agent, or Firm* — J. Curtis Edmondson; Law Offices of J. Curtis Edmondson

Related U.S. Application Data

(63) Continuation-in-part of application No. 13/589,556, filed on Aug. 20, 2012.

(51) **LOC (10) Cl.** **22-01**

(52) **U.S. Cl.**
USPC **D22/108**

(58) **Field of Classification Search**
USPC D22/108, 199; 81/3.05; 269/249–251;
49/94, 100, 249; 33/233, 252, 613;
D8/14–16, 51, 71–72, 80, 83, 88, 89;
15/104.16, 104.165; 42/90–95
CPC F41A 29/00
See application file for complete search history.

(57) **CLAIM**

I claim the ornamental design for a firearm cleaning adapter, as shown and described.

DESCRIPTION

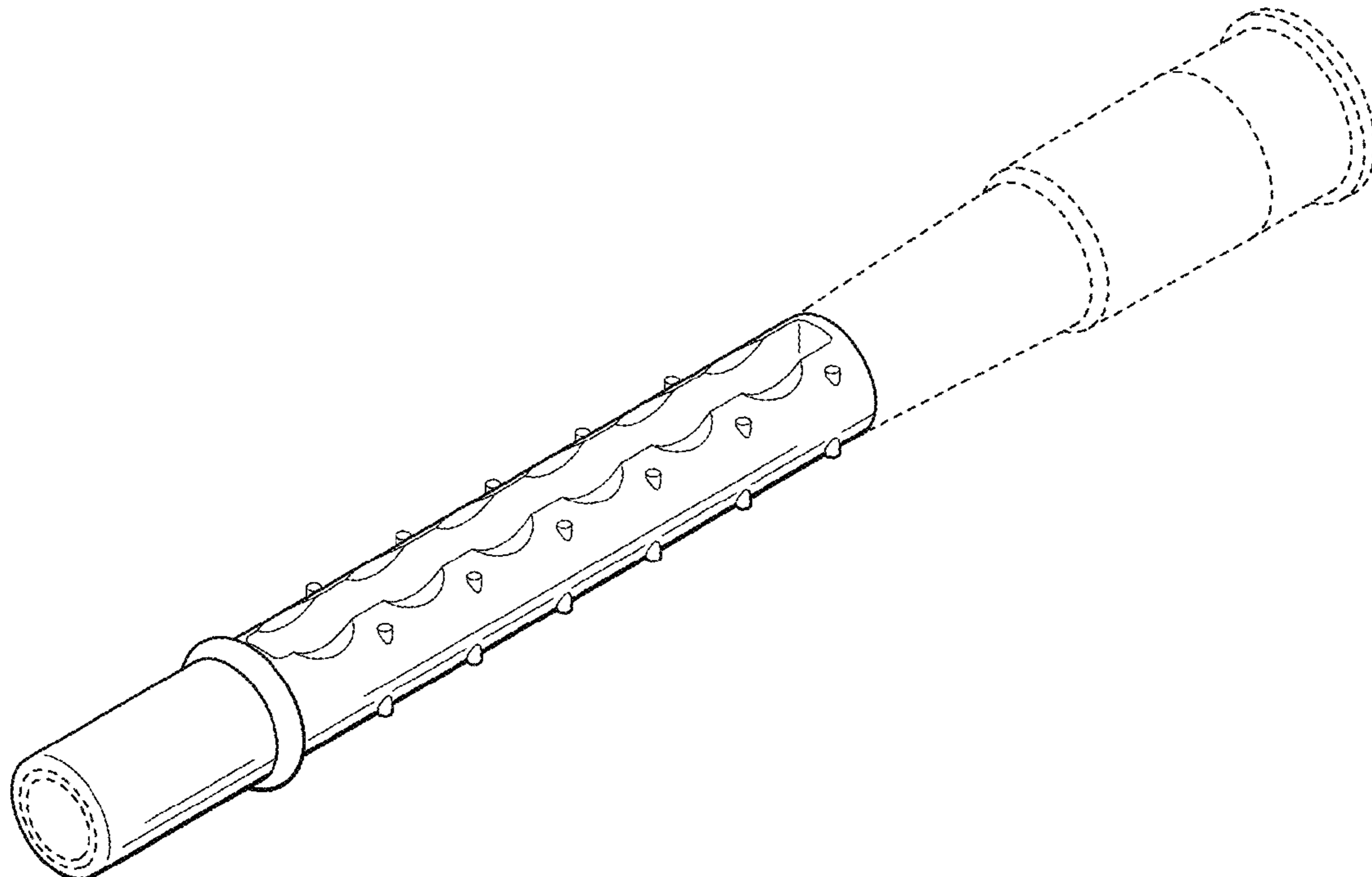
FIG. 1 is a perspective view from the front left view of the firearm cleaning adapter;
FIG. 2 is a bottom side view thereof;
FIG. 3 is a top side view thereof;
FIG. 4 is an end view of the left side thereof; and,
FIG. 5 is an end view of the right side thereof.
The broken lines shown in the drawings illustrate portions of the firearm cleaning adapter that form no part of the claimed design.

(56) **References Cited**

U.S. PATENT DOCUMENTS

1,386,862	A *	8/1921	Roswell et al.	15/104.165
1,516,438	A *	11/1924	Inskip	15/104.16

1 Claim, 1 Drawing Sheet



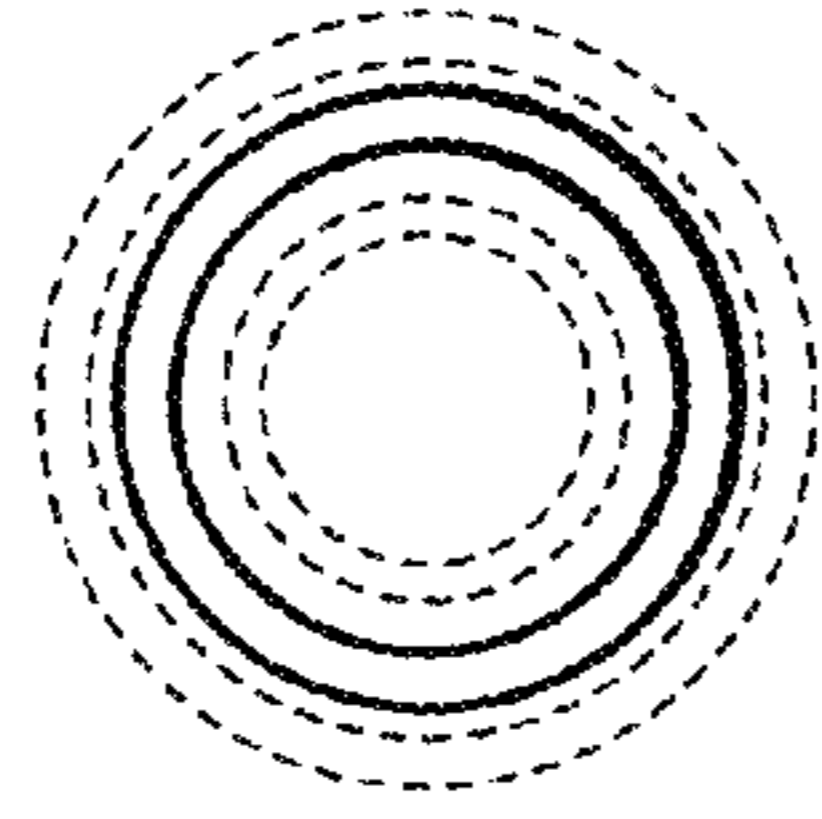
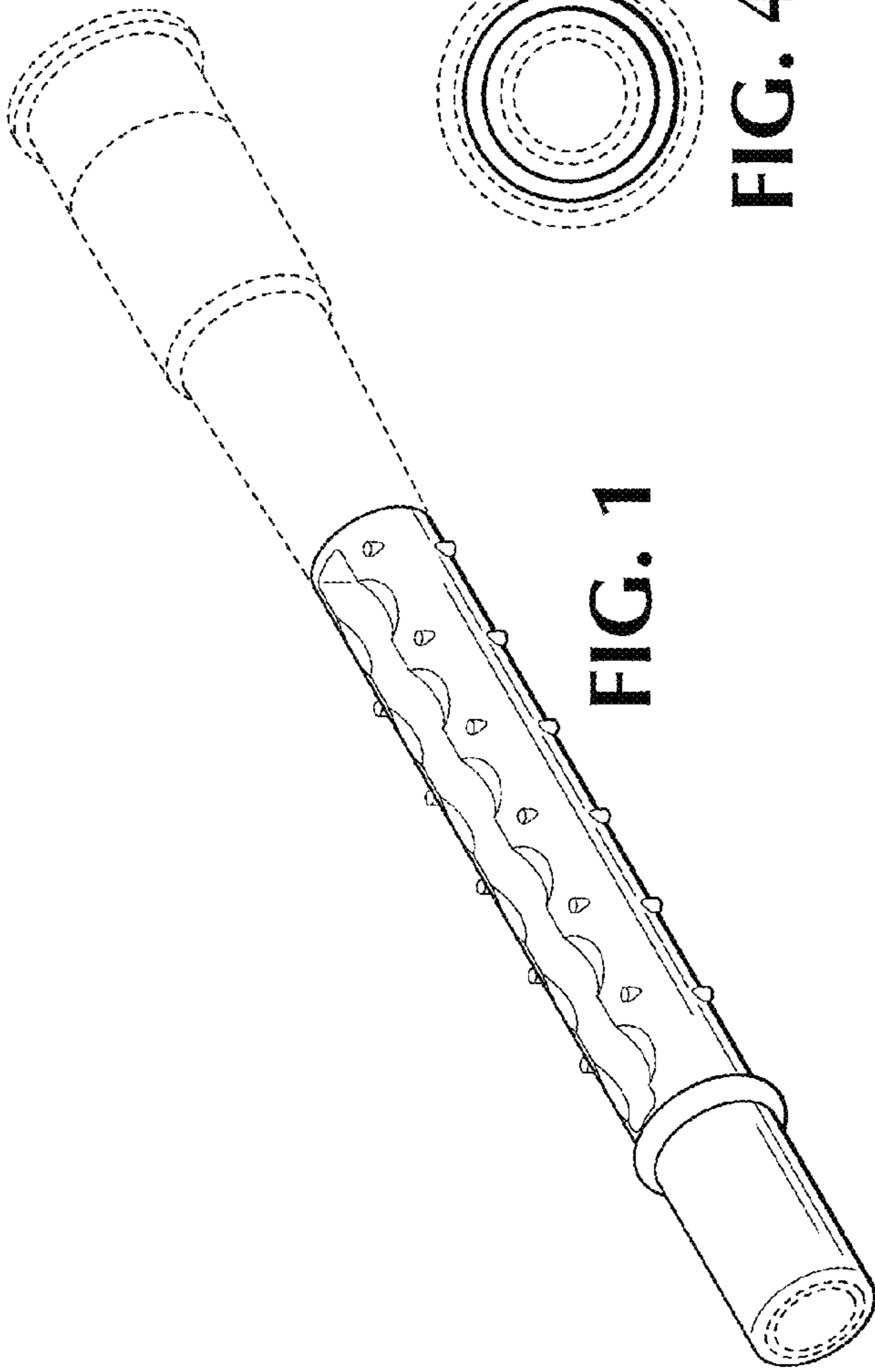


FIG. 4

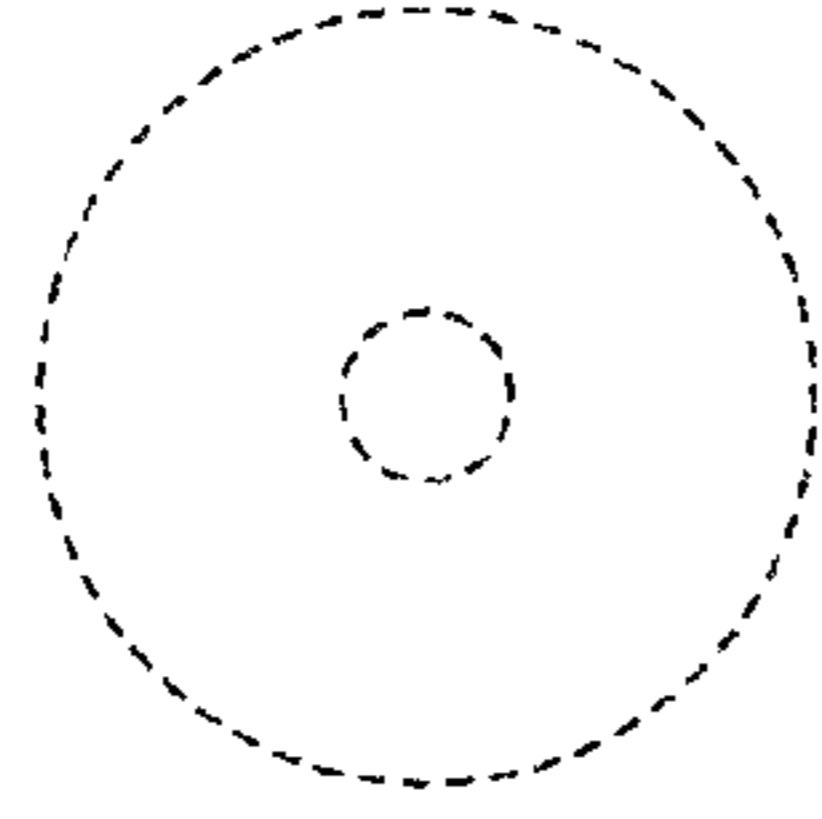


FIG. 5

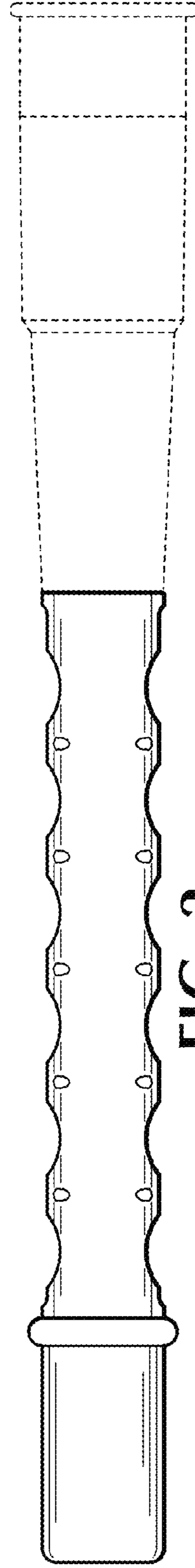


FIG. 2

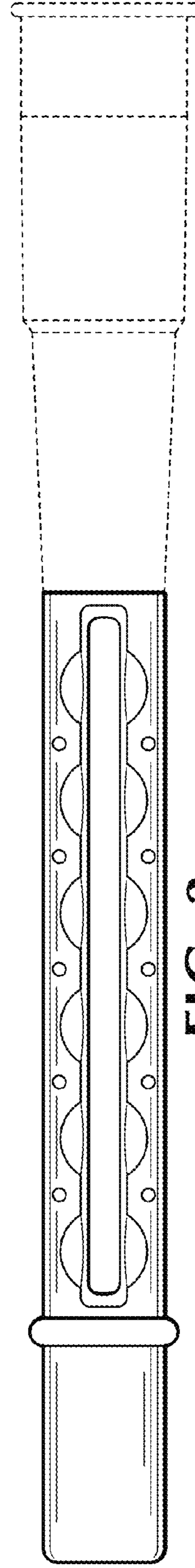


FIG. 3