



US00D733242S

(12) **United States Design Patent**
Svendsen et al.

(10) **Patent No.:** **US D733,242 S**
(45) **Date of Patent:** **** Jun. 30, 2015**

- (54) **SKI BINDING**
- (71) Applicant: **Rottefella AS**, Klokkearstua (NO)
- (72) Inventors: **Øyvar Svendsen**, Oslo (NO); **Even Wøllo**, Nærsnes (NO)
- (73) Assignee: **ROTTEFELLA AS** (NO)
- (**) Term: **14 Years**
- (21) Appl. No.: **29/483,941**
- (22) Filed: **Mar. 4, 2014**
- (30) **Foreign Application Priority Data**

6,533,625	B1	3/2003	Taylor	
6,848,703	B2	2/2005	Godde et al.	
D532,475	S	11/2006	Hauglin et al.	
D537,140	S	2/2007	Battistoni	
D538,372	S	3/2007	Bonnemere	
7,252,301	B2	8/2007	Välíkangas	
7,393,000	B2	7/2008	Resch et al.	
D617,408	S	6/2010	Girard et al.	
7,744,113	B2	6/2010	Farges	
D626,616	S	*	Girard et al.	D21/773
D627,027	S	*	Girard et al.	D21/773
D647,156	S	10/2011	Svendsen et al.	
D650,030	S	12/2011	Svendsen et al.	
D650,461	S	*	Svendsen et al.	D21/773
D697,568	S	1/2014	Svendsen et al.	
D697,569	S	1/2014	Svendsen et al.	
2002/0014757	A1	2/2002	Silva	
2012/0187643	A1	*	Wollo et al.	280/11.31

* cited by examiner

Primary Examiner — Zenia Bennett

(74) *Attorney, Agent, or Firm* — Kolisch Hartwell, P.C.

- Sep. 4, 2013 (NO) 20130925
- (51) **LOC (10) Cl.** **21-02**
- (52) **U.S. Cl.**
USPC **D21/773**
- (58) **Field of Classification Search**
USPC D21/760, 761, 765, 766, 801, 803;
441/65-66, 68-69, 72-75, 79; D12/6;
280/11.3, 11.31, 601-606, 609-610
CPC A63C 5/04
See application file for complete search history.

(57) **CLAIM**

We claim the ornamental design for a ski binding, as shown and described.

DESCRIPTION

FIG. 1 is a top, rear, and left-side perspective view of a ski binding according to an embodiment of the present invention. FIG. 2 is a top plan of the embodiment of FIG. 1. FIG. 3 is a bottom plan of the embodiment of FIG. 1. FIG. 4 is a left-side elevation of the embodiment of FIG. 1; the right side is a mirror image thereof. FIG. 5 is a rear elevation of the embodiment of FIG. 1; and, FIG. 6 is a front elevation of the embodiment of FIG. 1. The views of FIGS. 5 and 6 are depicted at a larger scale than that used for FIGS. 2-4. The broken lines shown in the drawings are for illustrative purposes only and form no part of the claimed design.

1 Claim, 3 Drawing Sheets

(56) **References Cited**

U.S. PATENT DOCUMENTS

D299,734	S	2/1989	Sedlmair	
D323,200	S	1/1992	Mermillod	
D329,267	S	9/1992	Arnulf	
D341,640	S	11/1993	Hauglin	
D341,864	S	11/1993	Hauglin	
5,480,175	A	1/1996	Astier et al.	
D375,773	S	11/1996	Hauglin	
D390,901	S	2/1998	Hauglin	
5,746,439	A	*	Boehm et al.	280/602
D425,162	S	5/2000	Hauglin	
D425,955	S	5/2000	Girard et al.	

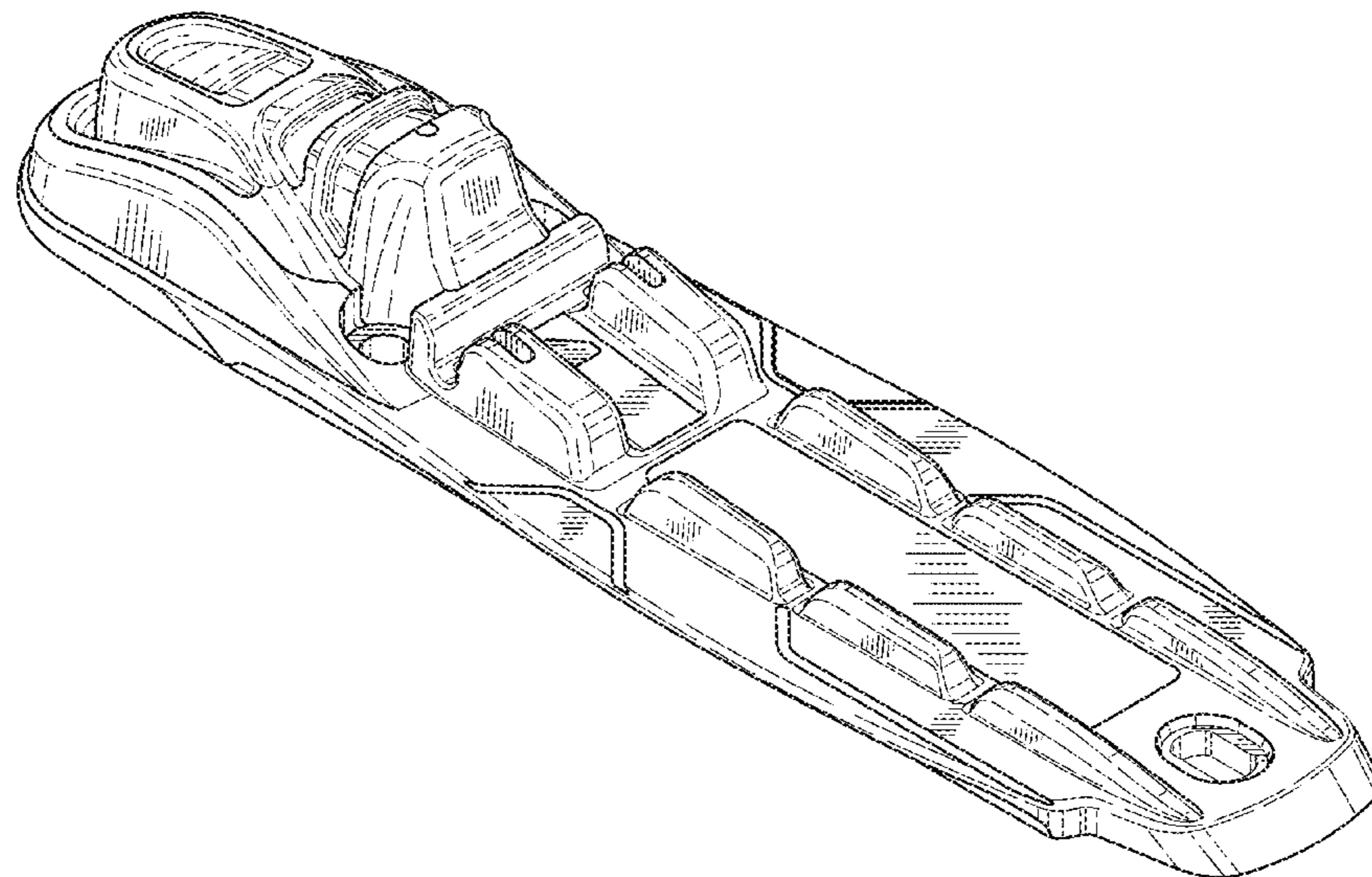


Fig. 1

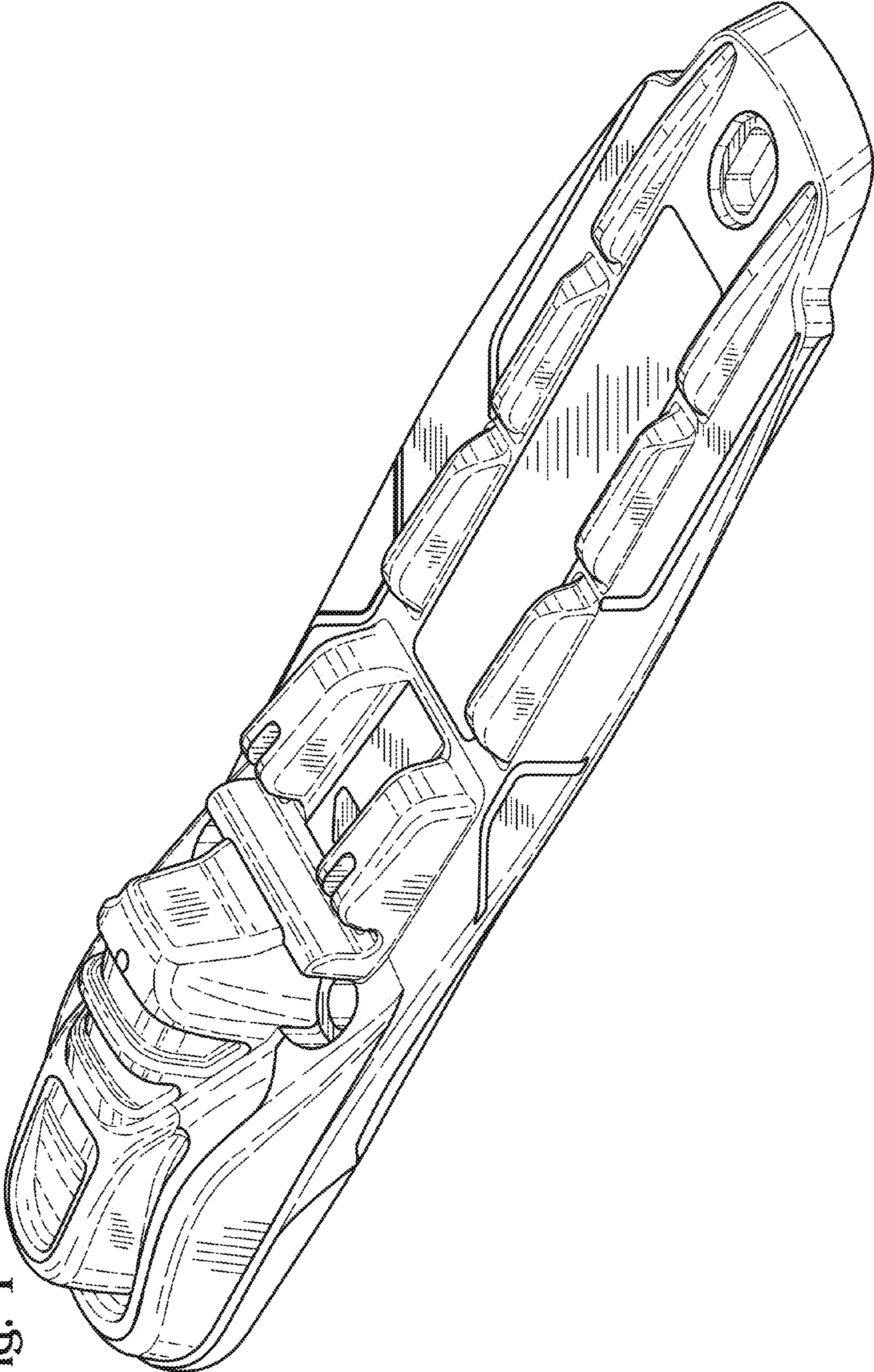


Fig. 2

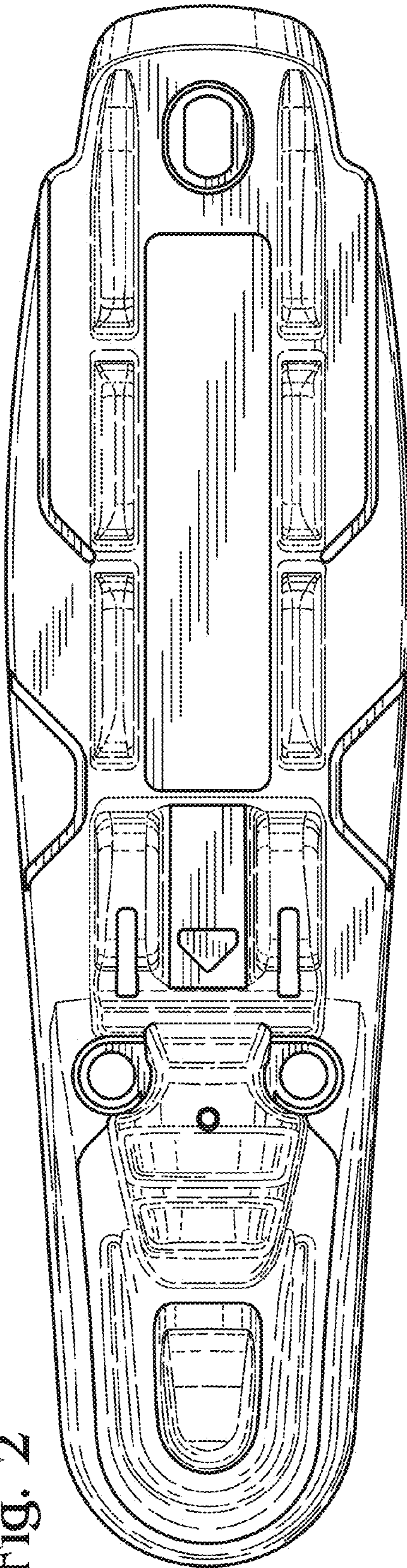


Fig. 3

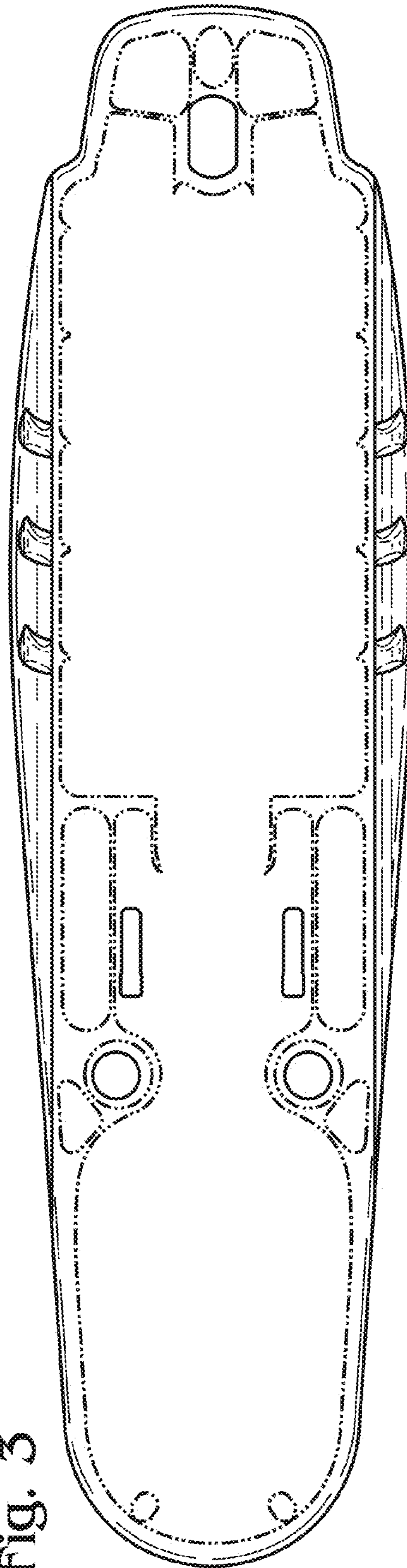


Fig. 4

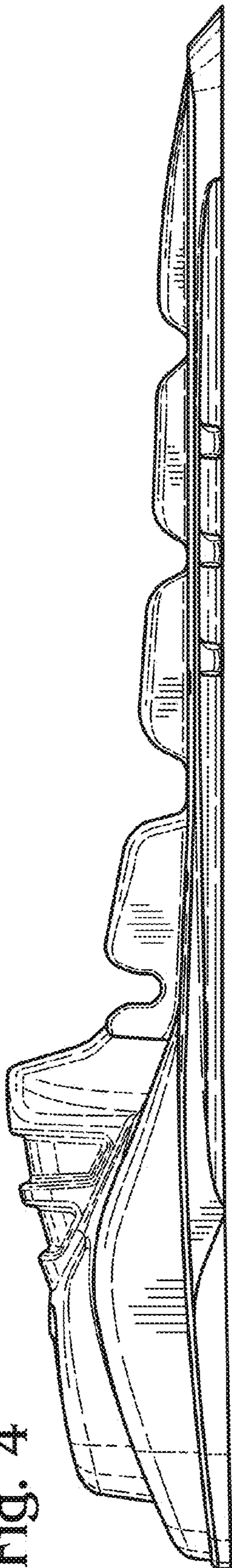


Fig. 5

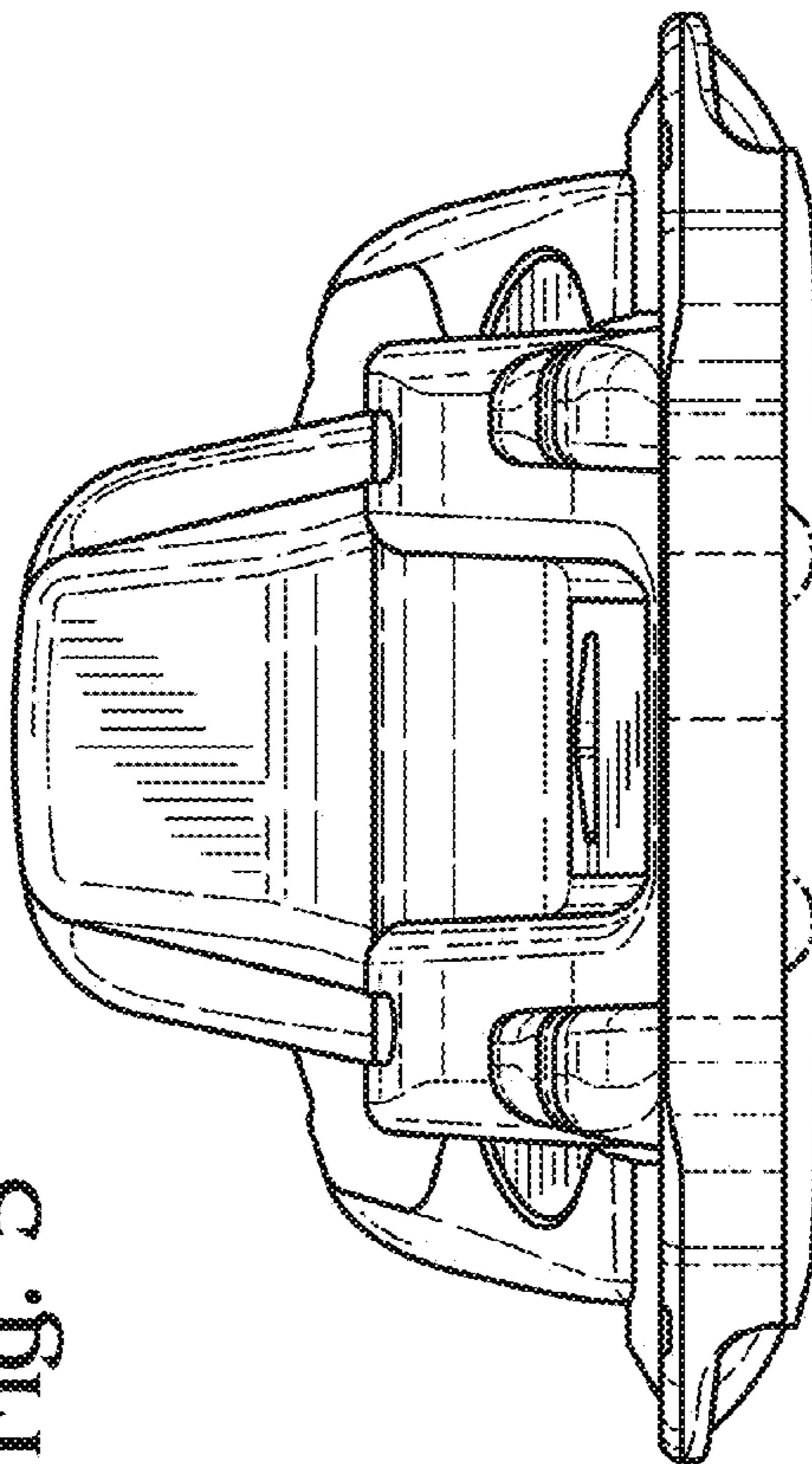


Fig. 6

