



US00D733240S

(12) **United States Design Patent**
Wilson et al.

(10) **Patent No.:** **US D733,240 S**
(45) **Date of Patent:** **** Jun. 30, 2015**

- (54) **FLAT BOTTOM VEE ICE SKATE BLADE**
- (71) Applicant: **1339513 Ontario Ltd.**, Harrow (CA)
- (72) Inventors: **Murray David Wilson**, Harrow (CA);
Steven David Wilson, Harrow (CA);
Omer Leon Hageniers, Windsor (CA)
- (73) Assignee: **1339513 Ontario Ltd.**, Ontario (CA)
- (**) Term: **14 Years**
- (21) Appl. No.: **29/464,463**
- (22) Filed: **Aug. 16, 2013**

Related U.S. Application Data

- (63) Continuation of application No. 29/388,321, filed on Mar. 28, 2011, now Pat. No. Des. 688,343, which is a continuation-in-part of application No. 29/333,603, filed on Mar. 12, 2009, now Pat. No. Des. 637,676, and a continuation-in-part of application No. 12/402,838, filed on Mar. 12, 2009, now Pat. No. 8,056,907.
- (51) **LOC (10) Cl.** **21-02**
- (52) **U.S. Cl.**
USPC **D21/761**
- (58) **Field of Classification Search**
USPC D21/760, 761, 762, 771, 772, 776;
280/7.13, 11.12, 11.15, 11.14, 11.17,
280/11.18, 11.223, 11.3, 825, 841
See application file for complete search history.

References Cited

U.S. PATENT DOCUMENTS

60,431 A 12/1866 Scott et al.
83,339 A 10/1868 Thurston

(Continued)

FOREIGN PATENT DOCUMENTS

CA 1179696 12/1984
CA 2173001 2/1997

(Continued)

OTHER PUBLICATIONS

CA Office Action dated Dec. 13, 2011 for Canadian Application No. 2,630,749, filed May 6, 2008, entitled "Ice Skate Blade Sharpening Machine" to Hageniers et al., 3 pages.

(Continued)

Primary Examiner — Cynthia M Chin

(74) *Attorney, Agent, or Firm* — Remarck Law Group PLC

(57) **CLAIM**

The ornamental design for a flat bottom vee ice skate blade, as shown and described.

DESCRIPTION

FIG. 1 is a perspective view of a flat bottom vee ice skate blade.

FIG. 2 is an enlarged front side view of the ice skate blade of FIG. 1.

FIG. 3 is an enlarged rear side view of the ice skate blade of FIG. 1.

FIG. 4 is a reduced top view of the ice skate blade of FIG. 1.

FIG. 5 is a reduced bottom view of the ice skate blade of FIG. 1.

FIG. 6 is a right side view of the ice skate blade of FIG. 1.

FIG. 7 is a left side view of the ice skate blade of FIG. 1.

FIG. 8 is a greatly enlarged close-up of the front side of FIG. 2.

FIG. 9 is a cross-sectional view of the ice skate blade taken from line 9-9 of FIG. 2.

FIG. 10 is a perspective view of a flat bottom vee ice skate blade.

FIG. 11 is an enlarged front side view of the ice skate blade of FIG. 10.

FIG. 12 is an enlarged rear side view of the ice skate blade of FIG. 10.

FIG. 13 is a reduced top view of the ice skate blade of FIG. 10.

FIG. 14 is a reduced bottom view of the ice skate blade of FIG. 10.

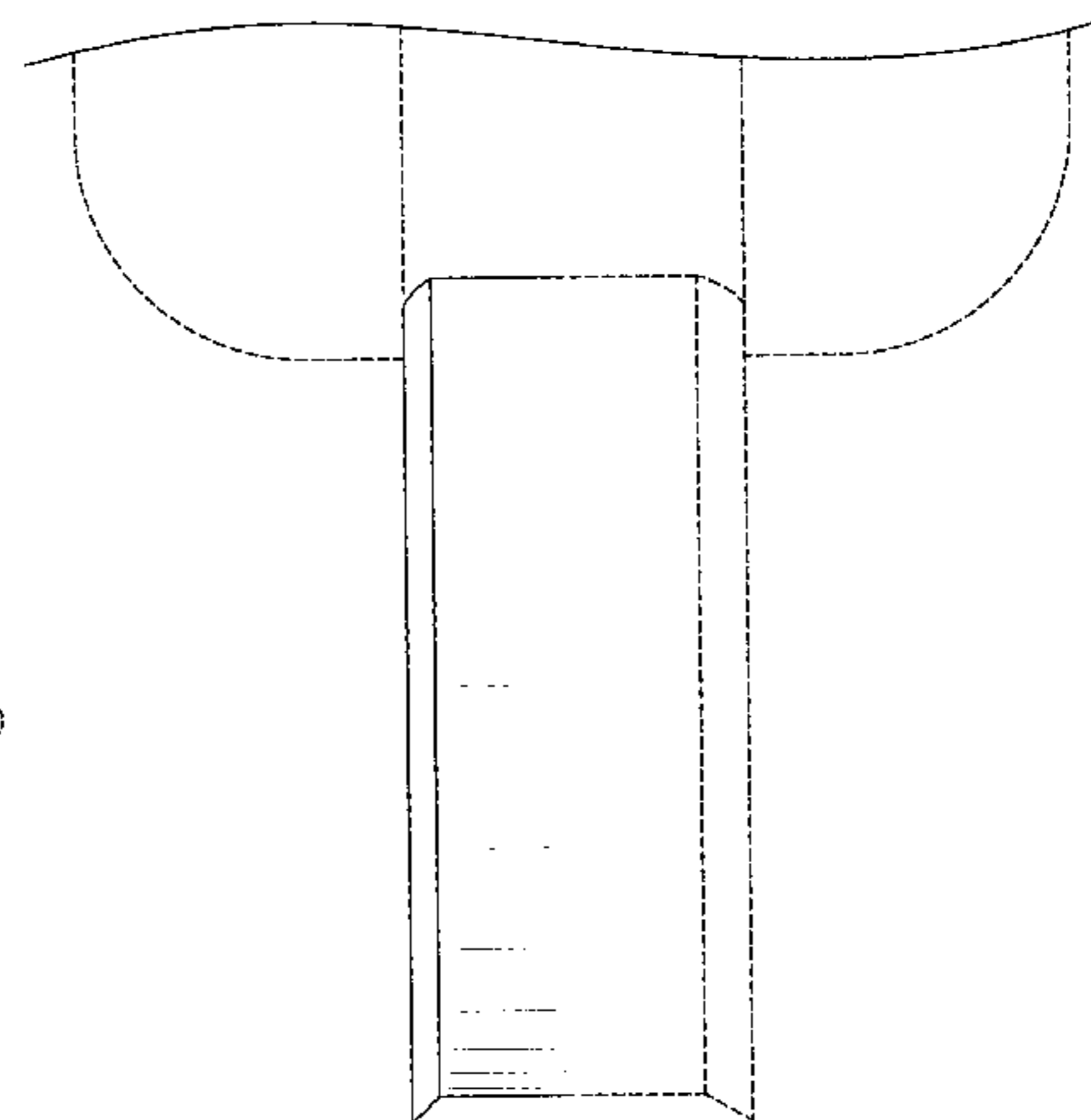
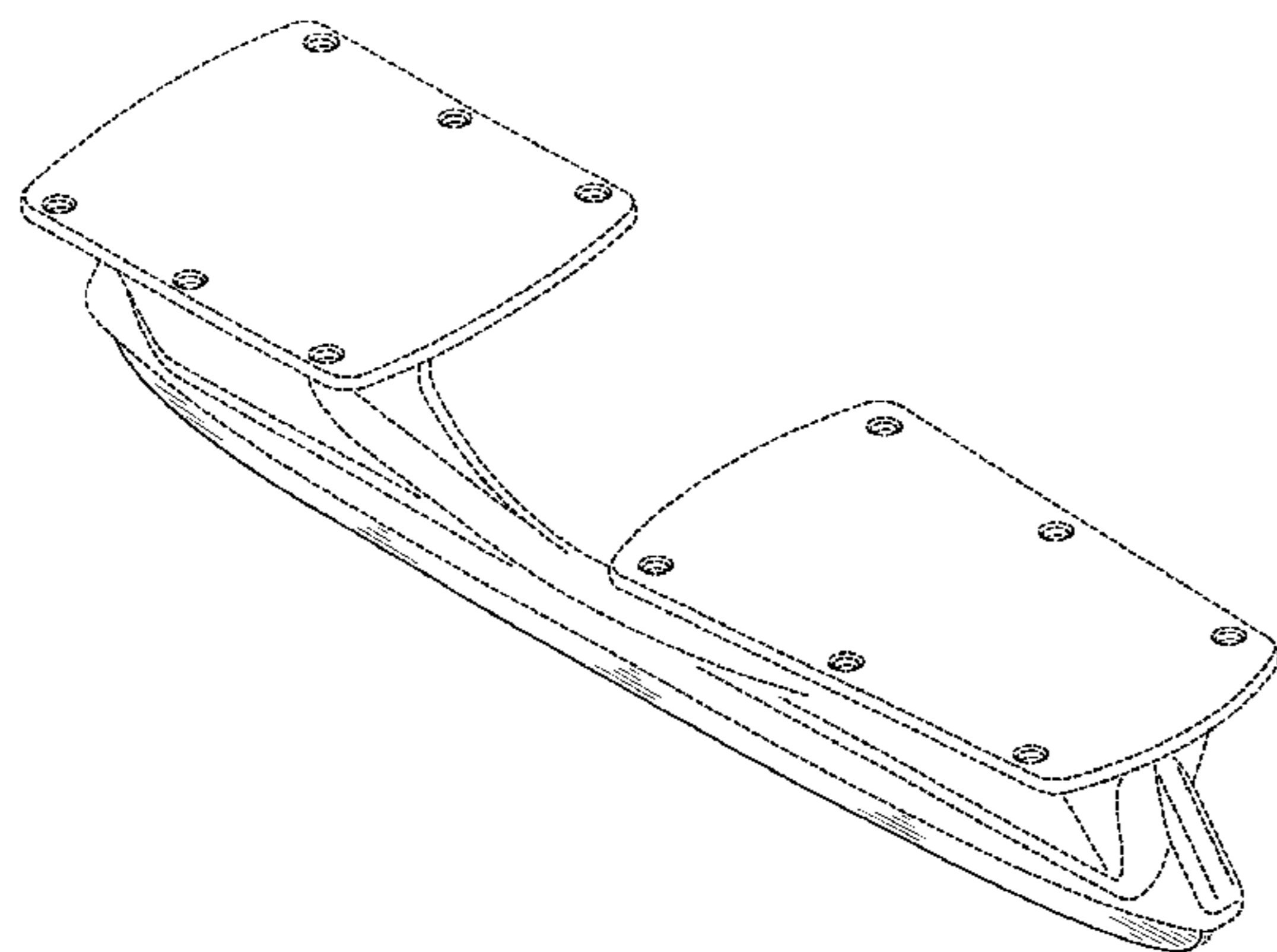
FIG. 15 is a right side view of the ice skate blade of FIG. 10.

FIG. 16 is a left side view of the ice skate blade of FIG. 10; and,

FIG. 17 is a greatly enlarged close-up of the front side view of FIG. 11.

The broken line showing of portions of an ice skate is included for the purpose of illustrating environmental structure and forms no part of the claimed design.

1 Claim, 13 Drawing Sheets



(56)

References Cited

U.S. PATENT DOCUMENTS

750,696 A 1/1904 Price
 1,100,976 A 6/1914 Hille
 1,181,831 A 5/1916 Browne
 1,786,553 A 12/1930 Thorngren
 1,826,958 A * 10/1931 Sayer 280/11.18
 2,055,665 A 9/1936 Moon
 2,150,964 A * 3/1939 Dornseif 280/11.18
 2,181,923 A 12/1939 Smolarek
 2,229,374 A 1/1941 Devau
 2,486,850 A 11/1949 Ives
 2,904,342 A 9/1959 Jones et al.
 3,271,906 A 9/1966 Esopi
 3,517,659 A 6/1970 Kane et al.
 3,735,533 A 5/1973 Salberg
 3,827,185 A 8/1974 Smith
 4,055,026 A 10/1977 Zwicker
 4,094,101 A 6/1978 Robinson
 4,114,913 A 9/1978 Newell et al.
 4,235,050 A 11/1980 Hannaford et al.
 4,271,635 A 6/1981 Szalay
 4,294,043 A 10/1981 Sakcriska
 D264,984 S 6/1982 Olivieri
 4,392,658 A 7/1983 Redmond et al.
 4,411,250 A 10/1983 Lach
 4,534,134 A 8/1985 Consay et al.
 4,535,571 A 8/1985 Smith
 4,615,144 A 10/1986 Peacock et al.
 4,722,152 A 2/1988 Ek et al.
 4,756,125 A 7/1988 Kadnar
 4,805,586 A 2/1989 Borse
 4,907,813 A 3/1990 Hall
 5,009,039 A 4/1991 Lager et al.
 5,248,156 A * 9/1993 Cann et al. 280/11.18
 5,287,657 A 2/1994 Tschida et al.
 5,332,242 A * 7/1994 Cann et al. 280/11.18
 5,354,078 A 10/1994 Belleisle
 5,431,597 A 7/1995 Anderson
 5,445,050 A 8/1995 Owens
 5,499,556 A 3/1996 Exner et al.
 5,547,416 A 8/1996 Timms
 D373,399 S 9/1996 Both
 D373,807 S * 9/1996 Swande D21/761
 5,570,893 A 11/1996 Swande
 5,591,069 A 1/1997 Wurthman
 5,641,169 A * 6/1997 Bekessy 280/11.18
 5,704,829 A 1/1998 Long
 5,725,419 A 3/1998 Osthoff et al.
 5,826,890 A 10/1998 Swande
 6,030,283 A 2/2000 Anderson
 6,113,474 A 9/2000 Shih et al.
 6,116,989 A 9/2000 Balastik
 6,203,028 B1 3/2001 Kress
 6,286,498 B1 9/2001 Sung
 6,308,700 B1 10/2001 Lierse
 6,368,198 B1 4/2002 Sung et al.
 6,422,934 B1 7/2002 Blach et al.
 6,443,819 B2 9/2002 Sakcriska
 6,467,778 B1 10/2002 Goldsmith et al.
 6,481,113 B1 11/2002 Brenner et al.
 6,619,674 B2 9/2003 Baldwin
 6,620,523 B2 * 9/2003 Abkowitz et al. 428/627
 6,695,322 B2 2/2004 Goldsmith et al.
 D500,112 S 12/2004 Brumpton
 6,830,251 B2 12/2004 Titzmann
 6,953,390 B2 10/2005 Sakurai et al.
 D514,643 S 2/2006 Henderson
 7,073,810 B2 7/2006 Wilson
 7,234,709 B2 6/2007 Lambert
 D555,180 S 11/2007 Amamoto et al.
 7,380,801 B2 * 6/2008 Rudolph 280/11.18

7,387,302 B2 6/2008 Goldsmith et al.
 7,559,828 B2 7/2009 Liao
 D603,432 S 11/2009 Wilson et al.
 7,648,146 B2 1/2010 Tatomir
 D626,978 S 11/2010 Huh
 D631,120 S * 1/2011 Salmon D21/761
 7,866,675 B2 * 1/2011 Hauser 280/11.18
 D637,676 S 5/2011 Wilson et al.
 7,934,978 B2 5/2011 Wilson et al.
 8,056,907 B2 * 11/2011 Wilson et al. 280/11.18
 8,277,284 B2 10/2012 Wilson et al.
 8,574,030 B2 11/2013 Wilson et al.
 2001/0052678 A1 * 12/2001 Titzmann 280/11.18
 2002/0014041 A1 2/2002 Baldoni et al.
 2003/0106270 A1 6/2003 Baldoni et al.
 2004/0157537 A1 8/2004 Tatum et al.
 2005/0276979 A1 12/2005 Slutz et al.
 2006/0040584 A1 2/2006 Ray et al.
 2006/0183411 A1 8/2006 Moon
 2007/0001426 A1 1/2007 Wade
 2008/0051013 A1 2/2008 Burgess
 2009/0206563 A1 * 8/2009 Ferras 280/11.18
 2009/0273149 A1 * 11/2009 Wilson et al. 280/11.18
 2010/0194062 A1 * 8/2010 Hauser 280/11.18
 2010/0201088 A1 * 8/2010 Newman et al. 280/11.18

FOREIGN PATENT DOCUMENTS

CA 2373449 11/2000
 WO 0067949 11/2000

OTHER PUBLICATIONS

CA Office Action dated Jun. 13, 2011 for Canadian Application No. 2,663,095, filed Apr. 16, 2009, entitled "Ice Skate Blades" to Wilson et al., 2 pages.
 CA Office Action dated Jun. 8, 2011 for Canadian Application No. 2,630,749, filed May 6, 2008, entitled "Ice Skate Blade Sharpening Machine" to Hageniers et al., 3 pages.
 Office Action dated Feb. 15, 2012 for U.S. Appl. No. 13/073,497, entitled "Ice Skate Blades and Sharpening Machines" to Wilson et al., 19 pages.
 Office Action dated Mar. 25, 2011 for U.S. Appl. No. 12/402,838, filed Mar. 12, 2009, entitled "Ice Skate Blades" to Wilson et al., 15 pages.
 Office Action dated Mar. 5, 2013 for U.S. Appl. No. 13/600,348, filed Aug. 31, 2012, entitled "Method of Making an Ice Skate Blade" to Wilson et al., 9 pages.
 Office Action dated Nov. 26, 2010 for U.S. Appl. No. 12/402,838, filed Mar. 12, 2009, entitled "Ice Skate Blades" to Wilson et al., 20 pages.
 Office Action dated Nov. 9, 2010 for U.S. Appl. No. 12/114,191, filed May 2, 2008, entitled "Ice Skate Blade Sharpening Machine" to Wilson et al., 9 pages.
 Office Action dated Oct. 6, 2010 for U.S. Appl. No. 12/114,191, filed May 2, 2008, entitled "Ice Skate Blade Sharpening Machine" to Wilson et al., 20 pages.
 Printout purporting to be a portion of Abrasive Technology, Manufacturer of Diamond & CBN Tooling: Resin & Metal Bonded Product Line and including a copyright notice date of 2004 on the final page, 11 pages.
 Printout purporting to be a portion of Norton Stock Catalog 2005-2006 Diamond Tools and bearing no date, 16 pages.
 Printout purporting to be a webpage of Norton Abrasives from 2006 and bearing a date of Jul. 29, 2011, 1 page.
 Submission of Prior Art Under Provisions of Section 34 for Canadian Application No. 2,630,749 dated Jul. 29, 2011, 141 pp. including 6 Exhibits.

* cited by examiner

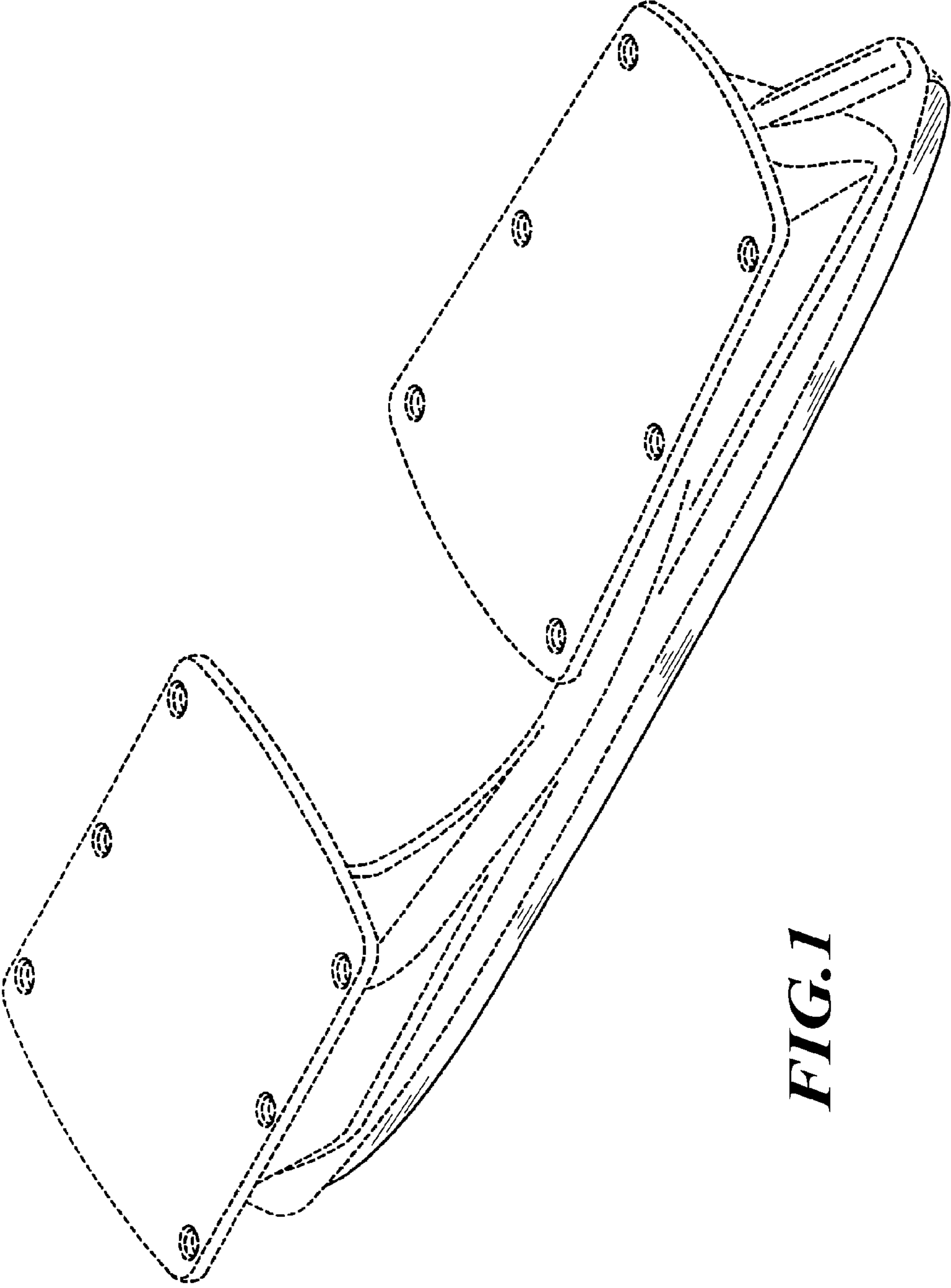


FIG. 1

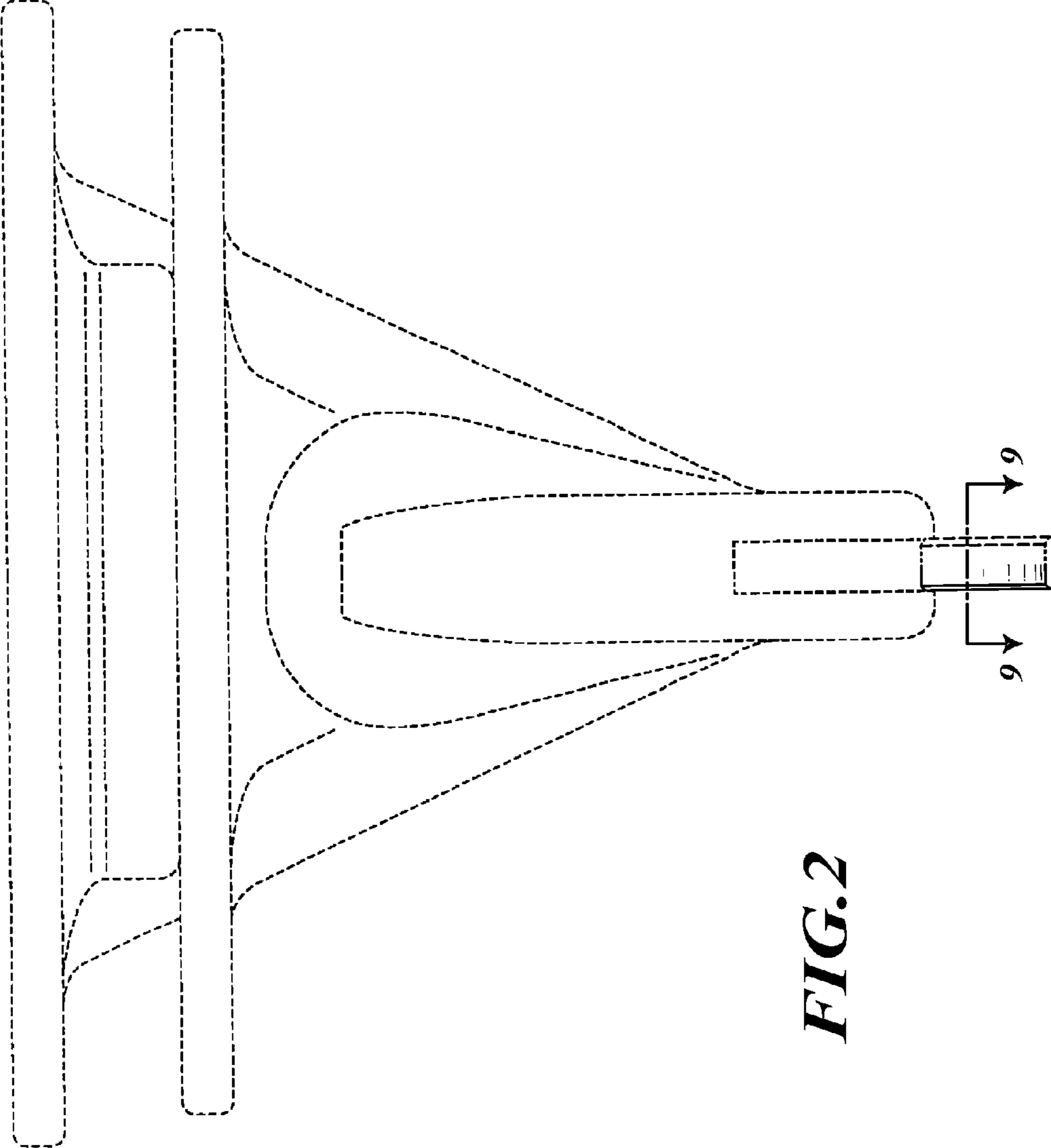


FIG. 2

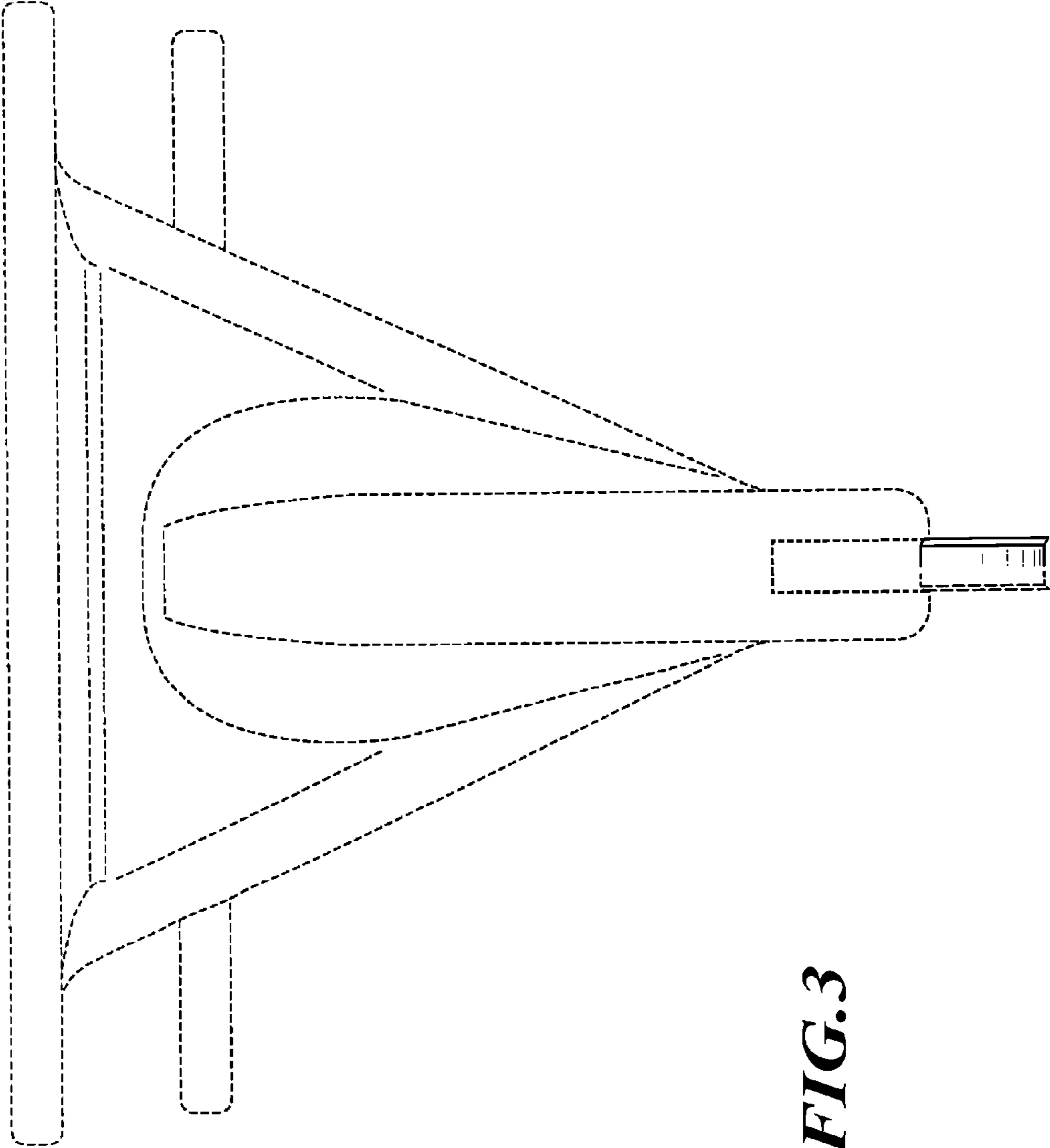


FIG. 3

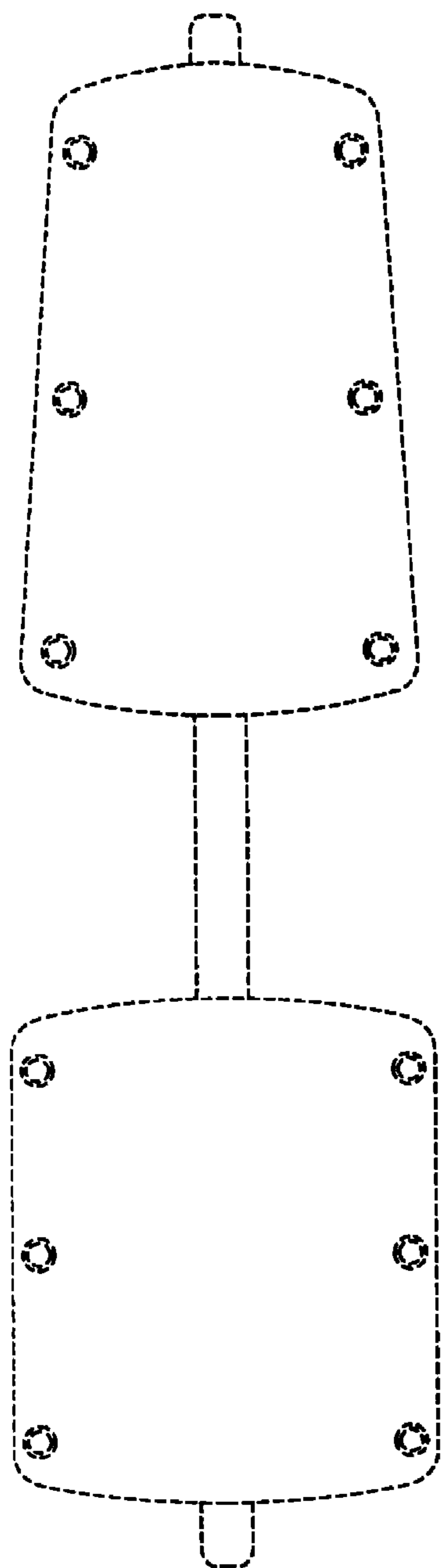


FIG. 4

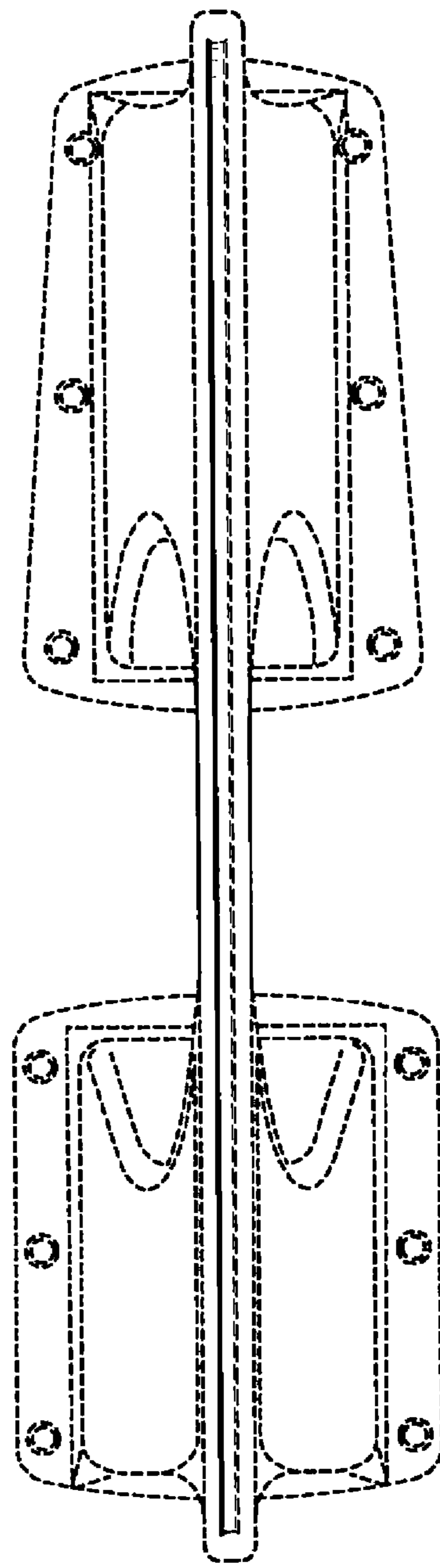


FIG. 5

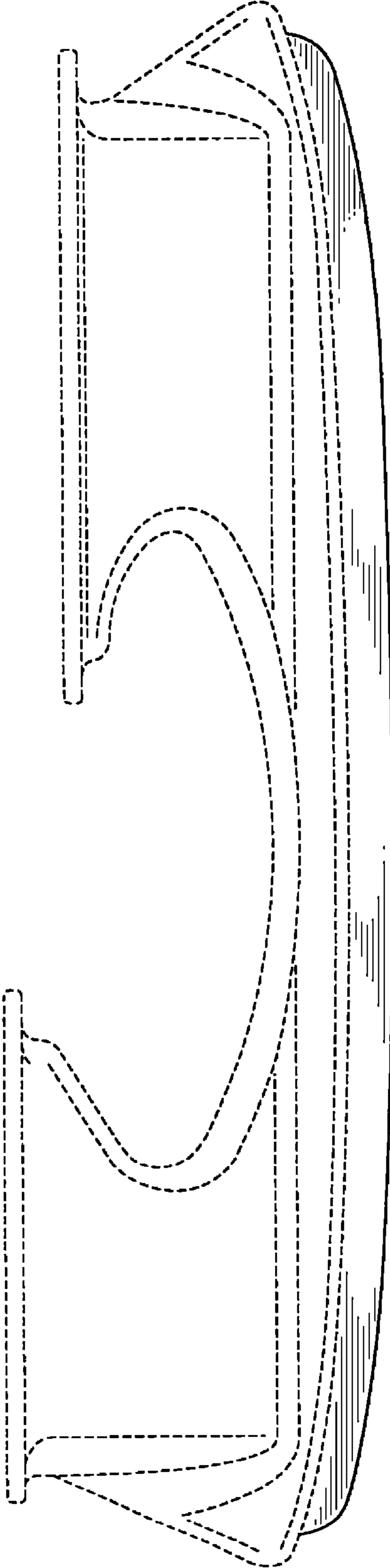


FIG. 6

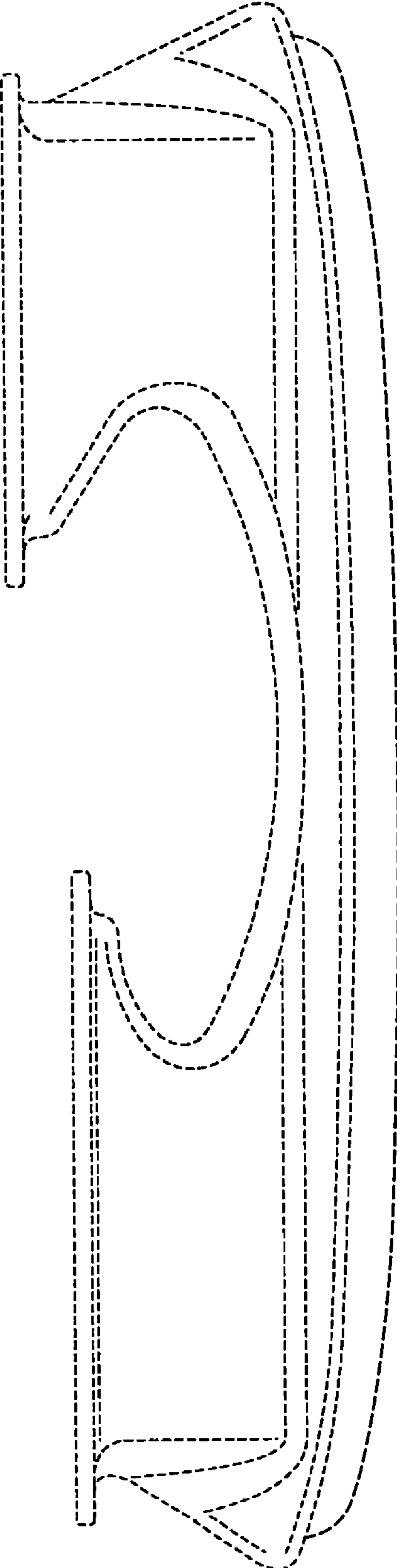


FIG. 7

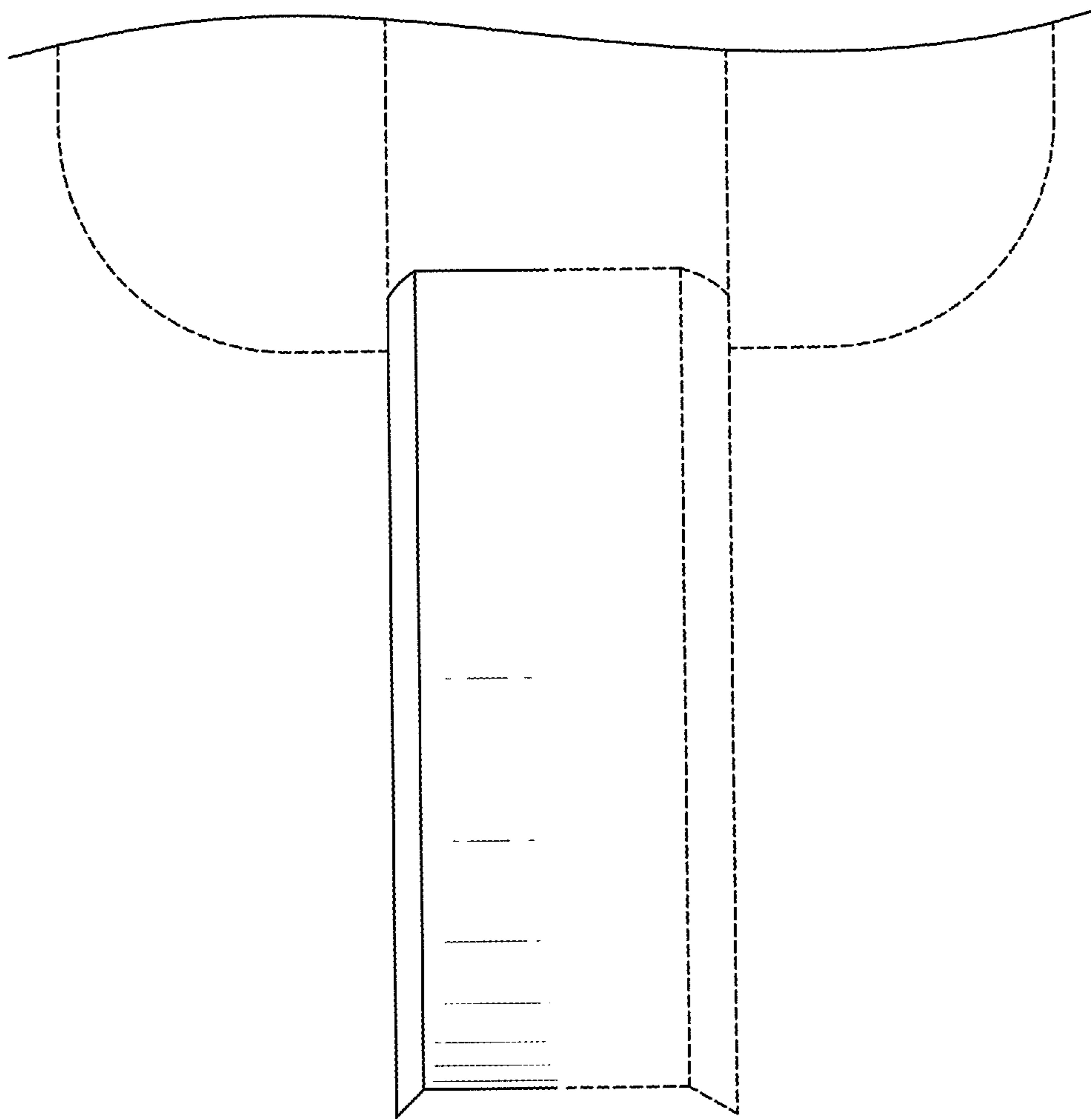


FIG. 8

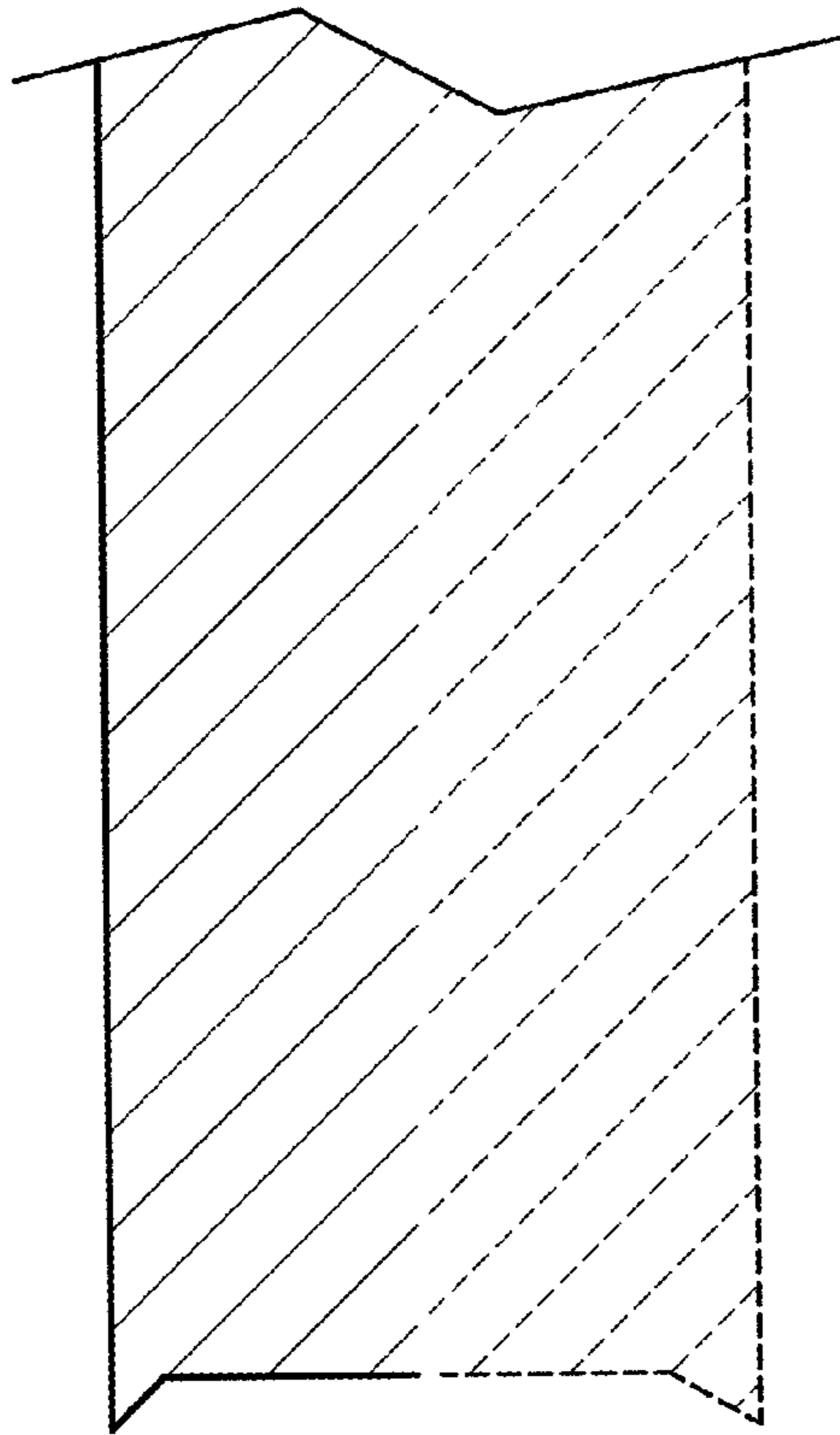


FIG. 9

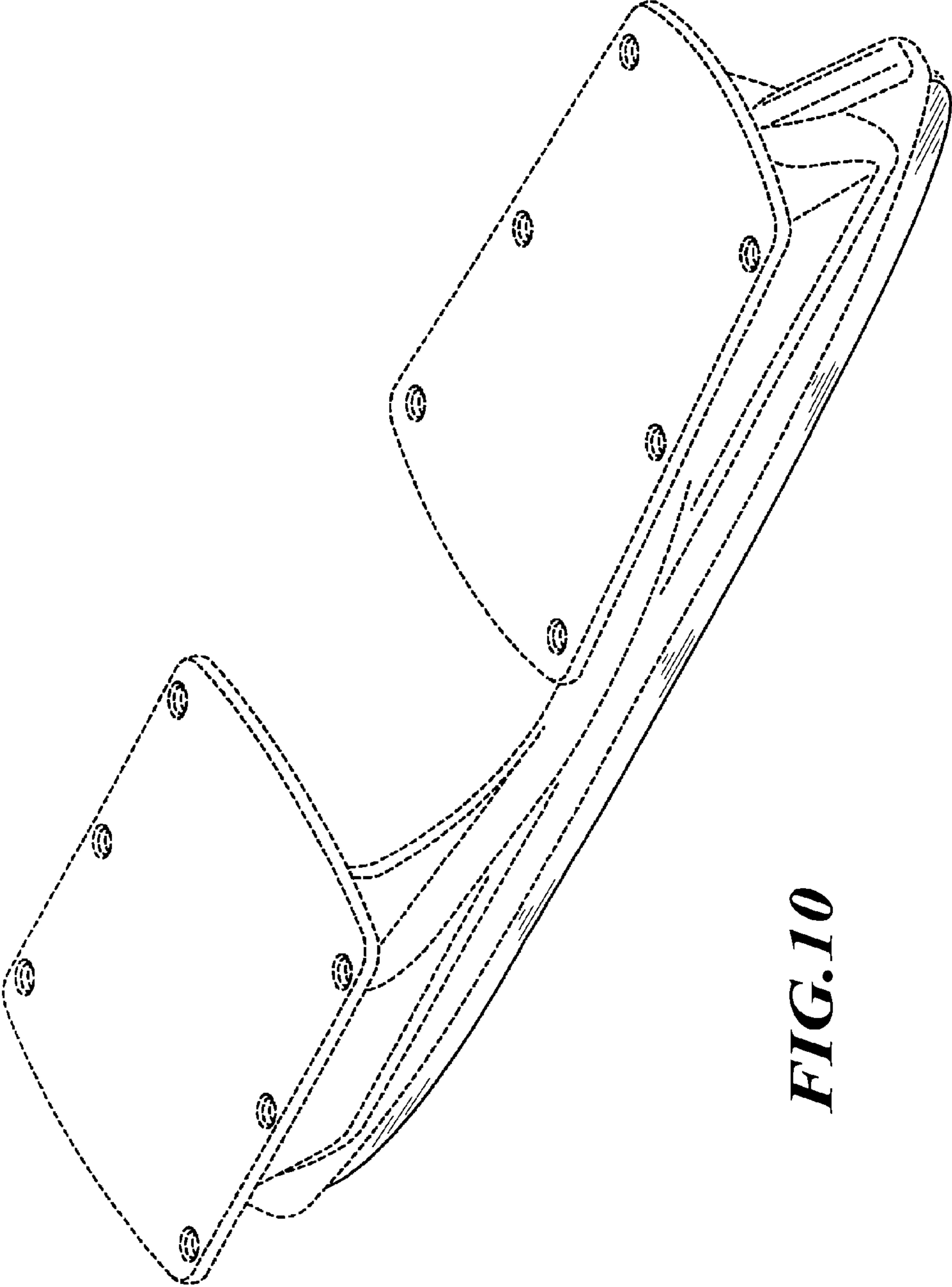


FIG. 10

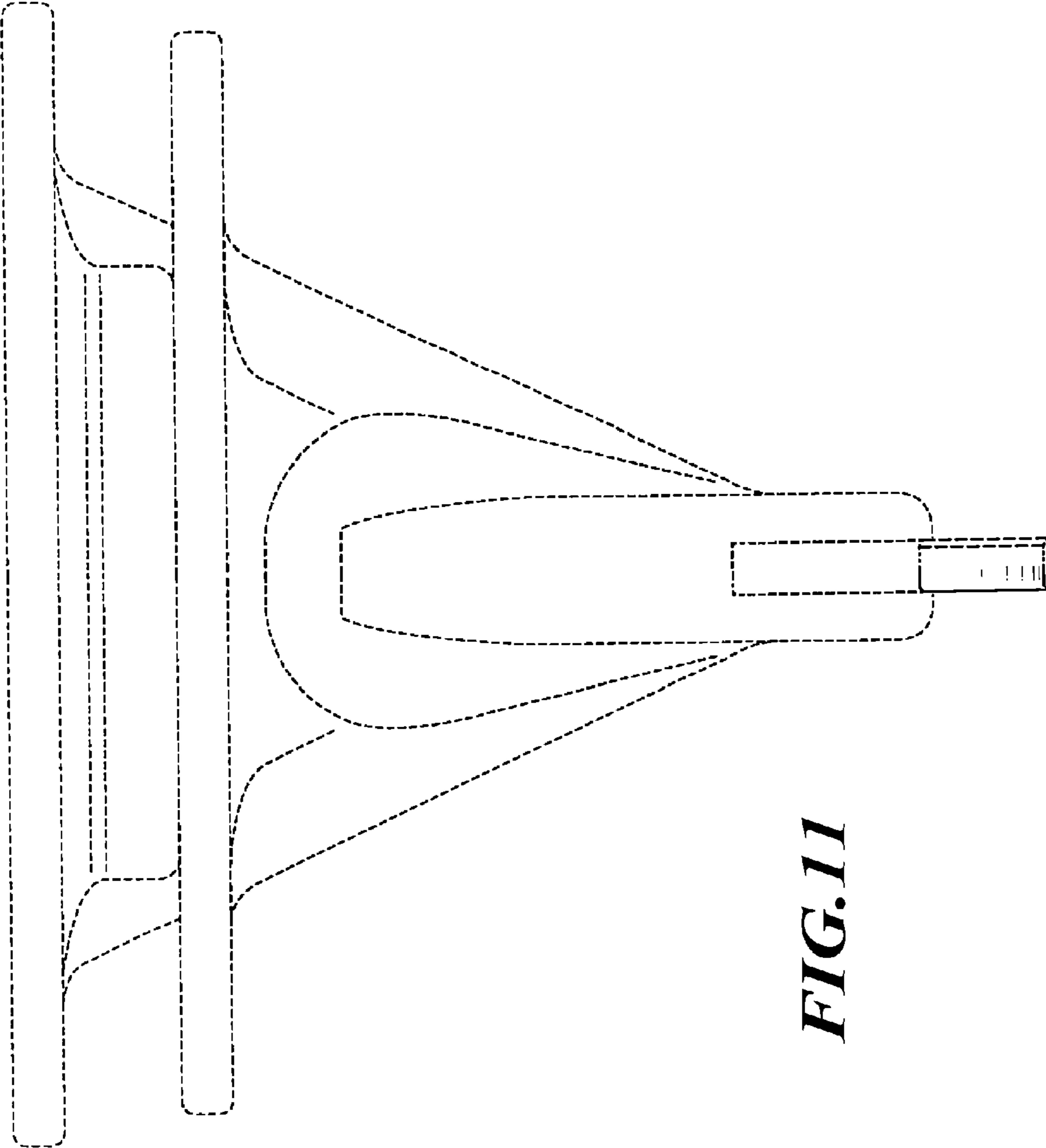


FIG. 11

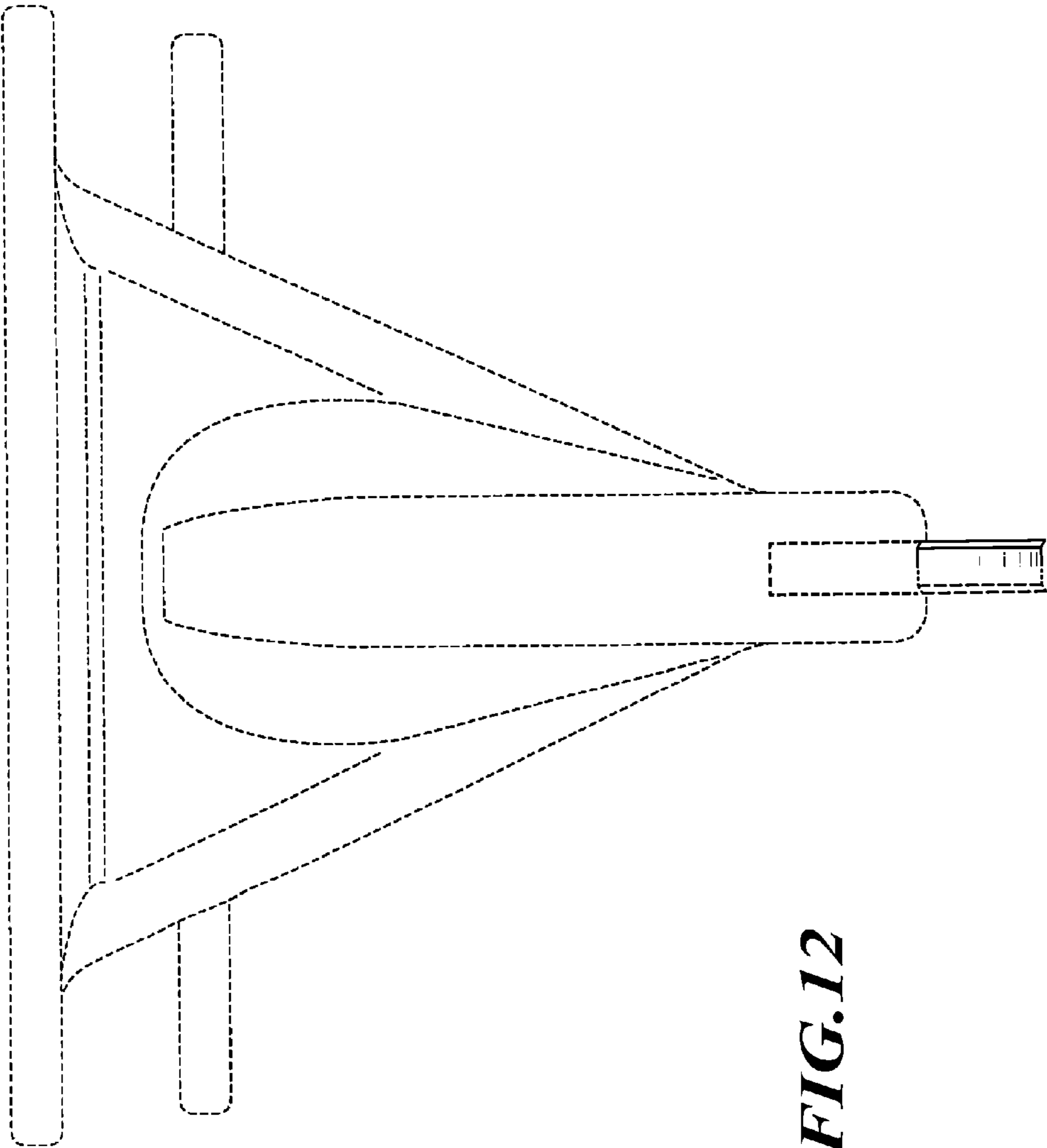


FIG. 12

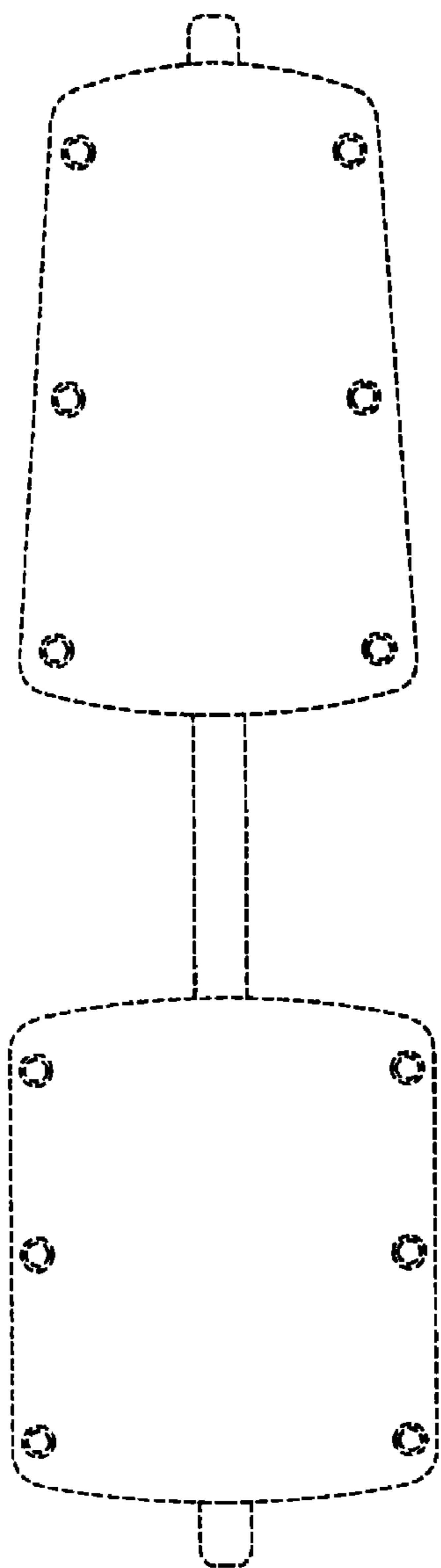


FIG. 13

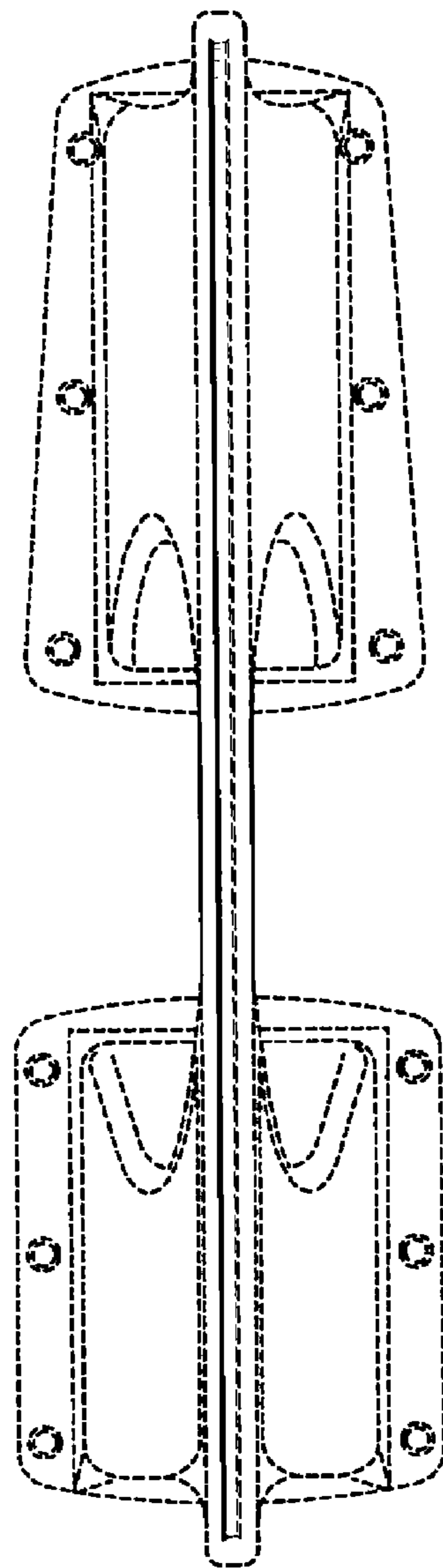


FIG. 14

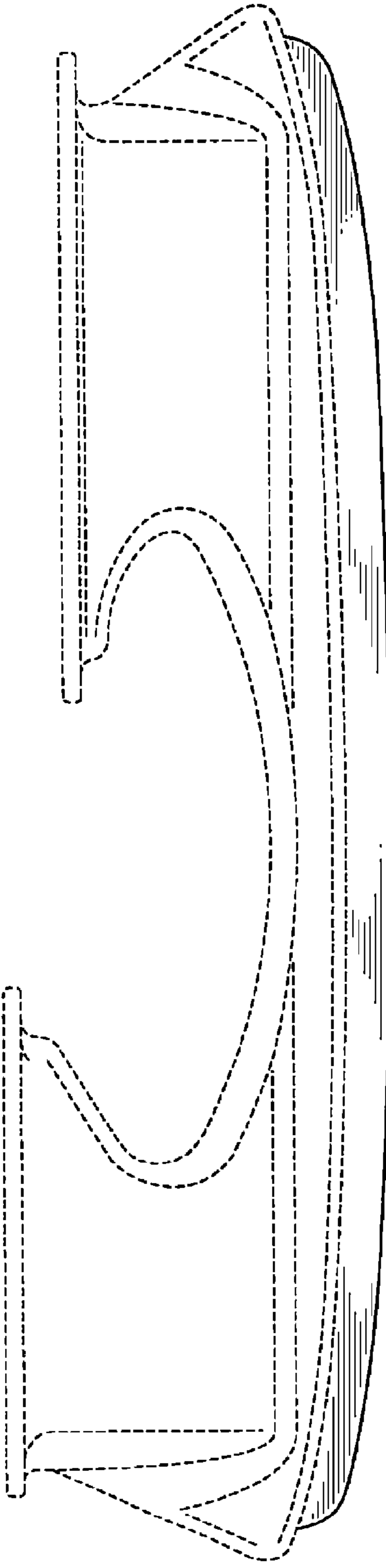


FIG. 15

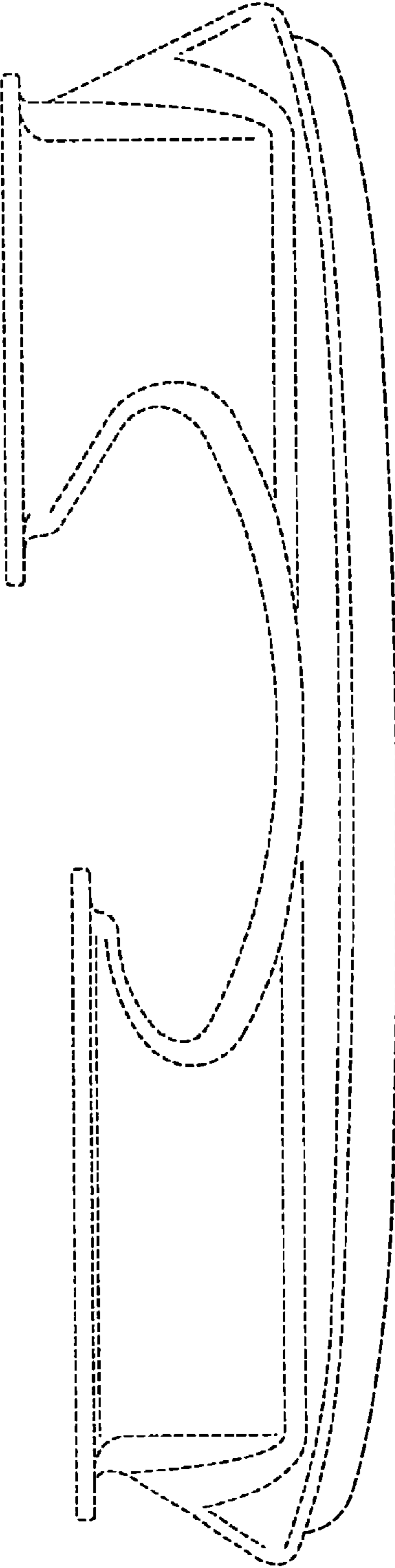


FIG. 16

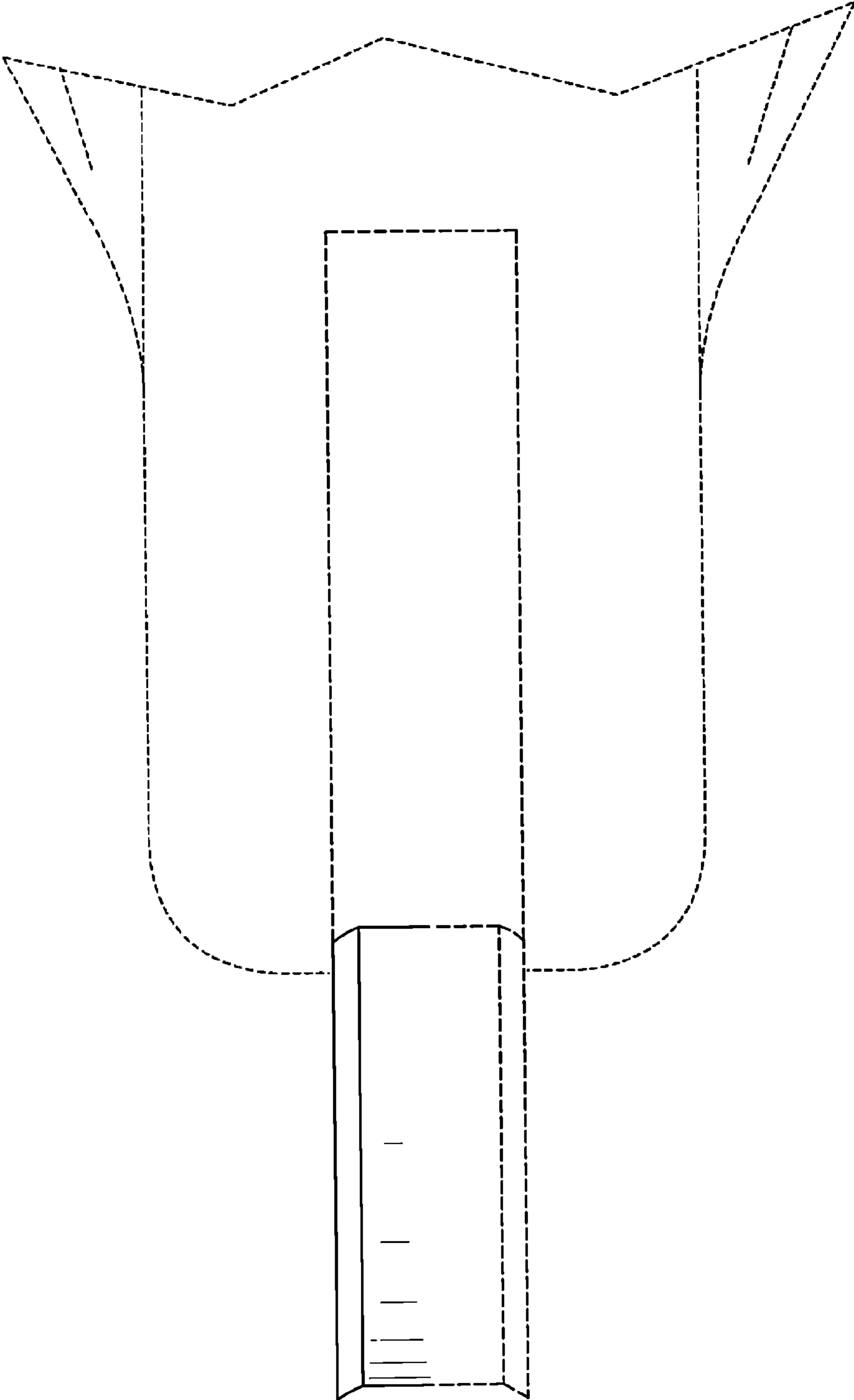


FIG. 17