



US00D733239S

(12) **United States Design Patent**
Myers et al.

(10) **Patent No.:** **US D733,239 S**

(45) **Date of Patent:** **** Jun. 30, 2015**

(54) **GOLF CLUB HEAD**

(56) **References Cited**

(71) Applicant: **CALLAWAY GOLF COMPANY**,
Carlsbad, CA (US)

U.S. PATENT DOCUMENTS

(72) Inventors: **Matthew Myers**, Carlsbad, CA (US);
Scott R. Manwaring, Carlsbad, CA
(US); **Bradley C. Rice**, Carlsbad, CA
(US)

D500,541 S *	1/2005	Rollinson et al.	D21/759
D606,145 S *	12/2009	Kim et al.	D21/752
D651,269 S *	12/2011	Foster	D21/759
D651,270 S *	12/2011	Foster	D21/759
D663,371 S *	7/2012	Kim	D21/752
D681,757 S *	5/2013	Foster	D21/752
D686,290 S *	7/2013	Kim et al.	D21/759
D714,409 S *	9/2014	Myers et al.	D21/759
D714,410 S *	9/2014	Myers et al.	D21/759
D720,418 S *	12/2014	Chen et al.	D21/759

(73) Assignee: **CALLAWAY GOLF COMPANY**,
Carlsbad, CA (US)

* cited by examiner

(**) Term: **14 Years**

Primary Examiner — Mitchell Siegel

(21) Appl. No.: **29/499,485**

(74) *Attorney, Agent, or Firm* — Rebecca Hanovice;
Michael A. Catania; Sonia Lari

(22) Filed: **Aug. 15, 2014**

(57) **CLAIM**

The ornamental design for a golf club head, as shown and described.

Related U.S. Application Data

DESCRIPTION

(62) Division of application No. 29/466,993, filed on Sep. 13, 2013, now Pat. No. Des. 714,409.

(51) **LOC (10) Cl.** **21-02**

(52) **U.S. Cl.**

USPC **D21/759**

(58) **Field of Classification Search**

USPC D21/733, 752, 759

CPC A63B 53/00; A63B 53/04; A63B 53/0466;

A63B 2053/002; A63B 2053/0404; A63B

2053/0433

FIG. 1 is a rear perspective view of the golf club head as claimed herein;

FIG. 2 is a top plan view thereof;

FIG. 3 is a bottom plan view thereof;

FIG. 4 is a front elevational view thereof;

FIG. 5 is a rear elevational view thereof;

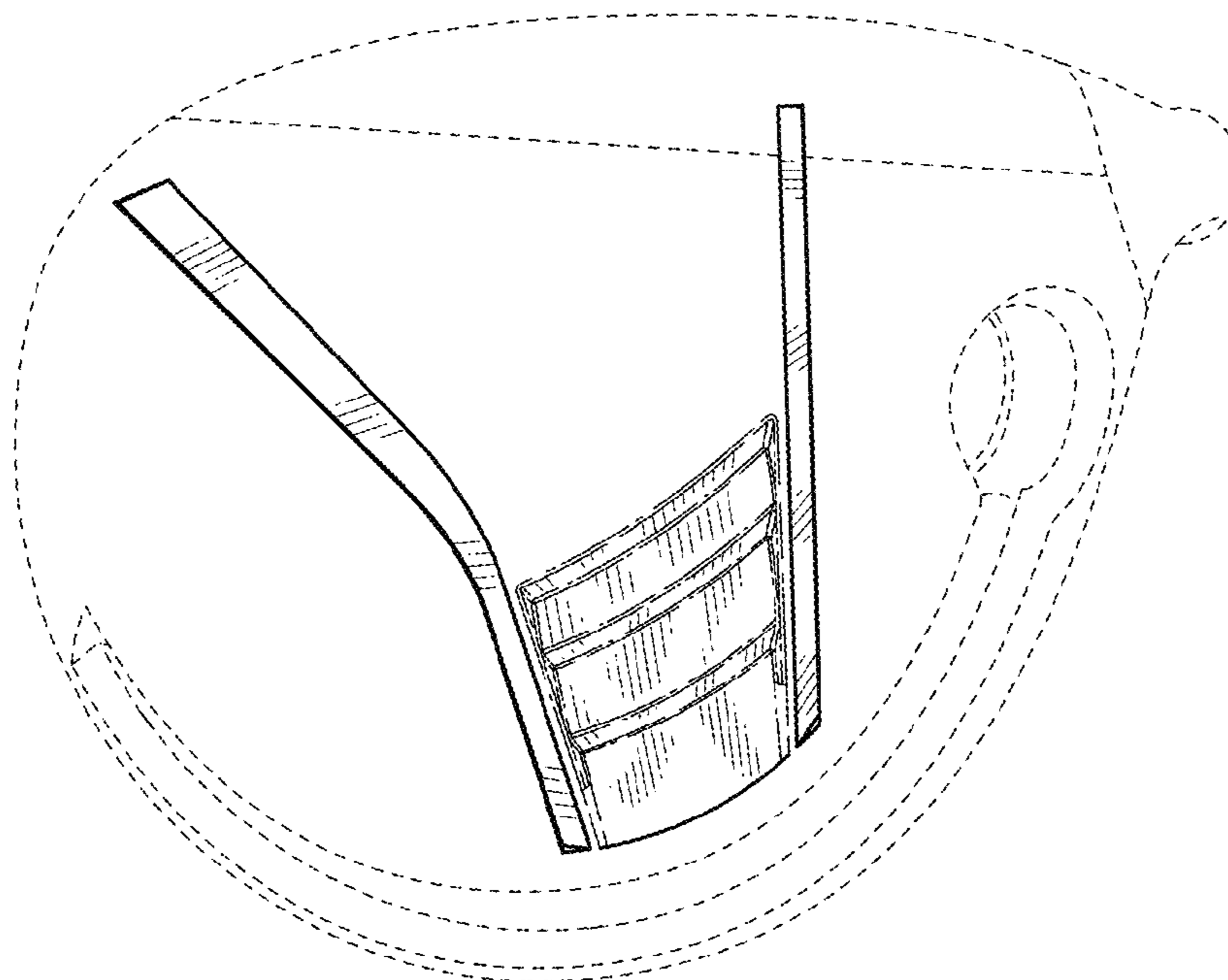
FIG. 6 is a left side view thereof; and,

FIG. 7 is a right side view thereof.

The broken lines are included for the purpose of illustration only and form no part of the claimed design.

See application file for complete search history.

1 Claim, 4 Drawing Sheets



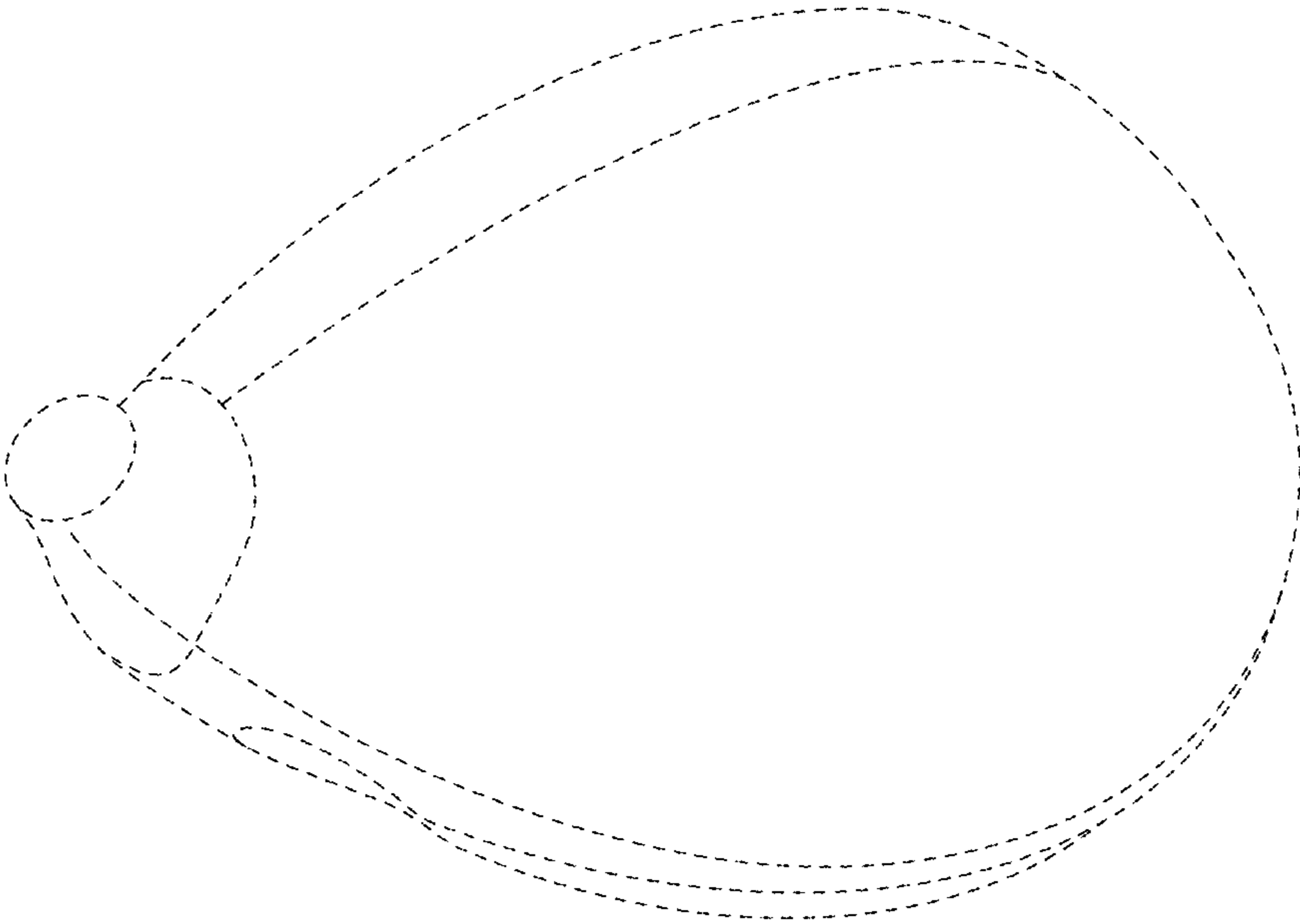


FIG. 1

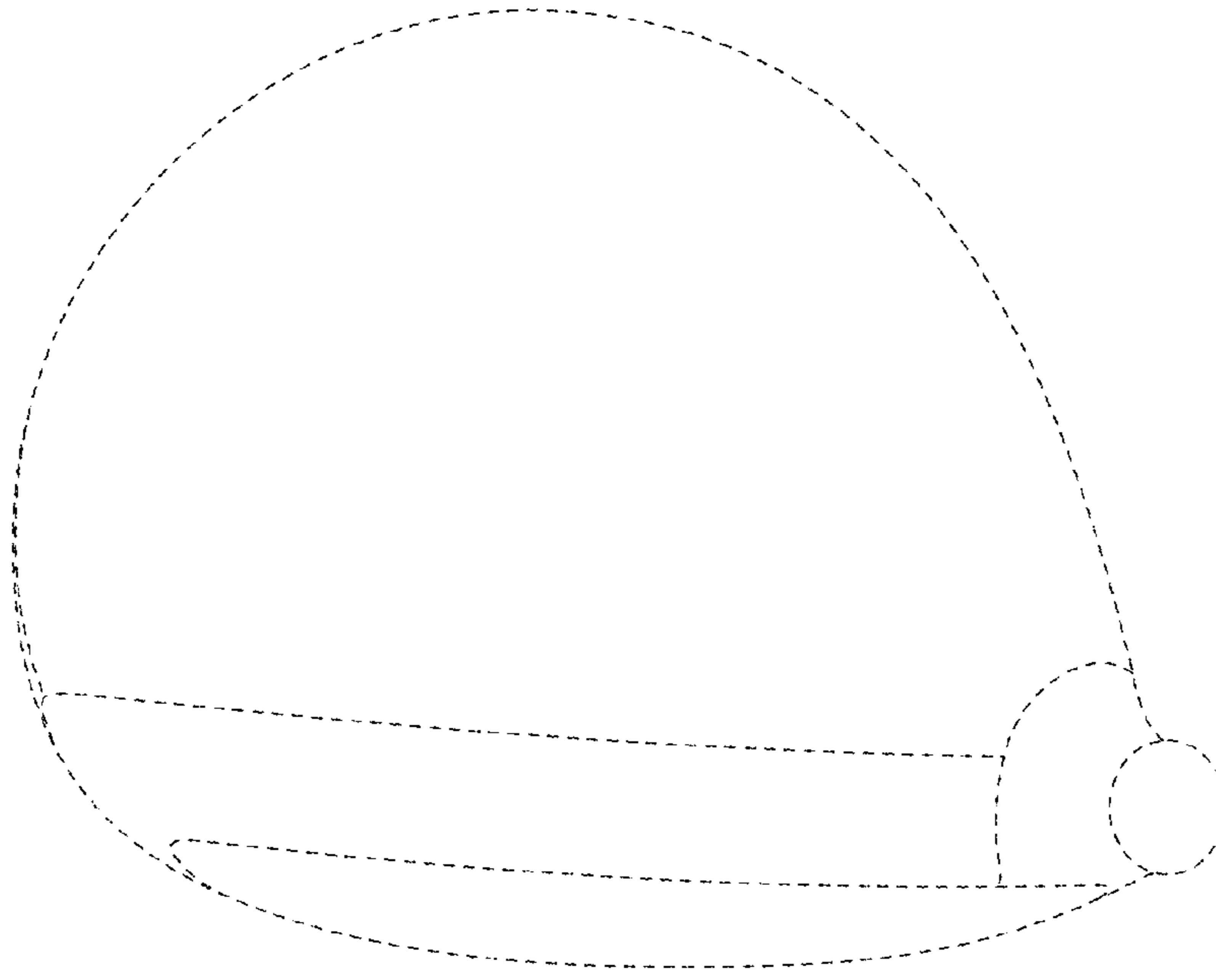


FIG. 2

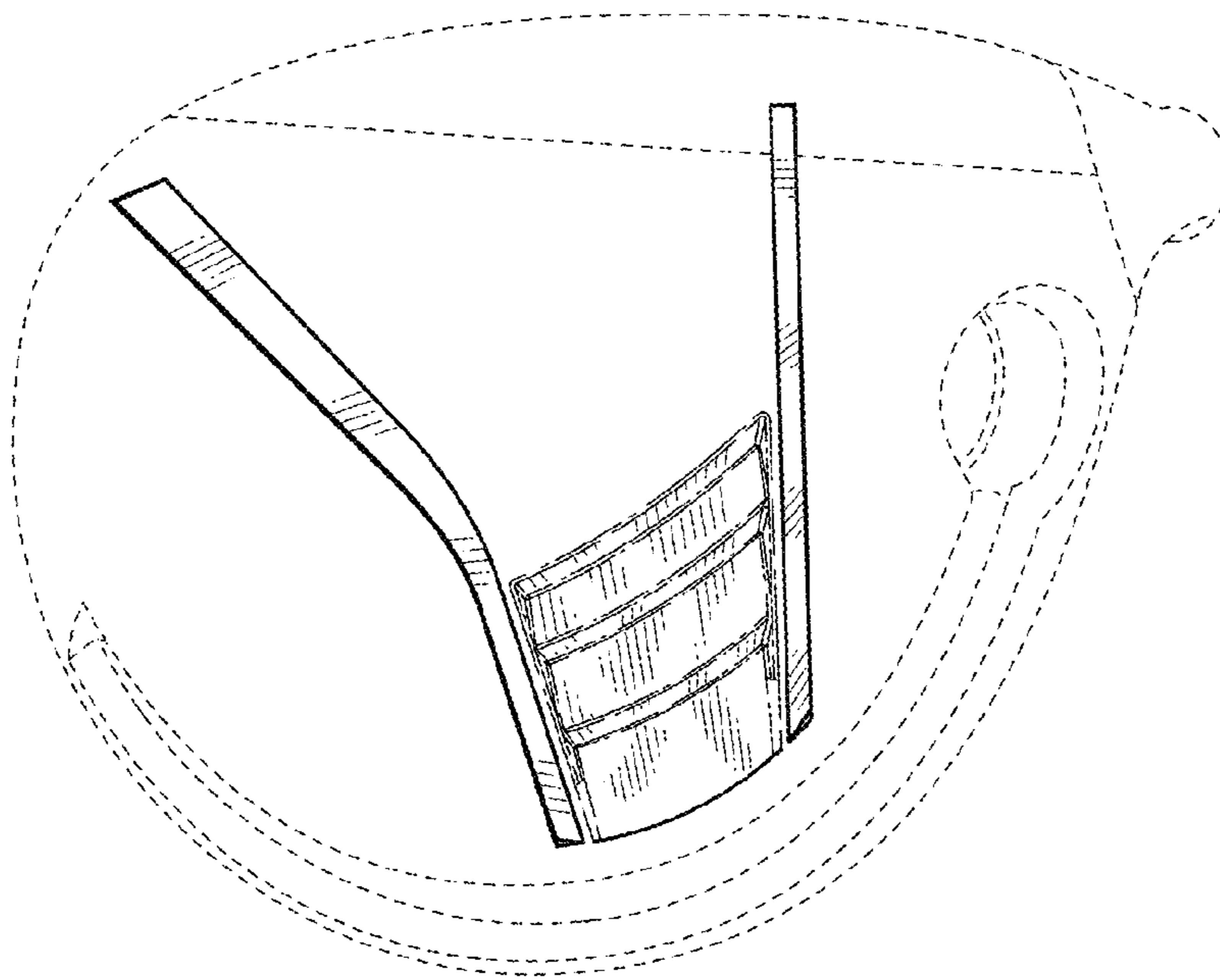


FIG. 3

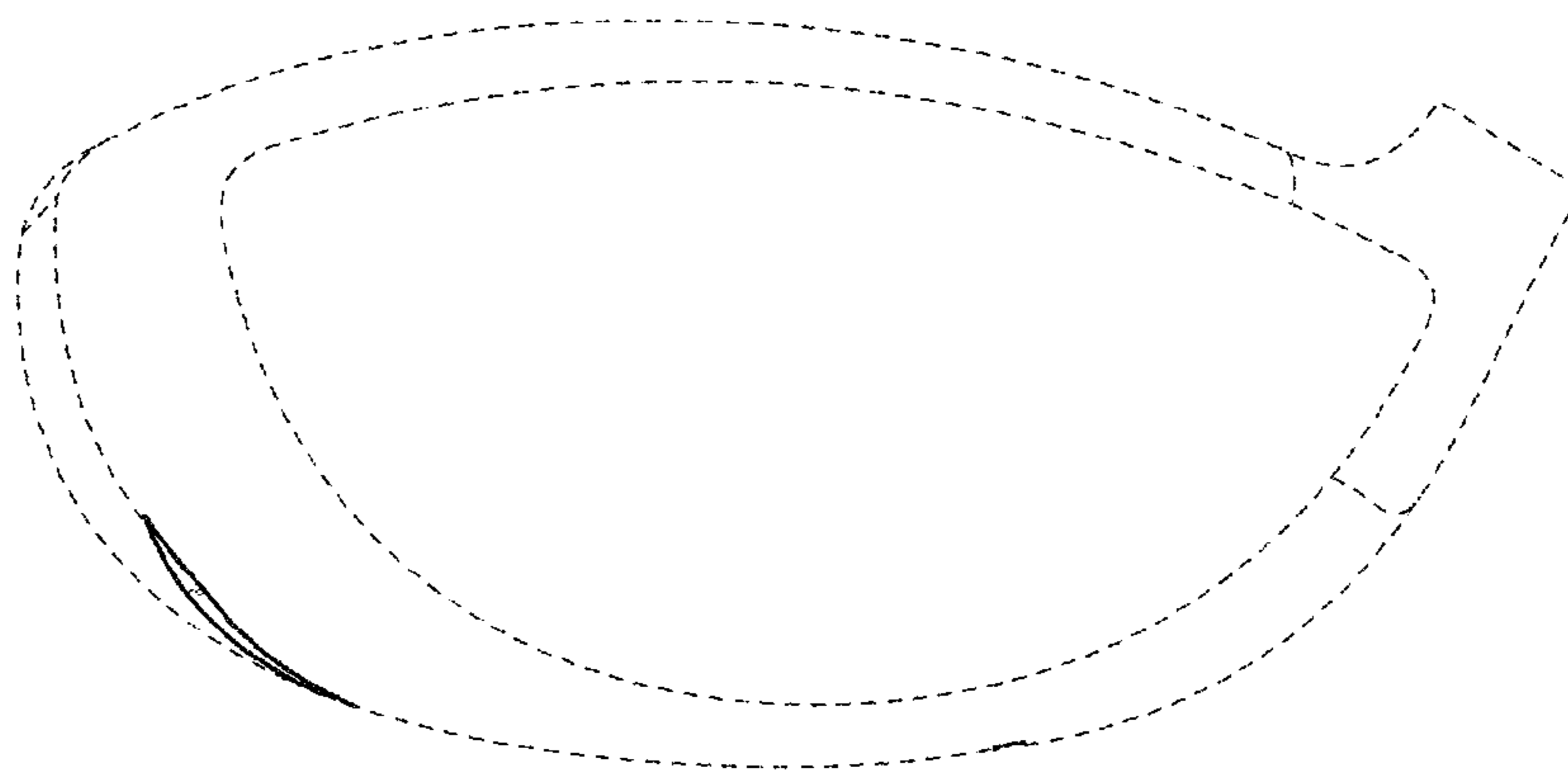


FIG. 4

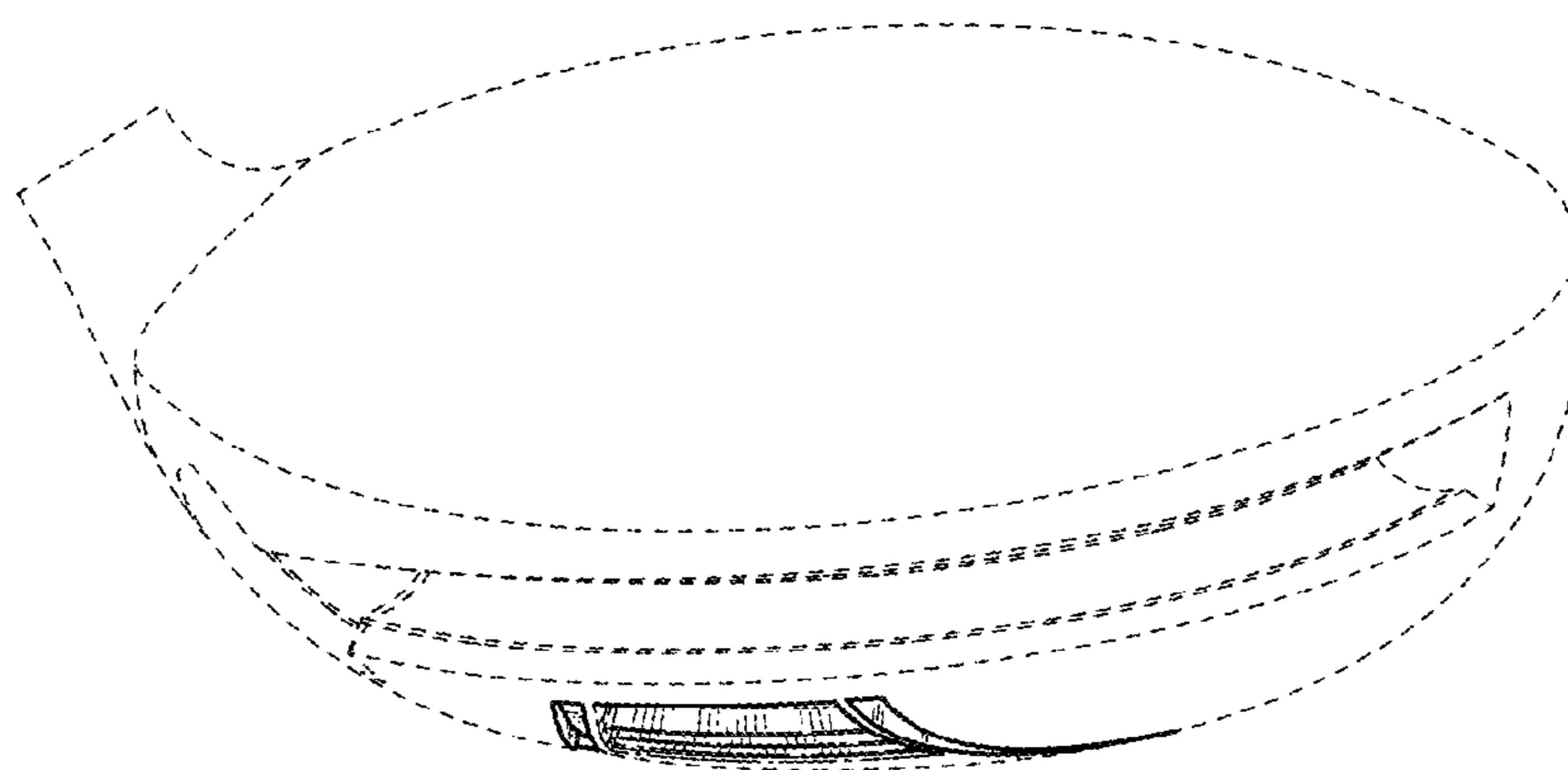


FIG. 5

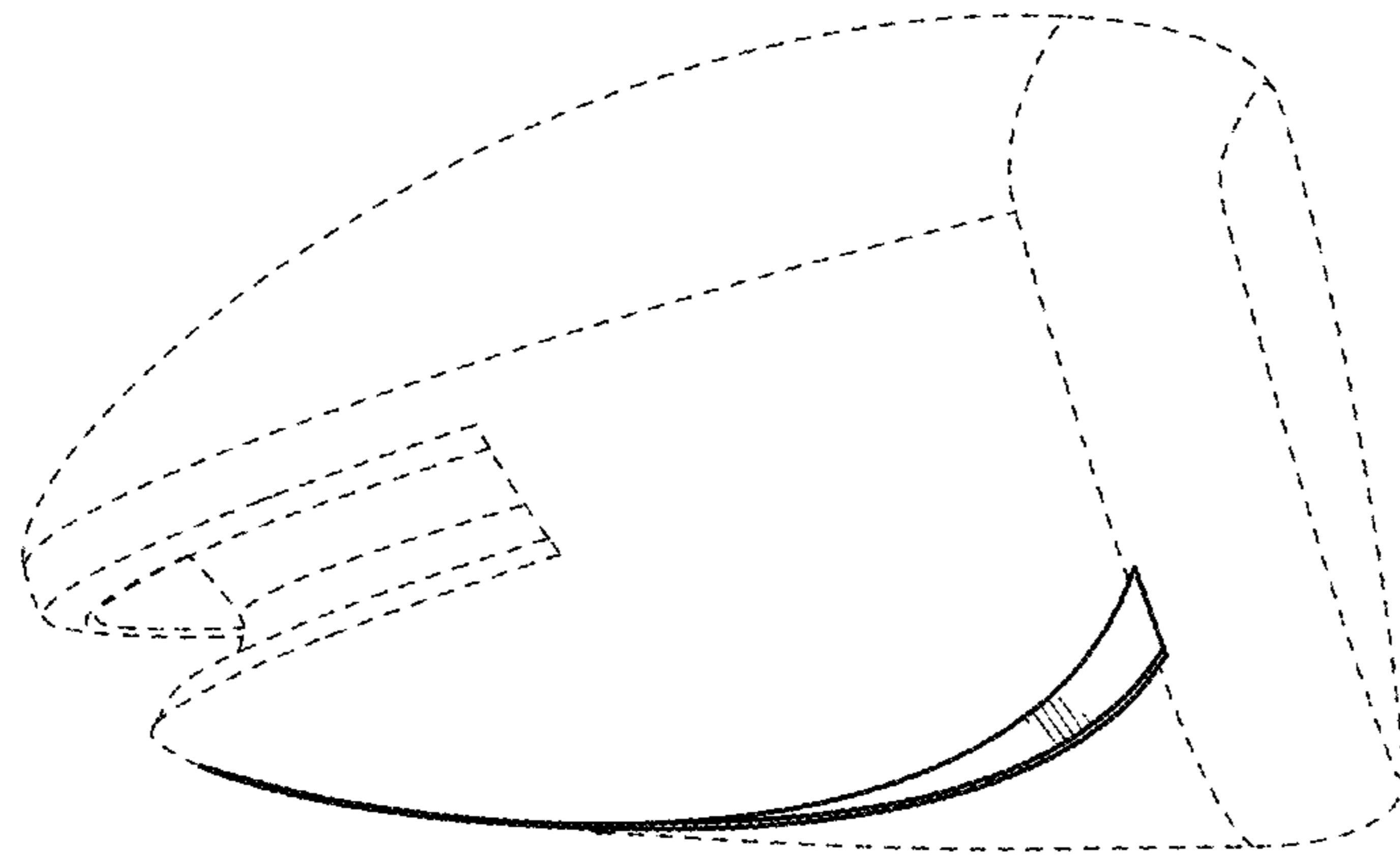


FIG. 6

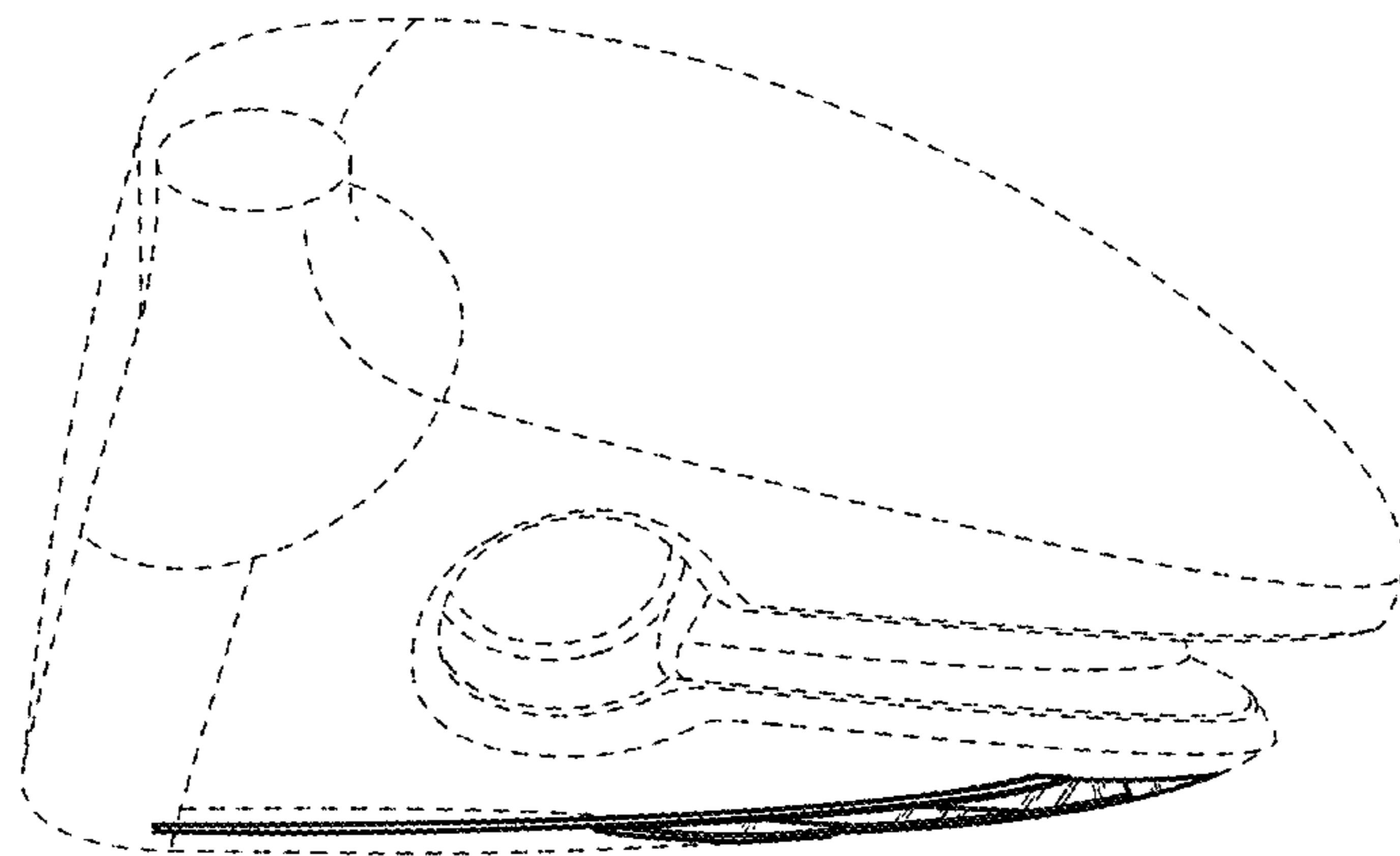


FIG. 7