



US00D733237S

(12) **United States Design Patent**
Serrano et al.

(10) **Patent No.:** **US D733,237 S**
(45) **Date of Patent:** **** Jun. 30, 2015**

(54) **GOLF CLUB GRIP**
(71) Applicant: **Karsten Manufacturing Corporation,**
Phoenix, AZ (US)
(72) Inventors: **Anthony D. Serrano,** Anthem, AZ (US);
Xiaojian Chen, Phoenix, AZ (US)
(73) Assignee: **Karsten Manufacturing Corporation,**
Phoenix, AZ (US)
(**) Term: **14 Years**

D414,233 S 9/1999 Anderson
D431,851 S 10/2000 Anderson
D443,322 S * 6/2001 Henry D21/756
D494,650 S 8/2004 Petersen
D512,758 S * 12/2005 Tuerschmann et al. D21/756
D522,078 S * 5/2006 De Gruccio D21/756
D524,390 S * 7/2006 Tuerschmann D21/756
D534,602 S * 1/2007 Norton et al. D21/756
D534,603 S * 1/2007 Norton et al. D21/756
D534,604 S * 1/2007 Norton et al. D21/756
D534,605 S * 1/2007 Norton et al. D21/756
D534,606 S * 1/2007 Norton et al. D21/756
D534,607 S * 1/2007 Norton et al. D21/756
D534,975 S * 1/2007 Norton et al. D21/756

(21) Appl. No.: **29/498,295**

(22) Filed: **Aug. 1, 2014**

(51) **LOC (10) Cl.** **21-02**

(52) **U.S. Cl.**
USPC **D21/756**

(58) **Field of Classification Search**
USPC D21/756-758
CPC A63B 53/14
See application file for complete search history.

(56) **References Cited**

U.S. PATENT DOCUMENTS

2,218,268 A * 10/1940 Reid 473/204
D221,345 S * 8/1971 Dworak D21/756
D254,926 S 5/1980 Solheim
D281,991 S 12/1985 Solheim
D287,527 S 12/1986 Solheim
D290,730 S 7/1987 Solheim
D295,207 S * 4/1988 Mahaffey D21/756
D315,006 S 2/1991 Solheim
D333,333 S 2/1993 Solheim
D345,192 S 3/1994 Solheim
D357,295 S 4/1995 Solheim
D362,891 S 10/1995 Solheim
D391,330 S 2/1998 Solheim
D399,282 S * 10/1998 Jarrett D21/756

(Continued)

OTHER PUBLICATIONS

Cory S. Bacon, et al., "Golf Club Grip," U.S. Appl. No, 29/481,763,
filed Feb. 10, 2014.

Primary Examiner — Mitchell Siegel

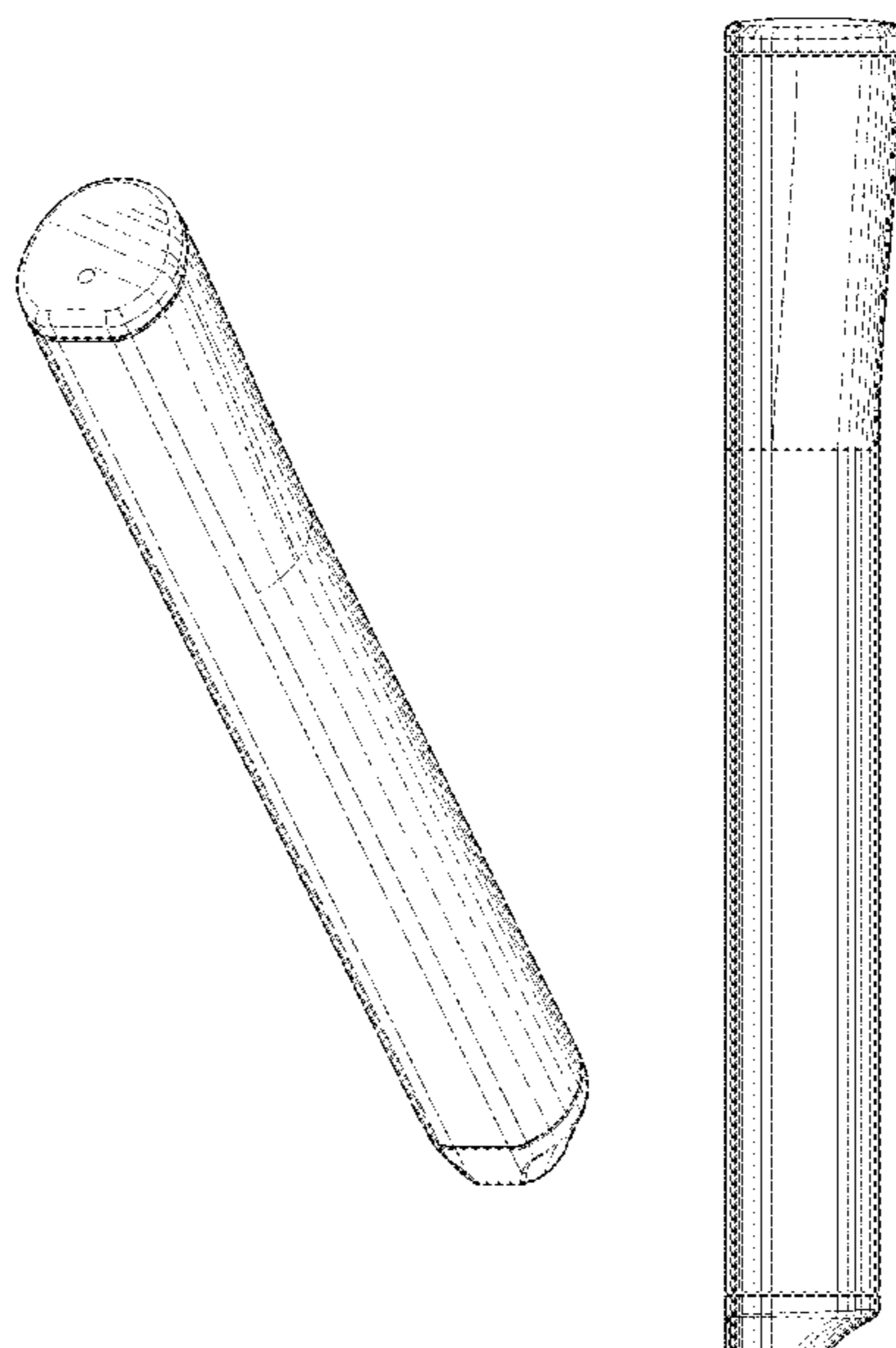
(57) **CLAIM**

The ornamental design for a golf club grip, as shown and
described.

DESCRIPTION

FIG. 1 is a top perspective view of a golf club grip;
FIG. 2 is a bottom perspective view of the golf club grip of
FIG. 1;
FIG. 3 is a rear elevational view of the golf club grip of FIG.
1;
FIG. 4 is a front elevational view of the golf club grip of FIG.
1;
FIG. 5 is a top view of the golf club grip of FIG. 1;
FIG. 6 is a bottom view of the golf club grip of FIG. 1;
FIG. 7 is a left view of the golf club grip of FIG. 1; and,
FIG. 8 is a right view of the golf club grip of FIG. 1.

1 Claim, 3 Drawing Sheets



(56)

References Cited

U.S. PATENT DOCUMENTS

D545,388 S 6/2007 Chen
 D548,808 S * 8/2007 Chen D21/756
 D554,723 S * 11/2007 Savasky D21/756
 D554,724 S * 11/2007 Savasky D21/756
 D556,847 S 12/2007 DeVaney
 D562,923 S * 2/2008 DeVaney et al. D21/756
 D562,924 S * 2/2008 DeVaney et al. D21/756
 D576,240 S 9/2008 Chen
 D576,241 S 9/2008 Chen
 D581,001 S 11/2008 Chen
 D581,002 S 11/2008 Chen
 D588,218 S 3/2009 Chen
 D590,465 S * 4/2009 Chen D21/756
 D592,262 S * 5/2009 Devaney et al. D21/756
 D592,263 S * 5/2009 Devaney et al. D21/756
 D592,264 S * 5/2009 Devaney et al. D21/756

D592,265 S * 5/2009 Devaney et al. D21/756
 D592,266 S * 5/2009 Devaney et al. D21/756
 D592,267 S * 5/2009 Devaney et al. D21/756
 D595,378 S * 6/2009 Devaney et al. D21/756
 D595,379 S * 6/2009 Devaney et al. D21/756
 D595,796 S * 7/2009 Devaney et al. D21/756
 D597,622 S * 8/2009 Devaney et al. D21/756
 D599,871 S 9/2009 Jertson
 D616,516 S 5/2010 Chen
 D626,614 S * 11/2010 Wood et al. D21/756
 D631,118 S 1/2011 Chen
 D634,803 S 3/2011 Chen
 D664,225 S * 7/2012 Lamkin et al. D21/756
 D675,271 S 1/2013 Solheim
 D680,604 S * 4/2013 Garsen D21/756
 D680,605 S * 4/2013 Garsen D21/756
 D681,758 S * 5/2013 Garsen D21/756
 D710,466 S * 8/2014 Bentley et al. D21/756

* cited by examiner

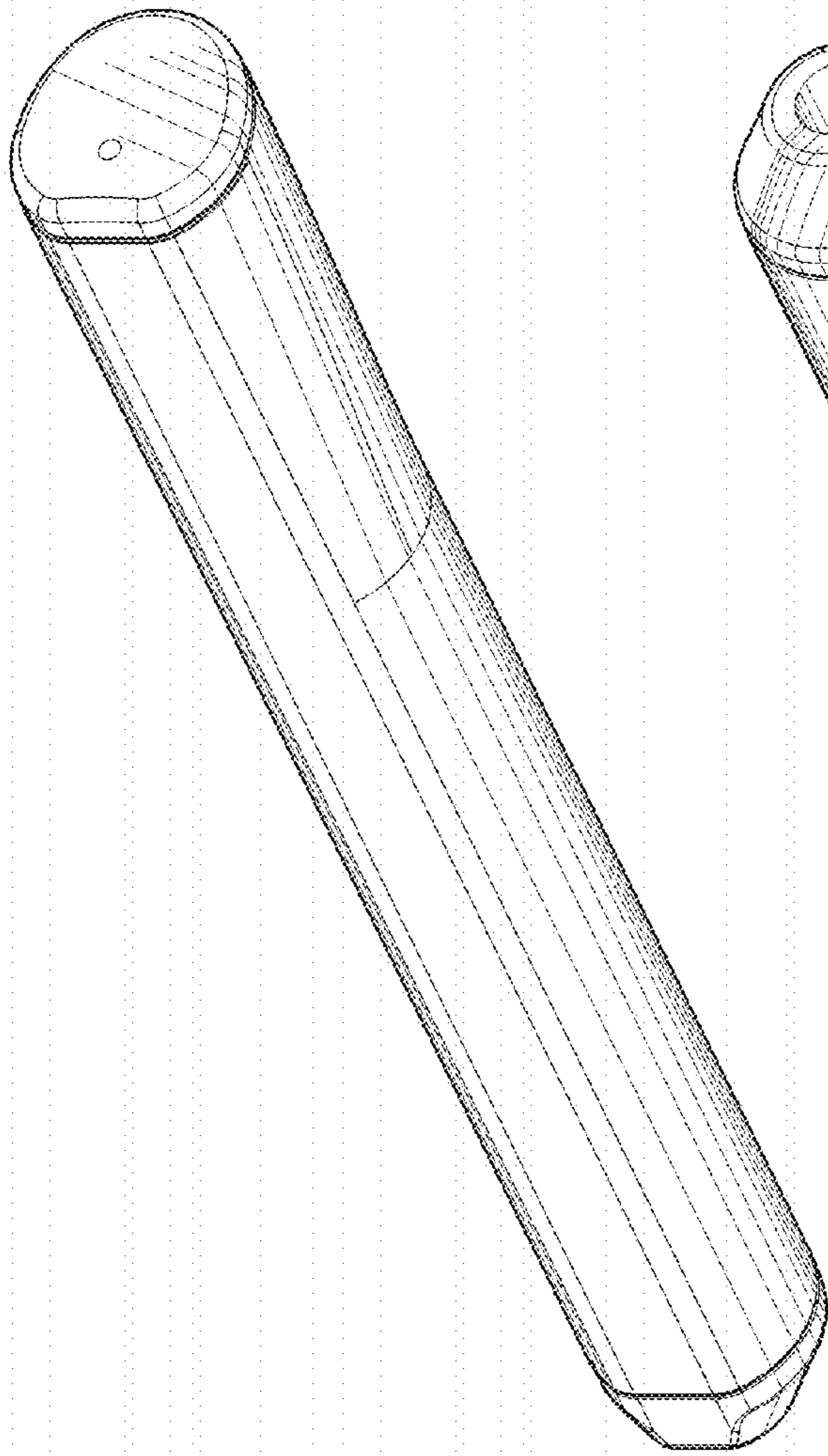


Fig. 1

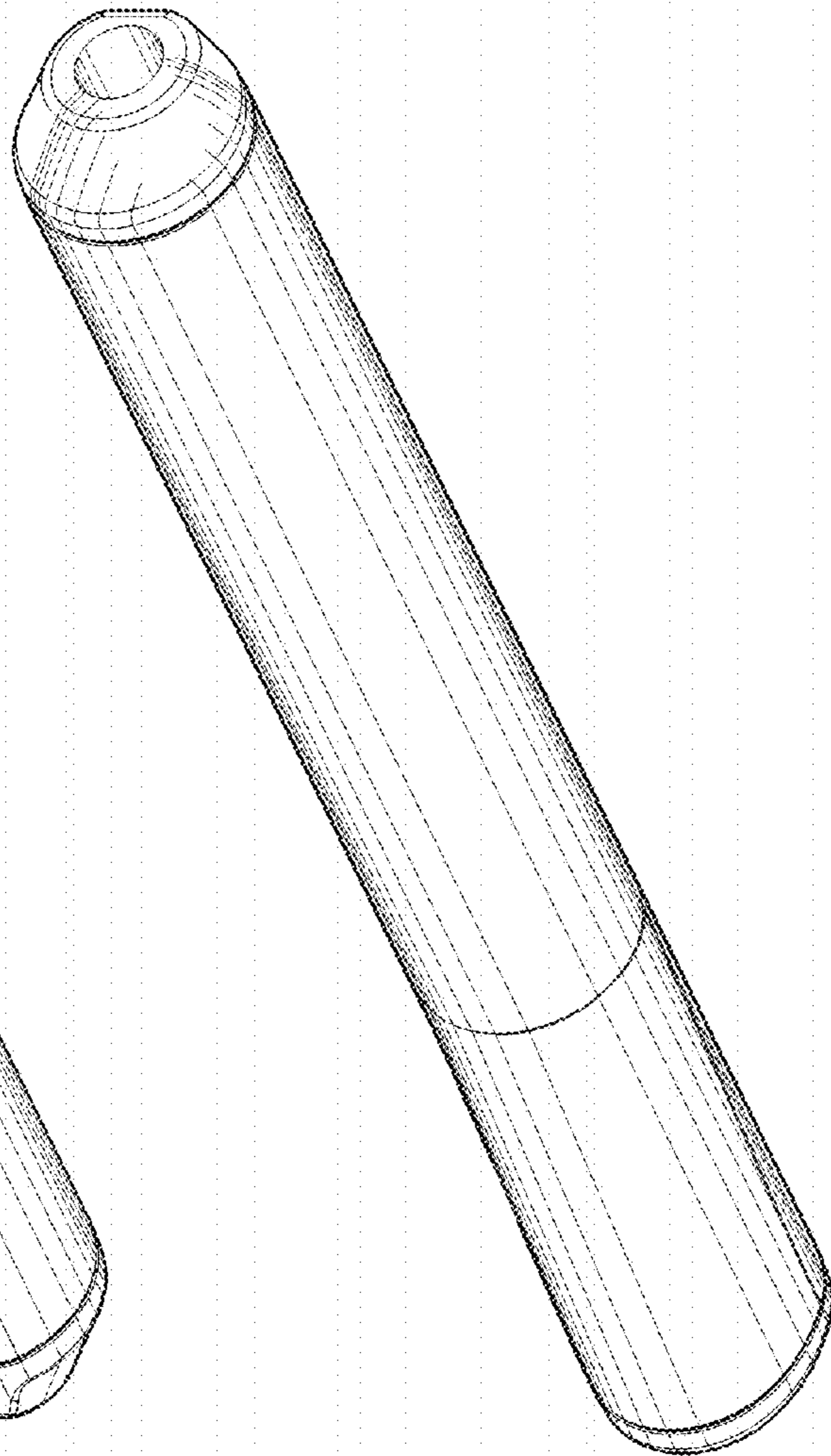


Fig. 2

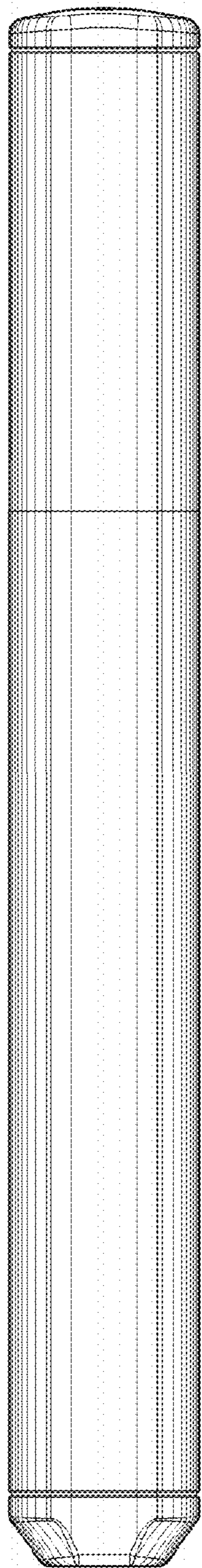


Fig. 3

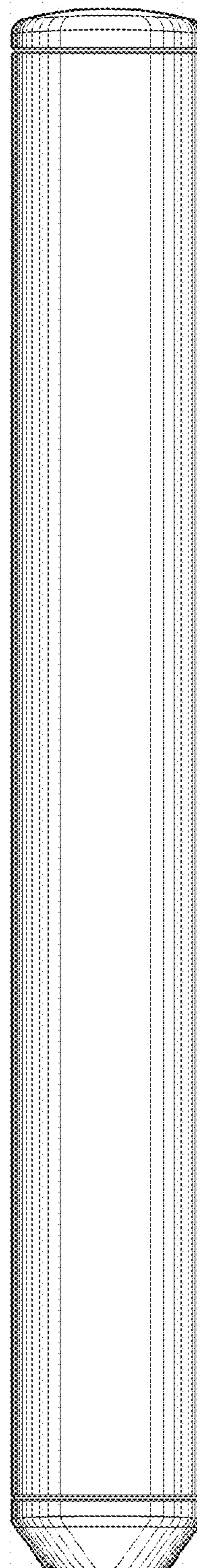


Fig. 4

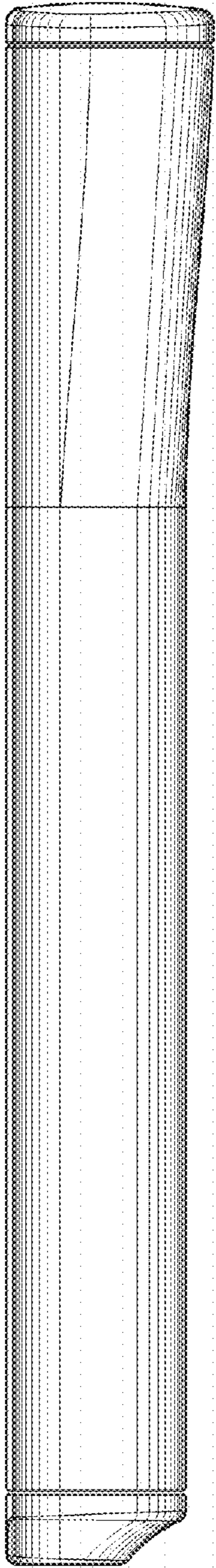


Fig. 7

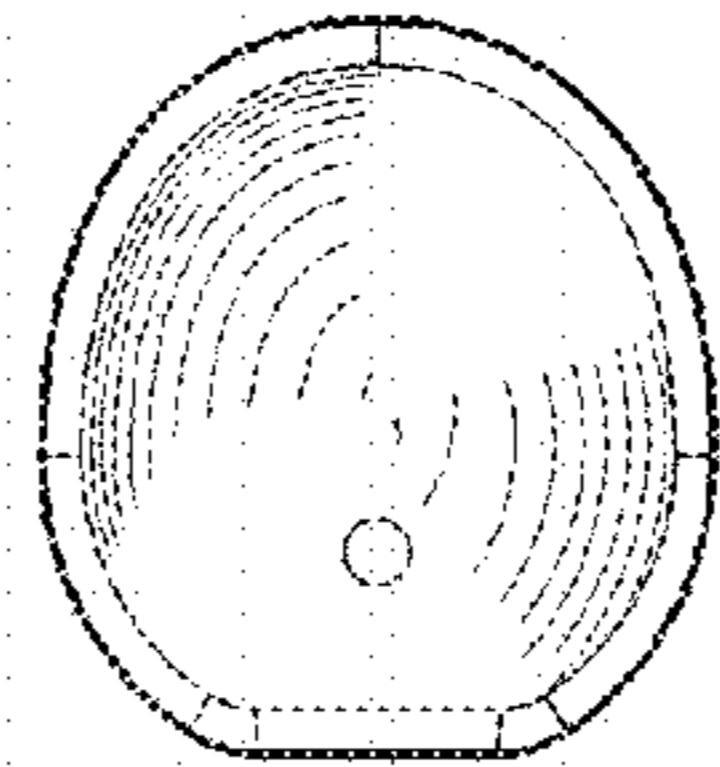


Fig. 5

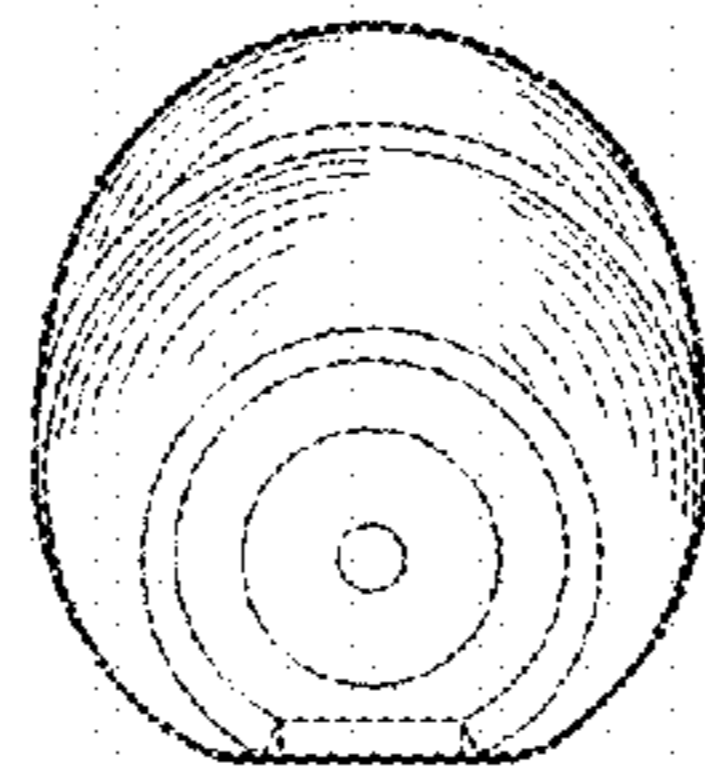


Fig. 6

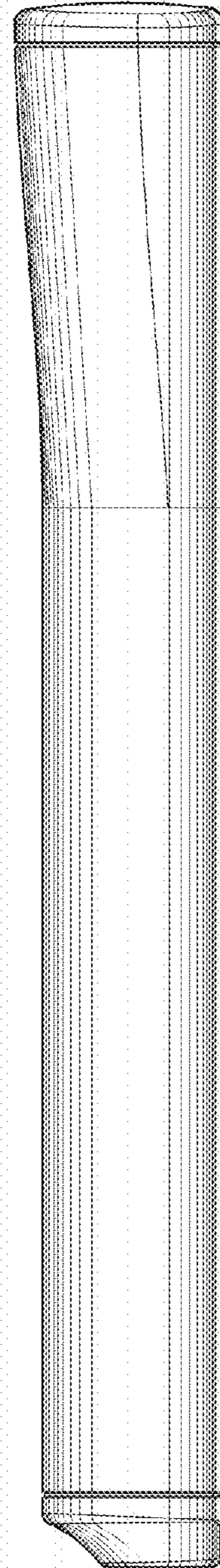


Fig. 8