



US00D733231S

(12) **United States Design Patent**
Suisham

(10) **Patent No.:** **US D733,231 S**
(45) **Date of Patent:** **** Jun. 30, 2015**

- (54) **FOOTBALL TEE**
- (71) Applicant: **Shaun Suisham**, Wexford, PA (US)
- (72) Inventor: **Shaun Suisham**, Wexford, PA (US)
- (**) Term: **14 Years**
- (21) Appl. No.: **29/485,815**
- (22) Filed: **Mar. 24, 2014**
- (51) **LOC (10) Cl.** **21-02**
- (52) **U.S. Cl.**
USPC **D21/716**
- (58) **Field of Classification Search**
USPC D21/715-717; 473/417, 419, 420
CPC A63B 69/0075; A63B 2243/0066;
A63B 2243/007; A63B 69/002
See application file for complete search history.

5,383,668 A	1/1995	Andrikian
5,407,194 A	4/1995	Snow
5,409,212 A	4/1995	Arnett
D372,062 S	7/1996	Spiegel
5,613,678 A	3/1997	McKee
D382,929 S	8/1997	DeBlieux et al.
D383,816 S	9/1997	Spiegel
D383,817 S	9/1997	Spiegel
5,662,241 A	9/1997	Sorensen
D392,705 S	3/1998	Spiegel
5,788,197 A	8/1998	Tutela
5,961,402 A *	10/1999	Spiegel 473/420
6,056,651 A	5/2000	Malinoff
6,309,316 B1	10/2001	Spiegel
6,718,961 B1	4/2004	Woods
D489,779 S	5/2004	Spiegel
D507,315 S	7/2005	Spiegel
D507,814 S	7/2005	Spiegel

(Continued)

Primary Examiner — Catherine Tuttle

(74) *Attorney, Agent, or Firm* — Buchanan Ingersoll & Rooney PC

(56) **References Cited**
U.S. PATENT DOCUMENTS

1,783,211 A	12/1930	Baldwin	
2,659,604 A	11/1953	Mcgowen	
D176,029 S	11/1955	Martin	
D195,088 S	4/1963	Box	
D202,433 S	9/1965	Cullity	
3,309,087 A	3/1967	Cullity	
3,481,602 A	12/1969	Tatter	
4,019,735 A	4/1977	Thompson	
4,313,604 A	2/1982	Baxter	
D269,890 S	7/1983	Stenerud	
4,418,910 A	12/1983	Stenerud	
D277,973 S	3/1985	Stenerud	
4,537,397 A	8/1985	Kopp	
4,655,453 A	4/1987	Spiegel	
4,657,252 A	4/1987	Spiegel	
D291,714 S	9/1987	Spiegel	
D305,448 S	1/1990	Spiegel	
D309,168 S *	7/1990	Smith D21/716	
4,984,790 A	1/1991	Dowdy	
5,100,135 A	3/1992	Bourgeois	

(57) **CLAIM**

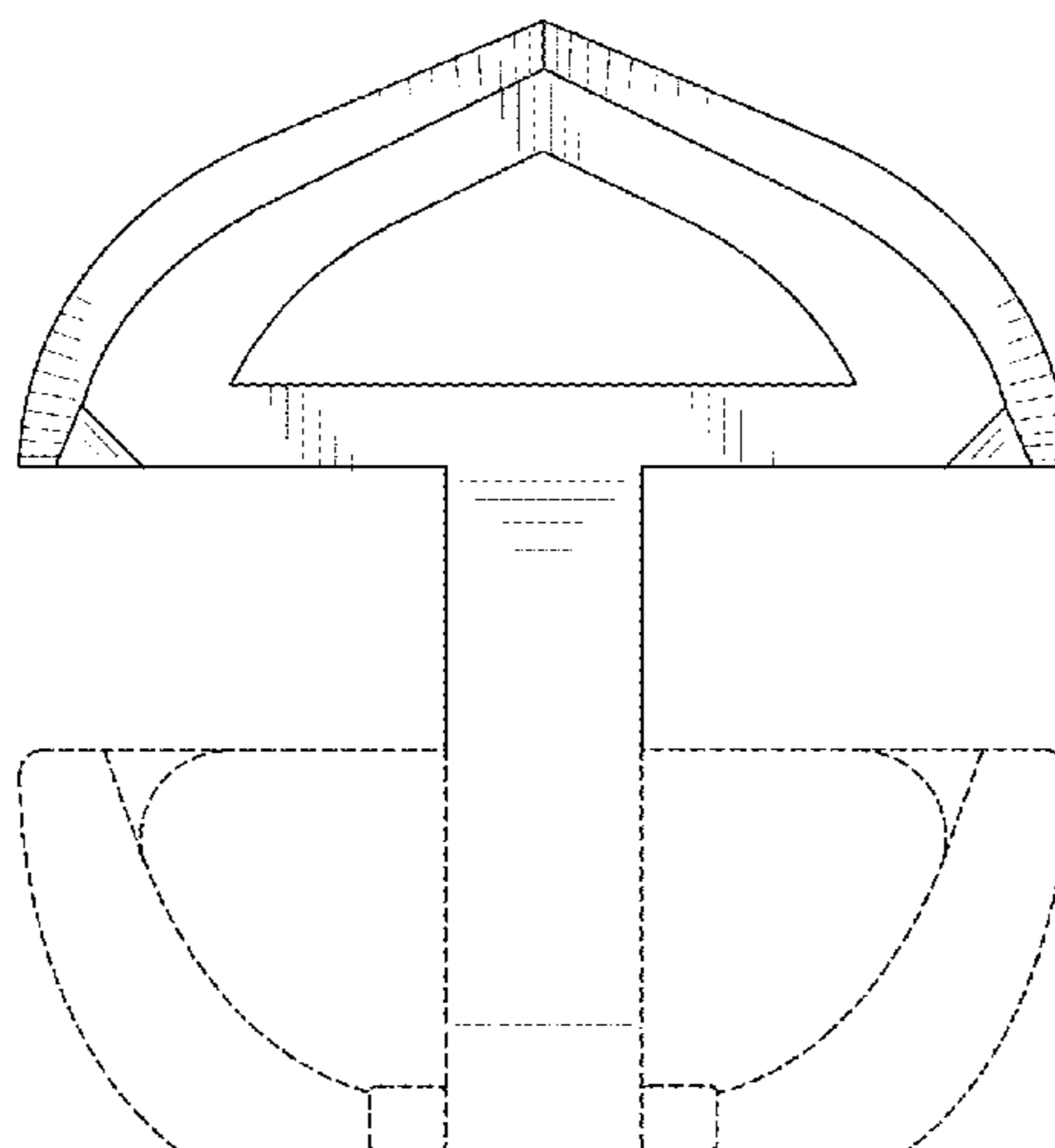
The ornamental design for a football tee, as shown and described.

DESCRIPTION

FIG. 1 is a top view of the football tee;
 FIG. 2 is an elevated perspective view of the football tee;
 FIG. 3 is a bottom view of the football tee;
 FIG. 4 is a rear view of the football tee;
 FIG. 5 is a left side view of the football tee;
 FIG. 6 is a right side view of the football tee; and,
 FIG. 7 is a front view of the football tee.

The broken lines are included for the purpose of illustrating portions of the football tee and associated football that form no part of the claimed design. The appearance within the unshaded area between the solid line profiles in FIG. 3 likewise forms no part of the claimed design.

1 Claim, 7 Drawing Sheets



(56)

References Cited

U.S. PATENT DOCUMENTS

D513,775 S 1/2006 Spiegel
7,052,416 B2 5/2006 Chang
7,125,349 B2 10/2006 Tucker

D634,798 S 3/2011 Suisham et al.
8,262,514 B2 9/2012 Spiegel et al.
8,517,864 B2 8/2013 Spiegel
2001/0029212 A1 10/2001 Dovigi

* cited by examiner

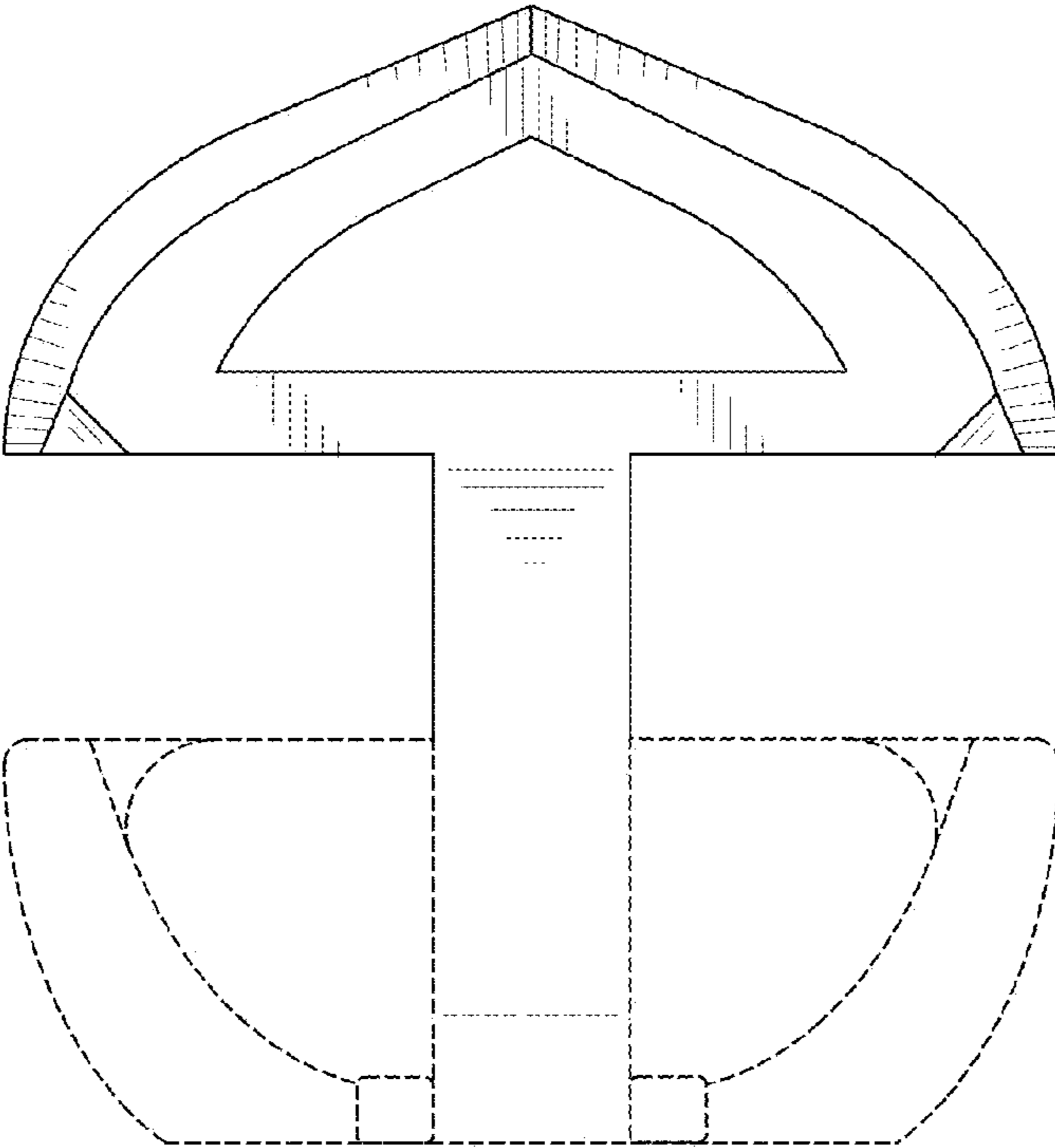


FIG. 1

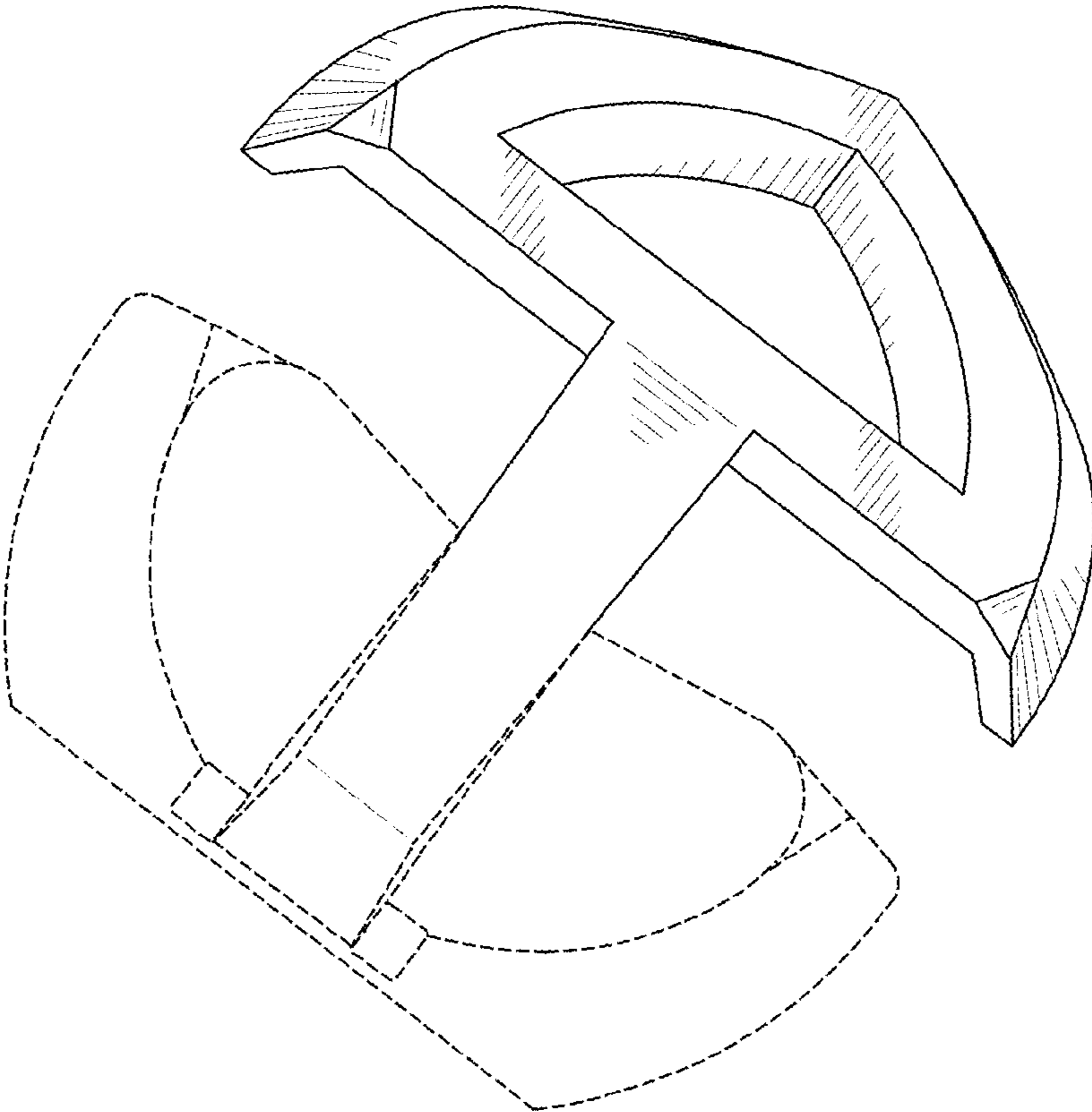


FIG. 2

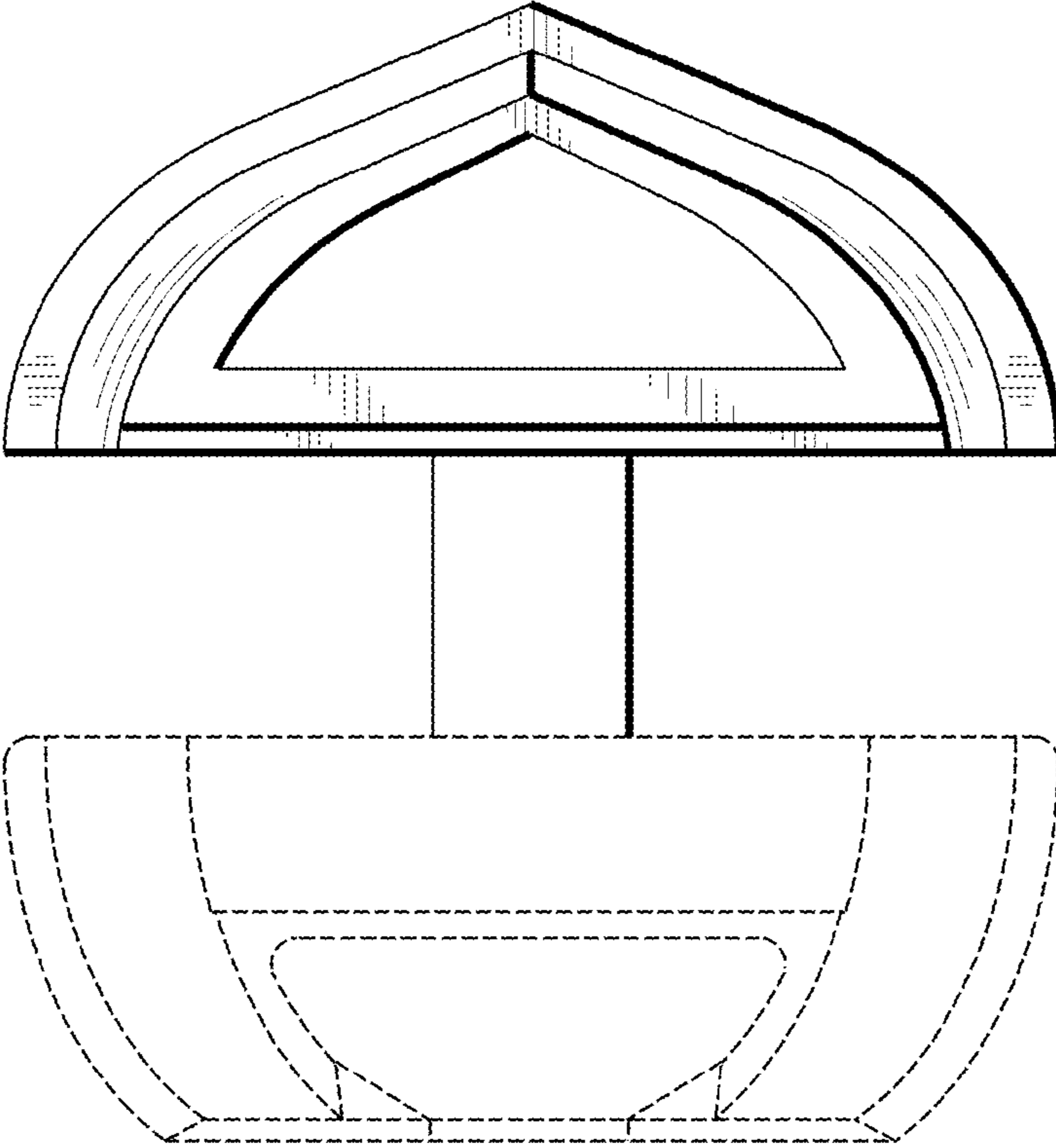


FIG. 3

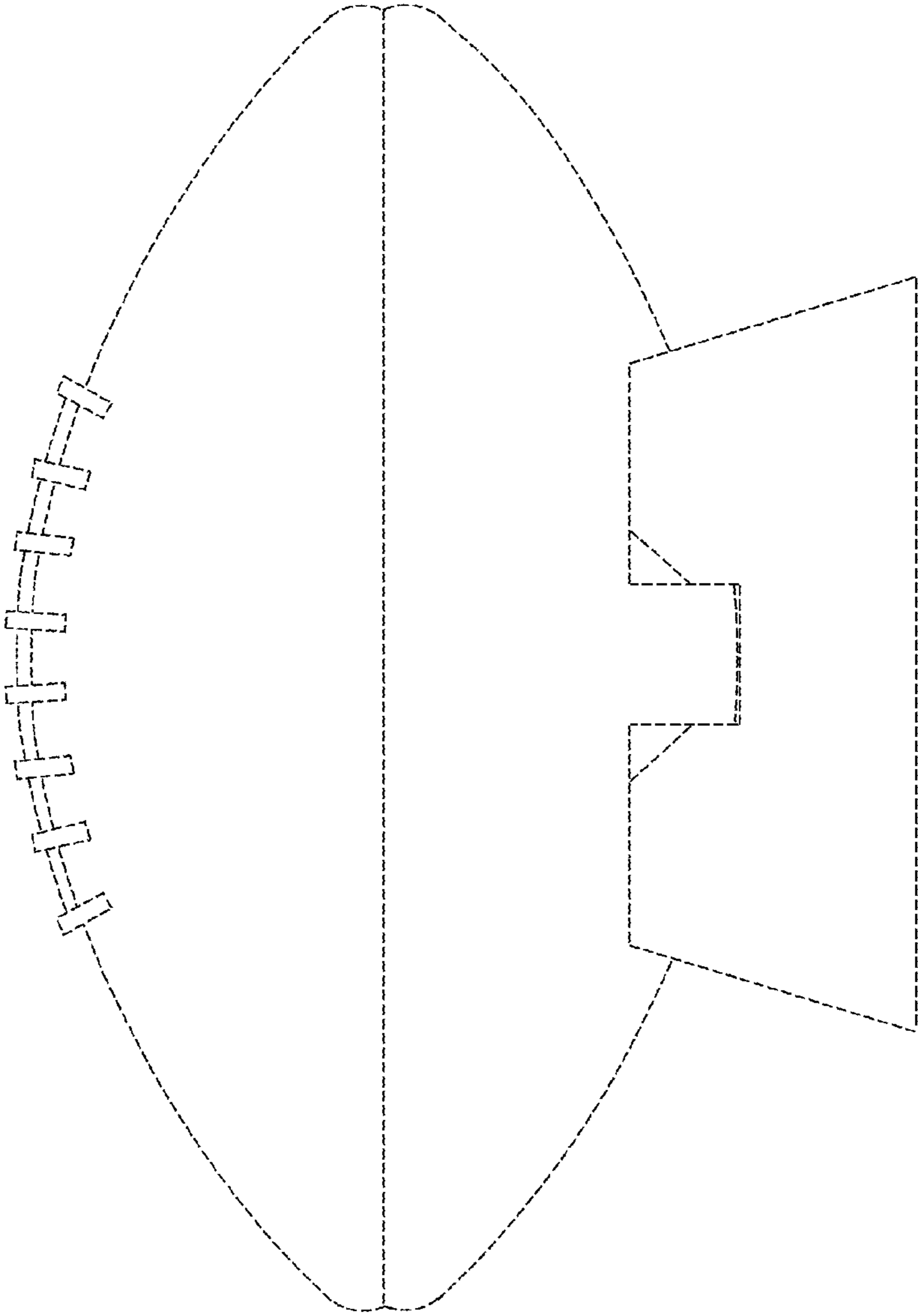


FIG. 4

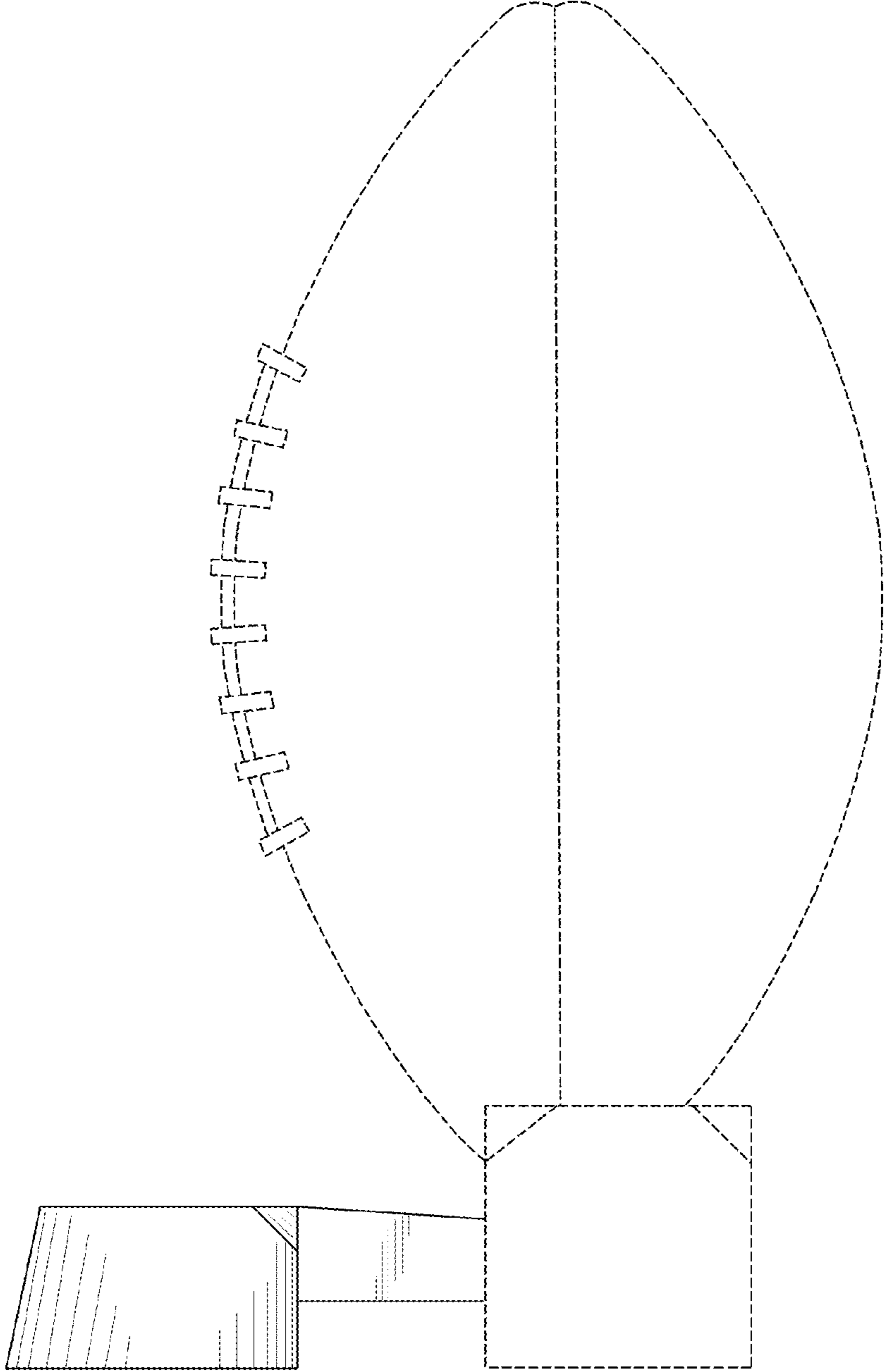


FIG. 5

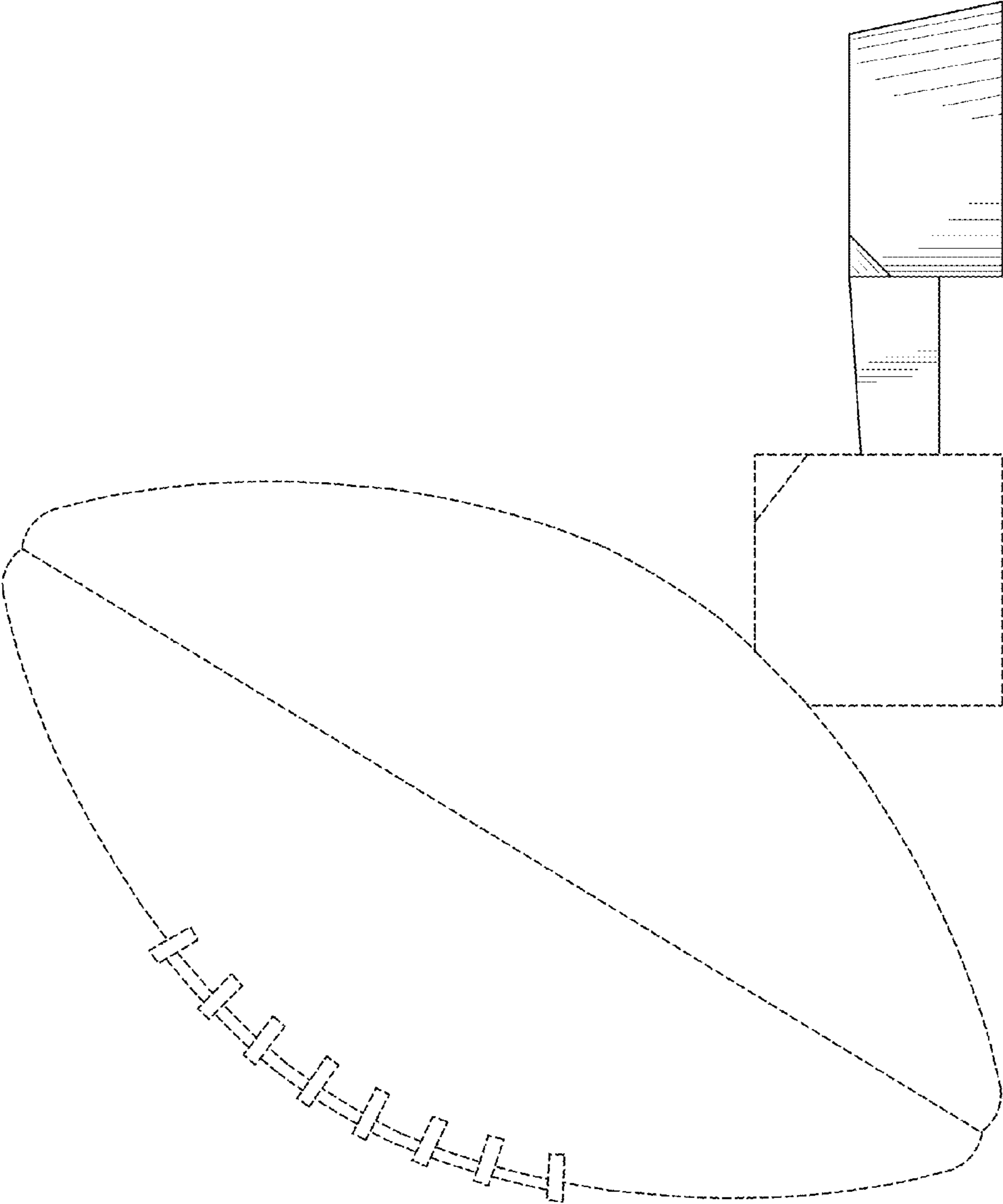


FIG. 6

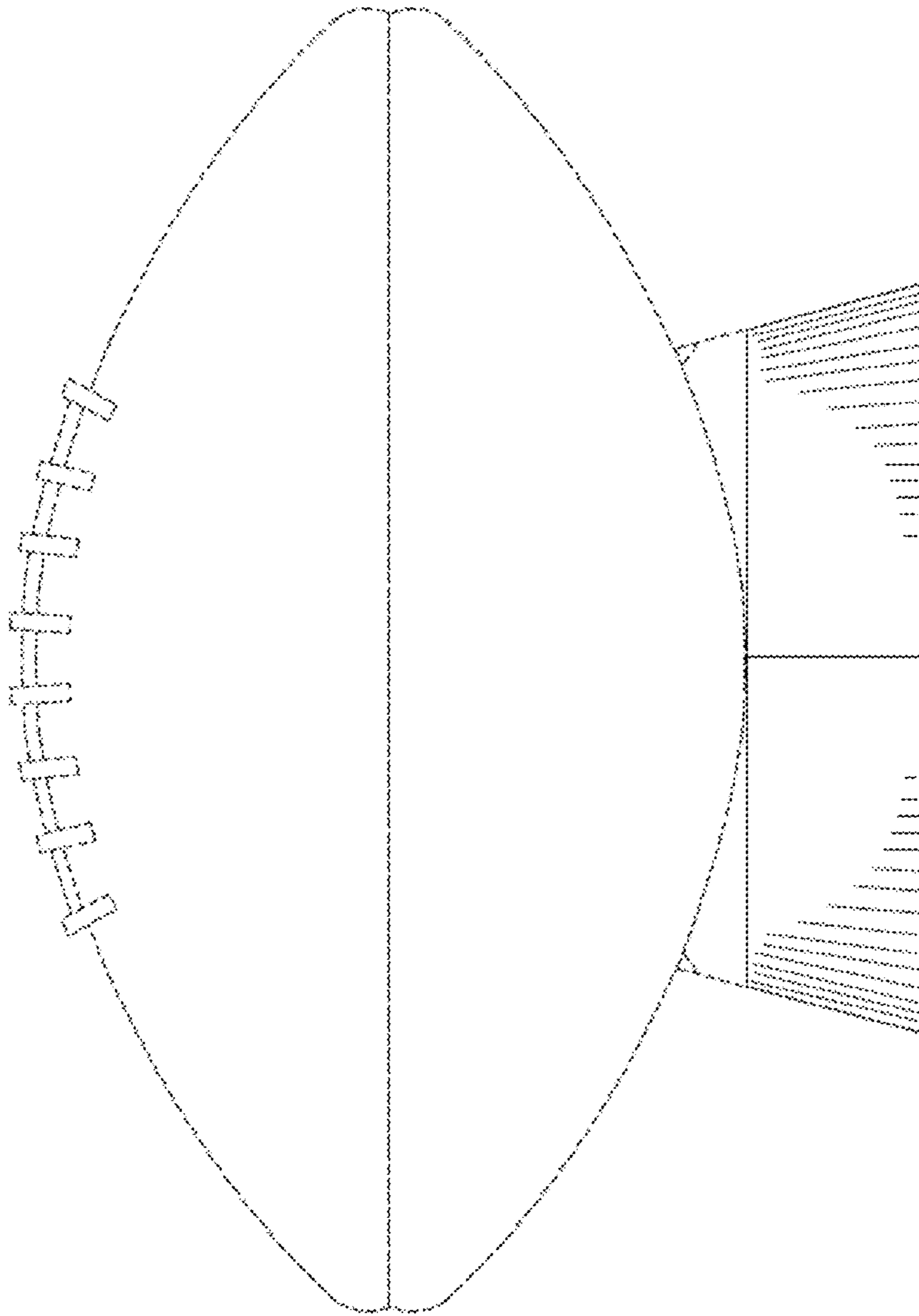


FIG. 7