



US00D733230S

(12) **United States Design Patent**
Mallory

(10) **Patent No.:** **US D733,230 S**

(45) **Date of Patent:** **** Jun. 30, 2015**

- (54) **BLOCK FOR YOGA PRACTICE**
- (71) Applicant: **Rad Innovation LLC**, Denver, CO (US)
- (72) Inventor: **Michael Mallory**, Evergreen, CO (US)
- (73) Assignee: **RAD INNOVATIONS LLC**, Denver, CO (US)
- (**) Term: **14 Years**

D412,662	S	*	8/1999	Giskeødegaard et al.	D9/636
D639,124	S	*	6/2011	Byun	D7/701
D639,876	S	*	6/2011	Tsou	D21/686
D645,794	S	*	9/2011	Noble et al.	D12/159
D721,545	S	*	1/2015	Hollander	D7/620
D724,004	S	*	3/2015	McFarlin et al.	D12/419
2004/0192523	A1	*	9/2004	Wu	482/148
2008/0296823	A1	*	12/2008	Pourounidis et al.	269/289 R
2009/0062093	A1	*	3/2009	Clark	482/148
2010/0240509	A1	*	9/2010	Chen et al.	482/148

- (21) Appl. No.: **29/502,440**
- (22) Filed: **Sep. 16, 2014**
- (51) **LOC (10) Cl.** **21-02**
- (52) **U.S. Cl.**
USPC **D21/686**
- (58) **Field of Classification Search**
USPC D7/698, 699, 553.4, 555; D6/374, 716, D6/375, 582, 601, 354, 406.3, 358; D21/688, 686, 662, 671, 680, 682, 694, D21/695, 690, 698, 699, 797, 369; D24/190, 168; D29/120.1; D25/155; D19/113, 26, 32; D3/203.2; D2/897, D2/925, 950, 947; D26/37; 99/472, 467; 269/14, 289 R, 13, 15; 156/250, 256, 156/272.8, 308.2, 330, 60; 506/257; 5/420; 428/80

See application file for complete search history.

(56) **References Cited**

U.S. PATENT DOCUMENTS

D339,507	S	*	9/1993	Ancona et al.	D7/698
D349,541	S	*	8/1994	Bertolucci et al.	D21/686
D387,109	S	*	12/1997	Winans	D21/680
D399,888	S	*	10/1998	Beam	D21/369

OTHER PUBLICATIONS

<<http://www.blackroll.com/collections/blackroll-block/products/blackroll-block>>; Retrieved Dec. 15, 2014.

* cited by examiner

Primary Examiner — Robert M Spear

Assistant Examiner — Ryan Harvey

(74) *Attorney, Agent, or Firm* — Mollborn Patents, Inc.; Fredrik Mollborn

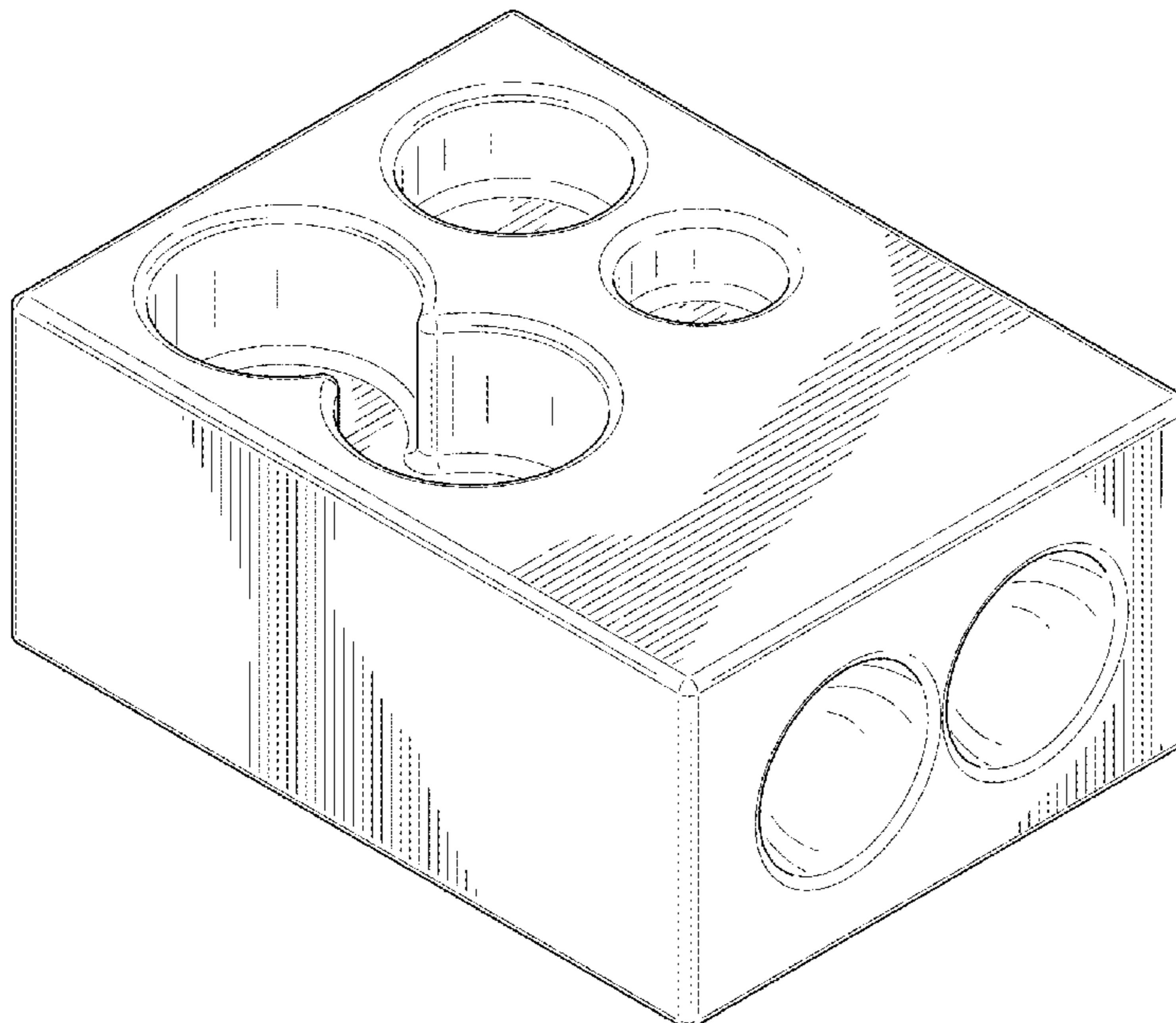
(57) **CLAIM**

The ornamental design for a block for yoga practice, as shown and described.

DESCRIPTION

FIG. 1 is a front elevated perspective view of a block for yoga practice showing my new design;
 FIG. 2 is a back elevated perspective view of the yoga block;
 FIG. 3 is a front elevational view of the yoga block;
 FIG. 4 is a back elevational view of the yoga block;
 FIG. 5 is a left side elevational view of the yoga block;
 FIG. 6 is a right side elevational view of the yoga block;
 FIG. 7 is a top plan view of the yoga block; and,
 FIG. 8 is a bottom plan view of the yoga block.

1 Claim, 7 Drawing Sheets



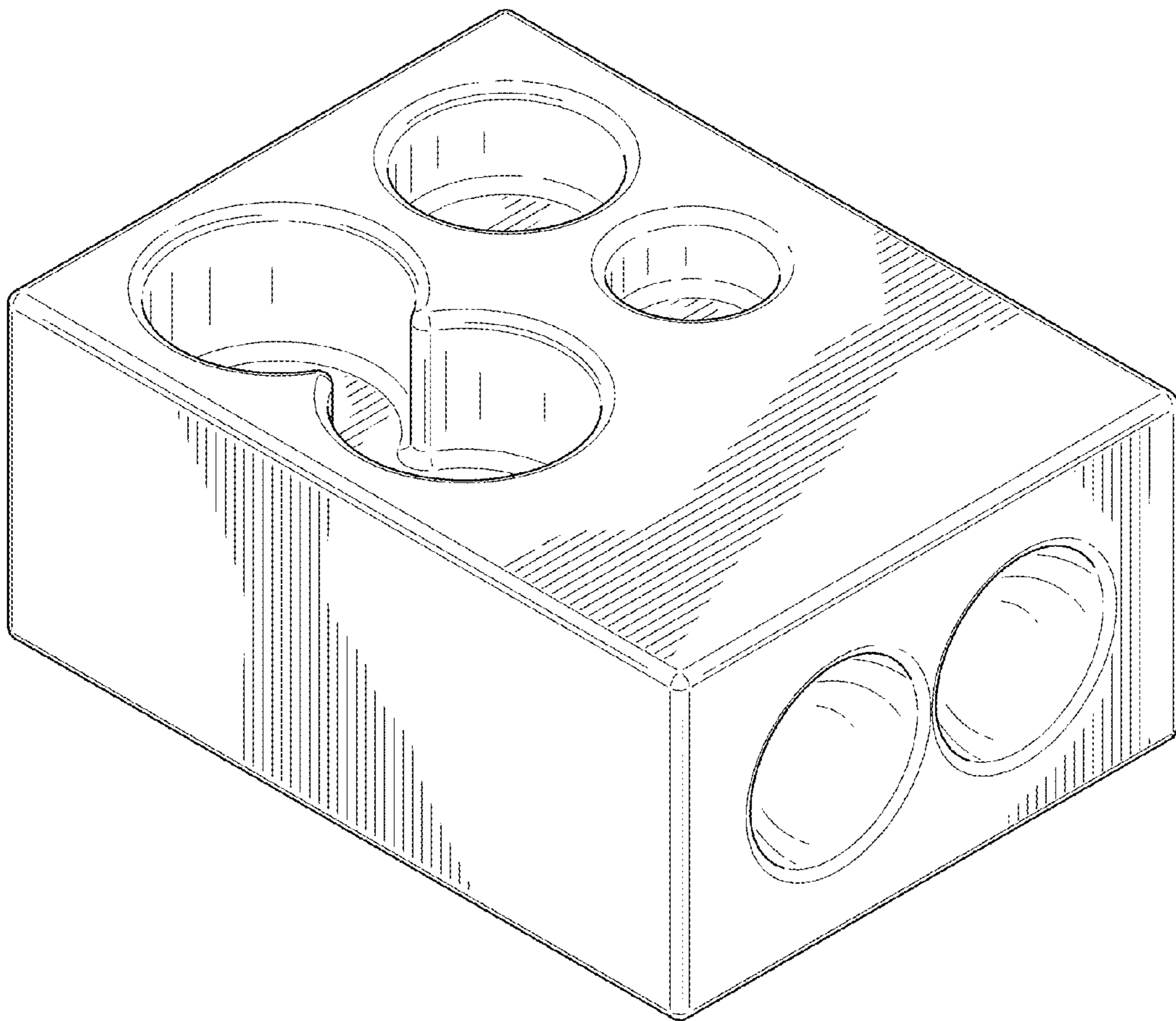


FIG. 1

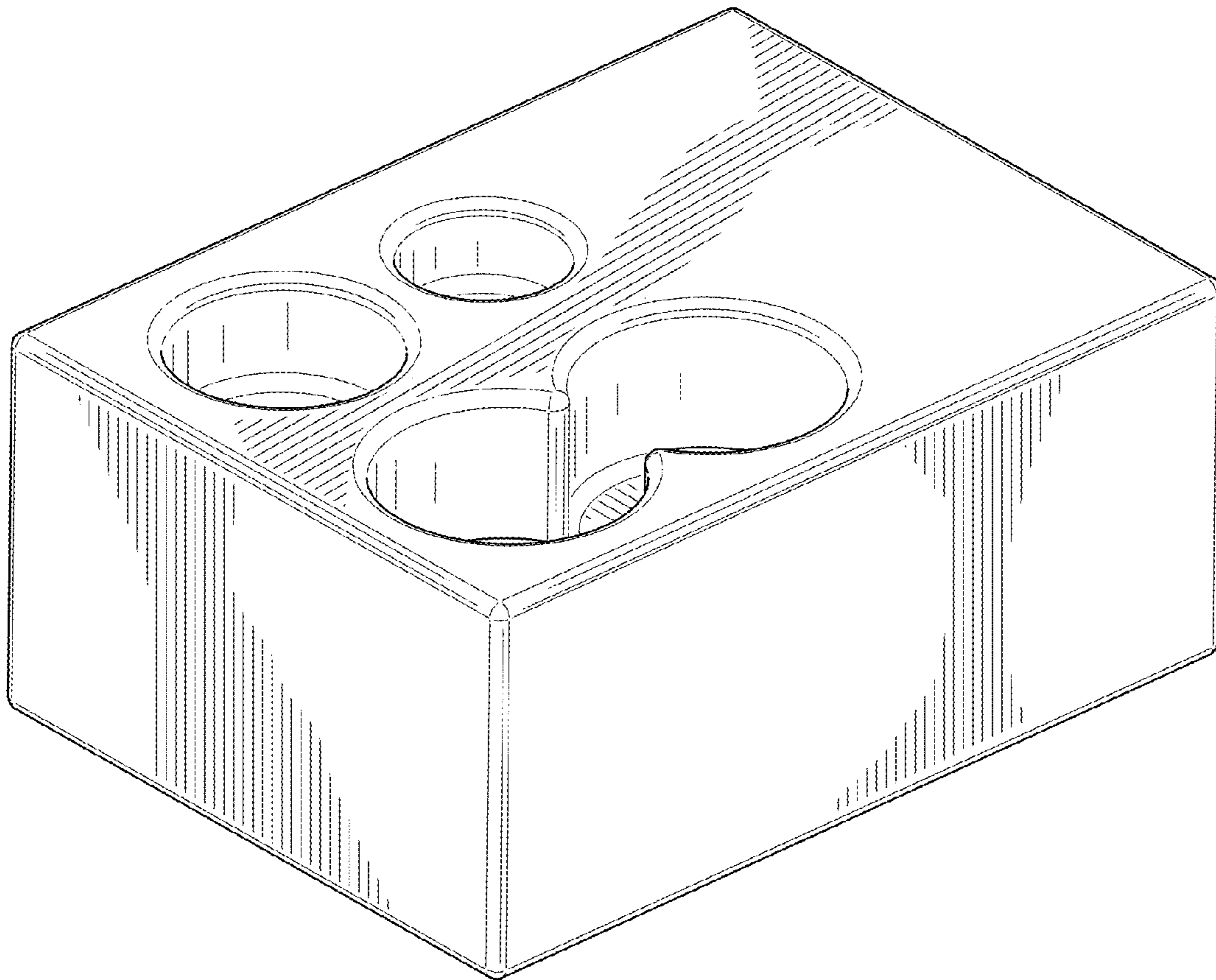


FIG. 2

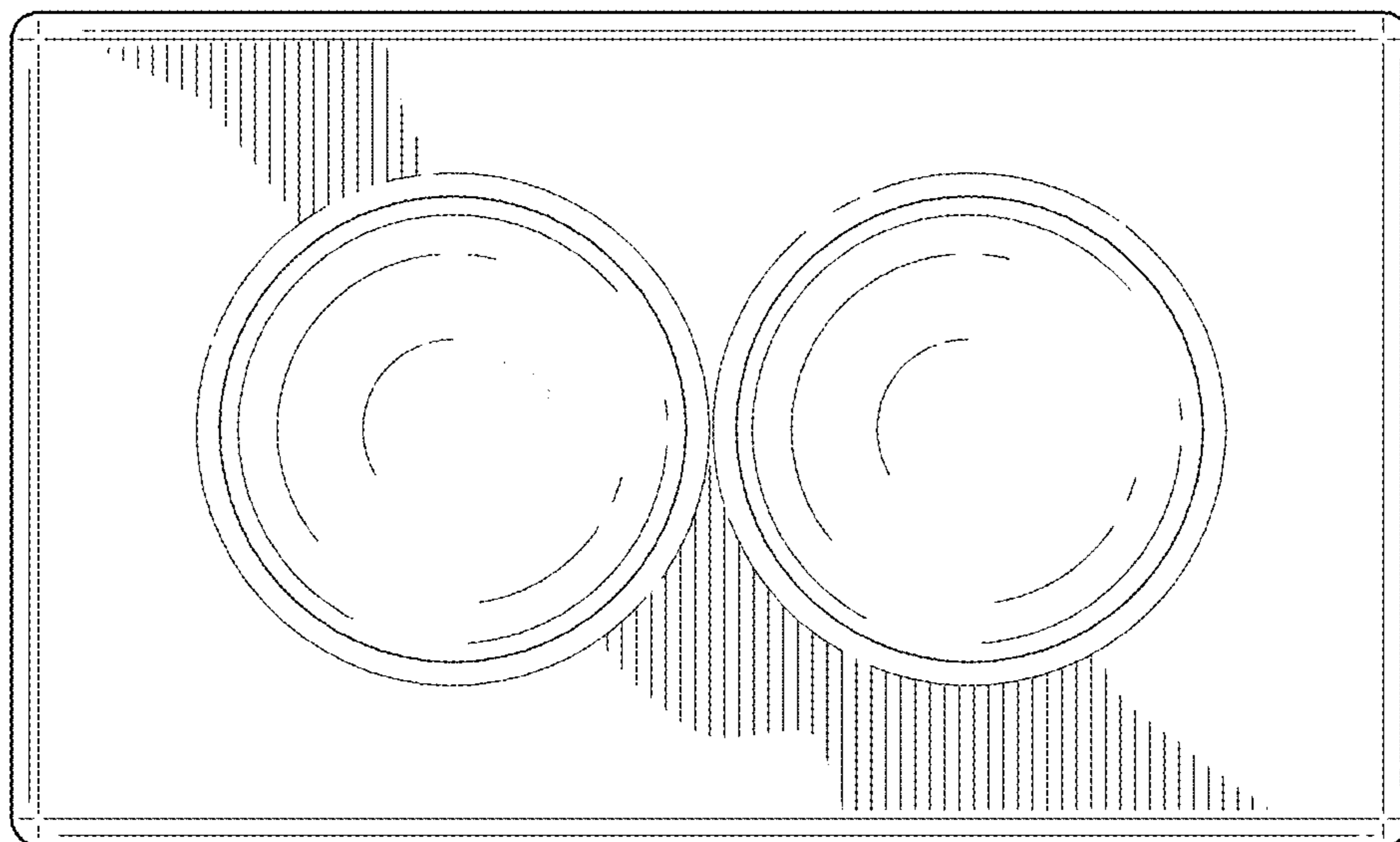


FIG. 3

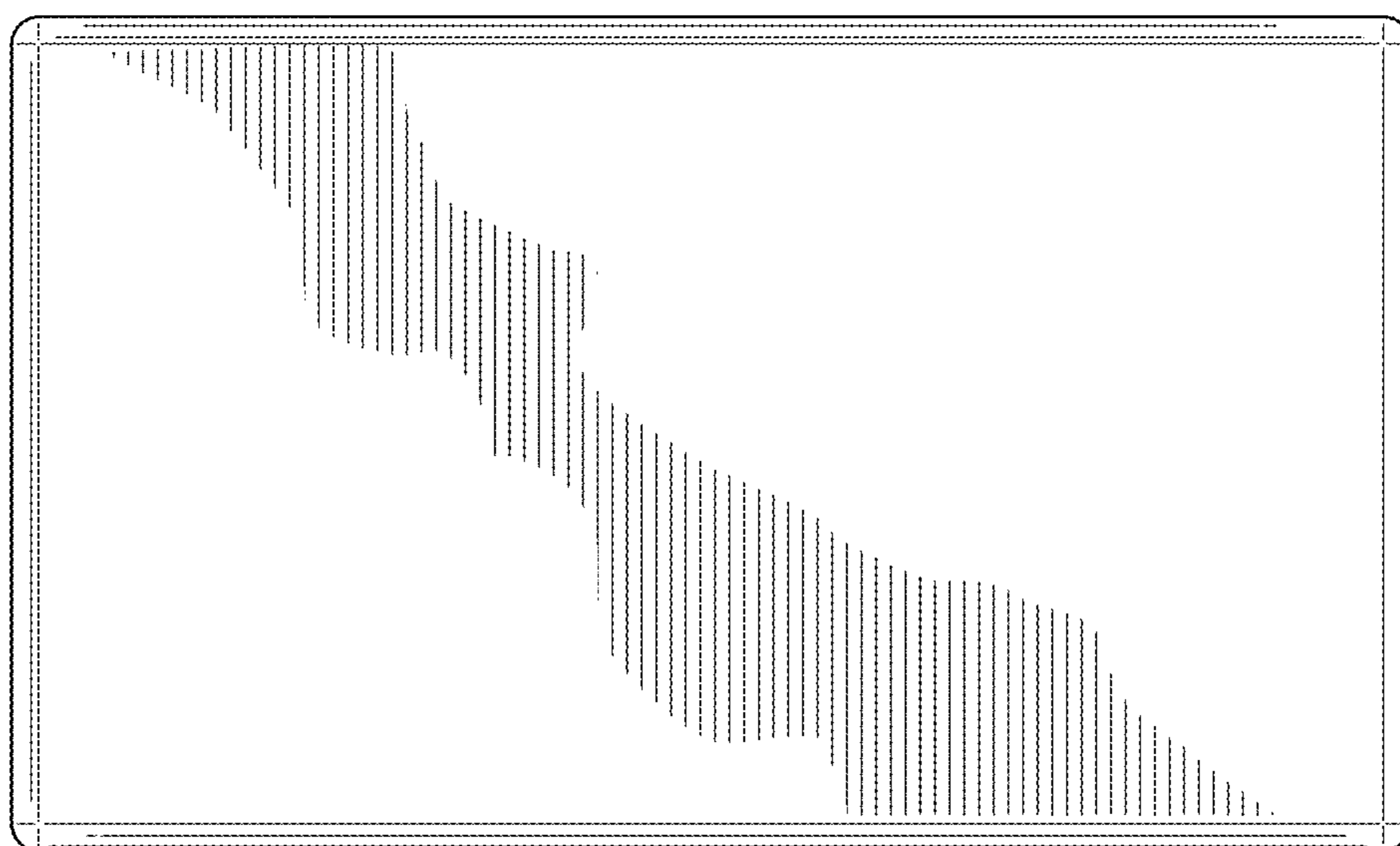


FIG. 4

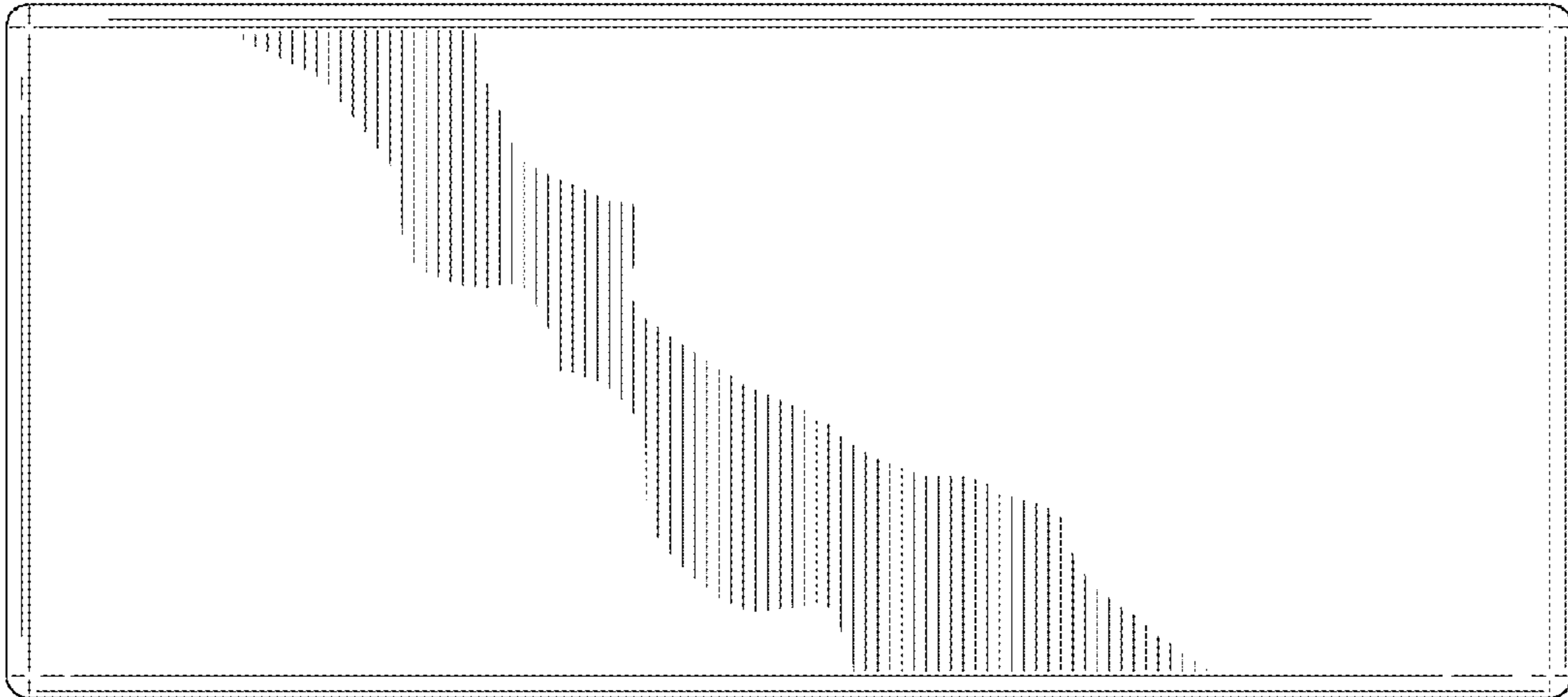


FIG. 5

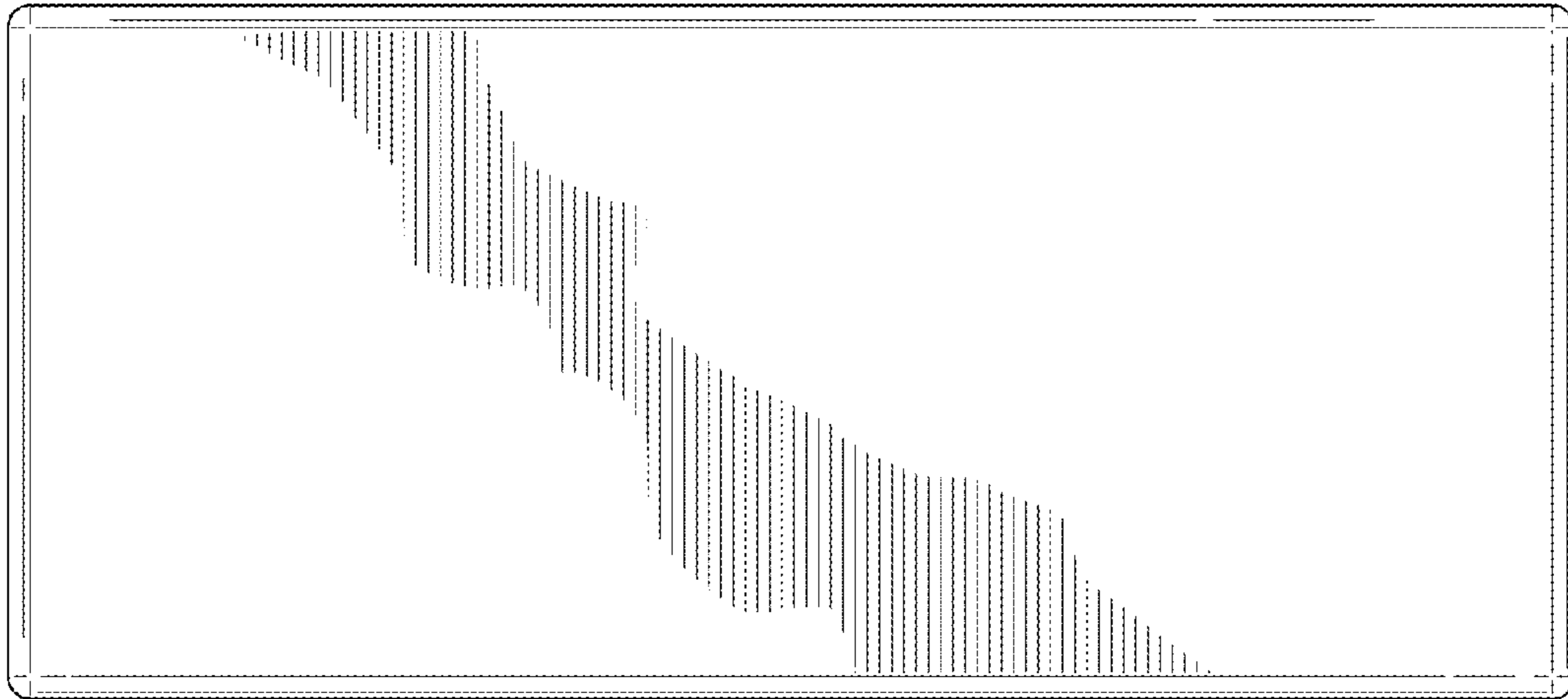


FIG. 6

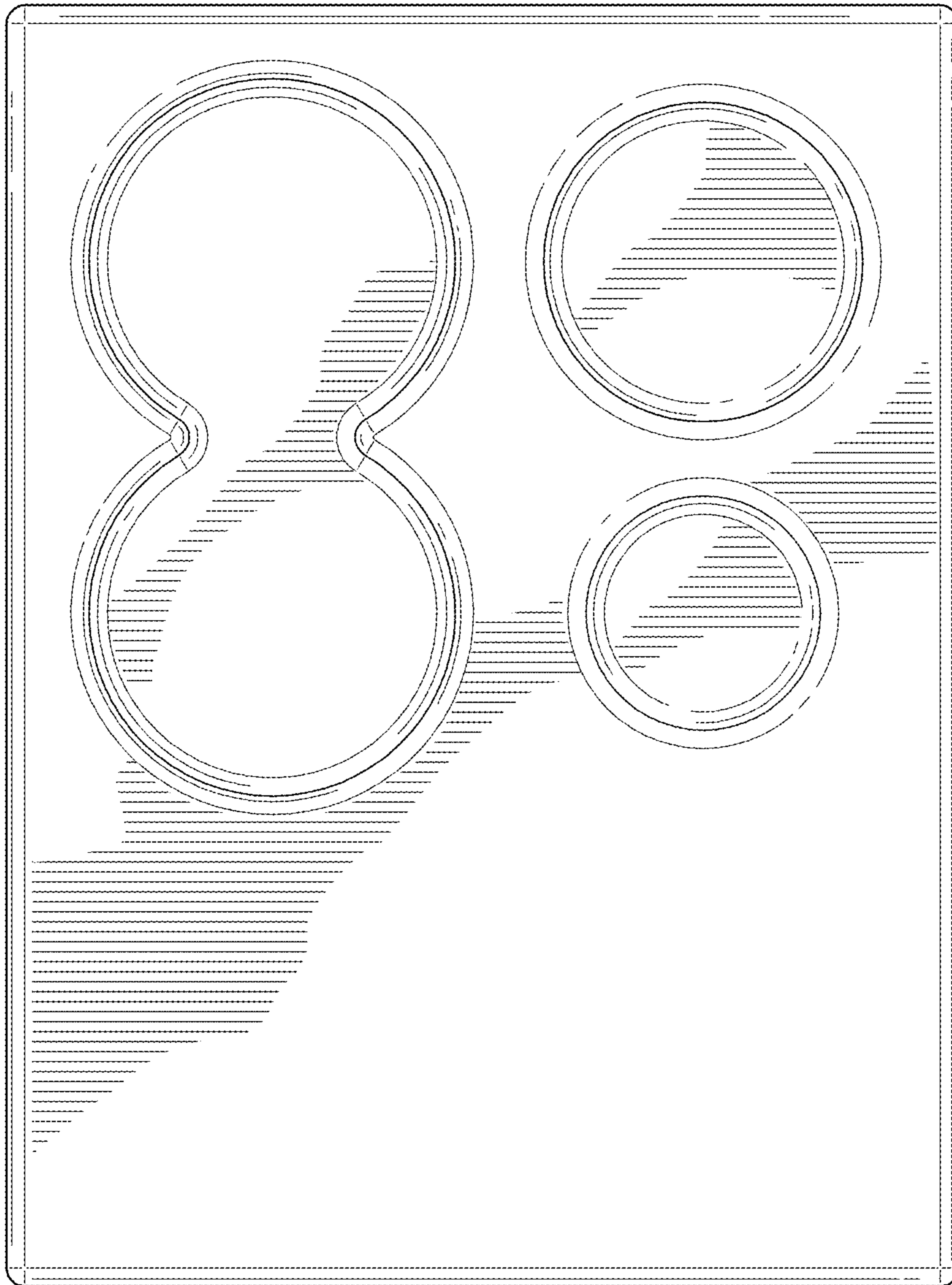


FIG. 7



FIG. 8