



US00D733223S

(12) **United States Design Patent**
Chu

(10) **Patent No.:** **US D733,223 S**

(45) **Date of Patent:** **** Jun. 30, 2015**

(54) **TOY GUN**

(71) Applicant: **I CHIH SHIVAN ENTERPRISE CO., LTD.**, Taichung (TW)

(72) Inventor: **Chen Tang Chu**, Taichung (TW)

(73) Assignee: **I Chih Shivan Enterprise Co., Ltd.**, Taichung (TW)

(**) Term: **14 Years**

(21) Appl. No.: **29/486,721**

(22) Filed: **Apr. 2, 2014**

(51) **LOC (10) Cl.** **21-01**

(52) **U.S. Cl.**
USPC **D21/573**

(58) **Field of Classification Search**
USPC D21/333, 401, 461, 567, 568, 570-575;
D14/418; D22/100, 101, 104, 105,
D22/108-110; 124/16, 26, 27, 28, 29, 54,
124/73-77; 222/78, 79; 42/54, 57, 58;
446/23, 182, 192, 401, 403, 405-407,
446/473, 475
CPC F41B 11/89; F41B 7/08
See application file for complete search history.

(56) **References Cited**

U.S. PATENT DOCUMENTS

6,839,998 B1 * 1/2005 Armstrong 42/71.01
D510,401 S * 10/2005 Murello et al. D22/103
D512,117 S * 11/2005 Murello et al. D22/103
D516,660 S * 3/2006 Murello et al. D22/103

D584,373 S * 1/2009 Young D22/103
D606,614 S * 12/2009 Fitzpatrick et al. D22/103
D638,887 S * 5/2011 En D21/573
D648,811 S * 11/2011 En D21/573
D649,202 S * 11/2011 En D21/573
D664,606 S * 7/2012 Johnson D21/573
D667,072 S * 9/2012 Kriegleder D22/103
D671,183 S * 11/2012 Lucansky D22/103
D680,611 S * 4/2013 Emde et al. D22/103
D687,905 S * 8/2013 Hadley et al. D21/573
D701,272 S * 3/2014 Lee D21/573

* cited by examiner

Primary Examiner — Cynthia M Chin

(74) *Attorney, Agent, or Firm* — Leong C. Lei

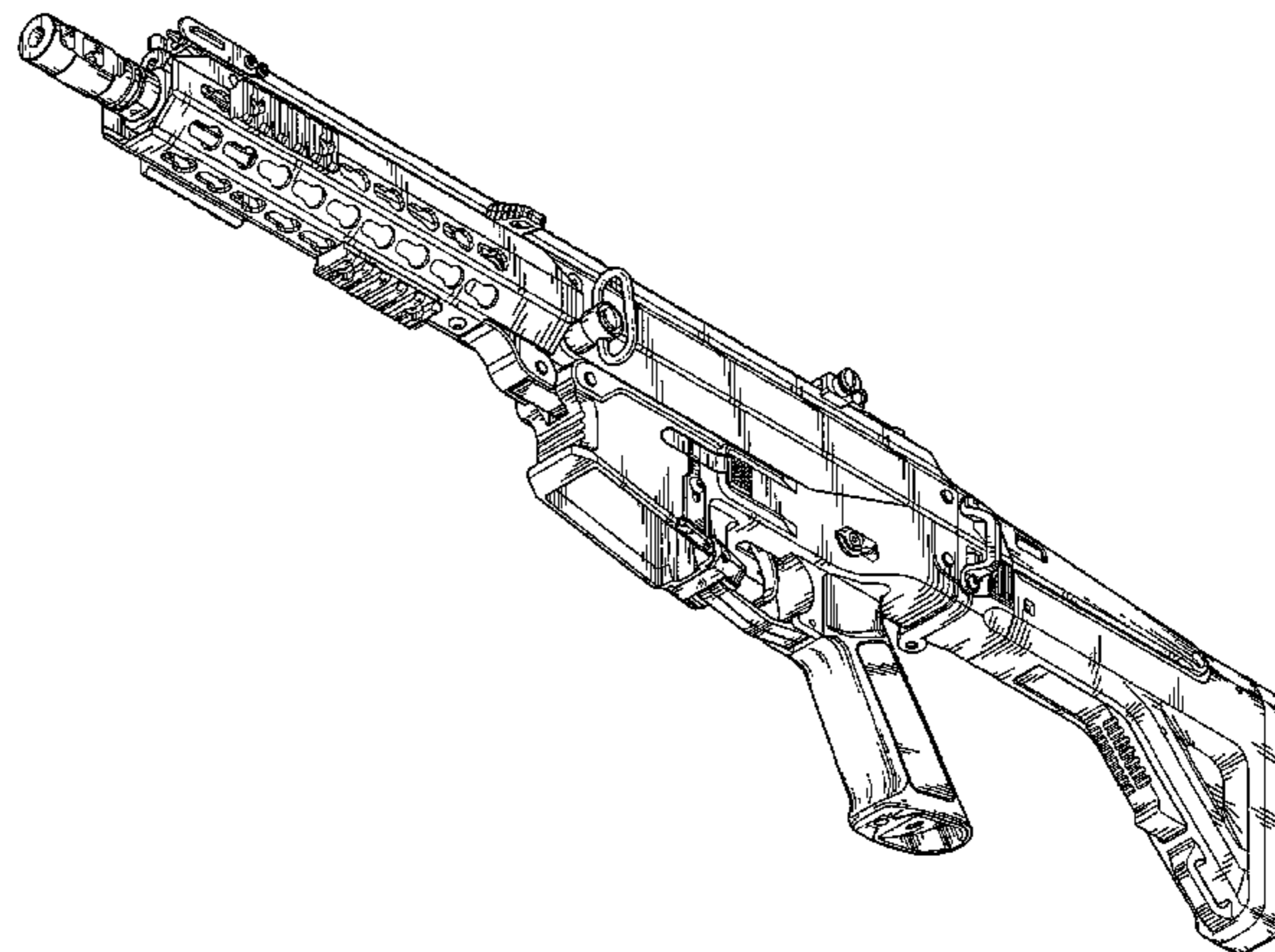
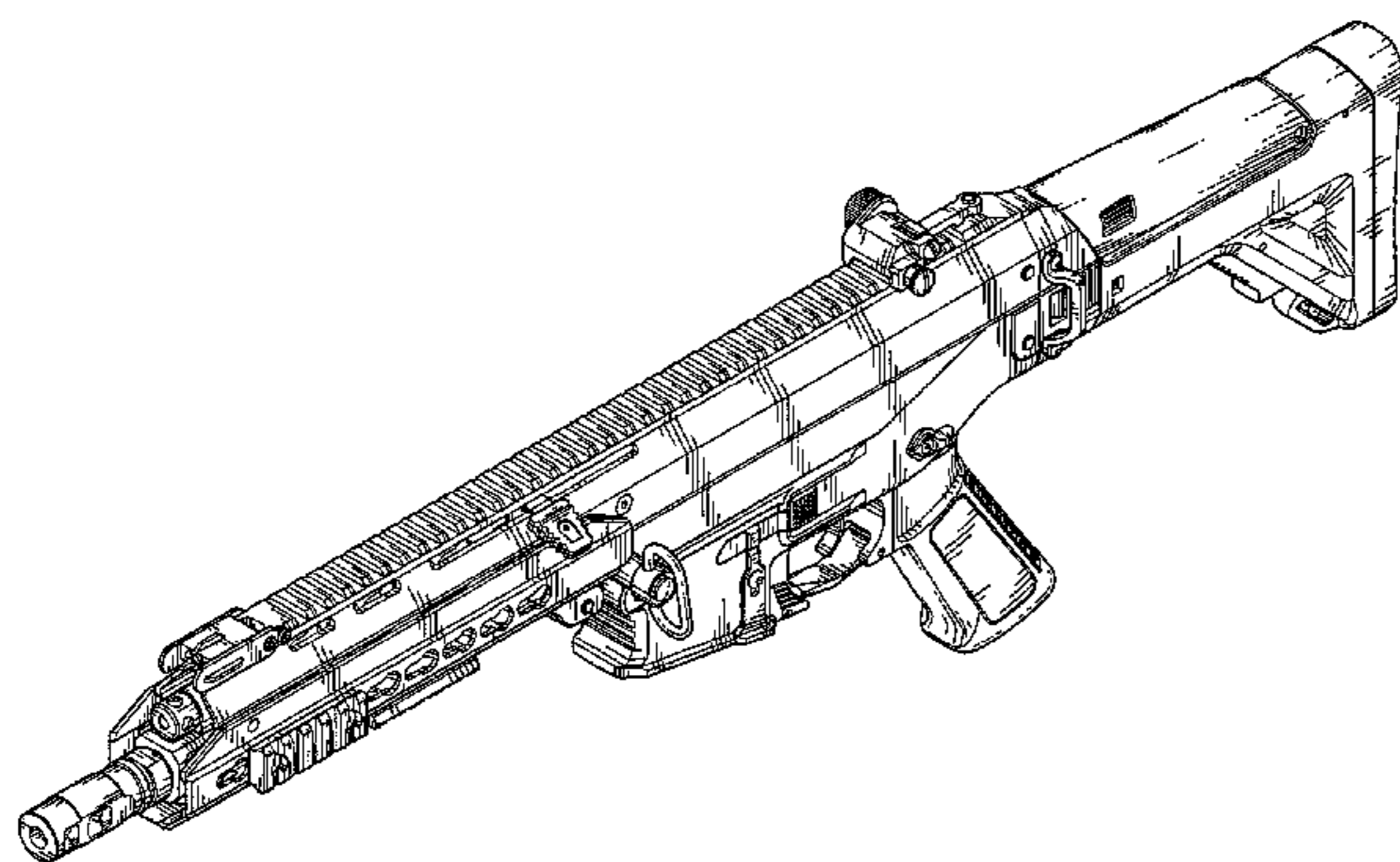
(57) **CLAIM**

The ornamental design for a toy gun, as shown and described.

DESCRIPTION

FIG. 1 is a front perspective view of a toy gun showing my new design;
FIG. 2 is a front elevational view thereof;
FIG. 3 is a rear elevational view thereof;
FIG. 4 is a left elevational view thereof;
FIG. 5 is a right elevational view thereof;
FIG. 6 is a top plan view thereof;
FIG. 7 is a bottom plan view thereof;
FIG. 8 is a rear perspective view thereof; and,
FIG. 9 is another perspective view thereof.
The portions of the article shown in broken lines form no part of the claimed design.

1 Claim, 8 Drawing Sheets



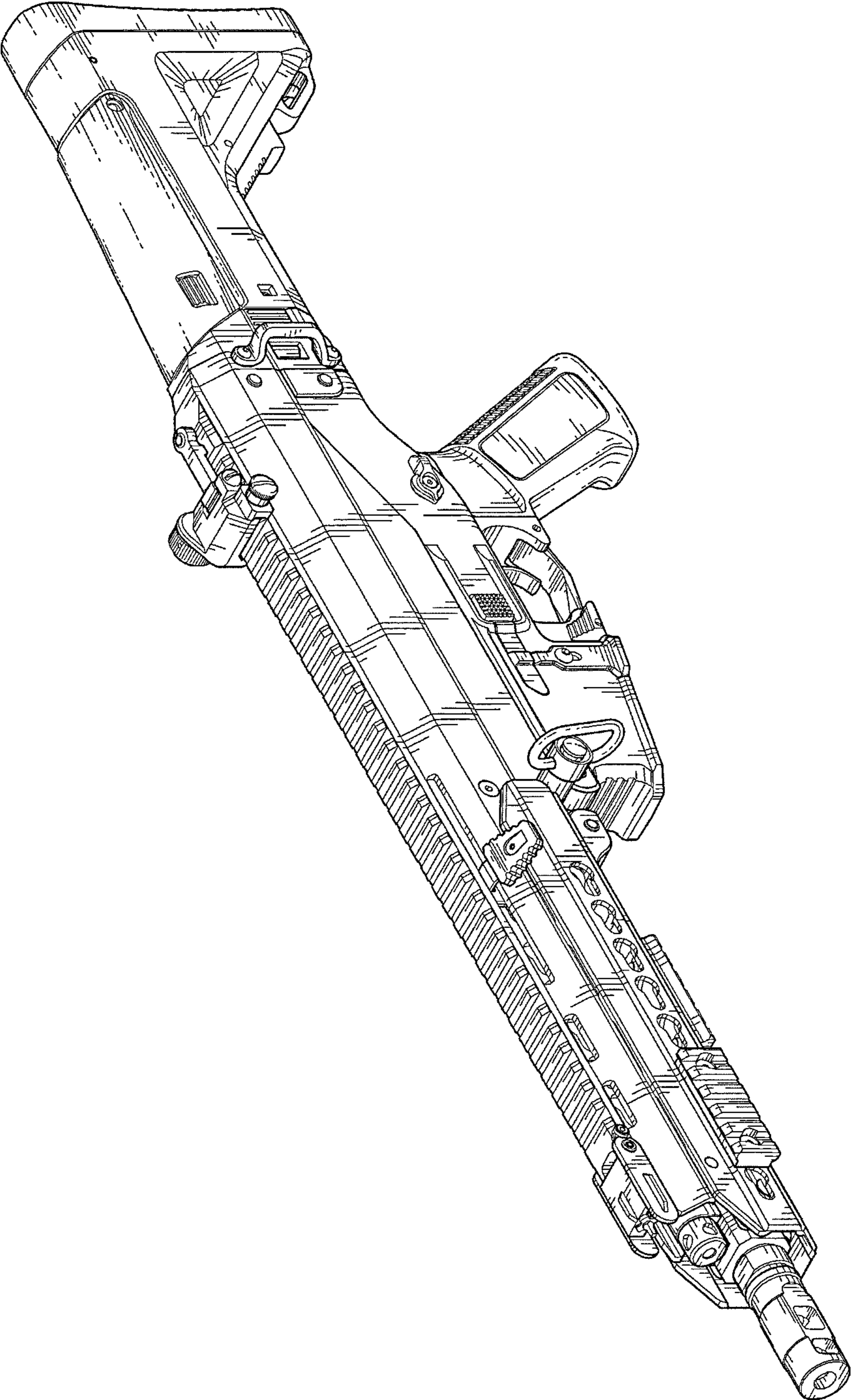


FIG.1

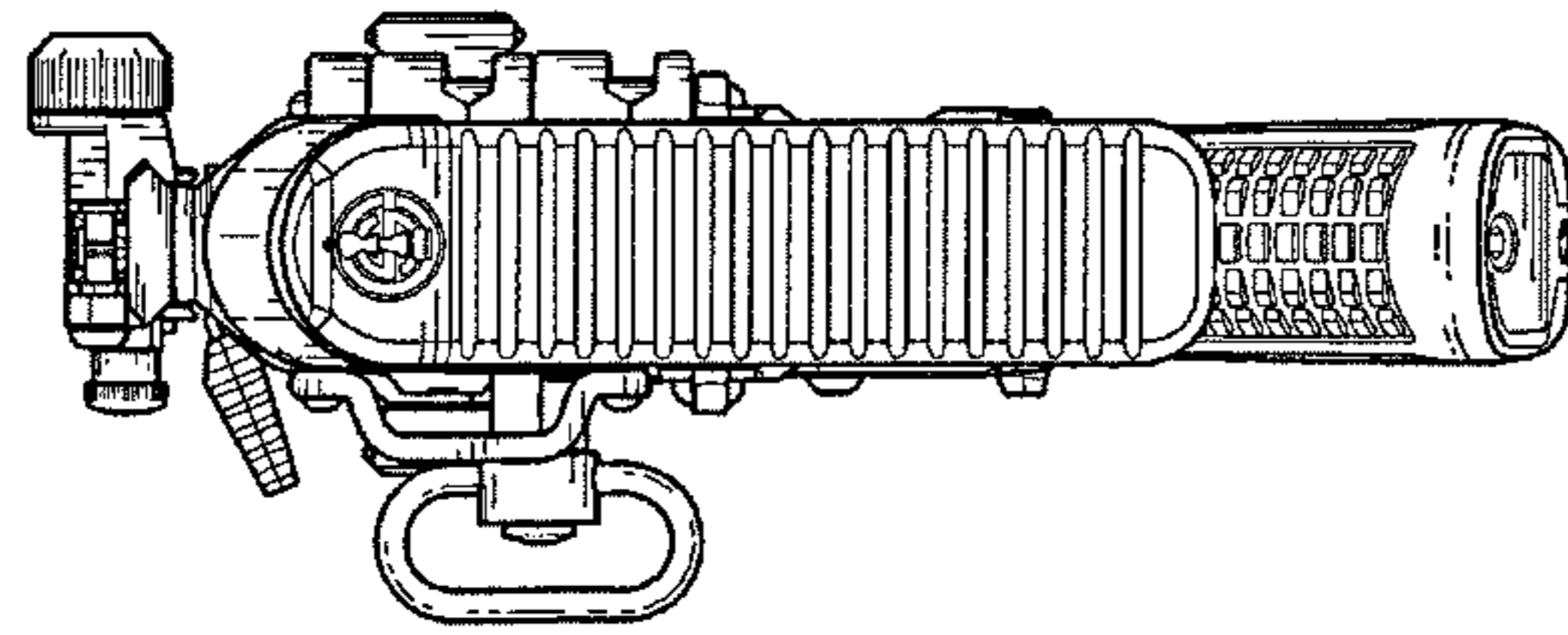


FIG.3

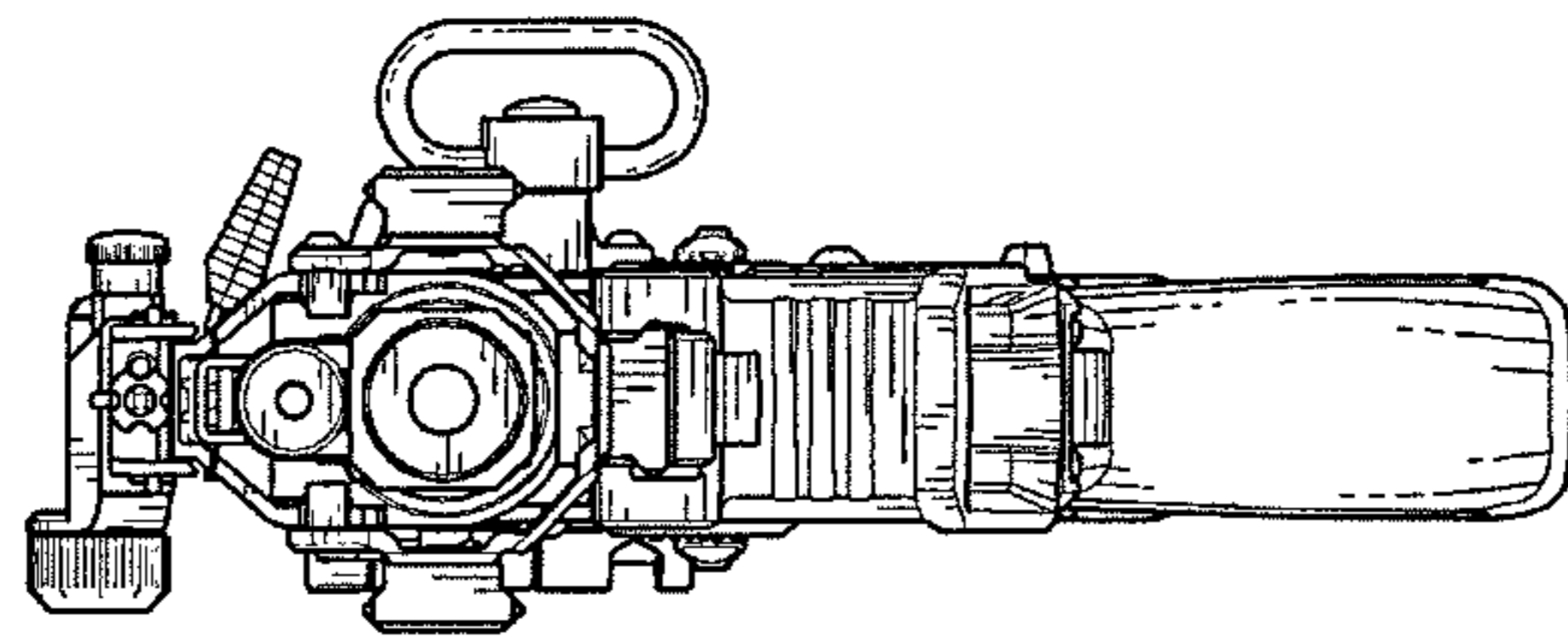


FIG.2

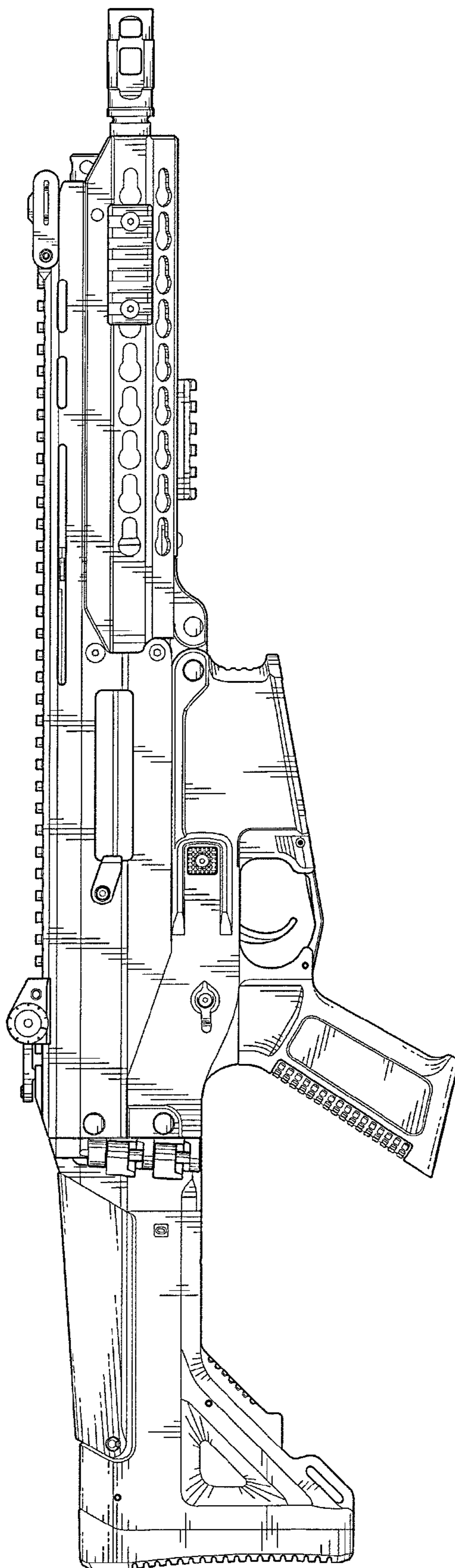


FIG.4

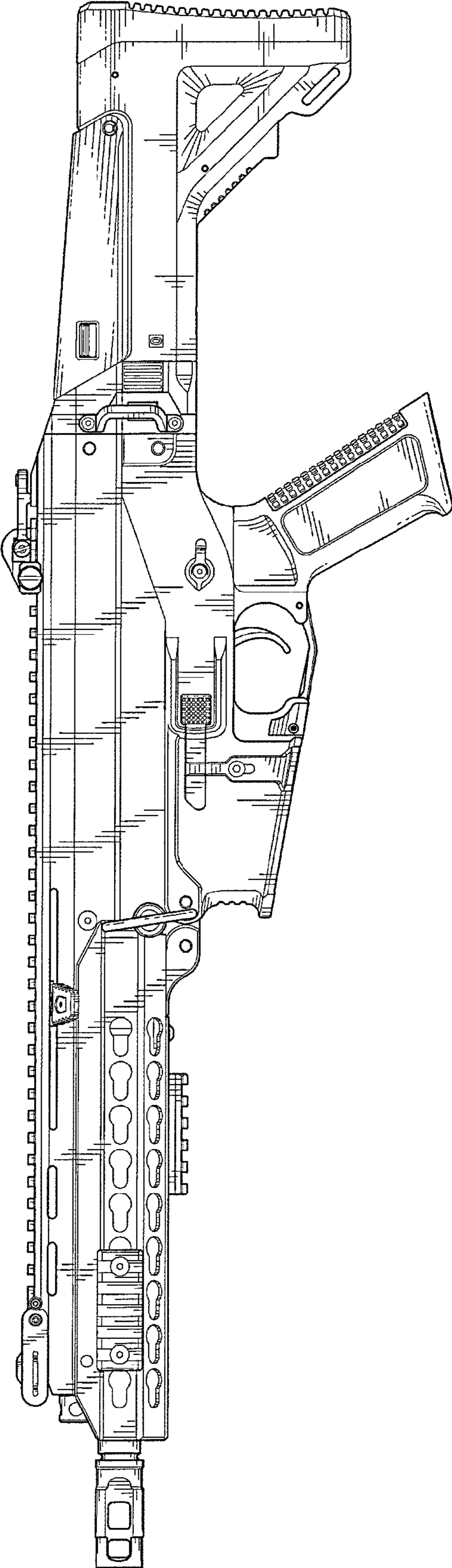


FIG.5

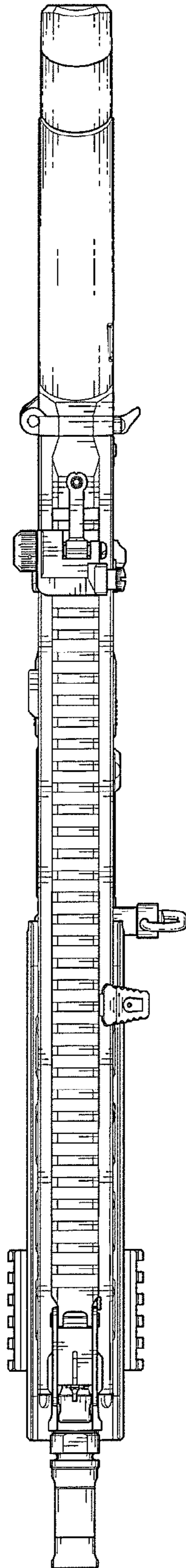


FIG.6

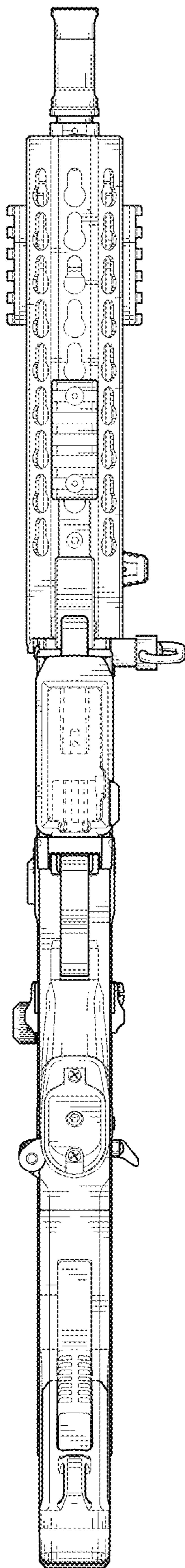


FIG. 7

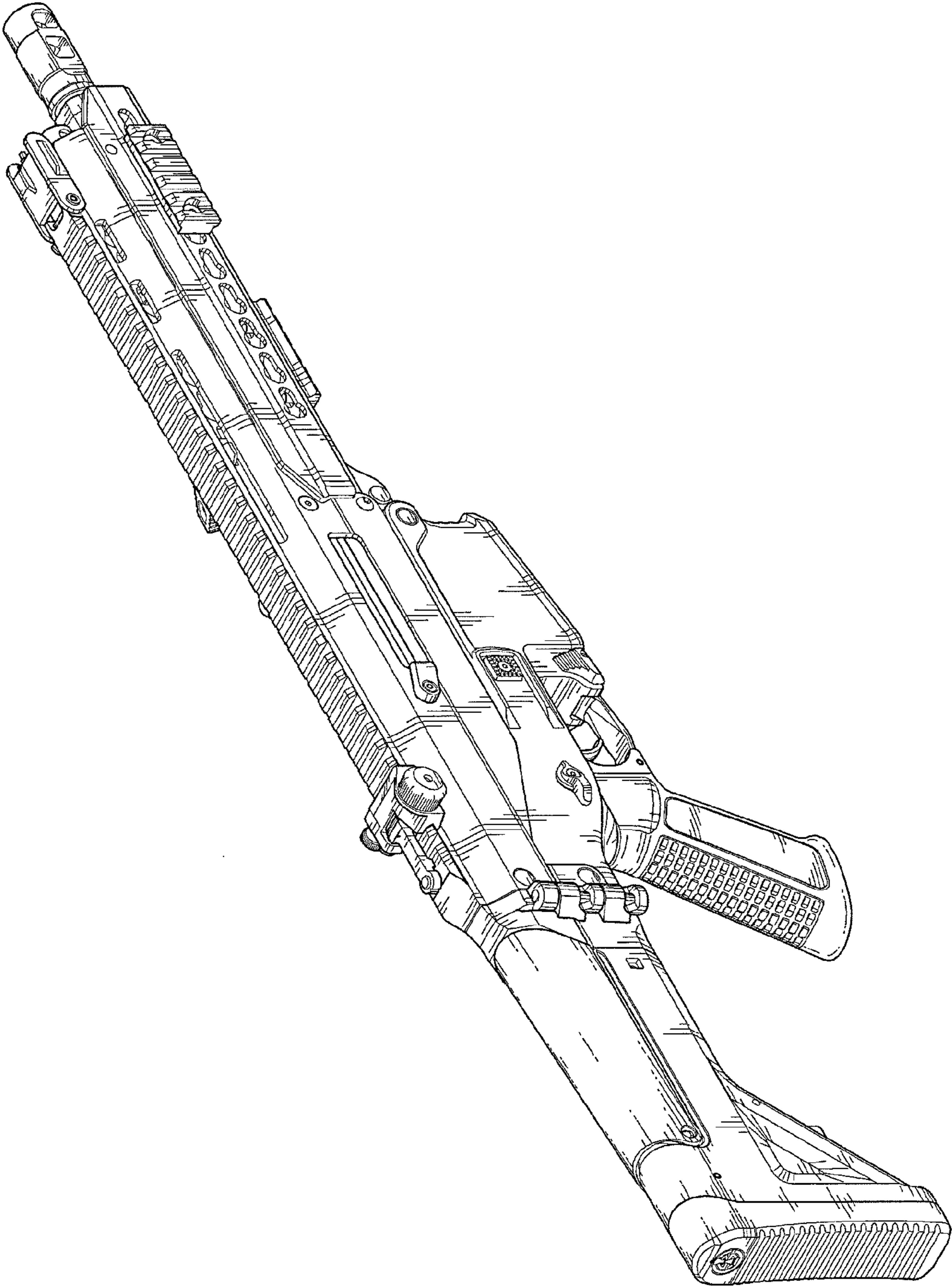


FIG.8

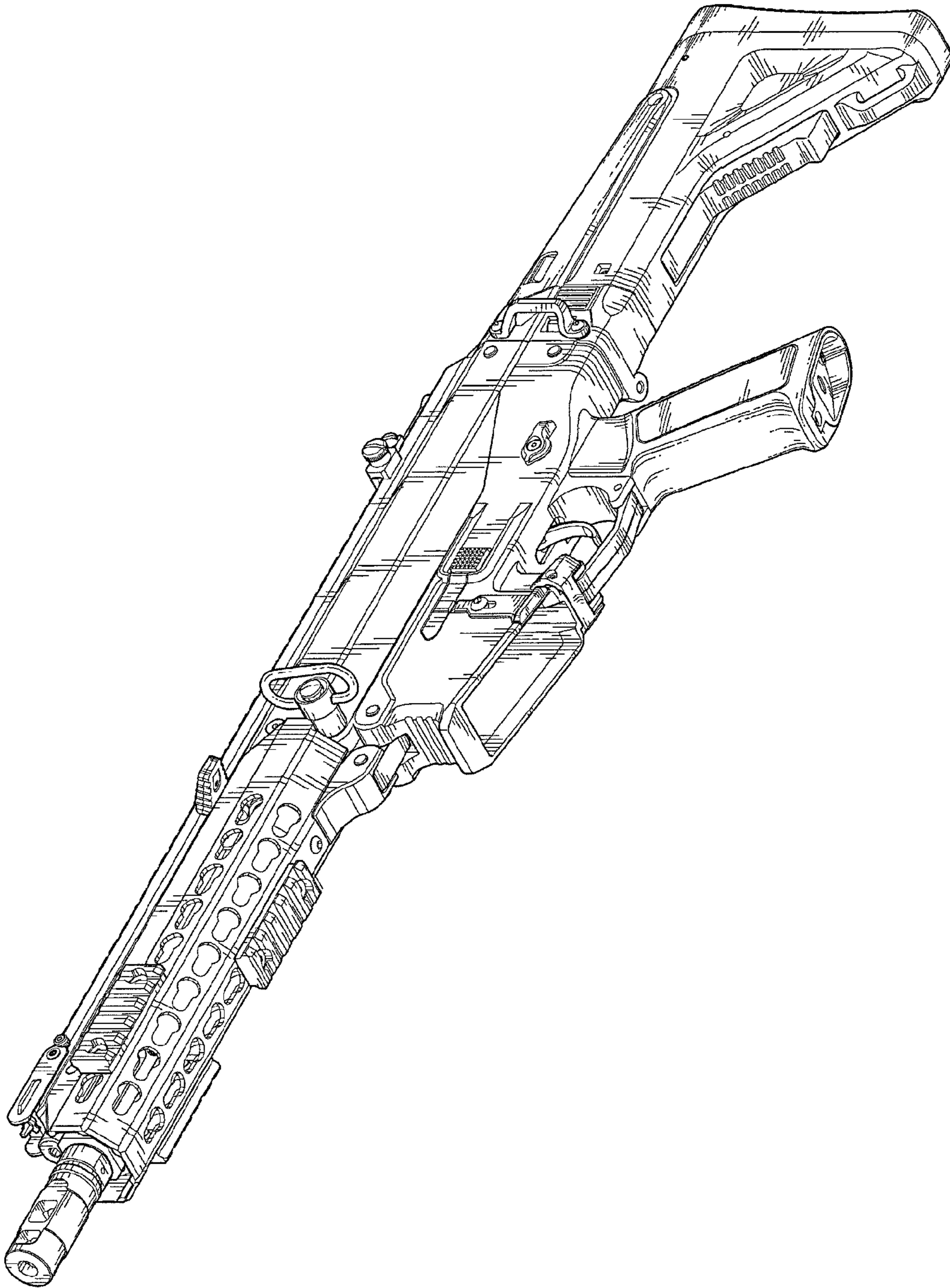


FIG.9