

US00D733217S

(12) **United States Design Patent**
Nishimura et al.

(10) **Patent No.:** **US D733,217 S**
(45) **Date of Patent:** **** Jun. 30, 2015**

(54) **PRINTER**

(56) **References Cited**

(71) Applicants: **Yuta Nishimura**, Ohta-ku (JP); **Mayu Takano**, Ohta-ku (JP); **Kazuyoshi Yamada**, Ohta-ku (JP)

U.S. PATENT DOCUMENTS

D523,071	S	*	6/2006	Katayama et al.	D18/50
D544,906	S	*	6/2007	Alfonso et al.	D18/55
D555,722	S	*	11/2007	Bae et al.	D18/55
D607,928	S	*	1/2010	Kim et al.	D18/55
D643,058	S	*	8/2011	Seki et al.	D18/55
D645,899	S	*	9/2011	Nagano et al.	D18/55
D697,965	S	*	1/2014	Fukasawa et al.	D18/55
D712,960	S	*	9/2014	Tsuruoka et al.	D18/55
2007/0014620	A1	*	1/2007	Sugimoto	400/691

(72) Inventors: **Yuta Nishimura**, Ohta-ku (JP); **Mayu Takano**, Ohta-ku (JP); **Kazuyoshi Yamada**, Ohta-ku (JP)

(73) Assignee: **RICOH COMPANY, LTD.**, Tokyo (JP)

* cited by examiner

(**) Term: **14 Years**

Primary Examiner — Cathy Anne MacCormac

(21) Appl. No.: **29/478,665**

(74) *Attorney, Agent, or Firm* — Oblon, McClelland, Maier & Neustadt, L.L.P.

(22) Filed: **Jan. 7, 2014**

(57) **CLAIM**

The ornamental design for a printer, as shown and described.

(30) **Foreign Application Priority Data**

DESCRIPTION

Jul. 23, 2013 (JP) 2013-016709

(51) **LOC (10) Cl.** **14-02**

(52) **U.S. Cl.**
USPC **D18/55**

(58) **Field of Classification Search**
USPC D18/50, 54.1, 54, 55; D14/420–426,
D14/462–470; 400/613, 613.1–613.4,
400/690.1–690.4, 691–694

FIG. 1 is a front elevational view of a printer;
FIG. 2 is a rear elevational view thereof;
FIG. 3 is a left side elevational view thereof;
FIG. 4 is a right side elevational view thereof;
FIG. 5 is a top plan view thereof;
FIG. 6 is a bottom plan view thereof; and,
FIG. 7 is a front, top, and right side perspective view thereof.
The broken lines in the drawings depict environmental subject matter, are for illustration only and form no part of the claimed design.

See application file for complete search history.

1 Claim, 4 Drawing Sheets

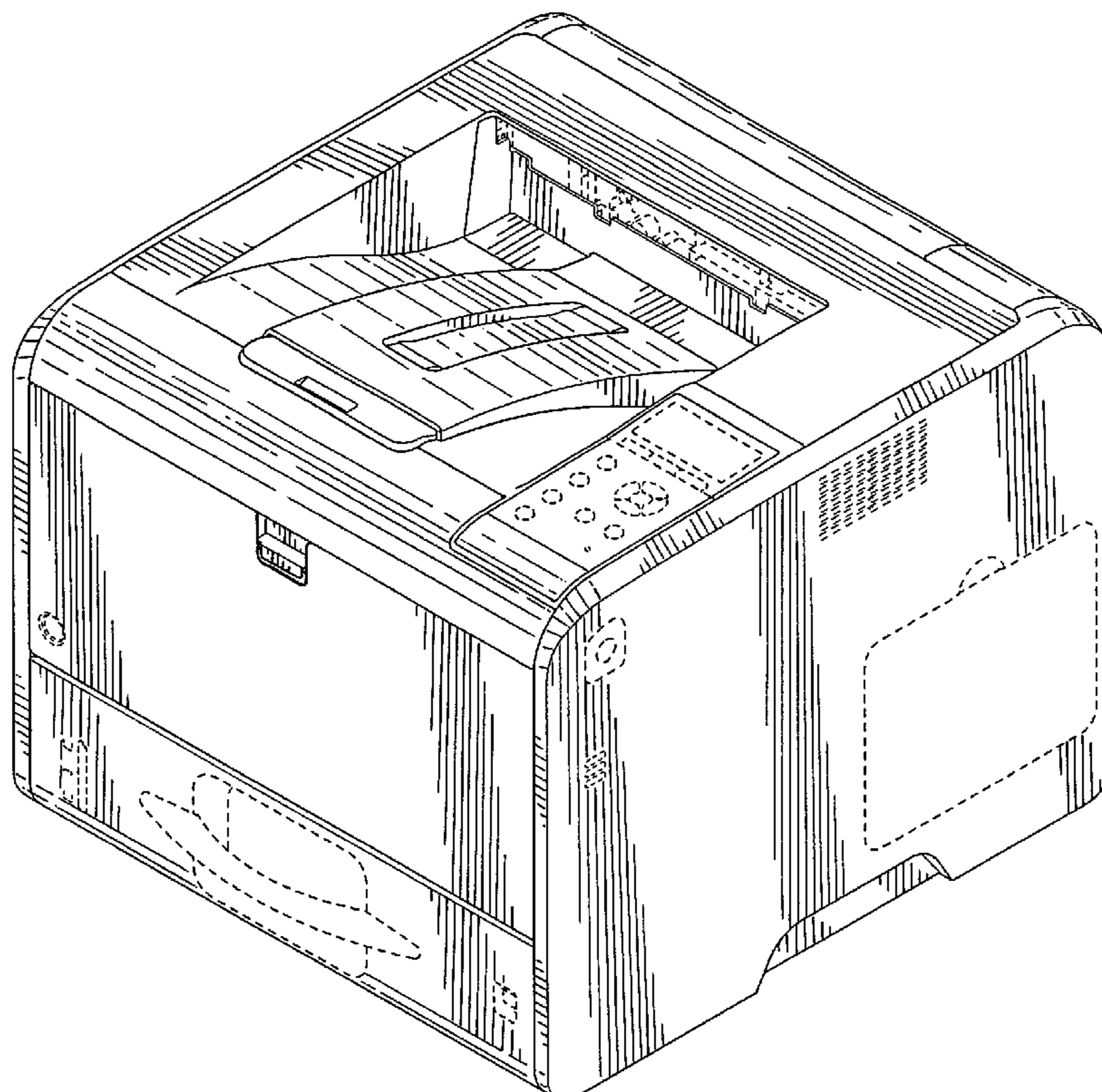


FIG.1

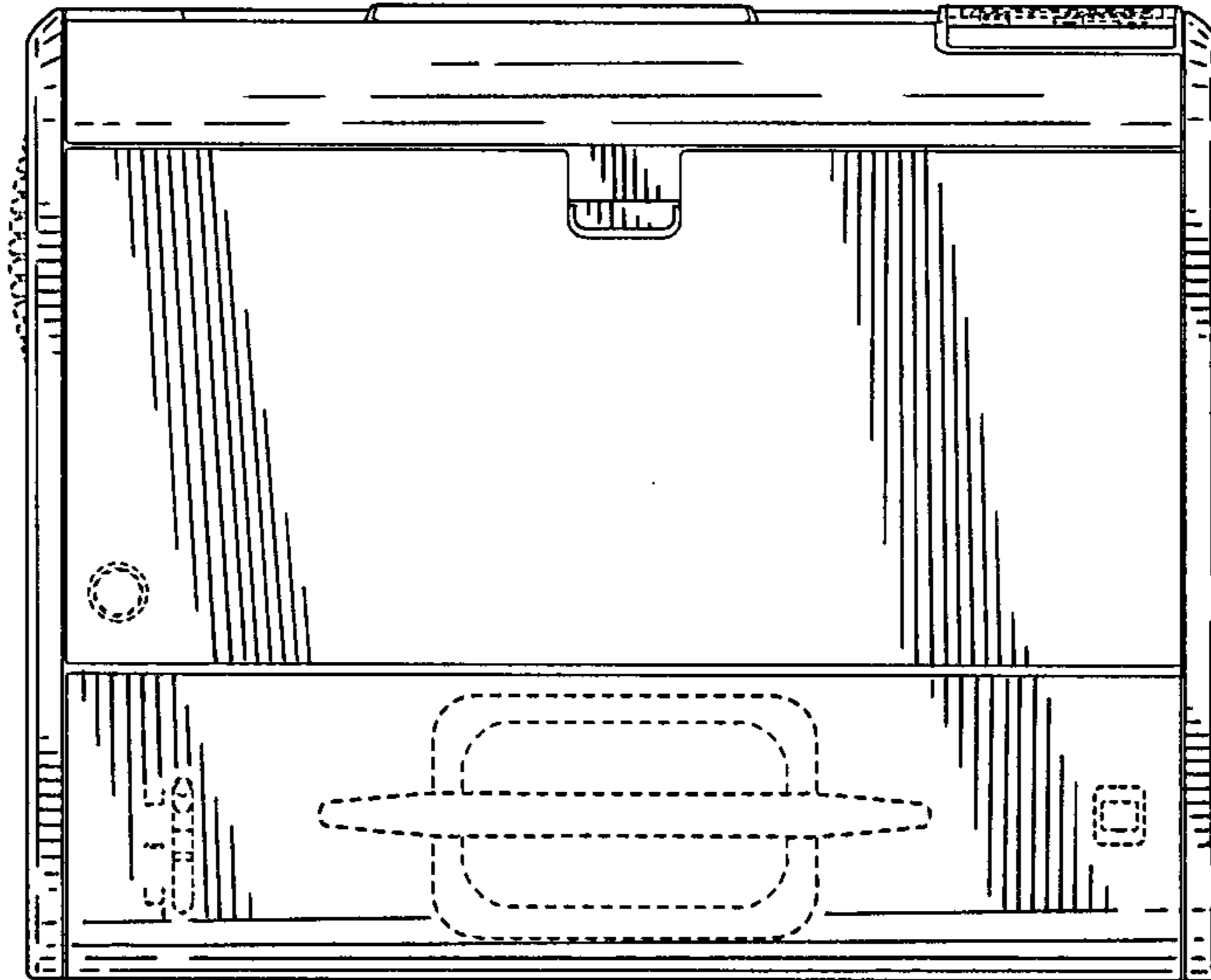


FIG.2

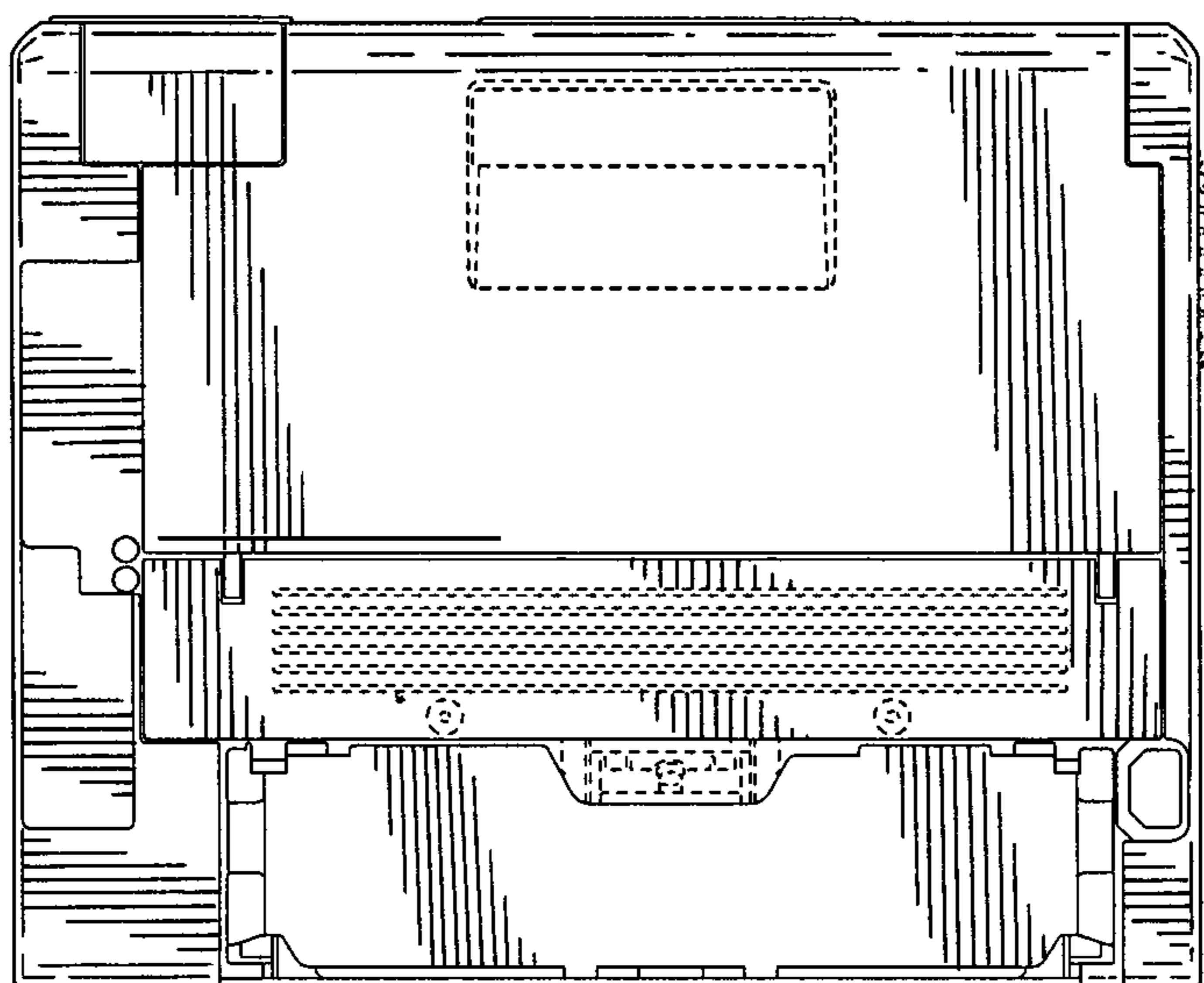


FIG.3

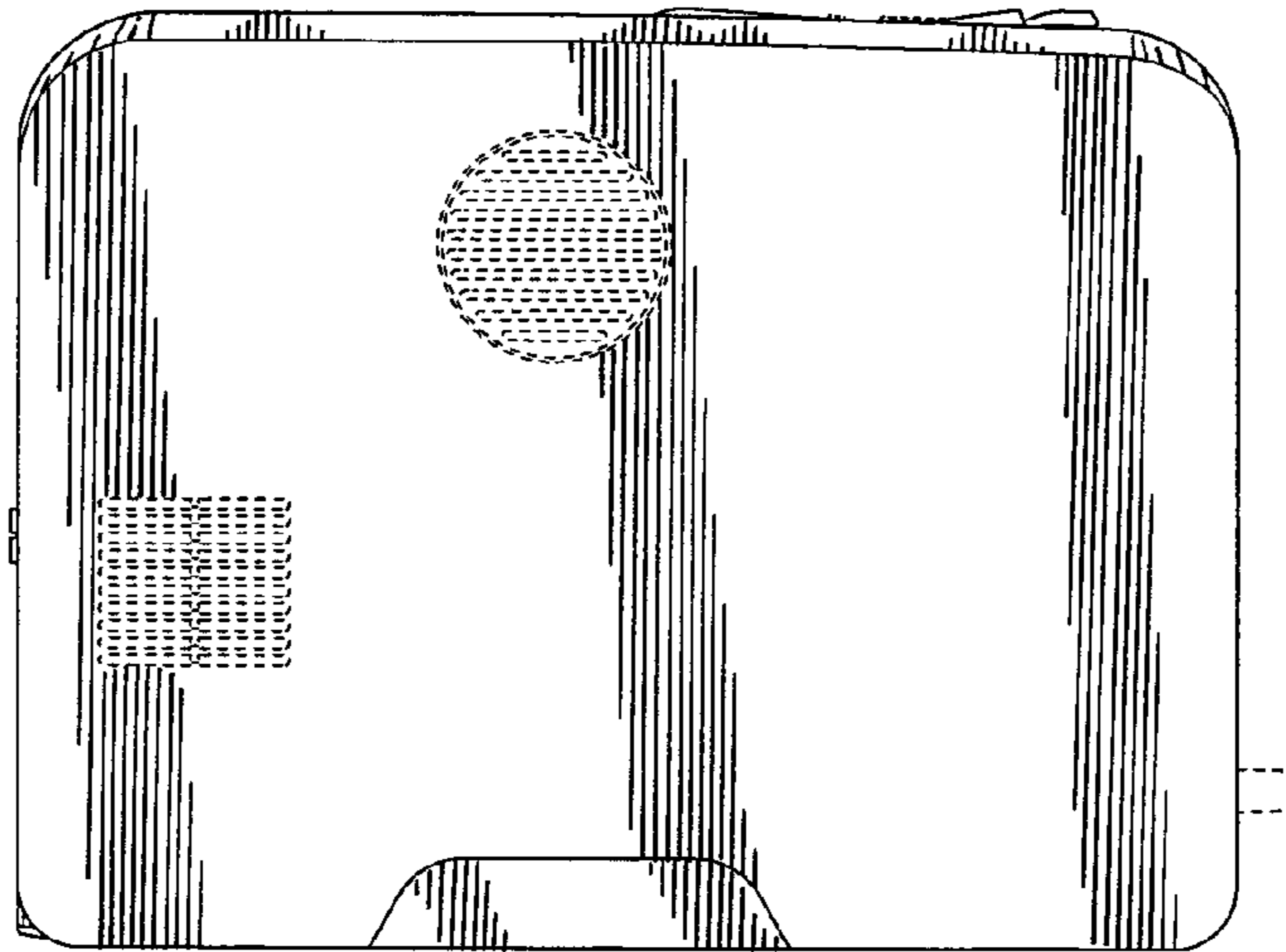


FIG.4

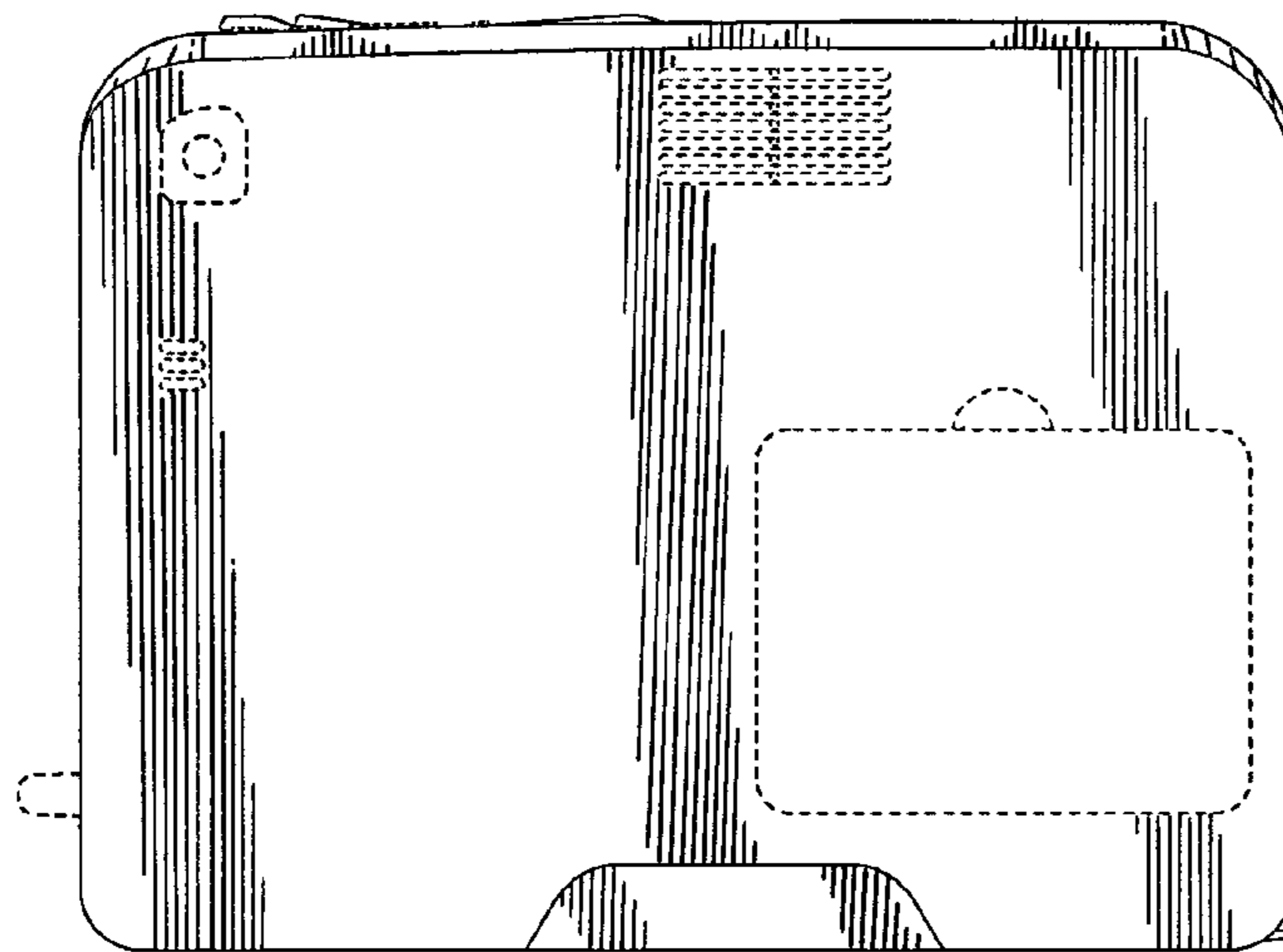


FIG.5

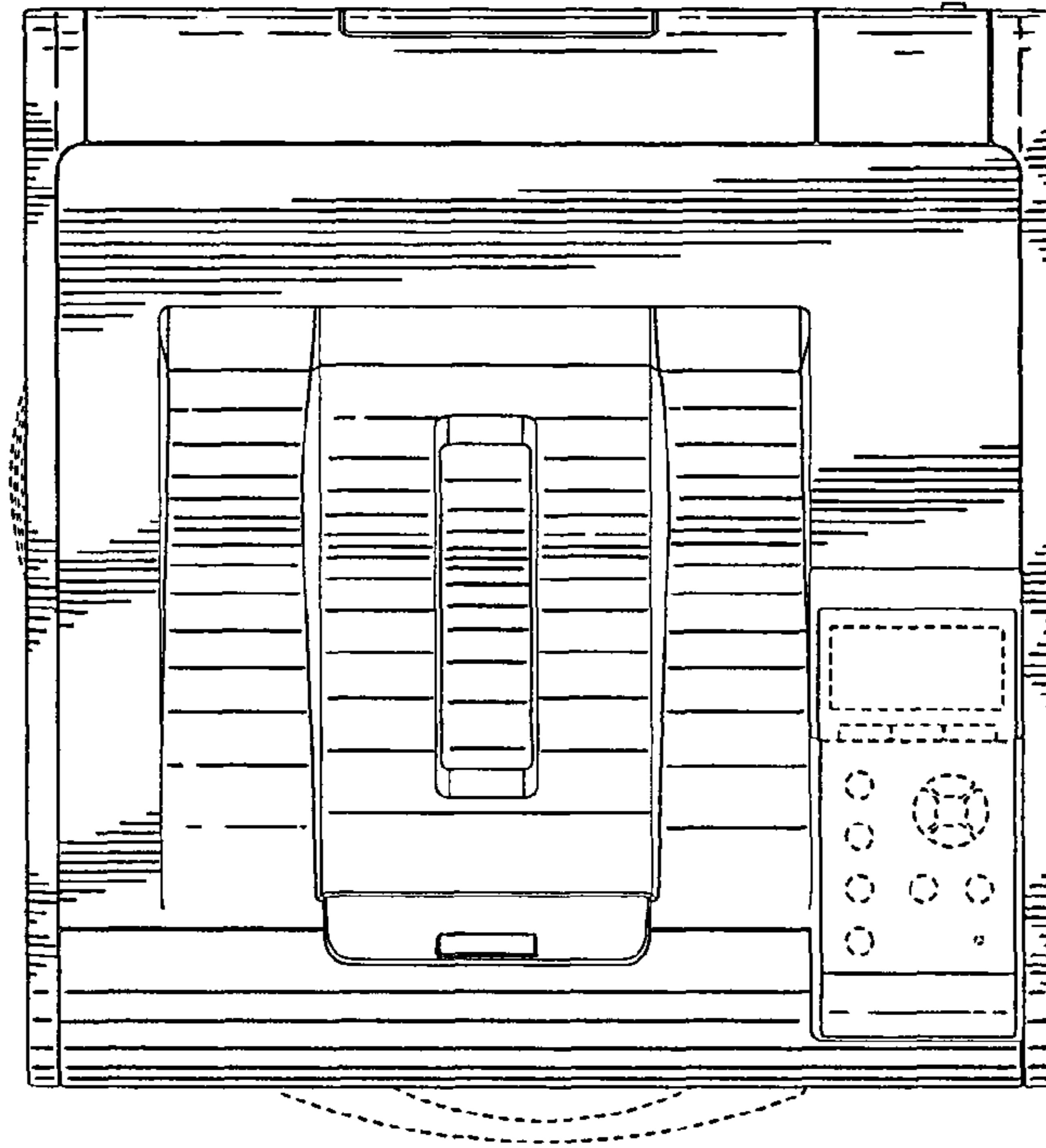
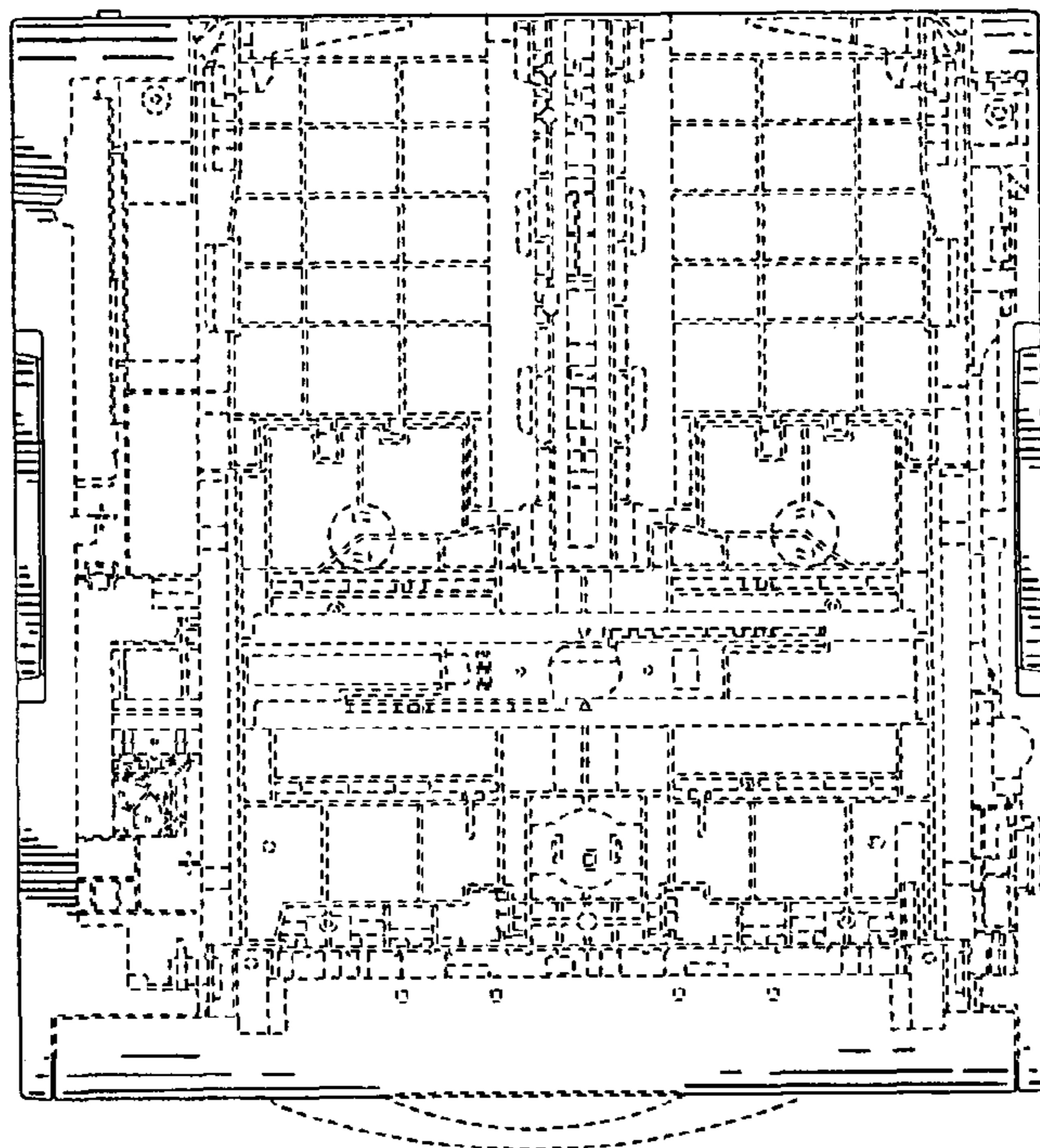


FIG.6



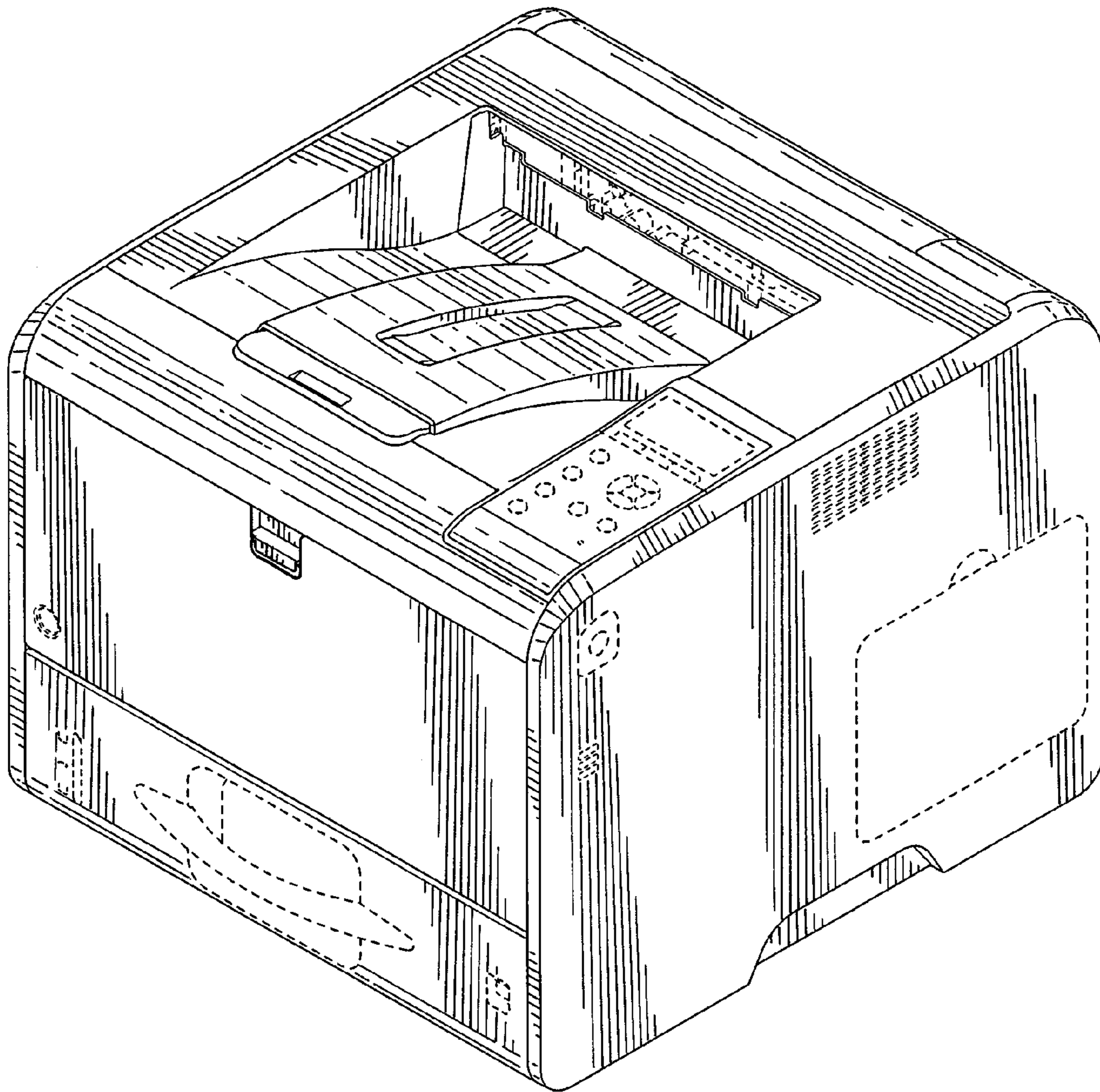


FIG. 7