



US00D733216S

(12) **United States Design Patent**
Kuramochi

(10) **Patent No.:** **US D733,216 S**
(45) **Date of Patent:** **** Jun. 30, 2015**

(54) **PRINTER**

(71) Applicants: **Casio Keisanki Kabushiki Kaisha**,
Tokyo (JP); **Casio Denshikougyou**
Kabushiki kaisha, Iruma-shi, Saitama
(JP)

(72) Inventor: **Naoki Kuramochi**, Tokyo (JP)

(73) Assignees: **Casio Keisanki Kabushiki Kaisha**,
Tokyo (JP); **Casio Denshikougyou**
Kabushiki Kaisha, Iruma-shi (JP)

(**) Term: **14 Years**

(21) Appl. No.: **29/464,246**

(22) Filed: **Aug. 14, 2013**

(30) **Foreign Application Priority Data**

Apr. 26, 2013 (JP) 2013-009649

(51) **LOC (10) Cl.** **14-02**

(52) **U.S. Cl.**
USPC **D18/50**

(58) **Field of Classification Search**
USPC D18/36-37, 50, 54, 54.1, 55;
D14/420-425, 462-470; 400/613,
400/613.1-613.4, 690.1-690.4, 691-694
CPC B41J 3/36; B41J 9/26; B41J 15/00;
B41J 29/02; B41J 29/13; B41J 35/36; B65H
35/06; G03G 21/00; G03G 21/16; G03G
15/00; G06F 3/12; G06K 15/14

See application file for complete search history.

(56) **References Cited**

U.S. PATENT DOCUMENTS

D374,889 S *	10/1996	Barbera et al.	D18/54
D399,250 S *	10/1998	Kawai	D18/55
D407,741 S *	4/1999	Kusanagi	D18/55
D529,546 S *	10/2006	Kamiya et al.	D18/55
D634,361 S *	3/2011	Terenzio et al.	D18/55
D667,487 S *	9/2012	Falk et al.	D18/55
D674,009 S *	1/2013	Yoshida	D18/55
D678,941 S *	3/2013	Gilbert et al.	D18/55

* cited by examiner

Primary Examiner — Cathy A MacCormac

(74) *Attorney, Agent, or Firm* — Holtz, Holtz, Goodman & Chick PC

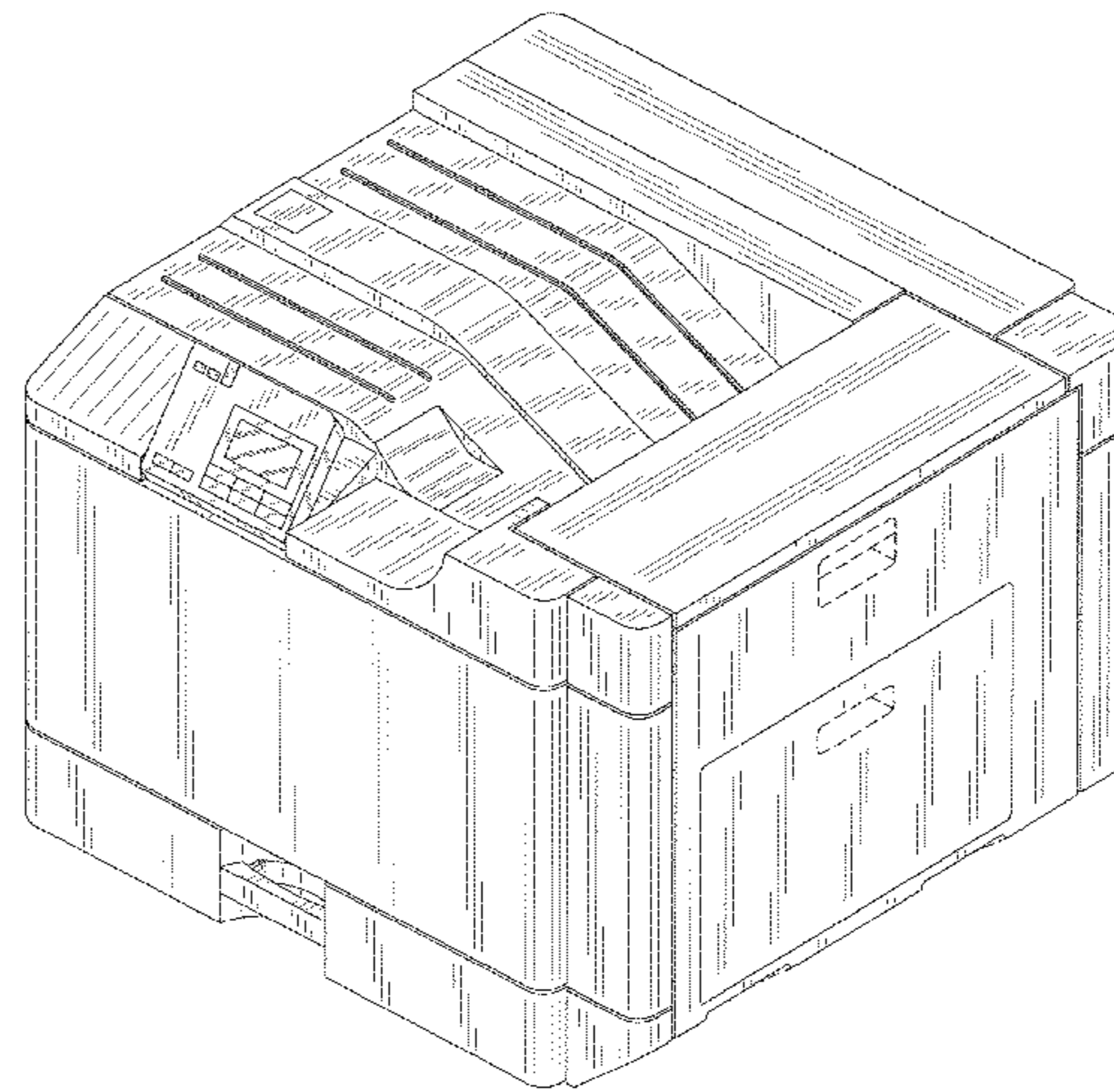
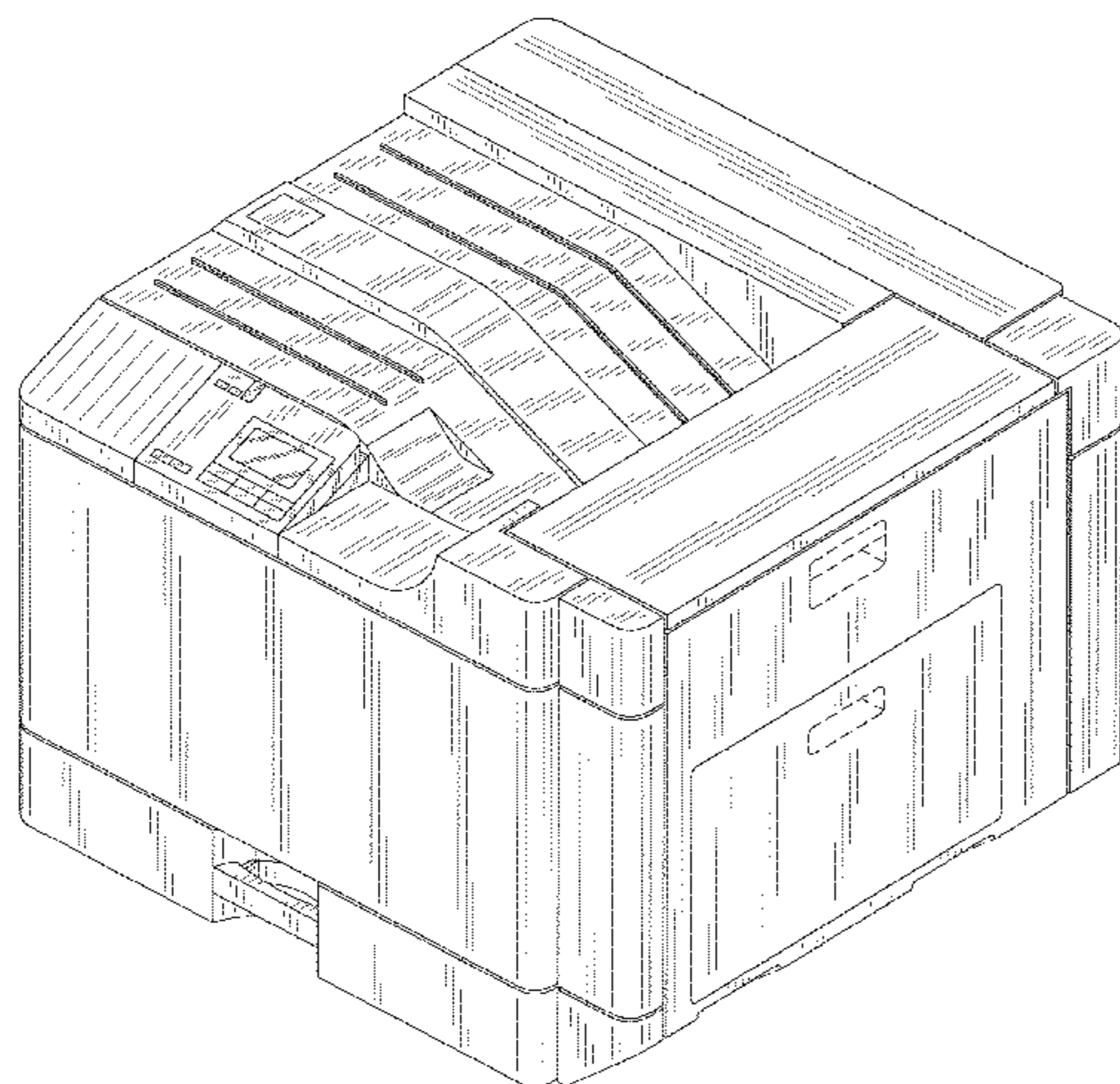
(57) **CLAIM**

The ornamental design for a printer, as shown and described.

DESCRIPTION

FIG. 1 is a front, right side, top perspective view of a printer showing my new design;
FIG. 2 is a front elevational view thereof;
FIG. 3 is a rear elevational view thereof;
FIG. 4 is a left side view thereof;
FIG. 5 is a right side view thereof;
FIG. 6 is a top plan view thereof;
FIG. 7 is a bottom plan view thereof; and,
FIG. 8 is another perspective view thereof, showing the display panel moved to an operating position.
The structural features depicted by broken lines have been shown for the purpose of illustrating portions of the printer that form no part of the claimed design.

1 Claim, 8 Drawing Sheets



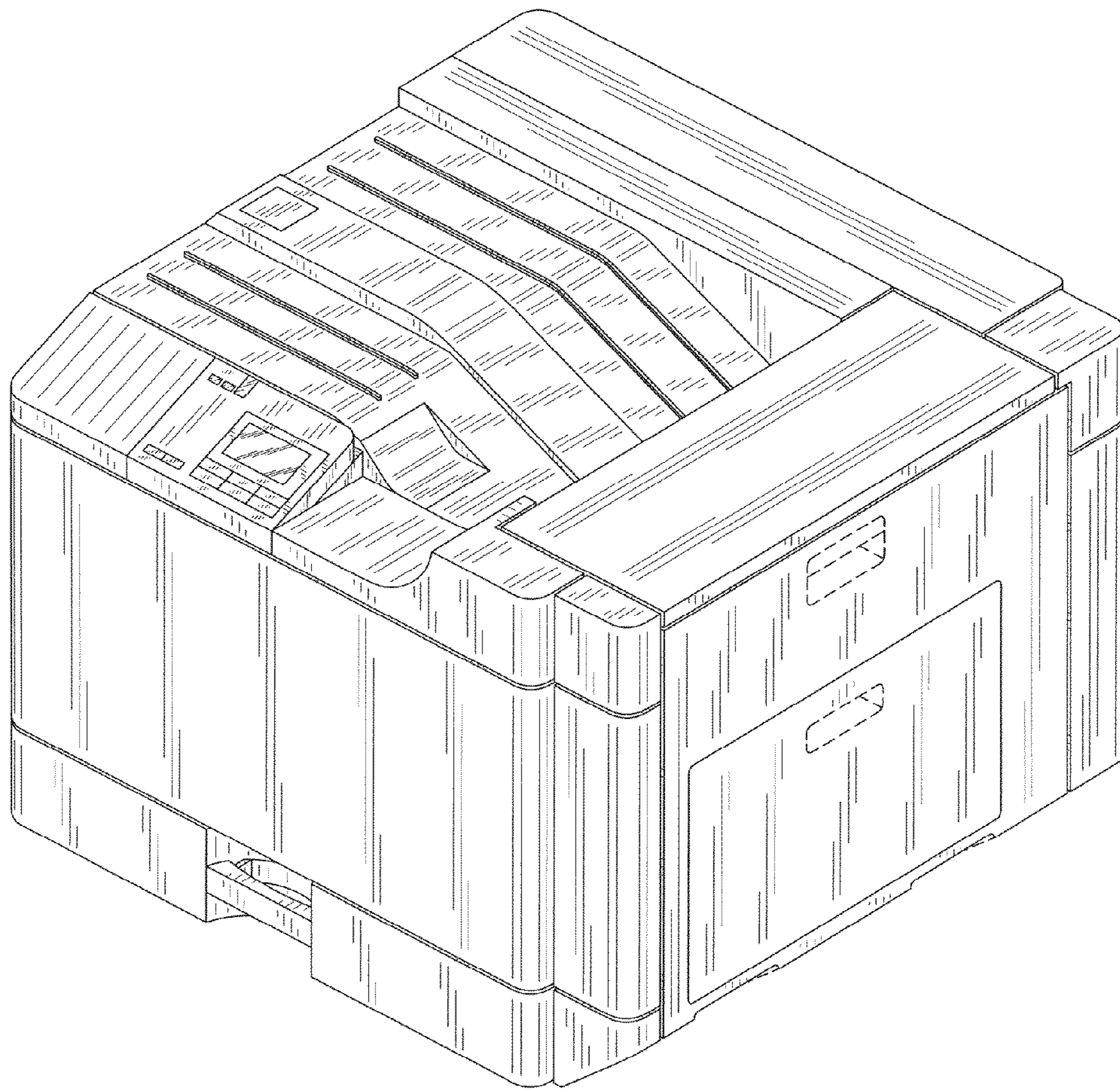


FIG. 1

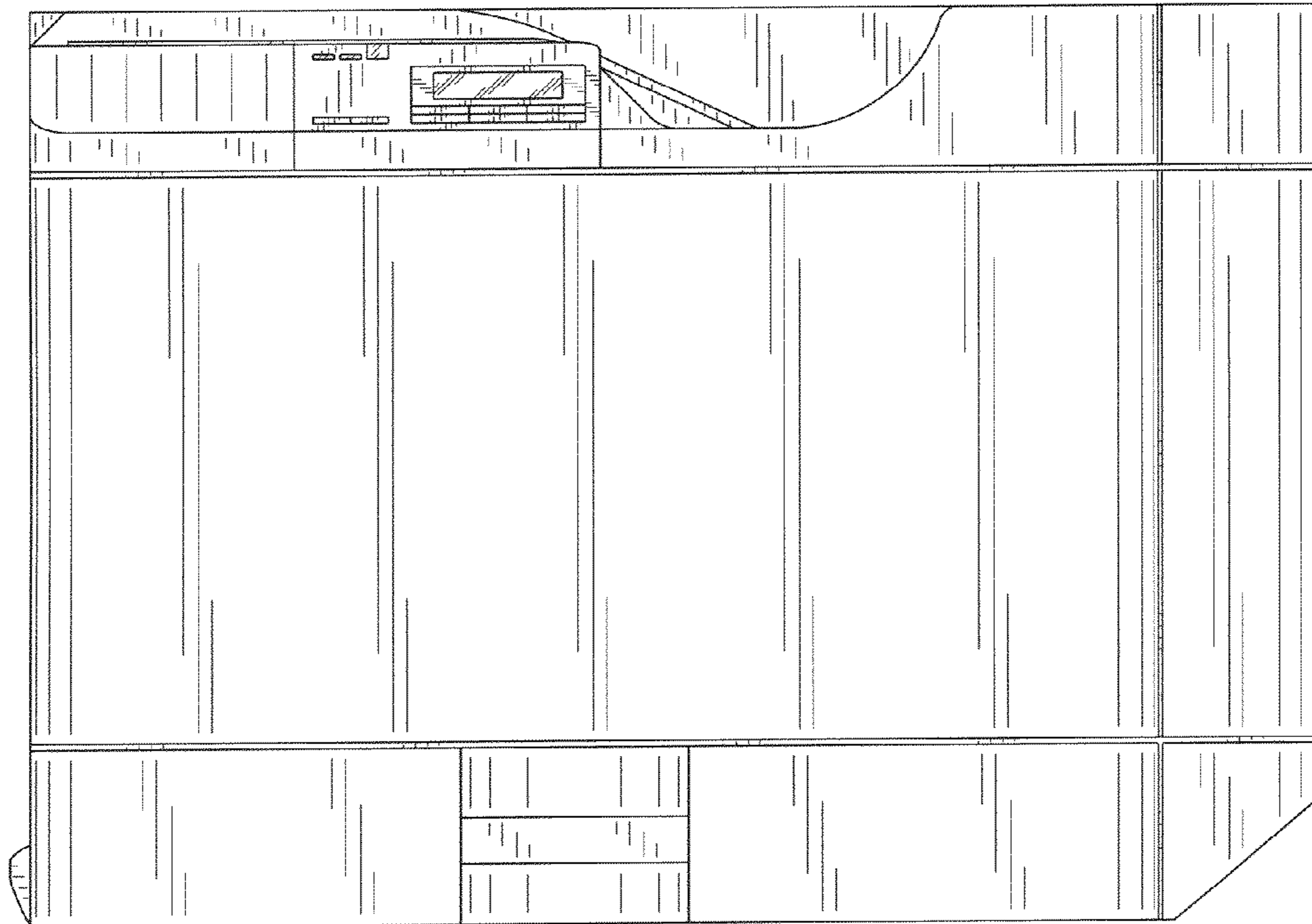


FIG. 2

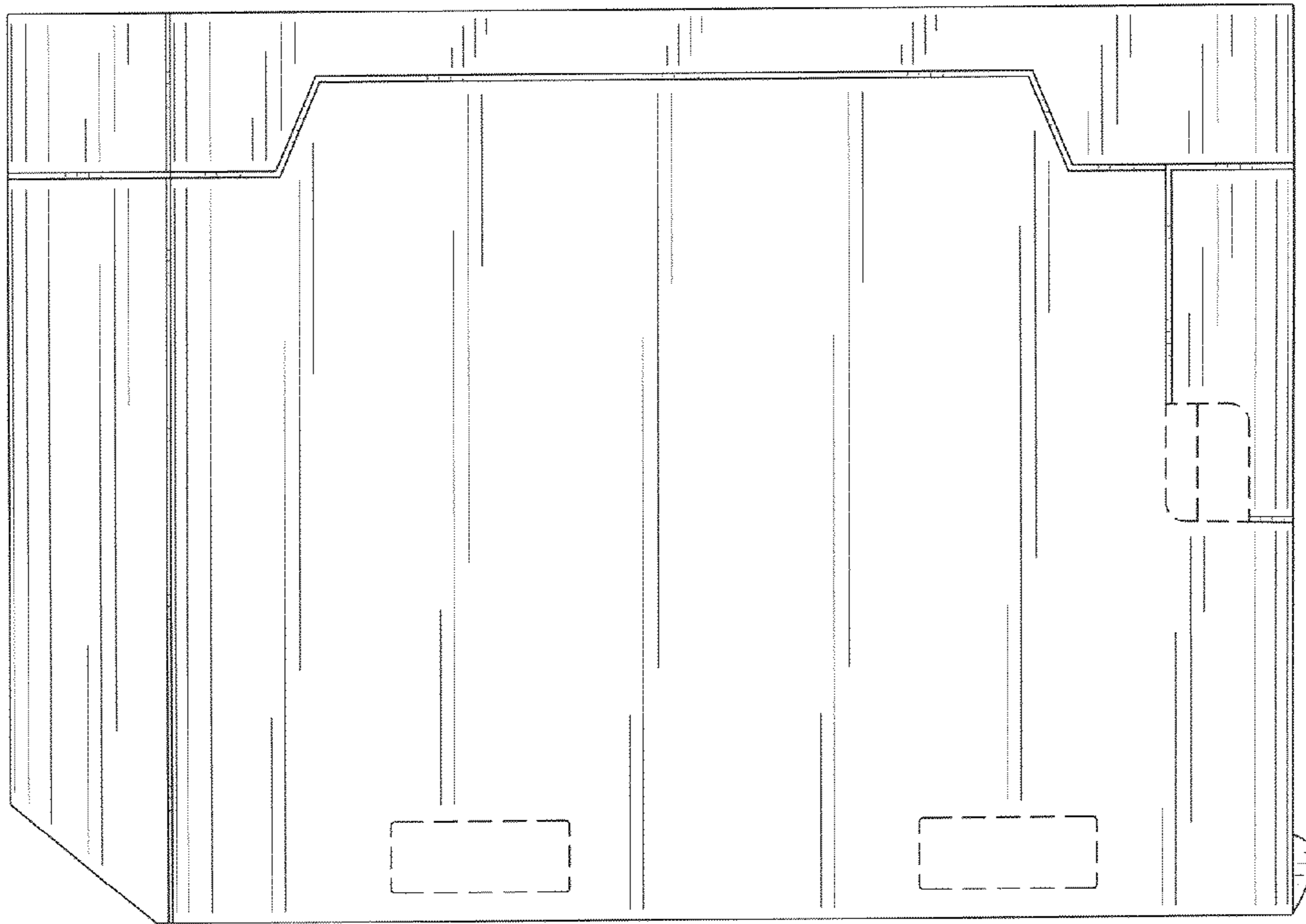


FIG. 3

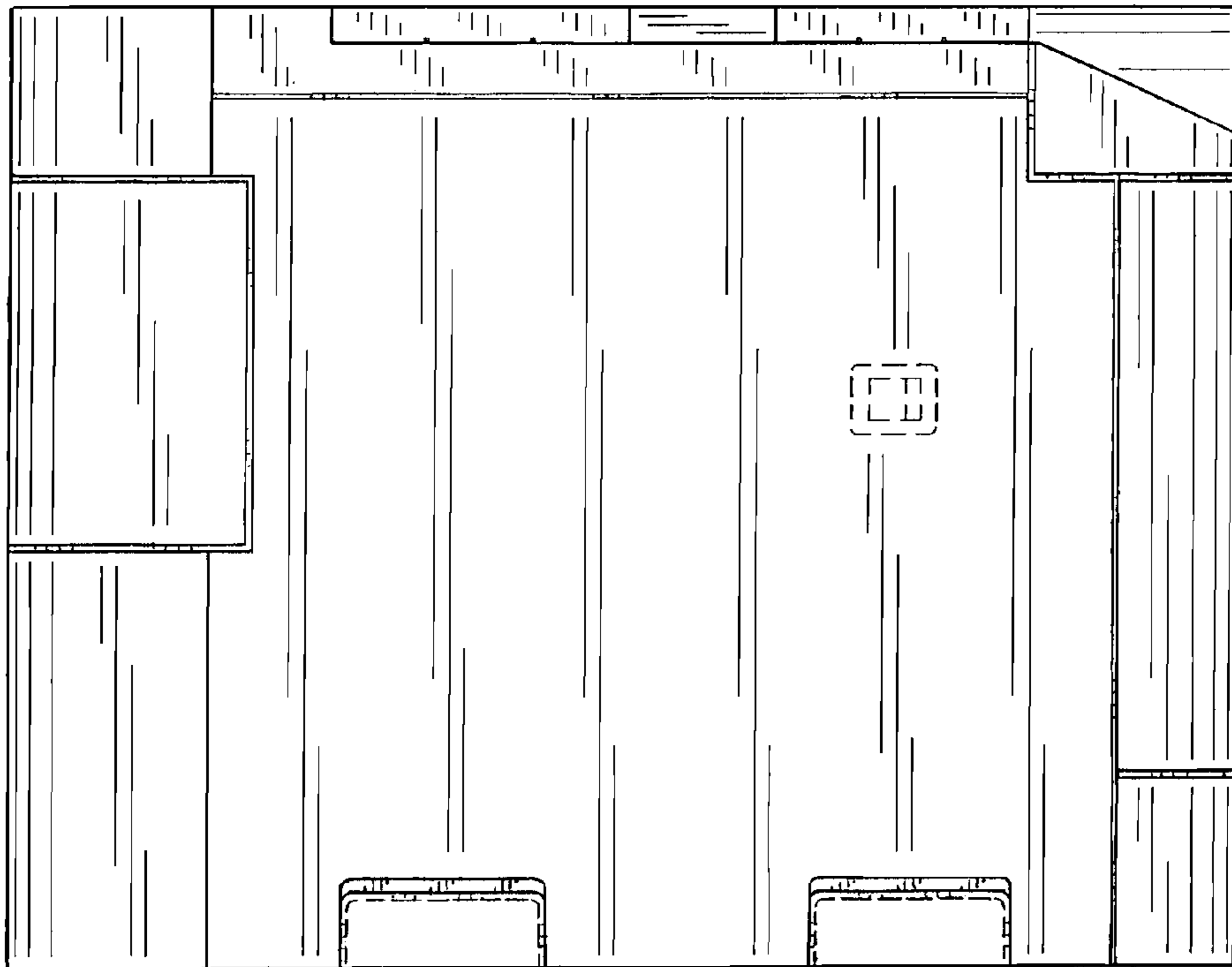


FIG. 4

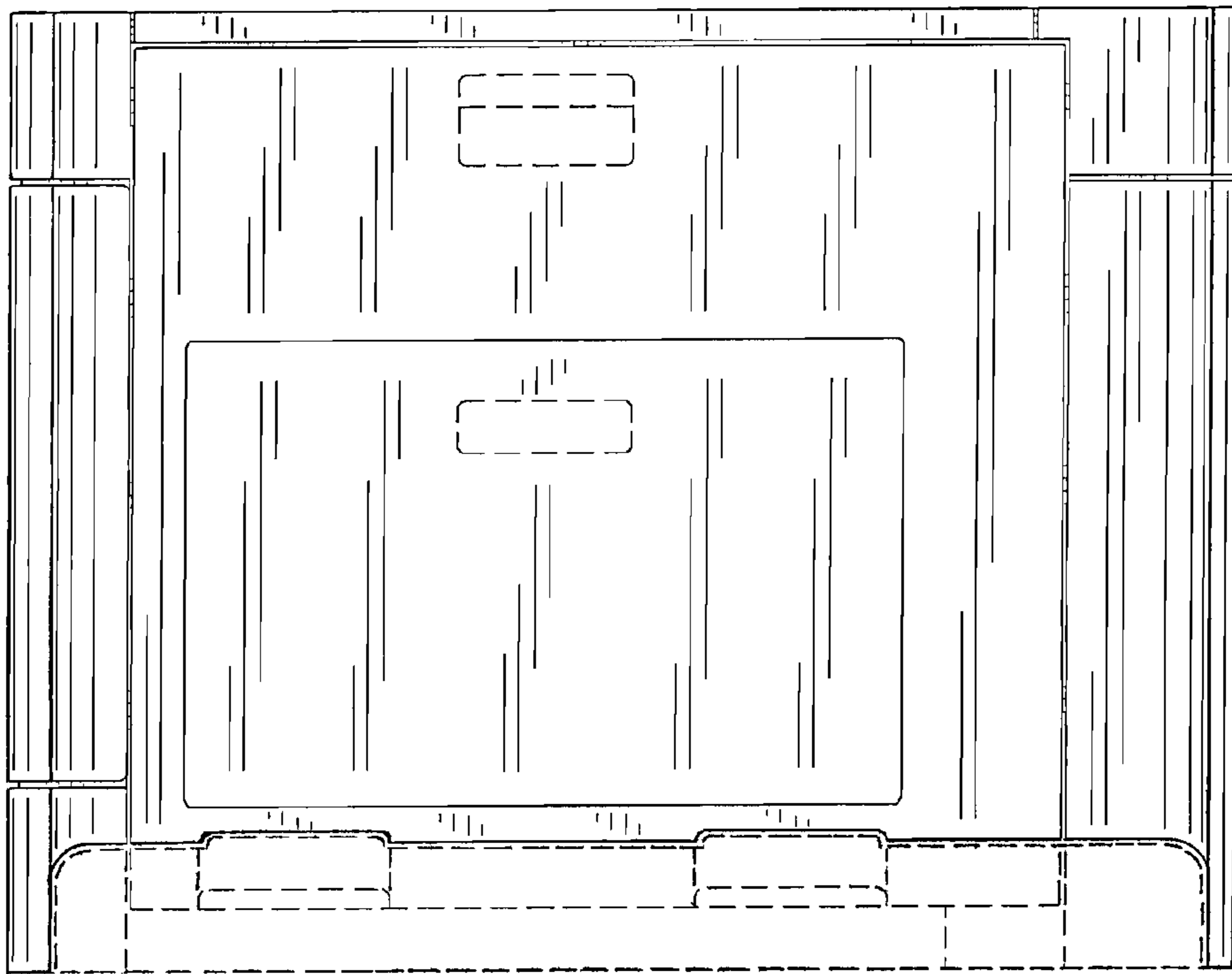


FIG. 5

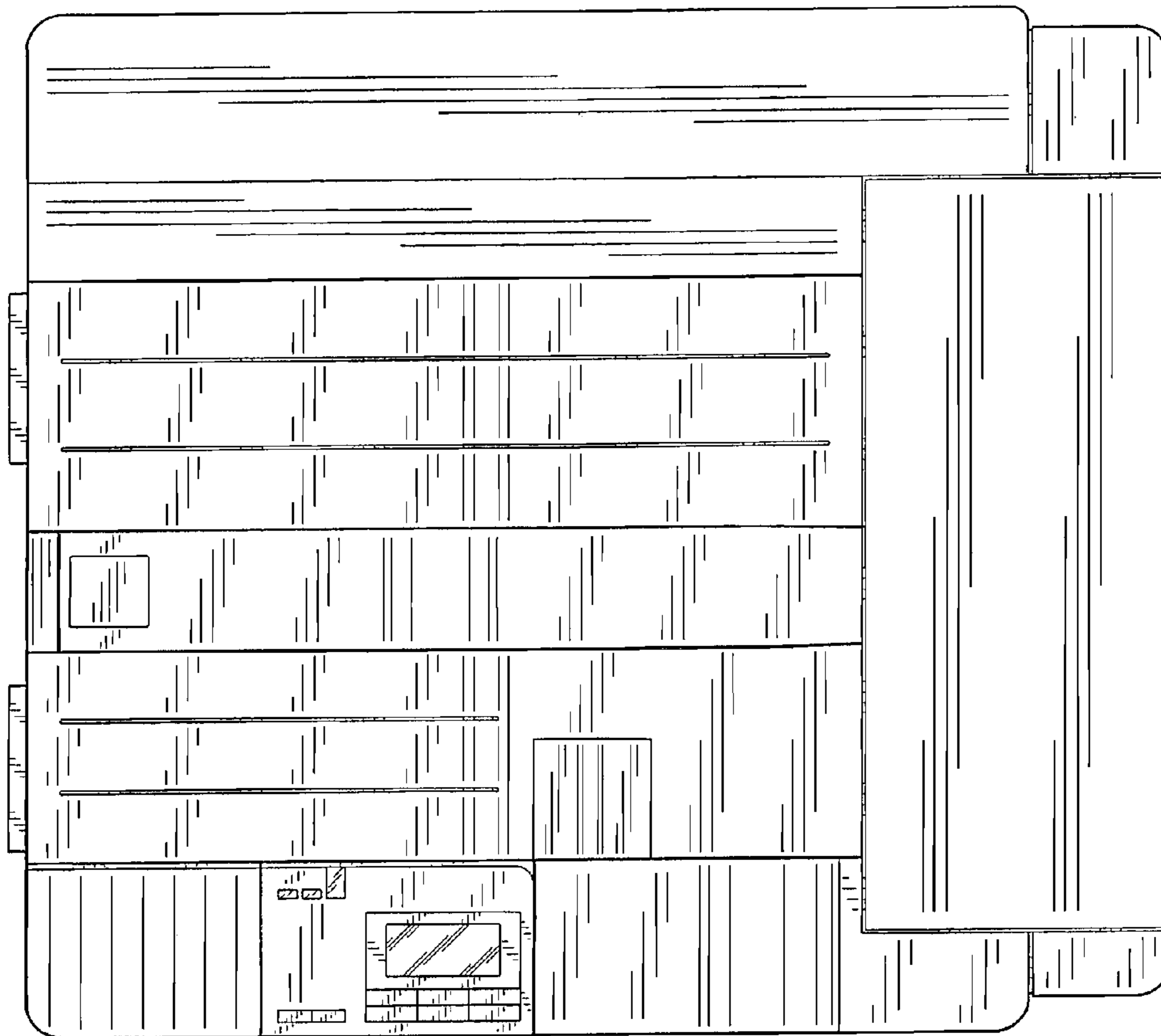


FIG. 6

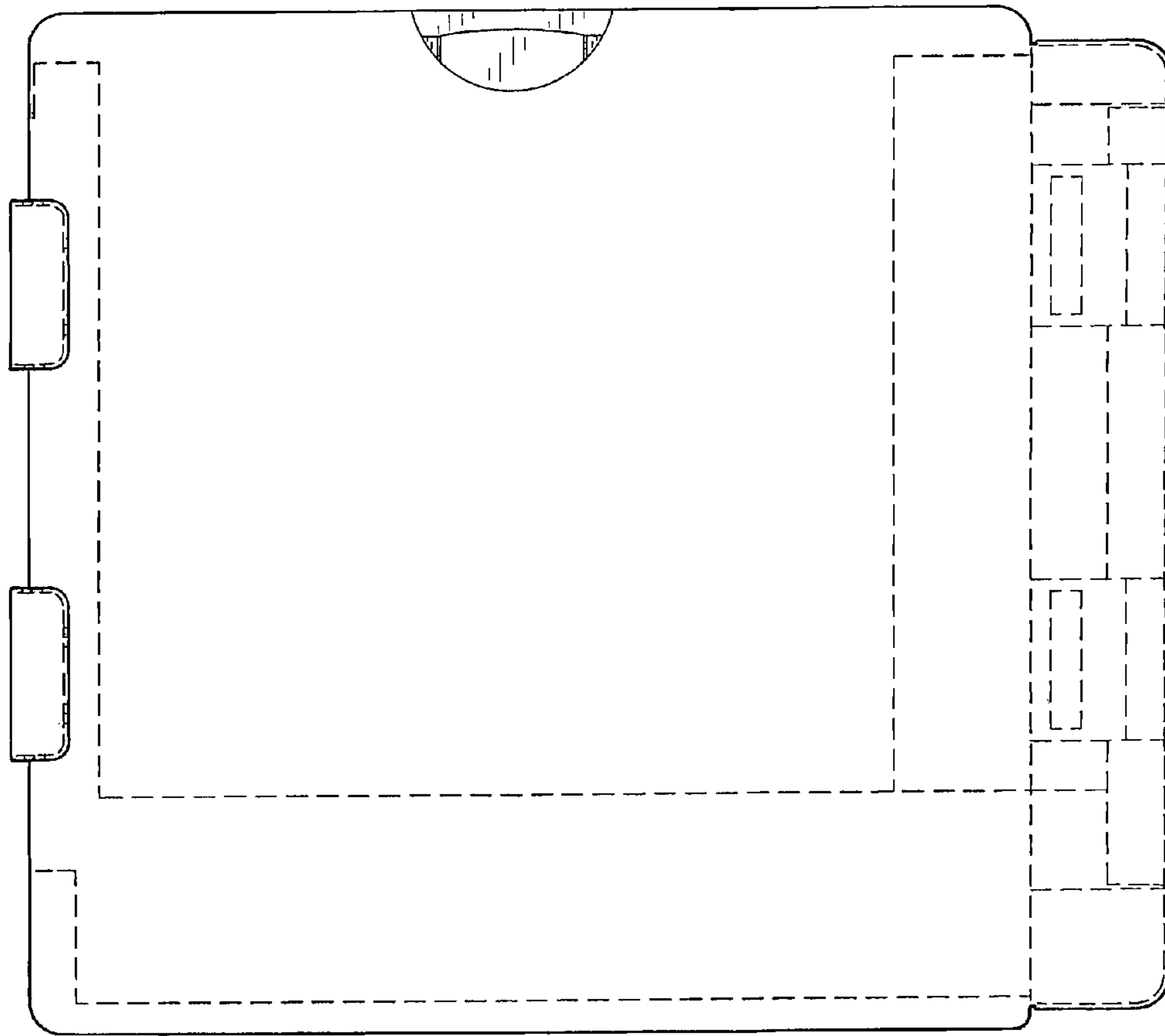


FIG. 7

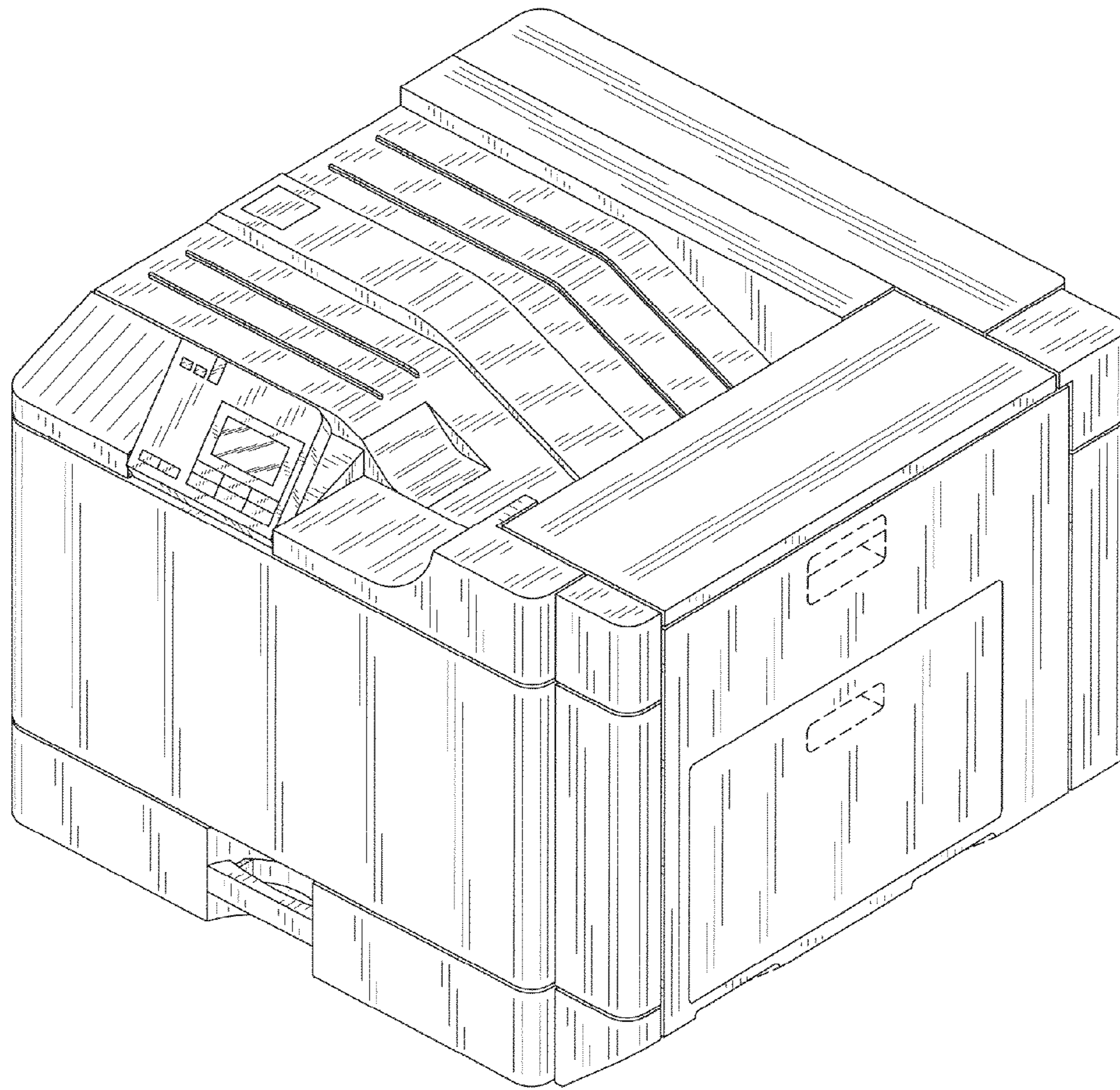


FIG. 8