



US00D733208S

(12) **United States Design Patent**
Tzarnotzky et al.

(10) **Patent No.:** **US D733,208 S**
(45) **Date of Patent:** **** Jun. 30, 2015**

- (54) **PANORAMIC VIDEO CAMERA**
- (71) Applicant: **ALTIA SYSTEMS INC.**, Cupertino, CA (US)
- (72) Inventors: **Uri Tzarnotzky**, Palo Alto, CA (US); **Atif Sarwari**, Saratoga, CA (US); **Lars Herlitz**, Atherton, CA (US); **Aurangzeb Khan**, Portola Valley, CA (US)
- (73) Assignee: **ALTIA SYSTEMS, INC.**, Cupertino, CA (US)
- (**) Term: **14 Years**
- (21) Appl. No.: **29/434,761**
- (22) Filed: **Oct. 16, 2012**
- (51) **LOC (10) Cl.** **16-01**
- (52) **U.S. Cl.**
USPC **D16/214; D16/207**
- (58) **Field of Classification Search**
USPC D16/200–208, 210, 218, 219, 242, 244, D16/245, 214; 348/373–376; 358/906; 396/419, 427, 428, 535, 539–541
CPC G03B 15/03; G03B 17/02; G03B 17/04; G03B 17/56; G03B 19/04; H04N 5/2251; H04N 5/2252; H04N 5/2253; H04N 5/2254; H04N 2101/00
See application file for complete search history.

D475,385 S *	6/2003	Christianson	D16/202
D493,479 S *	7/2004	Yoshikawa	D16/203
D496,676 S *	9/2004	Yoshikawa	D16/203
D505,439 S *	5/2005	Liiv	D16/208
D537,856 S *	3/2007	Tsao	D16/202
D550,738 S *	9/2007	Hsia et al.	D16/203
D569,887 S *	5/2008	Feng et al.	D16/202
D604,352 S *	11/2009	Carlesso	D16/245
D606,573 S *	12/2009	Testa et al.	D16/218
7,986,369 B1 *	7/2011	Burns	348/375
2005/0128347 A1 *	6/2005	Ryu et al.	348/375
2013/0215322 A1 *	8/2013	Haler	348/373

* cited by examiner

Primary Examiner — Adir Aronovich
Assistant Examiner — Ramzi Almatrahi

(74) *Attorney, Agent, or Firm* — HM Law Group LLP; Vani Moddley Esq.

(57) **CLAIM**

The ornamental design of a panoramic video camera, as shown and described.

DESCRIPTION

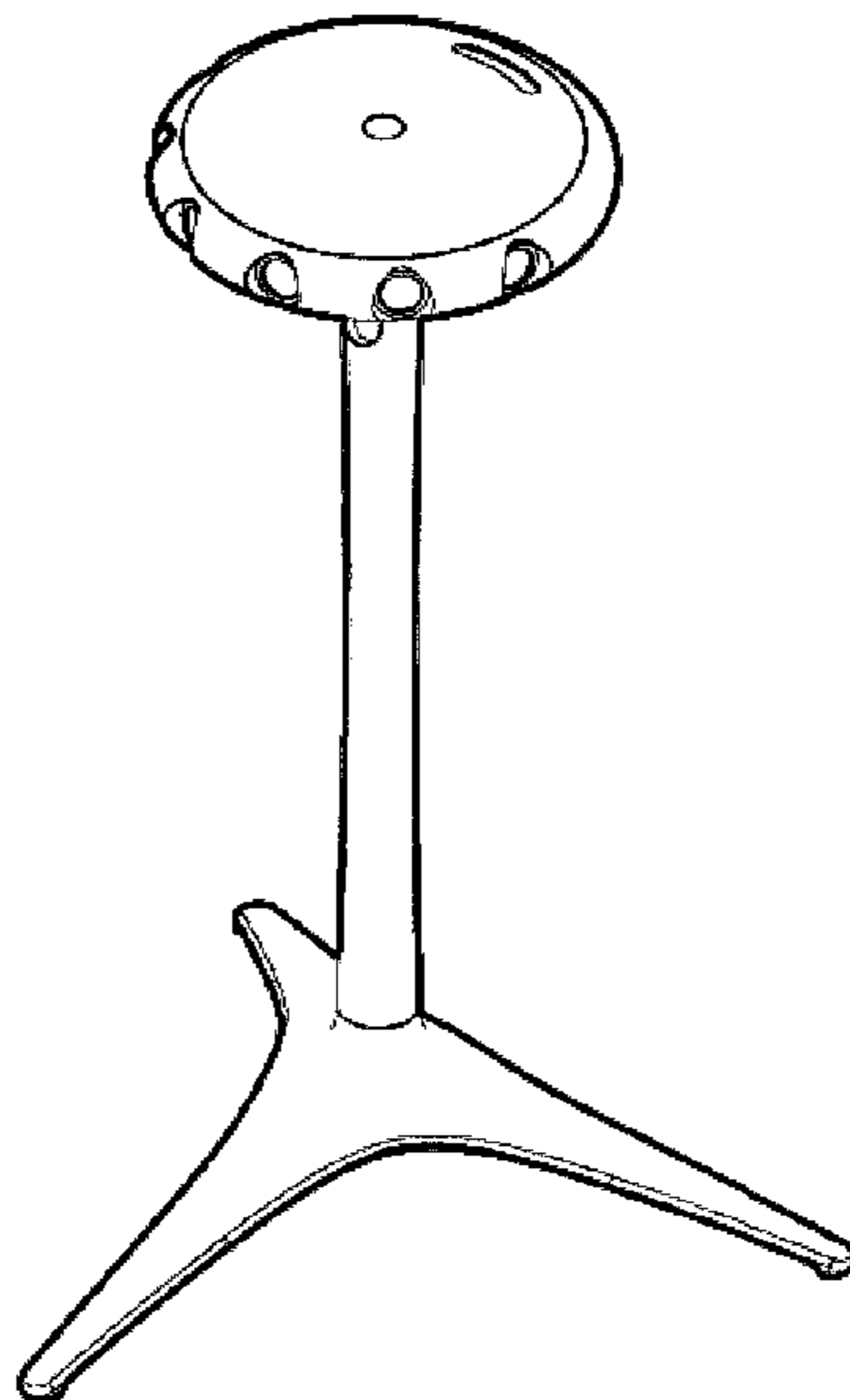
FIG. 1 is a top, front and right side perspective view of a panoramic video camera showing our new design; FIG. 2 is a front elevational view of the panoramic video camera; FIG. 3 is a right side elevational view of the panoramic video camera; FIG. 4 is a top plan view of the panoramic video camera; and, FIG. 5 is a bottom plan view of the panoramic video camera. The undisclosed left side elevational view is a mirror image of the right side elevational view shown in FIG. 3. Certain features are shown in broken lines in FIG. 5 for illustrative purposes only and form no part of the claimed design.

1 Claim, 5 Drawing Sheets

(56) **References Cited**

U.S. PATENT DOCUMENTS

D424,086 S *	5/2000	Choi	D16/203
6,091,453 A *	7/2000	Coan et al.	348/373
D445,123 S *	7/2001	Shen	D16/244
6,437,826 B1 *	8/2002	Arnold	348/373



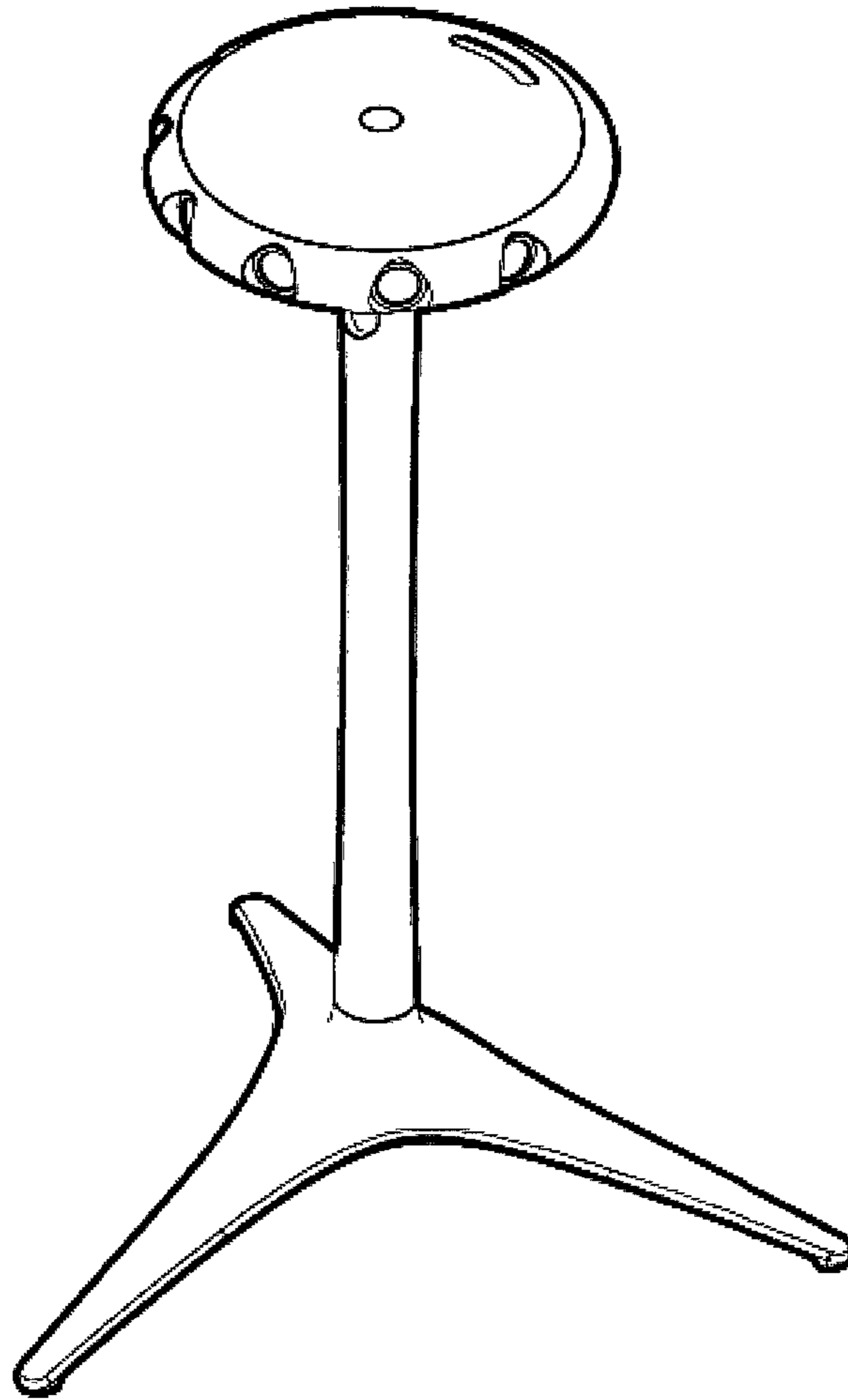


FIG. 1

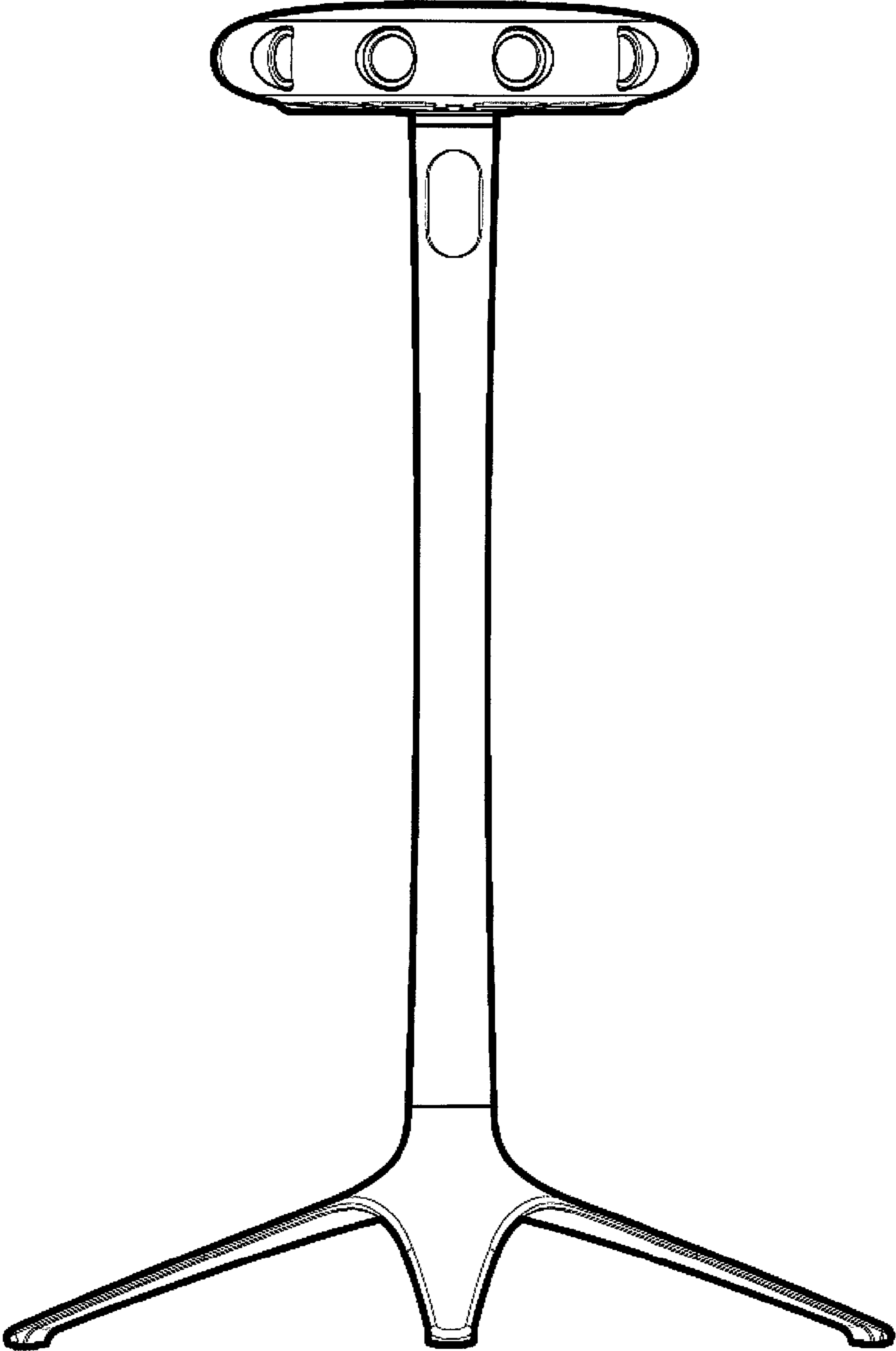


FIG. 2

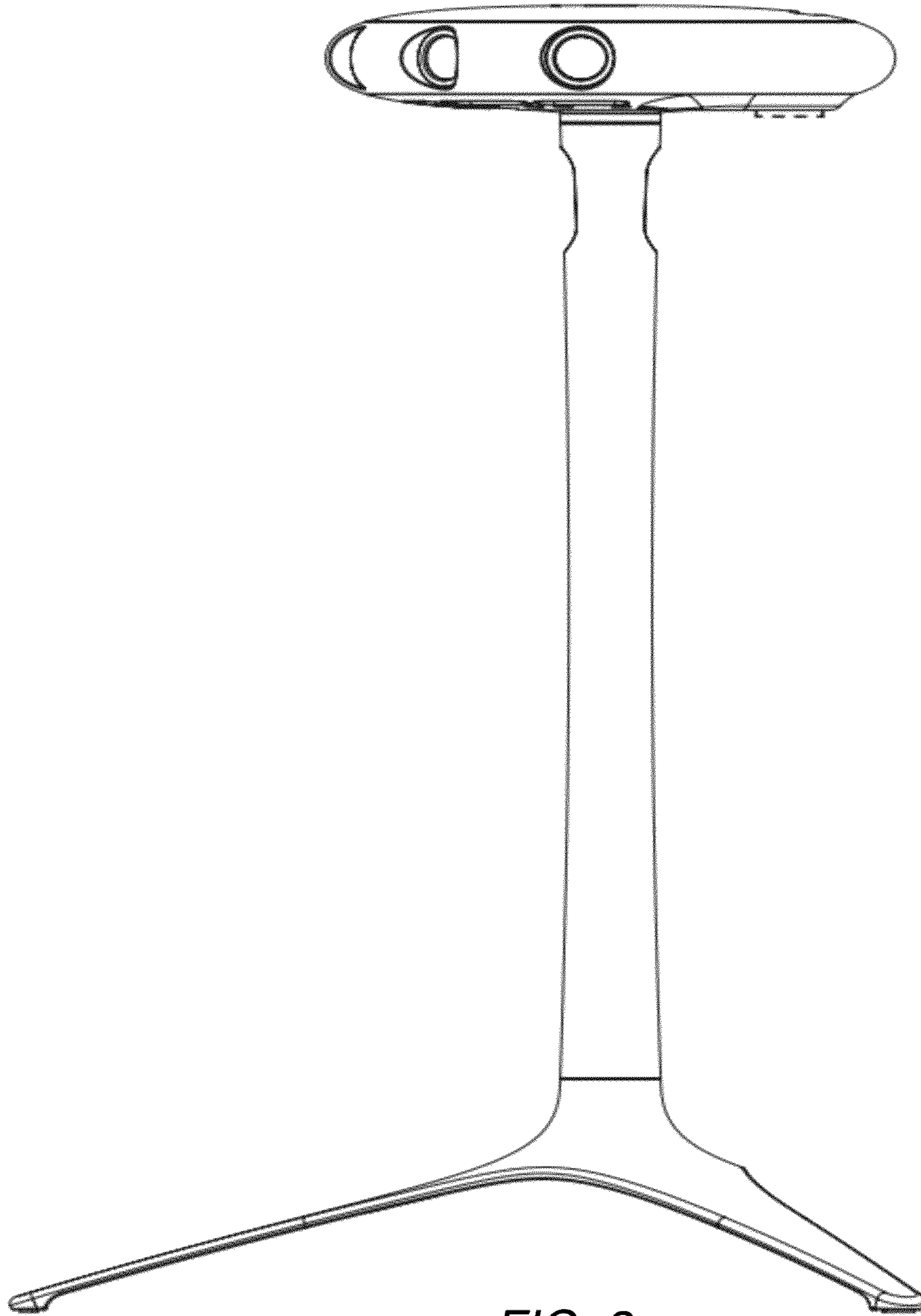


FIG. 3

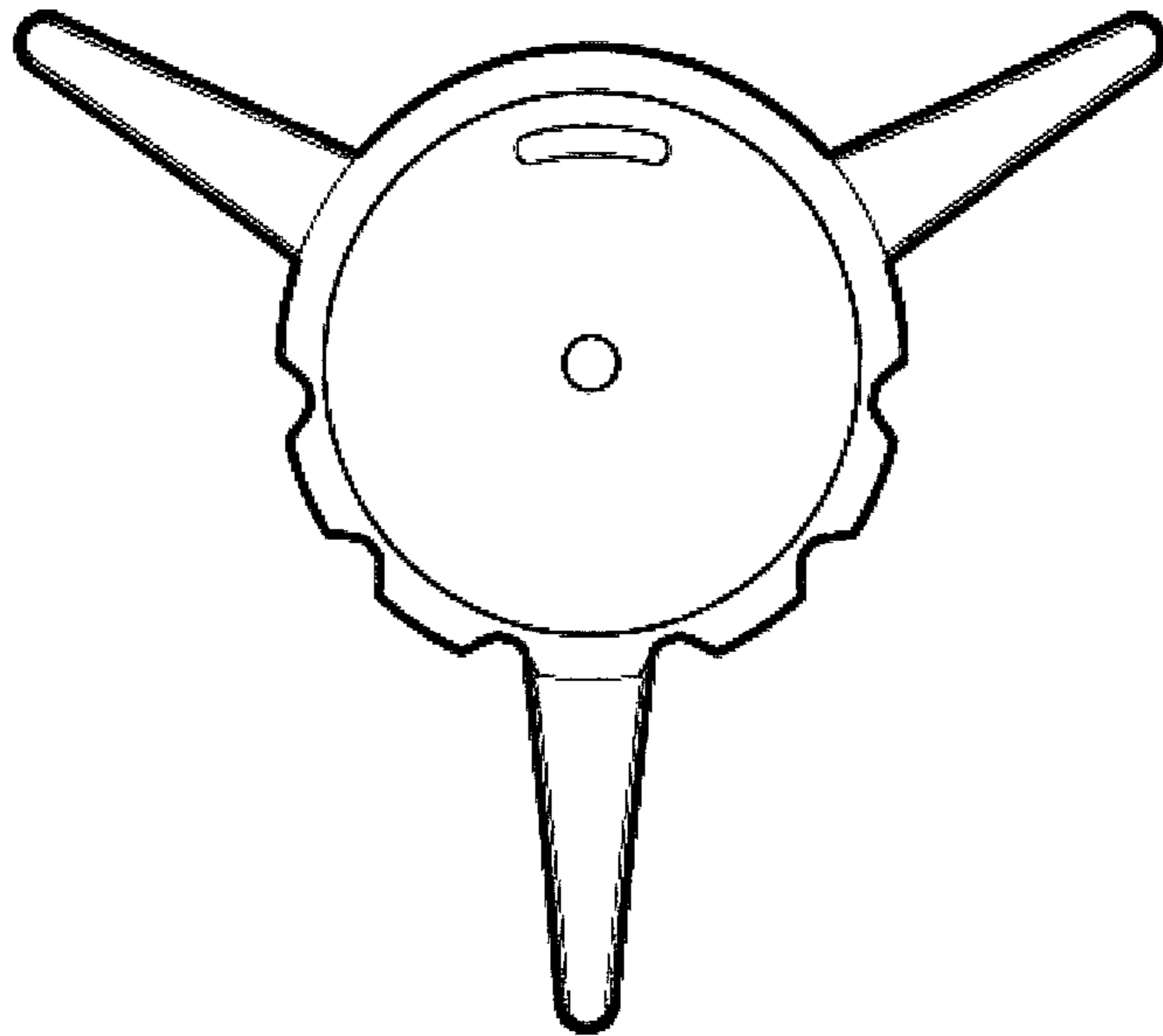


FIG. 4

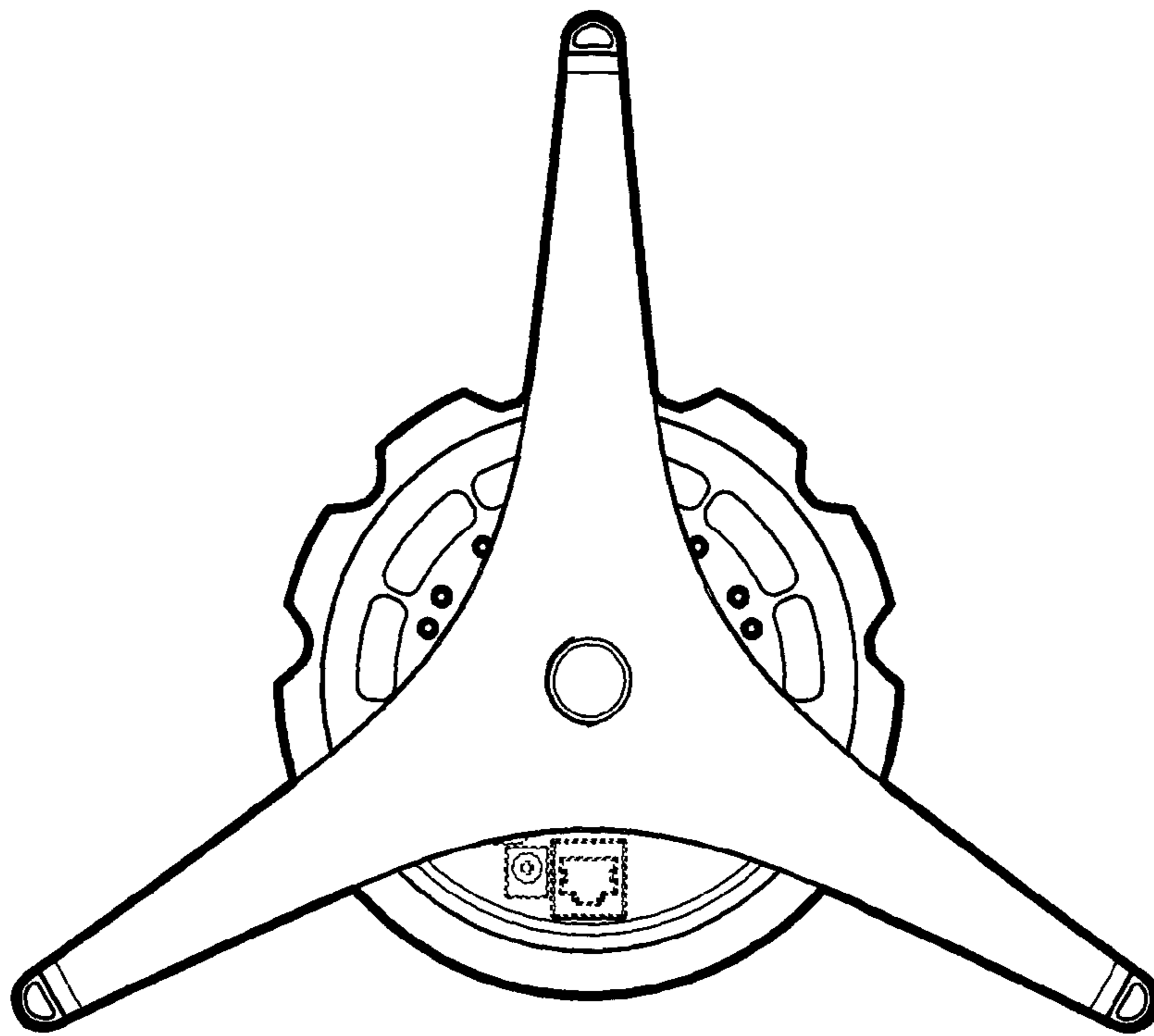


FIG. 5