



US00D733204S

(12) **United States Design Patent**
Imamizu

(10) **Patent No.:** **US D733,204 S**
(45) **Date of Patent:** **** Jun. 30, 2015**

- (54) **LENS BARREL FOR A TELESCOPE**
- (71) Applicant: **Nikon Vision Co., Ltd.**, Tokyo (JP)
- (72) Inventor: **Makoto Imamizu**, Yokohama (JP)
- (73) Assignee: **Nikon Vision Co., Ltd.**, Tokyo (JP)
- (**) Term: **14 Years**
- (21) Appl. No.: **29/481,623**
- (22) Filed: **Feb. 7, 2014**

- (30) **Foreign Application Priority Data**
- Aug. 12, 2013 (JP) 2013-018580
- (51) **LOC (10) Cl.** **16-06**
- (52) **U.S. Cl.**
- USPC **D16/132**
- (58) **Field of Classification Search**
- USPC D16/130, 132, 203; D21/403, 483, 514;
359/350, 351, 353, 382-384, 399-401,
359/405-407, 422, 425, 426, 429, 430, 432,
359/600, 616, 617, 802, 808, 818, 819, 822,
359/823, 825, 826, 829
- See application file for complete search history.

- (56) **References Cited**
- U.S. PATENT DOCUMENTS**
- D479,255 S 9/2003 Hamamura
- D508,252 S 8/2005 Koinuma
- 7,088,506 B2* 8/2006 Regan et al. 359/425
- D552,644 S * 10/2007 Zhou D16/132
- 8,167,443 B2 5/2012 Moriyoshi
- D674,831 S 1/2013 Wunnicke et al.

- D685,831 S * 7/2013 Wunnicke et al. D16/132
- D695,326 S 12/2013 Hoelbl
- D695,327 S * 12/2013 Hoelbl D16/132

OTHER PUBLICATIONS

Brochure of Telescopes issued by Swarovski Optic, dated Jul. 2012, pp. 1, 2, 3, 22-23 and 28-29.
Brochure of Telescopes issued by Swarovski Optik, dated Jul. 2012, pp. 1, 2, 3, 22-23 and 28-29.

* cited by examiner

Primary Examiner — Derrick Holland

Assistant Examiner — Lauren Calve

(74) *Attorney, Agent, or Firm* — Wolf, Greenfield & Sacks, P.C.; Randy J. Pritzker

(57) **CLAIM**

The ornamental design for a lens barrel for a telescope, as shown and described.

DESCRIPTION

FIG. 1 is a front, top, and left side perspective view of a lens barrel for a telescope showing my new design;
FIG. 2 is a rear, bottom, and right side perspective view thereof;
FIG. 3 is a front view thereof;
FIG. 4 is a rear view thereof;
FIG. 5 is a top plan view thereof;
FIG. 6 is a bottom plan view thereof;
FIG. 7 is a right side view thereof; and,
FIG. 8 is a left side view thereof.

The features shown in broken lines in the drawings depict environmental subject matter only and form no part of the claimed design. The dash-dotted lines denote the boundary of the claim and form no part of the claimed design.

1 Claim, 8 Drawing Sheets

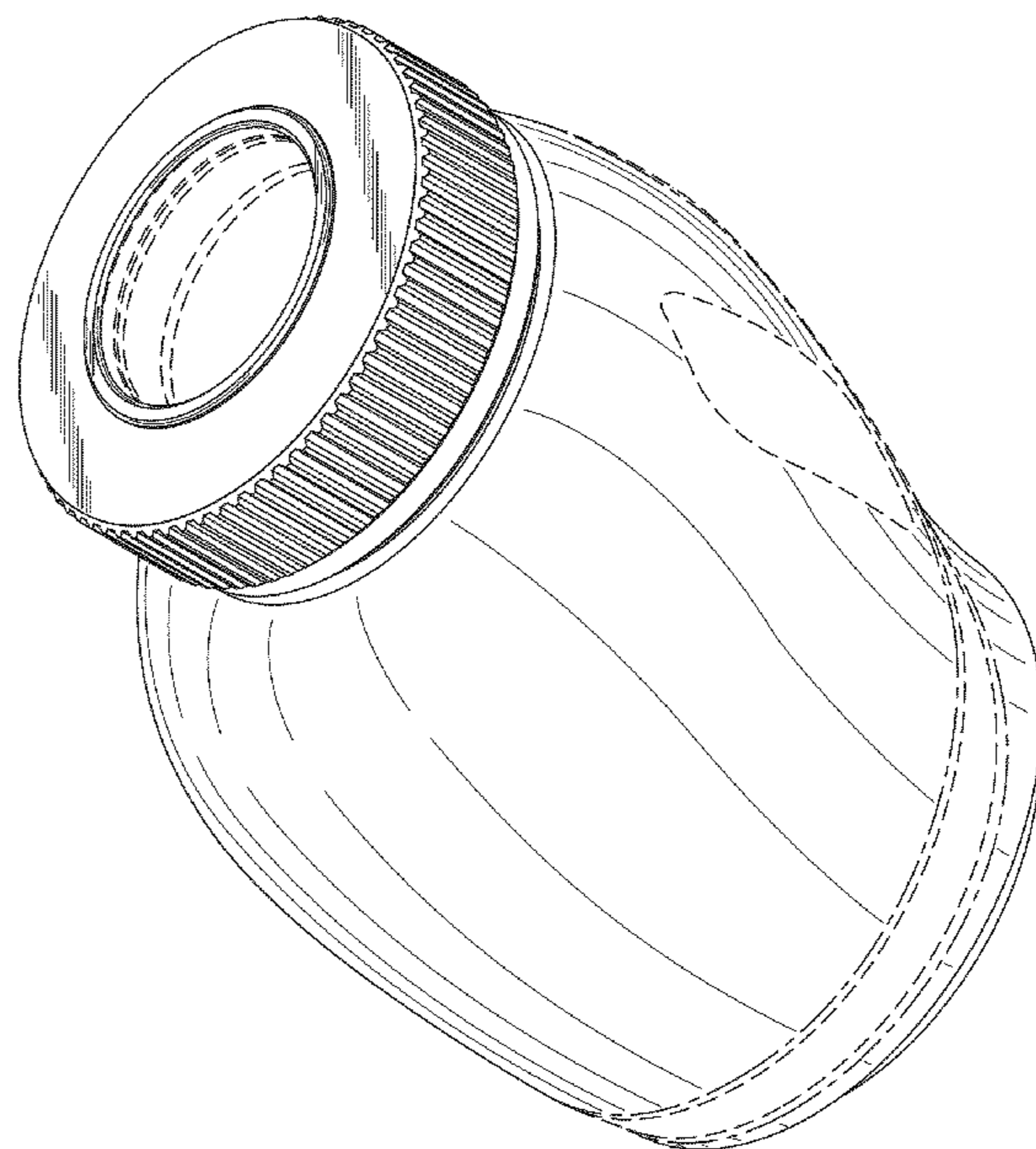
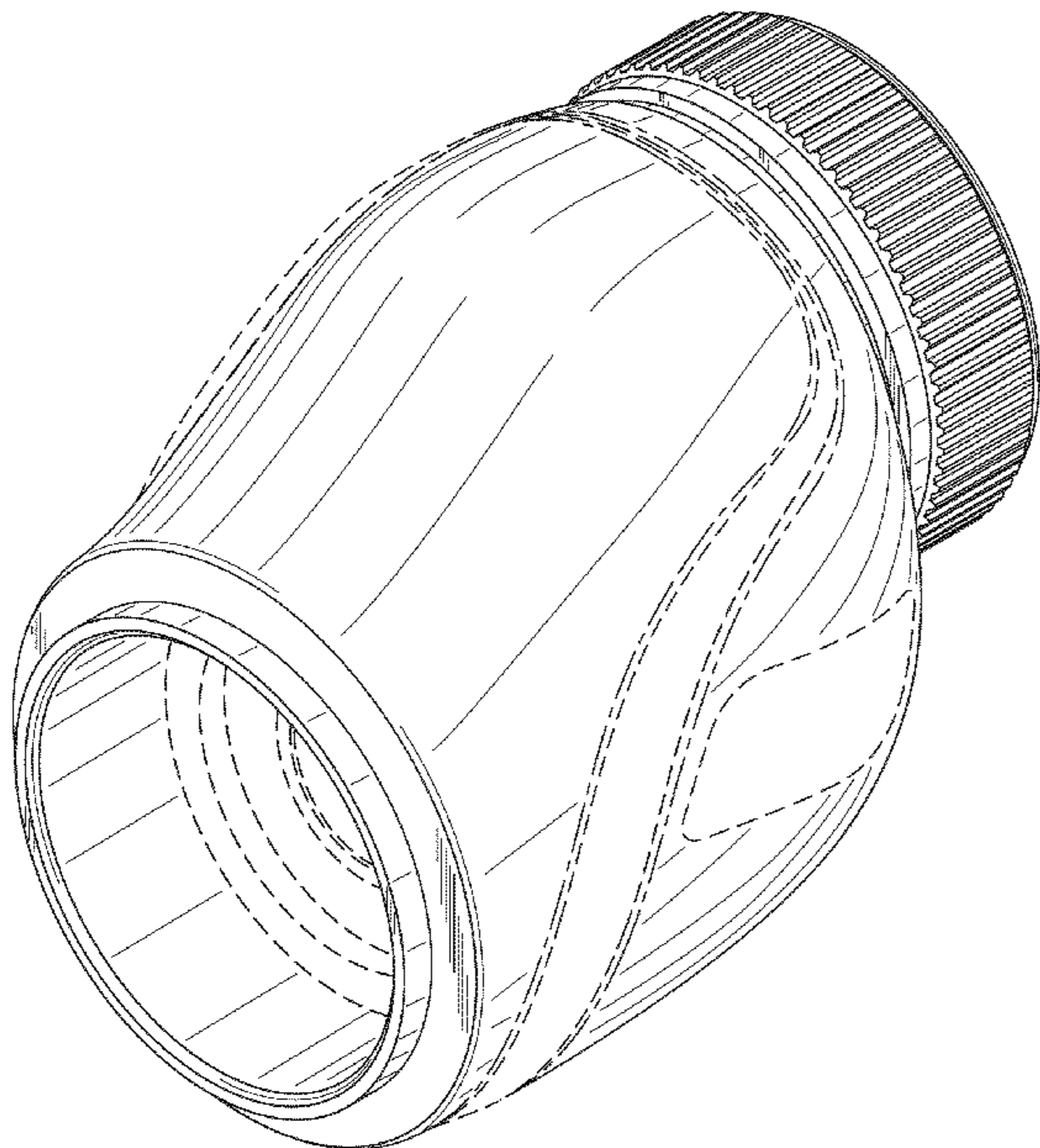


FIG. 1

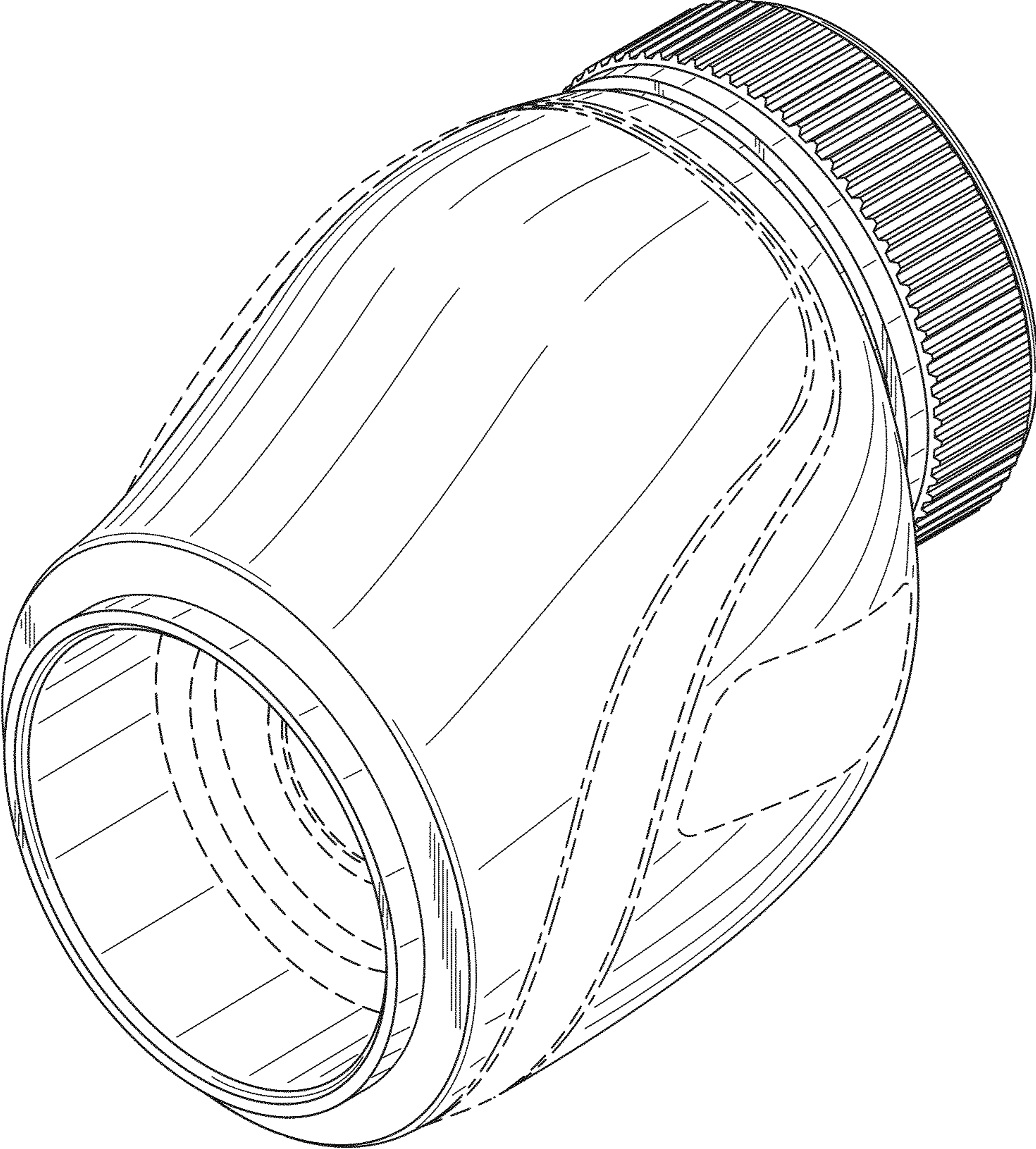


FIG. 2

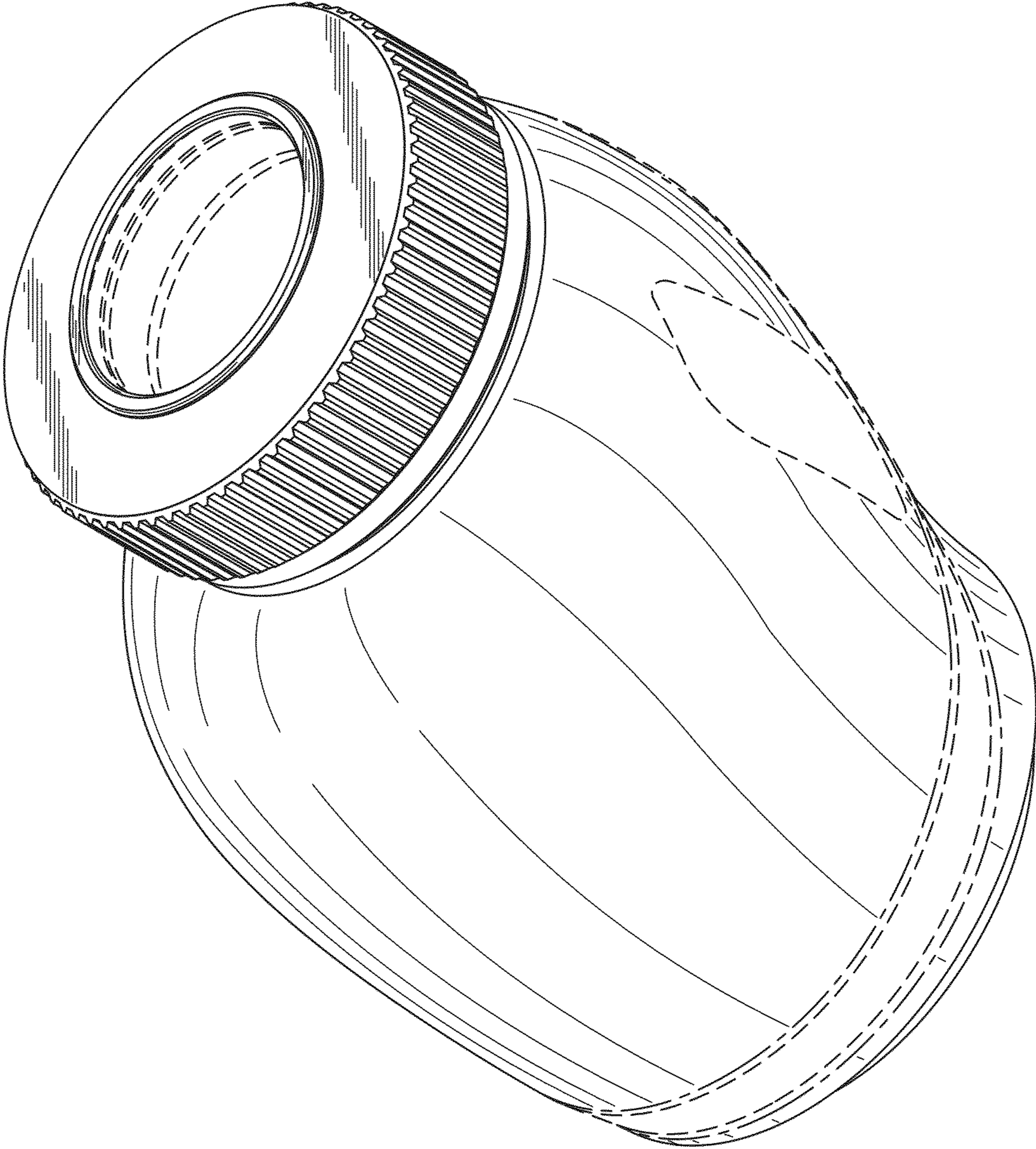


FIG. 3

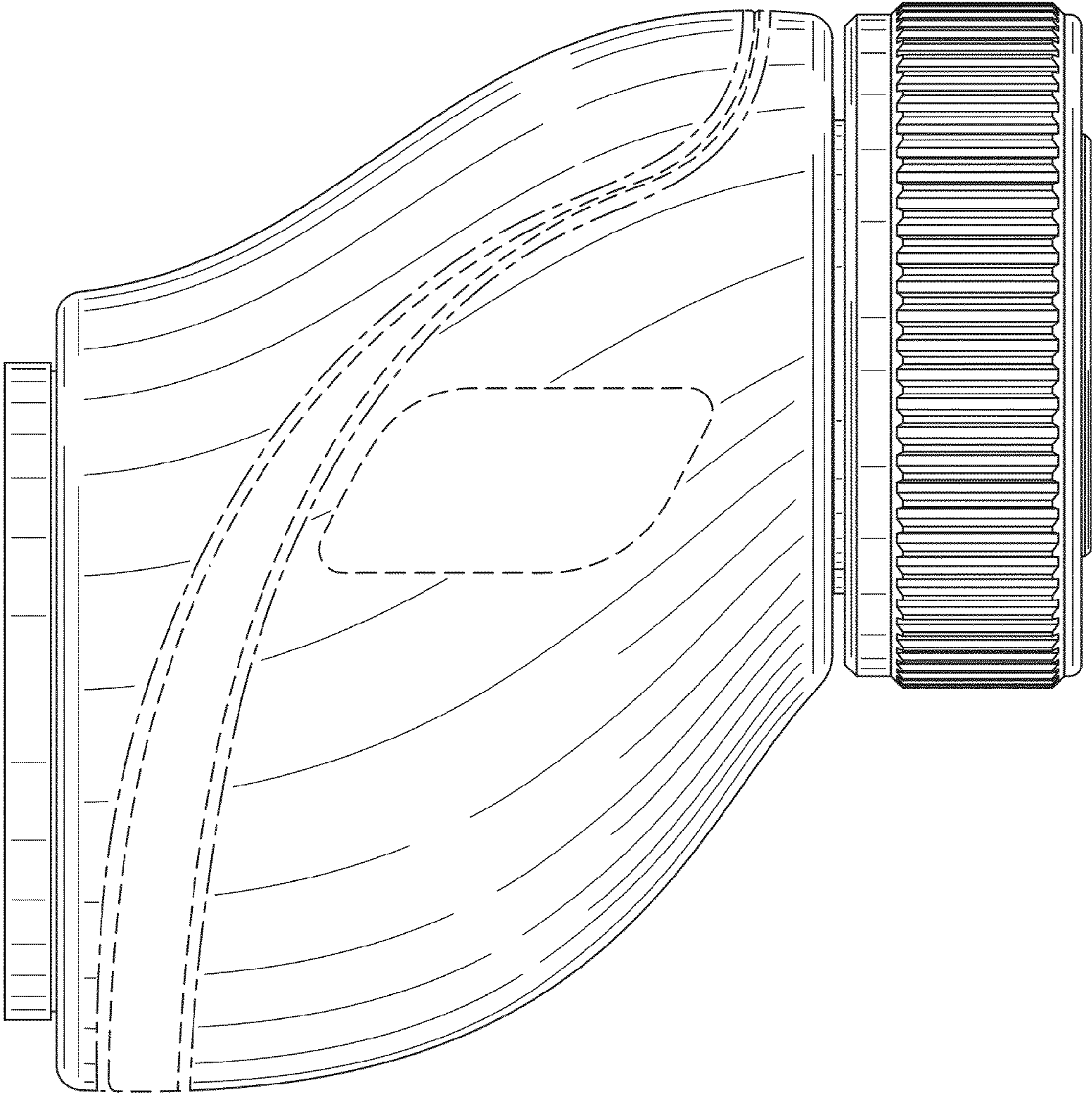


FIG. 4

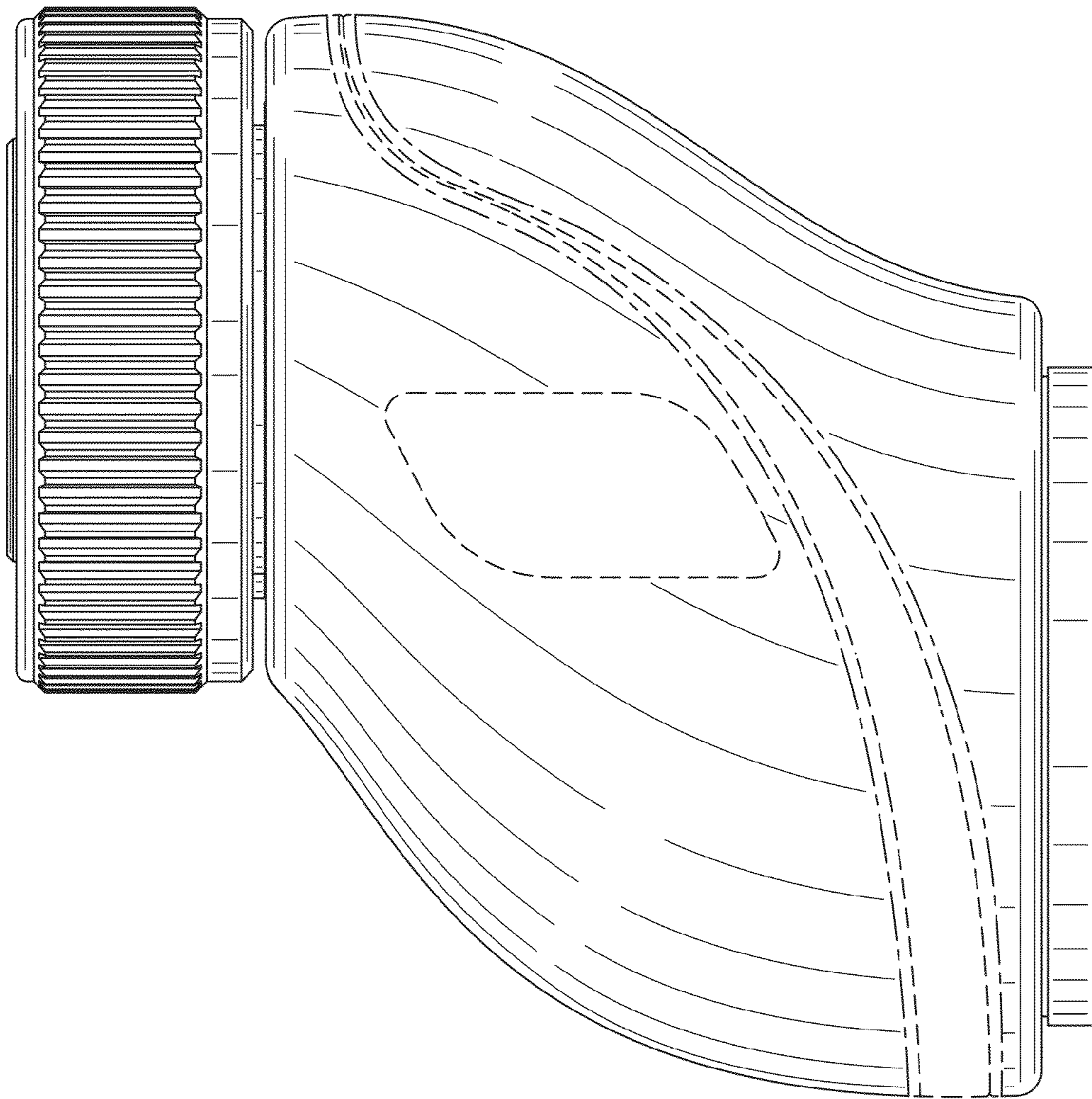


FIG. 5

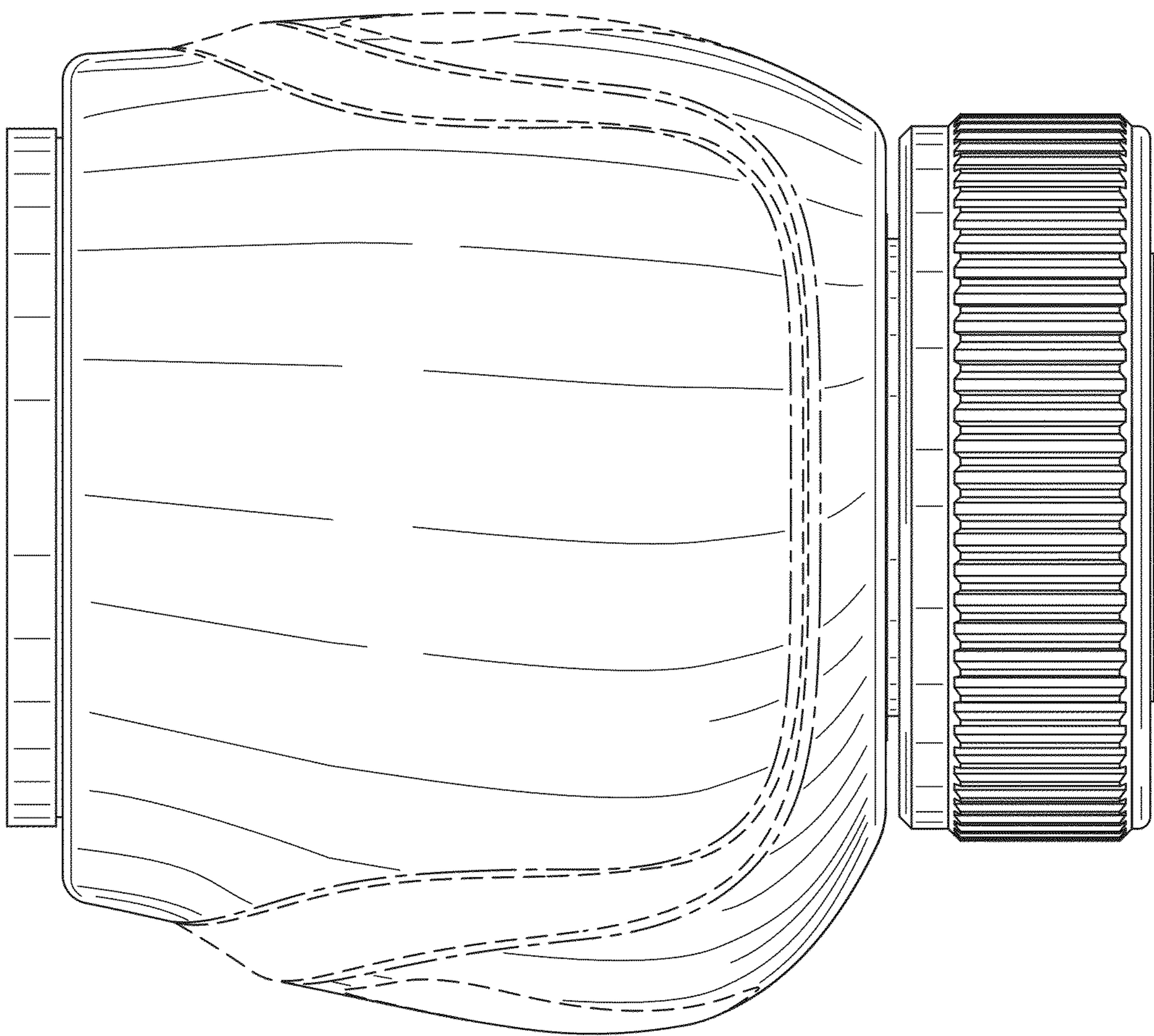


FIG. 6

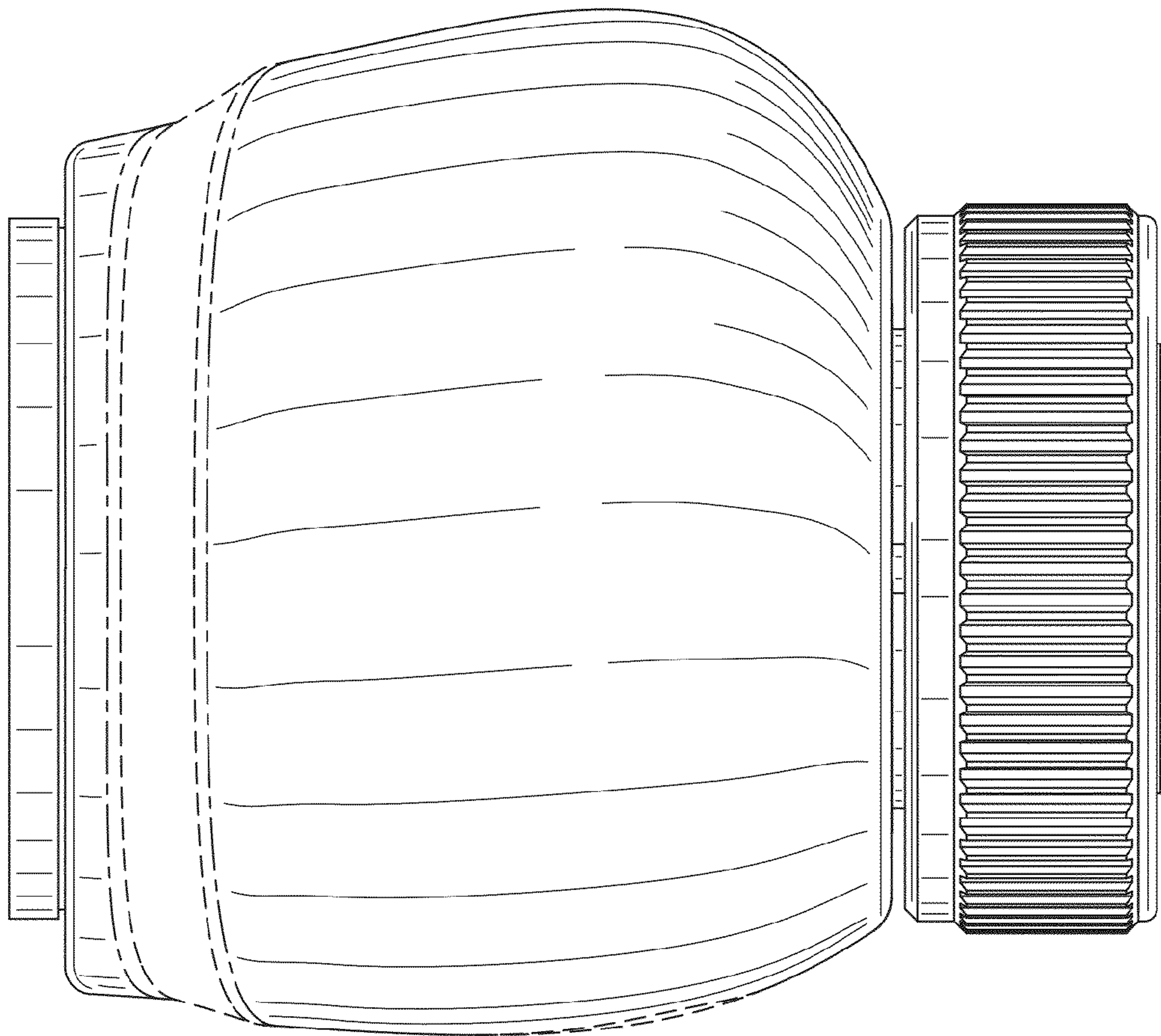


FIG. 7

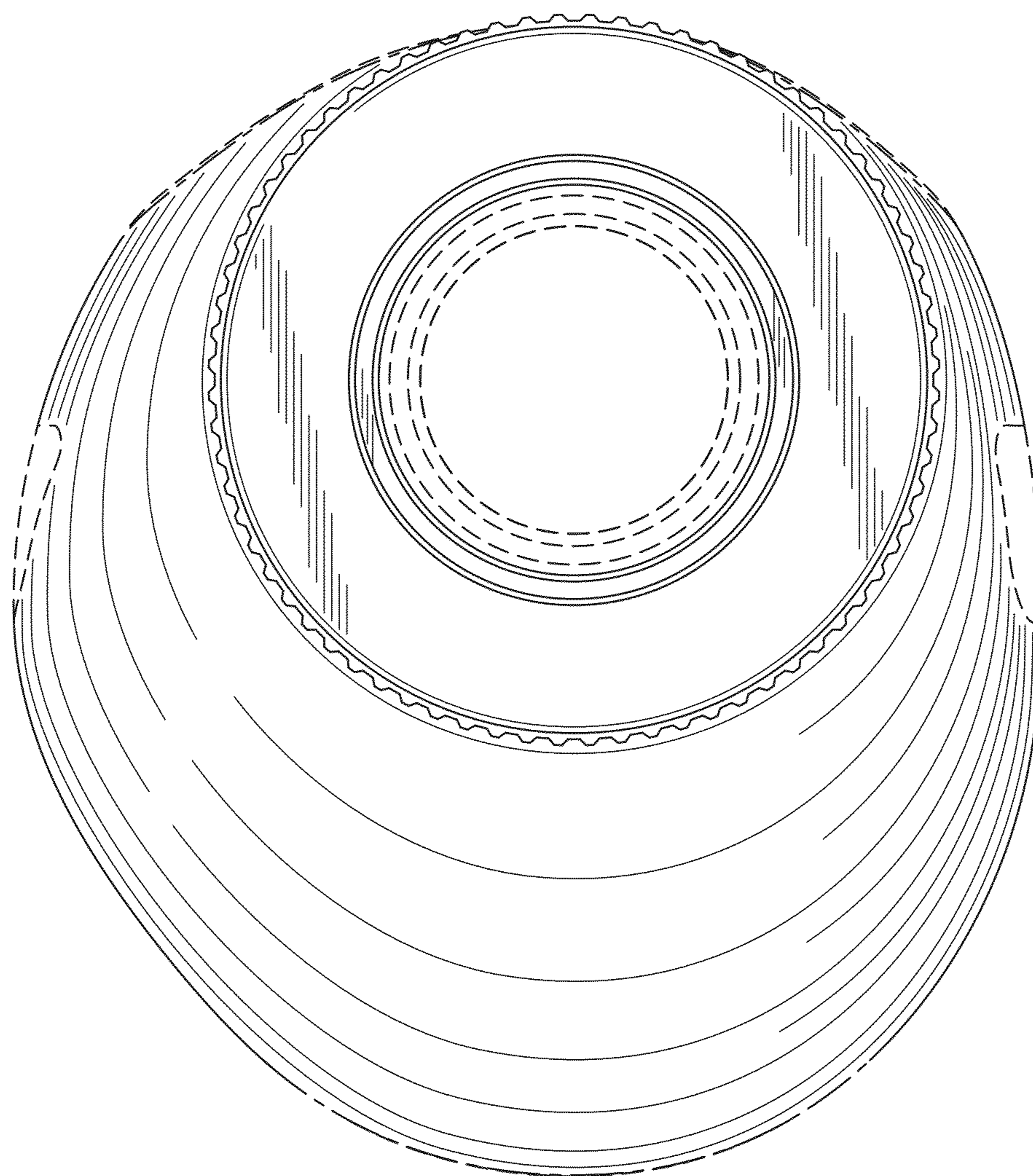


FIG. 8

