



US00D733203S

(12) **United States Design Patent**  
**Menor et al.**

(10) **Patent No.:** **US D733,203 S**  
(45) **Date of Patent:** **\*\* Jun. 30, 2015**

(54) **PERSONAL ROBOT**  
(71) Applicant: **Roam Robotics, Inc.**, Glendale, CA (US)  
(72) Inventors: **Scott Menor**, Glendale, CA (US); **Tyler Anderson**, Scottsdale, AZ (US); **Daniel Stone**, Chandler, AZ (US)  
(73) Assignee: **ROAMBOTICS INC.**, Glendale, CA (US)  
(\*\*) Term: **14 Years**  
(21) Appl. No.: **29/476,800**

D596,815 S \* 7/2009 Baek ..... D32/21  
D607,518 S 1/2010 Poolman et al.  
D608,845 S 1/2010 Tang  
D608,846 S 1/2010 Su et al.  
D624,610 S 9/2010 Wu et al.  
D626,892 S 11/2010 Shin  
D627,377 S 11/2010 Wiley et al.  
D628,609 S 12/2010 Linn et al.  
D635,603 S 4/2011 Paz Rodriguez  
D644,257 S 8/2011 Kitano et al.  
D658,341 S \* 4/2012 Nam et al. .... D32/21  
D660,530 S \* 5/2012 Geringer et al. .... D32/21  
D662,155 S 6/2012 Yu  
D663,333 S 7/2012 Kitano et al.  
D663,334 S 7/2012 Kitano et al.

(Continued)

(22) Filed: **Dec. 17, 2013**  
(51) **LOC (10) Cl.** ..... **15-99**  
(52) **U.S. Cl.**  
USPC ..... **D15/199**; D12/107  
(58) **Field of Classification Search**  
USPC ..... D12/107; D15/199; D21/578  
See application file for complete search history.

**FOREIGN PATENT DOCUMENTS**

EP 2319663 A2 5/2011  
EP 2281668 B1 4/2013  
WO WO 2010/130179 A1 11/2010

*Primary Examiner* — Patricia Palasik  
(74) *Attorney, Agent, or Firm* — Wilson Sonsini Goodrich & Rosati

(56) **References Cited**  
**U.S. PATENT DOCUMENTS**

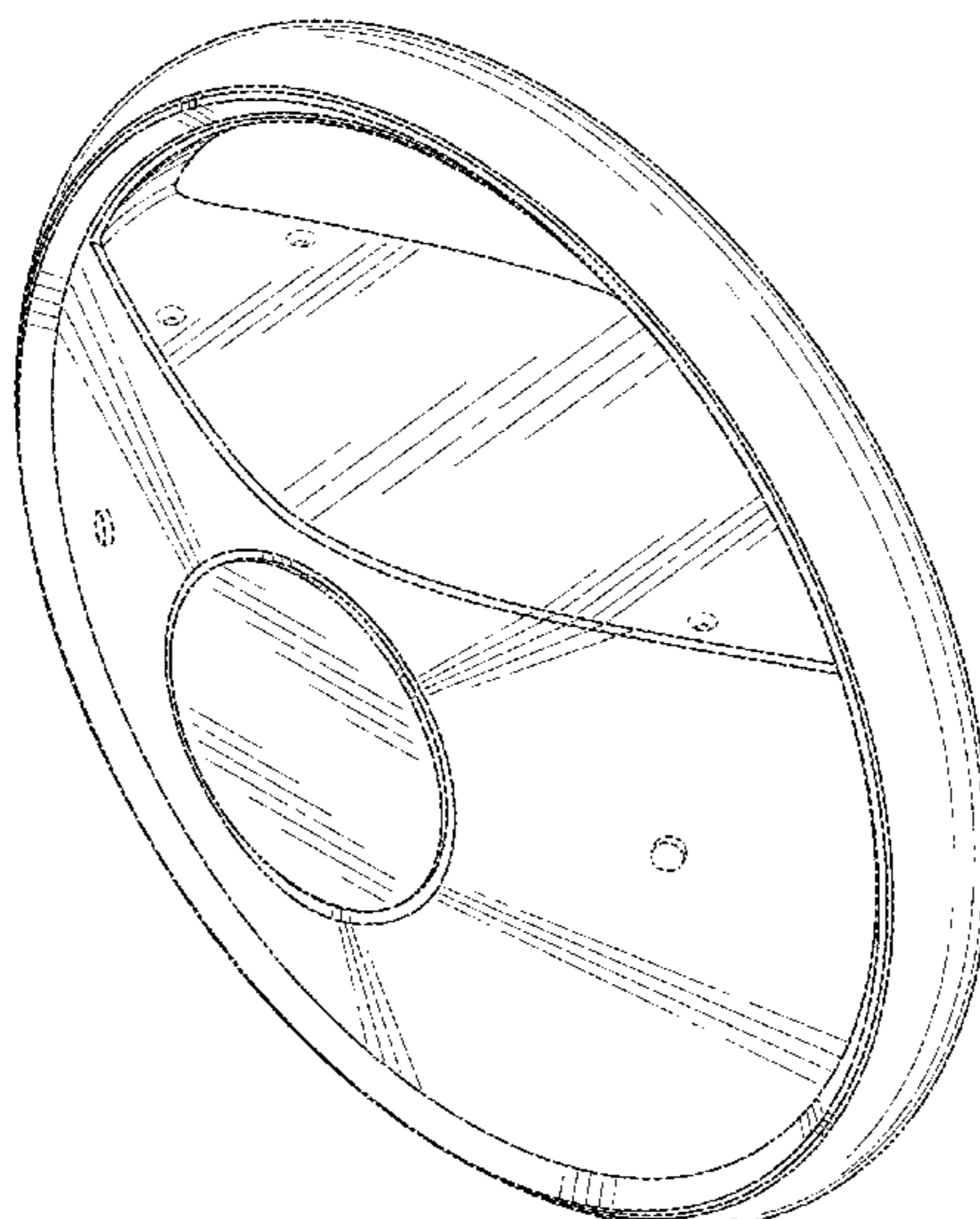
3,260,324 A 7/1966 Suarez  
3,789,947 A \* 2/1974 Blumrich ..... 180/6.48  
D254,365 S 3/1980 Brilando  
4,324,413 A \* 4/1982 Bensette et al. .... 280/205  
D273,287 S 4/1984 Evans  
D324,252 S 2/1992 Williamson  
D505,363 S 5/2005 Aube et al.  
6,896,078 B2 \* 5/2005 Wakui ..... 180/7.1  
D548,902 S \* 8/2007 Chun et al. .... D32/21  
D549,756 S 8/2007 Park et al.  
D556,961 S \* 12/2007 Swyst et al. .... D32/21  
D559,288 S 1/2008 Matsuda  
D560,560 S 1/2008 Dacsev  
D561,796 S 2/2008 Mitchell  
D566,737 S 4/2008 Matsuda  
7,388,343 B2 \* 6/2008 Jones et al. .... 318/587  
D593,165 S 5/2009 Hetrick et al.  
7,537,229 B1 \* 5/2009 Wu ..... 280/205

(57) **CLAIM**  
The ornamental design for a personal robot, as shown and described.

**DESCRIPTION**

FIG. 1 is a perspective view of the personal robot showing an embodiment of our new design;  
FIG. 2 is a bottom view thereof;  
FIG. 3 is a top view thereof;  
FIG. 4 is a front view thereof;  
FIG. 5 is a rear view thereof;  
FIG. 6 is a right side view thereof; and,  
FIG. 7 is a left side view thereof.  
The broken lines in FIGS. 1-7 are for illustrative purposes only and form no part of the claimed design.

**1 Claim, 7 Drawing Sheets**



(56)

References Cited

U.S. PATENT DOCUMENTS

8,219,308 B2 *	7/2012	Leeser	701/124	8,761,939 B2 *	6/2014	Lee et al.	700/259
D665,547 S *	8/2012	Nam et al.	D32/21	8,763,488 B2 *	7/2014	Reekers	74/490.01
8,240,407 B2 *	8/2012	Takenaka et al.	180/7.1	8,794,367 B2 *	8/2014	Chung et al.	180/167
D670,877 S *	11/2012	Geringer et al.	D32/21	8,800,101 B2 *	8/2014	Kim et al.	15/319
D673,081 S	12/2012	Chen et al.		8,801,057 B2 *	8/2014	Kim et al.	293/4
D676,214 S *	2/2013	McKinnon et al.	D34/29	8,807,250 B2 *	8/2014	Chen	180/21
8,386,159 B2 *	2/2013	Takenaka et al.	701/124	8,832,902 B2 *	9/2014	Kim et al.	15/392
D677,743 S	3/2013	Koshiishi		8,843,245 B2 *	9/2014	Choe et al.	701/2
D677,744 S	3/2013	Yu		2001/0032743 A1	10/2001	Kamen et al.	
8,443,920 B2 *	5/2013	Gomi et al.	180/21	2005/0275188 A1	12/2005	Lee	
8,459,667 B2 *	6/2013	Ungar et al.	280/87.041	2007/0158117 A1	7/2007	Alexander	
D685,295 S	7/2013	Mori et al.		2009/0266629 A1	10/2009	Simeray et al.	
D685,438 S	7/2013	Fan		2011/0056757 A1	3/2011	Polutnik	
8,494,746 B2 *	7/2013	Akimoto et al.	701/70	2011/0175319 A1	7/2011	Chen	
8,522,902 B2 *	9/2013	Gomi et al.	180/21	2011/0191013 A1	8/2011	Leeser	
8,571,781 B2 *	10/2013	Bernstein et al.	701/99	2011/0231013 A1	9/2011	Smoot et al.	
8,688,272 B2 *	4/2014	Hong et al.	700/253	2012/0175176 A1	7/2012	Hamaya et al.	
				2012/0217072 A1	8/2012	Hoffmann et al.	
				2012/0313336 A1	12/2012	Chen	

\* cited by examiner

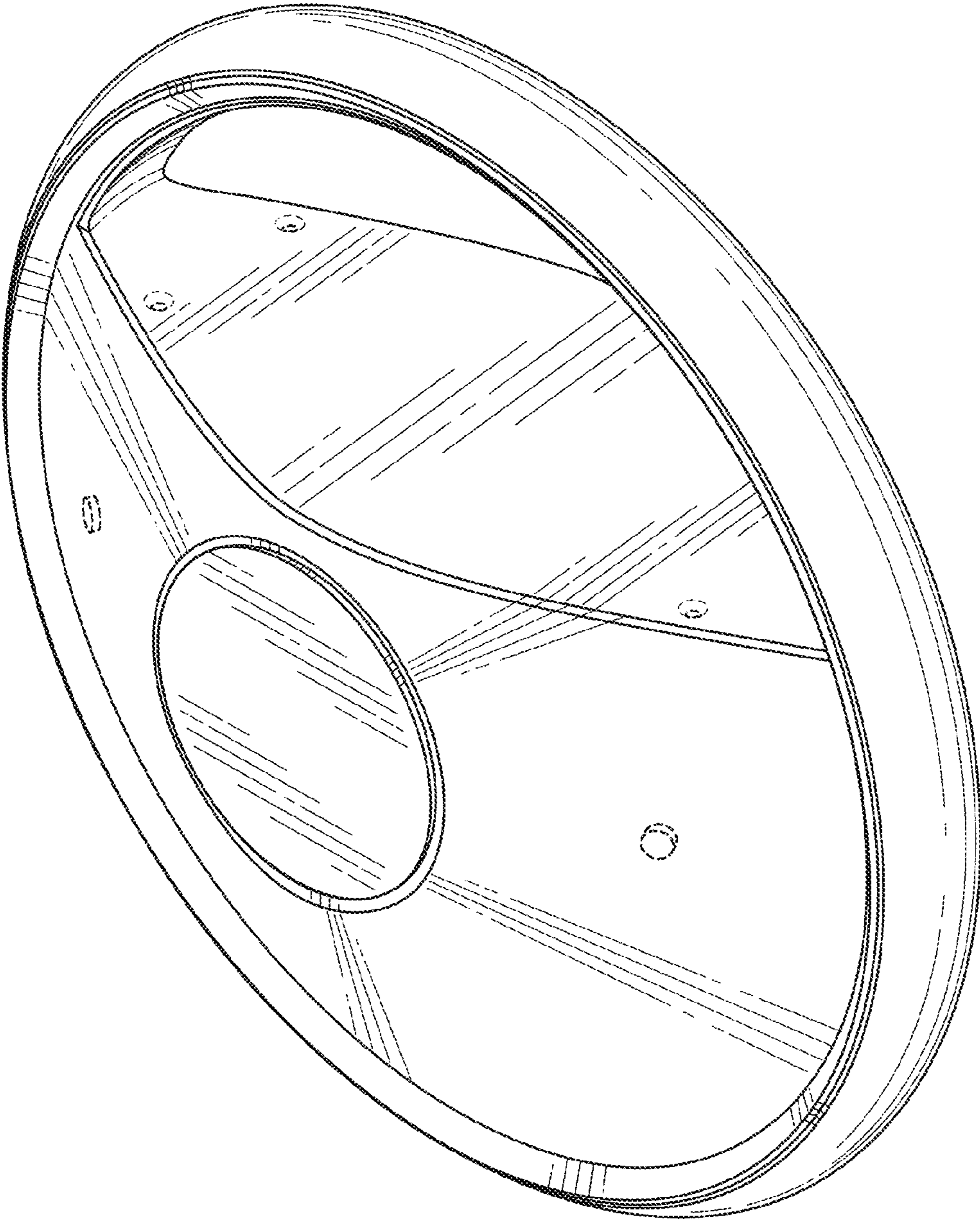


FIG. 1

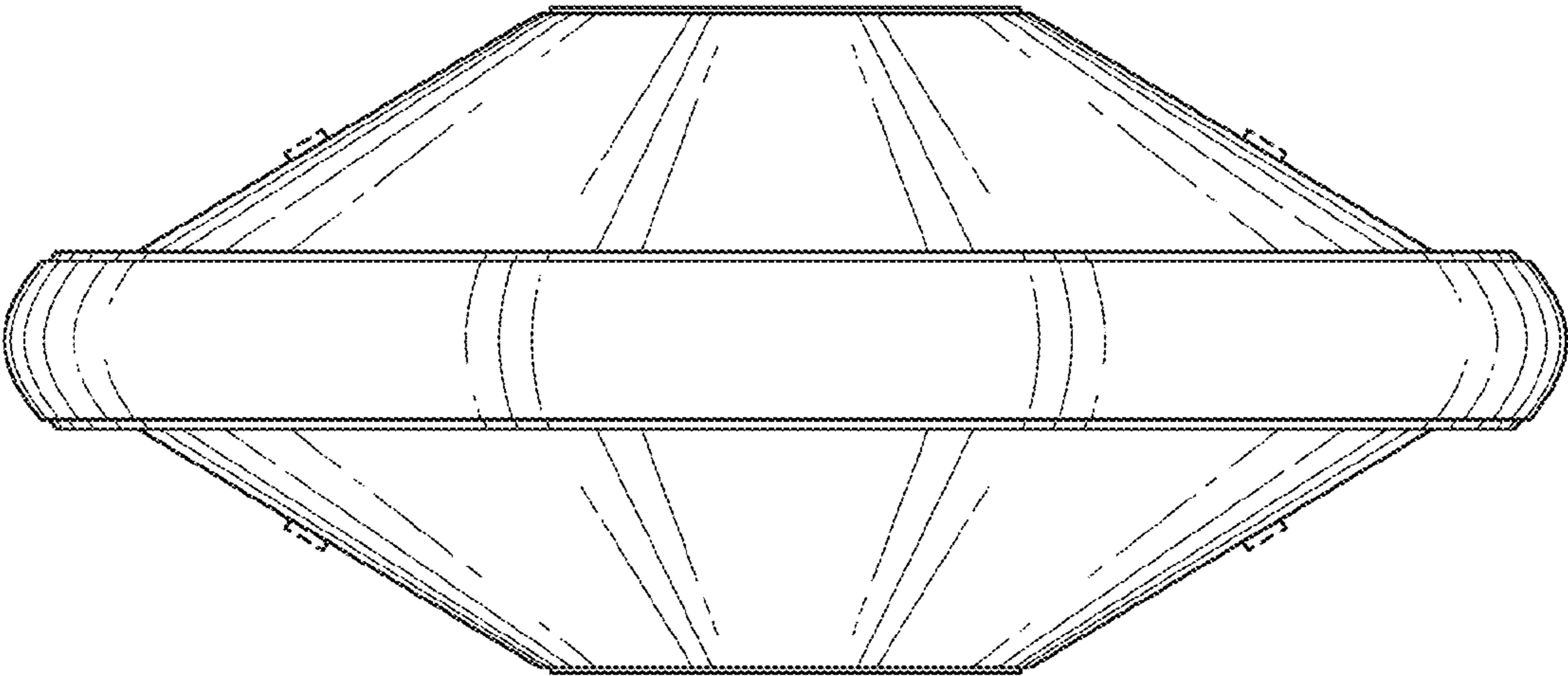


FIG. 2

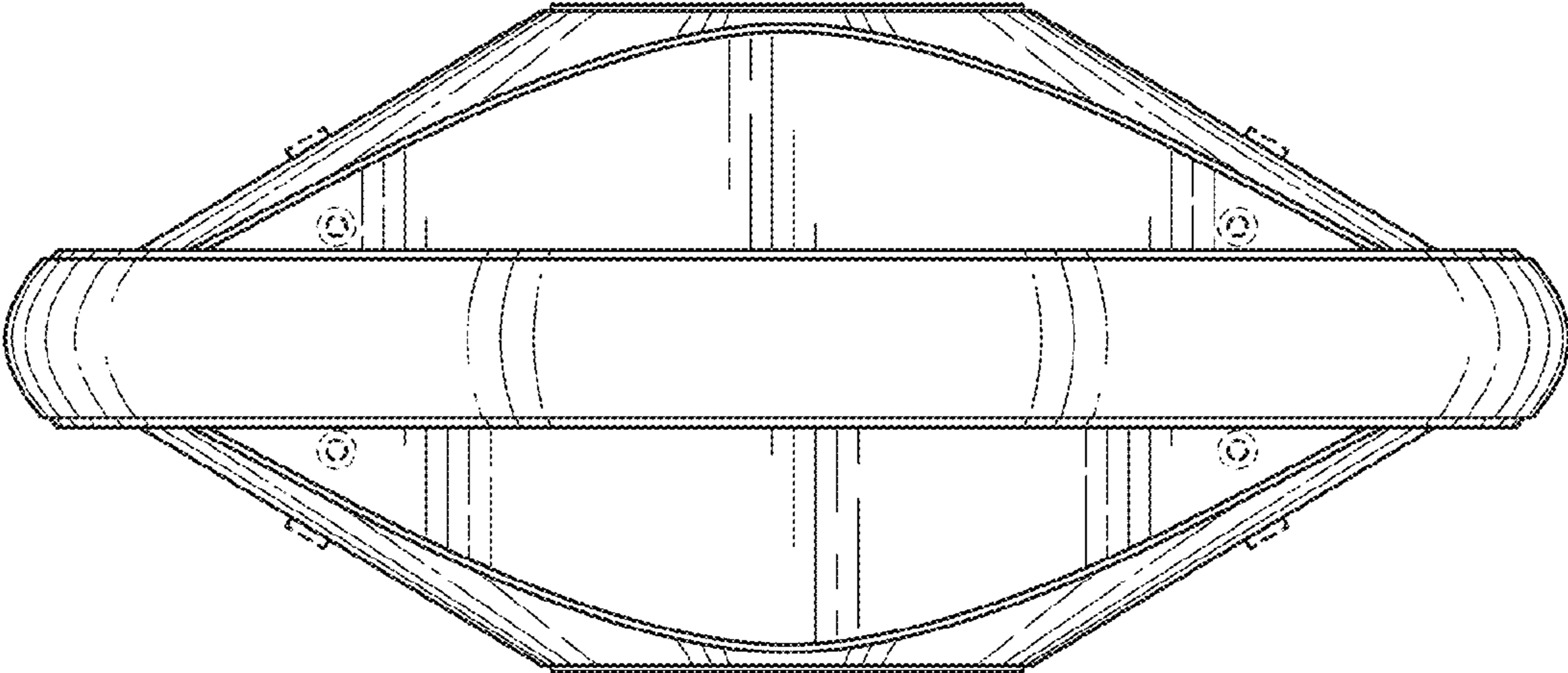


FIG. 3

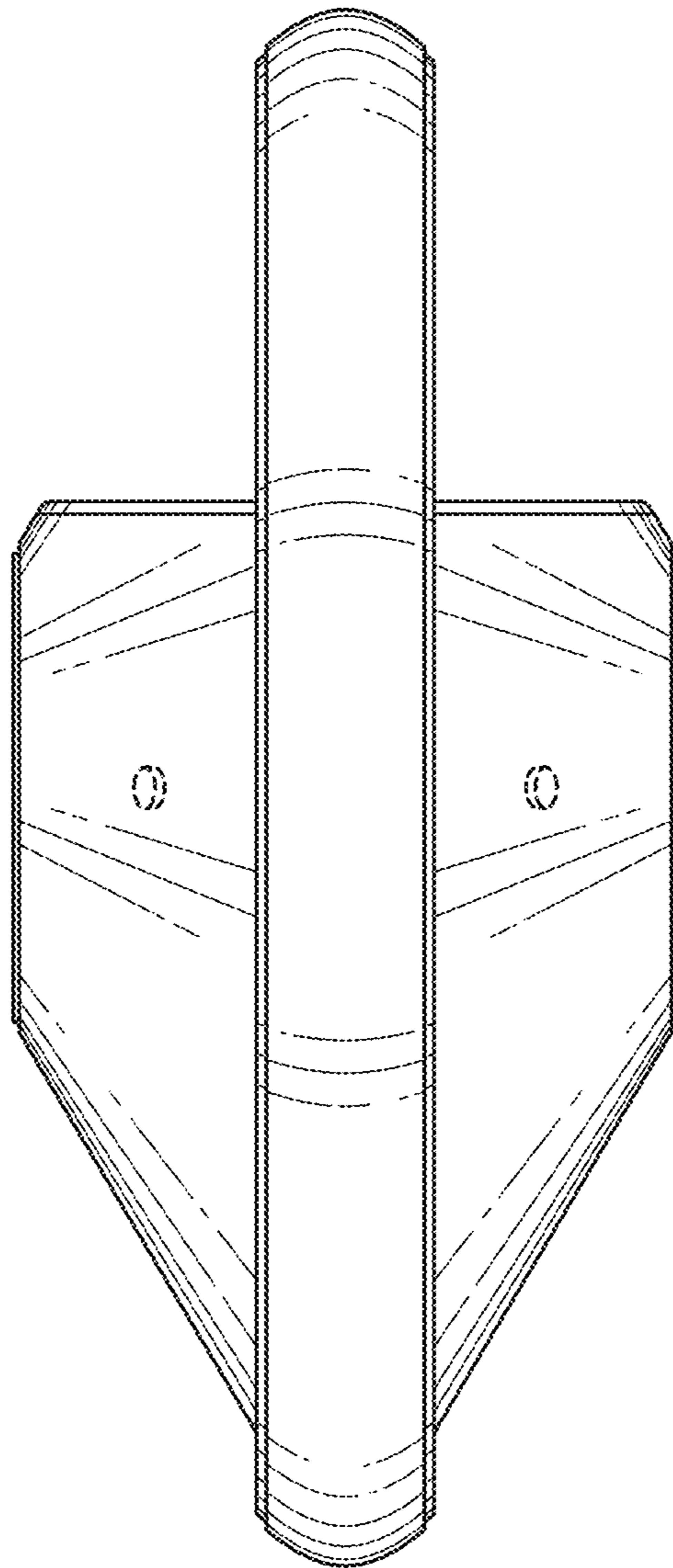


FIG. 4

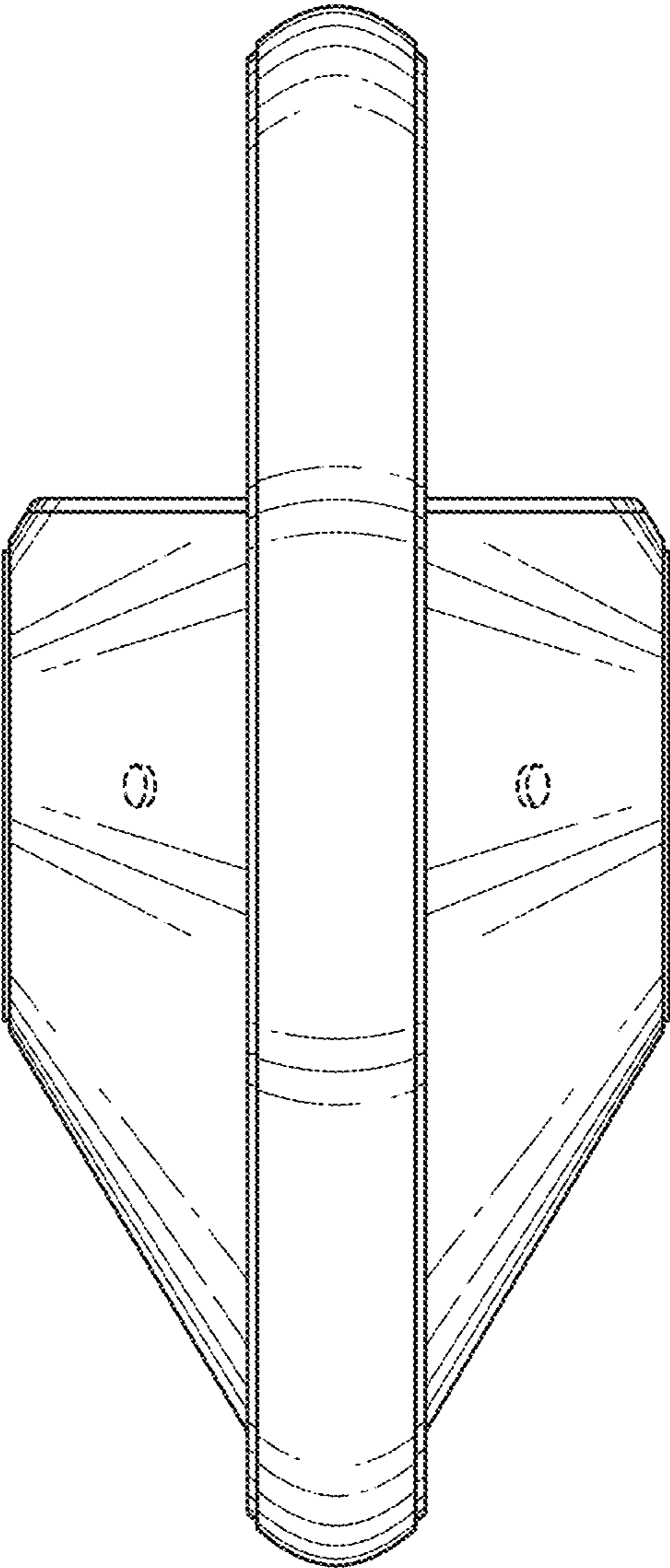


FIG. 5

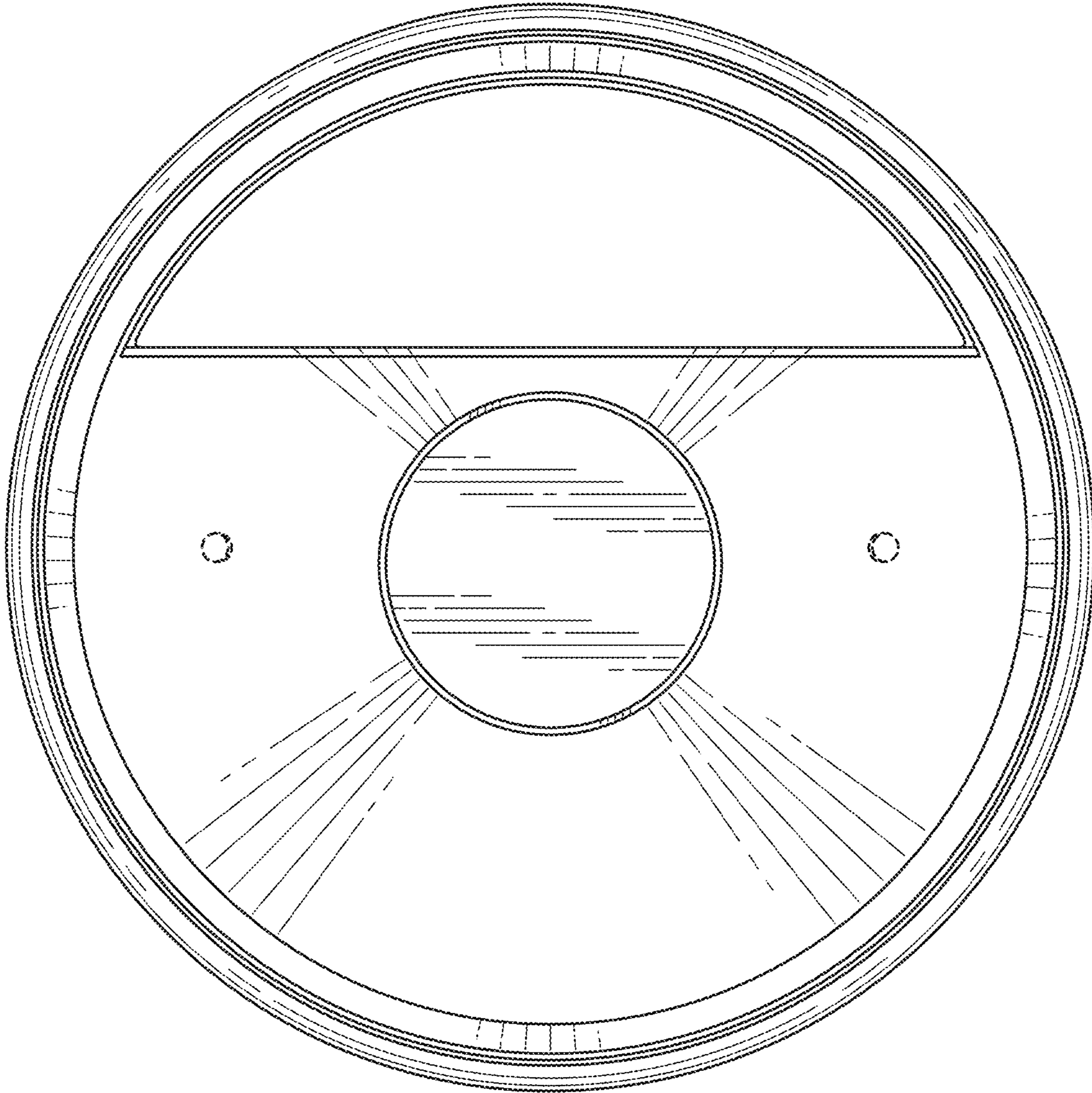


FIG. 6



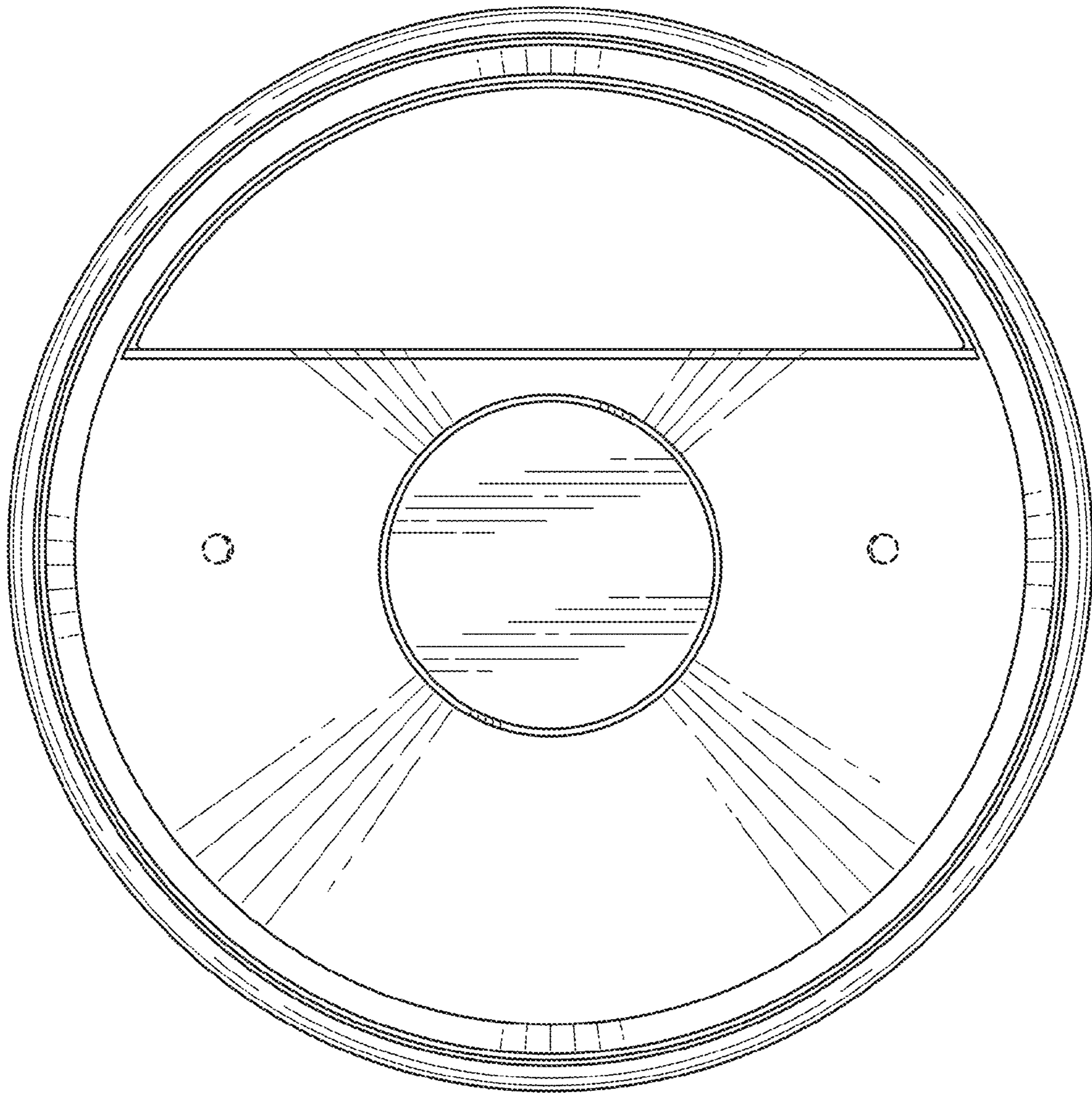


FIG. 7