



US00D733200S

(12) **United States Design Patent**
Tremblay

(10) **Patent No.:** **US D733,200 S**

(45) **Date of Patent:** **** Jun. 30, 2015**

(54) **POT MIXING DEVICE**

(71) Applicant: **Pierre Alexandre Tremblay,**
Mascouche (CA)

(72) Inventor: **Pierre Alexandre Tremblay,**
Mascouche (CA)

(73) Assignee: **Pierre Alexandre Tremblay,**
Mascouche (CA)

(**) Term: **14 Years**

(21) Appl. No.: **29/472,769**

(22) Filed: **Nov. 15, 2013**

(51) **LOC (10) Cl.** **15-99**

(52) **U.S. Cl.**
USPC **D15/147**

(58) **Field of Classification Search**
USPC D7/376; D9/436; D15/147
CPC .. B01F 7/001; B01F 7/00133; B01F 7/00158;
B01F 13/002; B01F 2215/0047
See application file for complete search history.

(56) **References Cited**

U.S. PATENT DOCUMENTS

5,199,788 A * 4/1993 Stallings 366/247
D399,091 S * 10/1998 Rubin D7/376

D421,030 S * 2/2000 Panaccione et al. D15/147
6,113,258 A * 9/2000 Ardent 366/282
D442,087 S * 5/2001 Walls D32/54
6,532,863 B1 * 3/2003 Lee 99/348
D566,143 S * 4/2008 Rosso et al. D15/138
D576,186 S * 9/2008 Rosso et al. D15/138
7,887,230 B2 * 2/2011 Rosso et al. 366/129
D682,330 S * 5/2013 Reay D15/147

* cited by examiner

Primary Examiner — Patricia Palasik

(74) *Attorney, Agent, or Firm* — Benoit & Cote Inc.

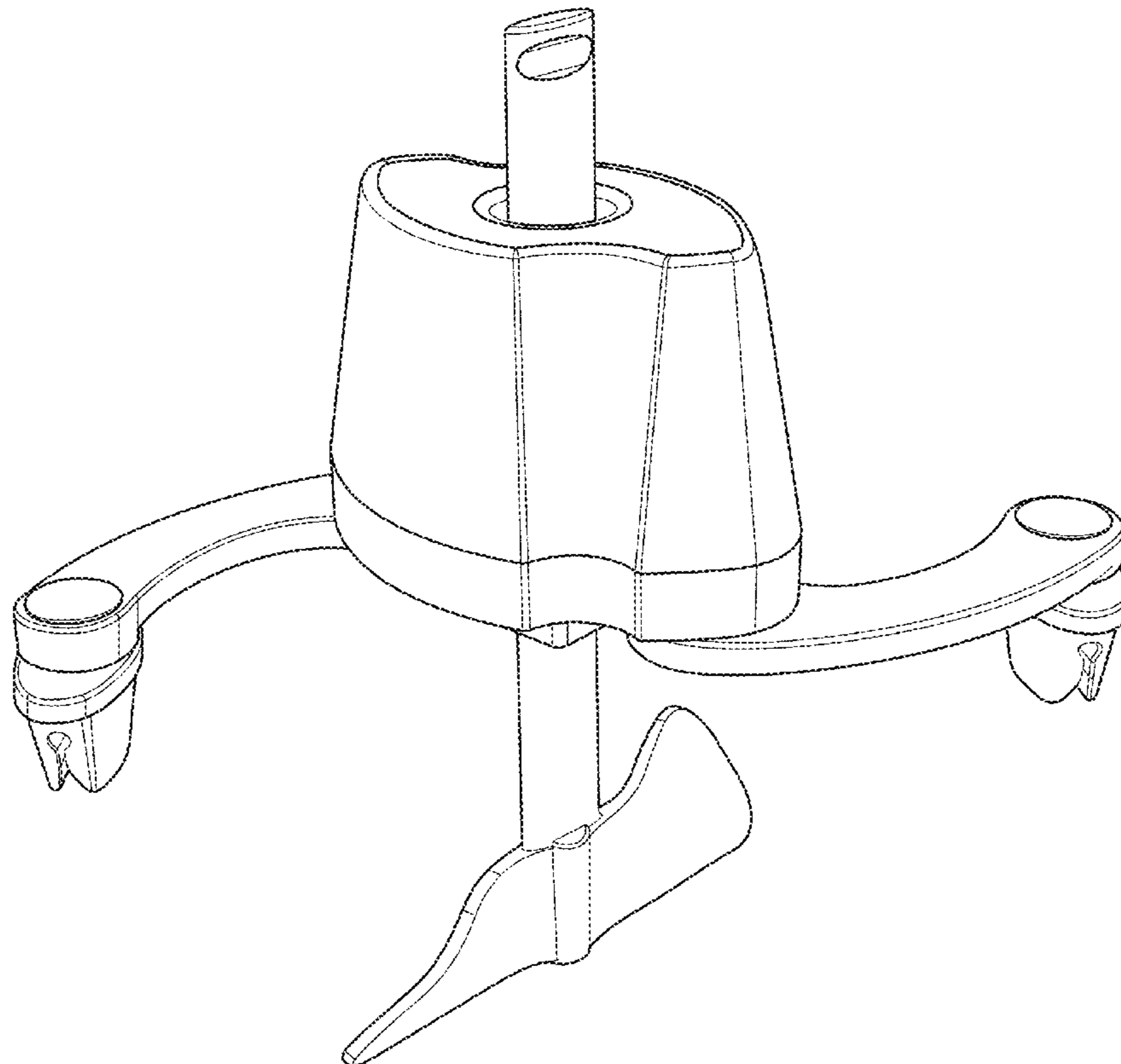
(57) **CLAIM**

The ornamental design for a pot mixing device, as shown and described.

DESCRIPTION

FIG. 1 is a perspective view of the pot mixing device in accordance with the present design;
FIG. 2 is a front elevation view of the present design;
FIG. 3 is a top plan view of the present design;
FIG. 4 is a side elevation view of the present design;
FIG. 5 is a rear elevation view of the present design; and,
FIG. 6 is a side elevation view of the other side of the present design.

1 Claim, 6 Drawing Sheets



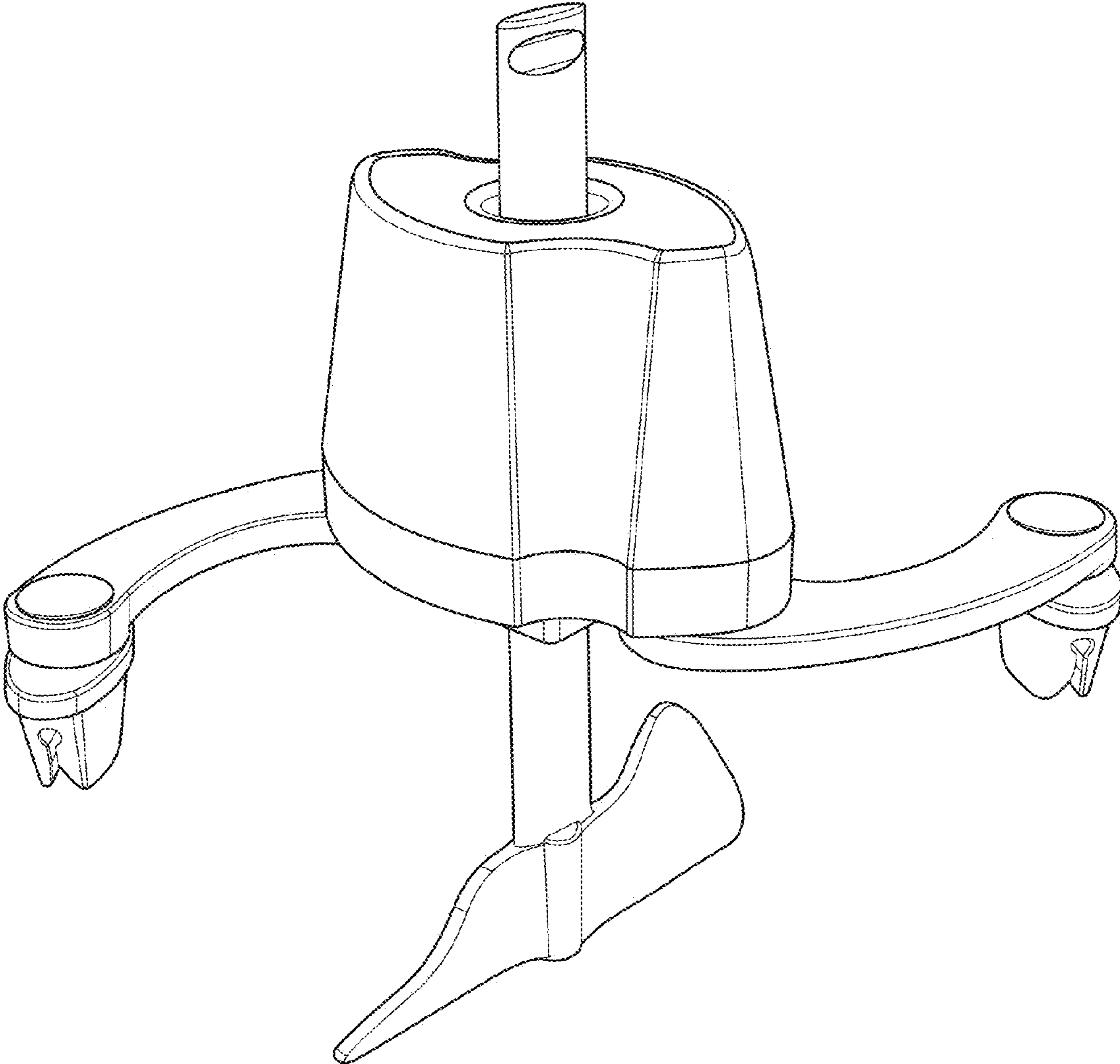


FIG. 1

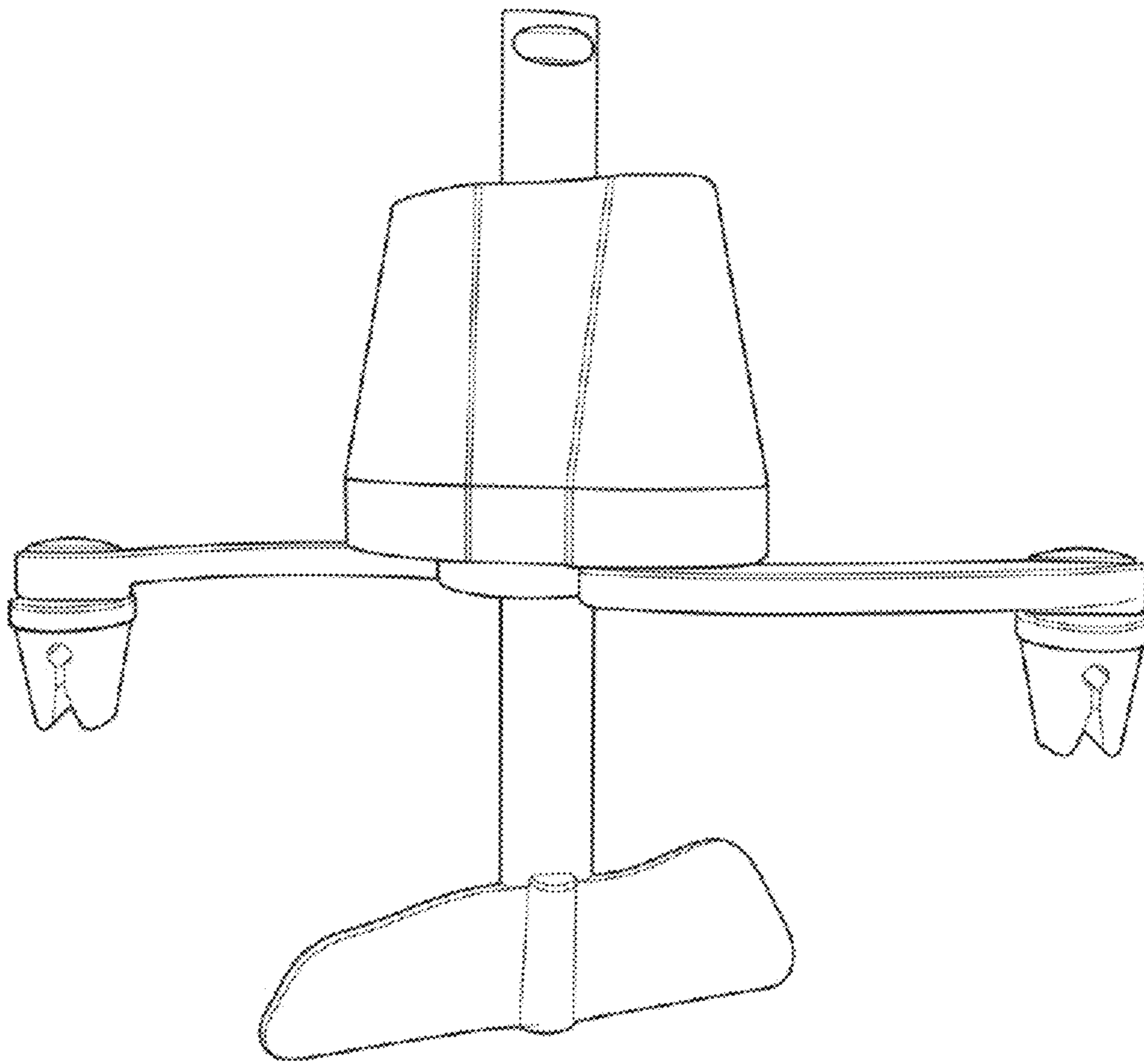


FIG. 2

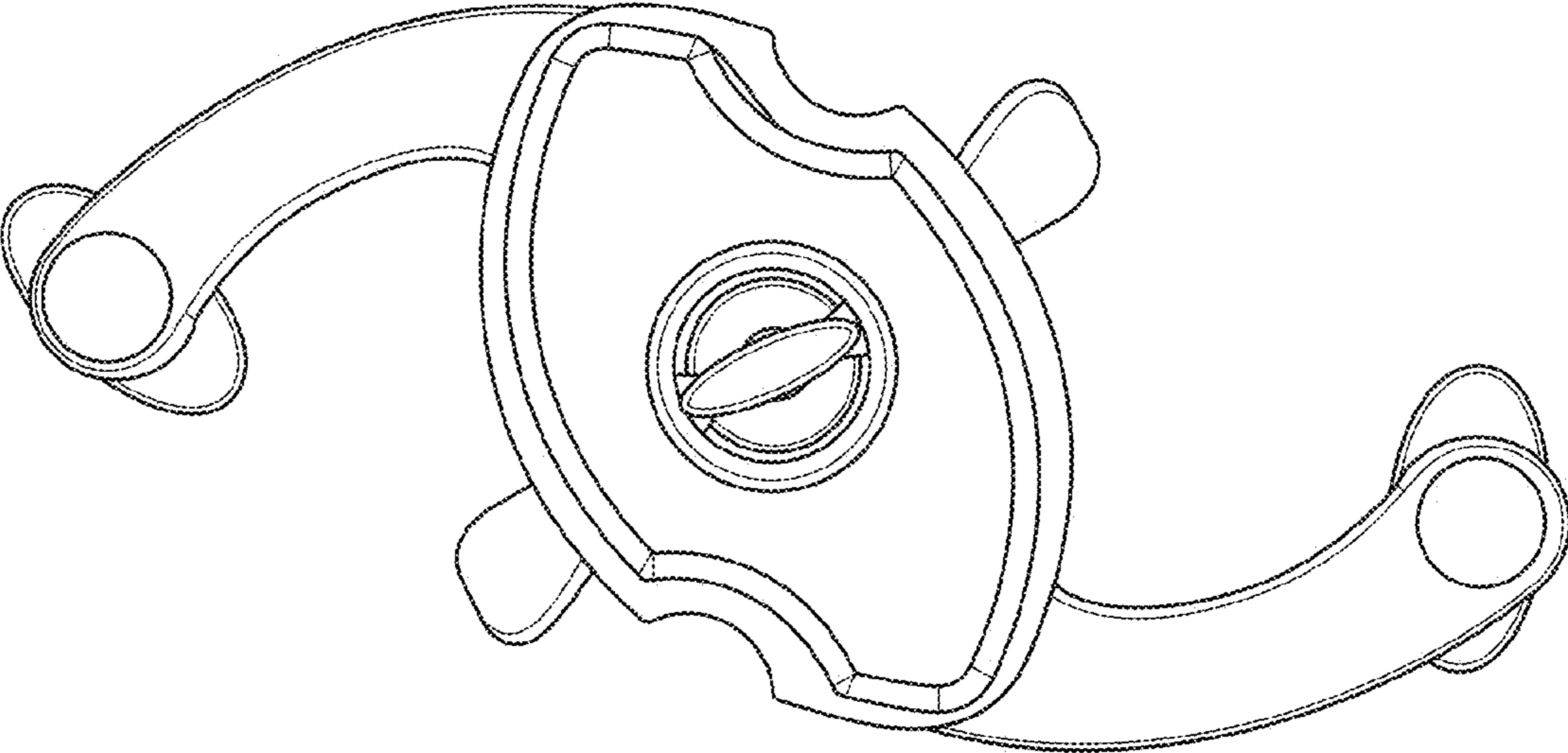


FIG. 3

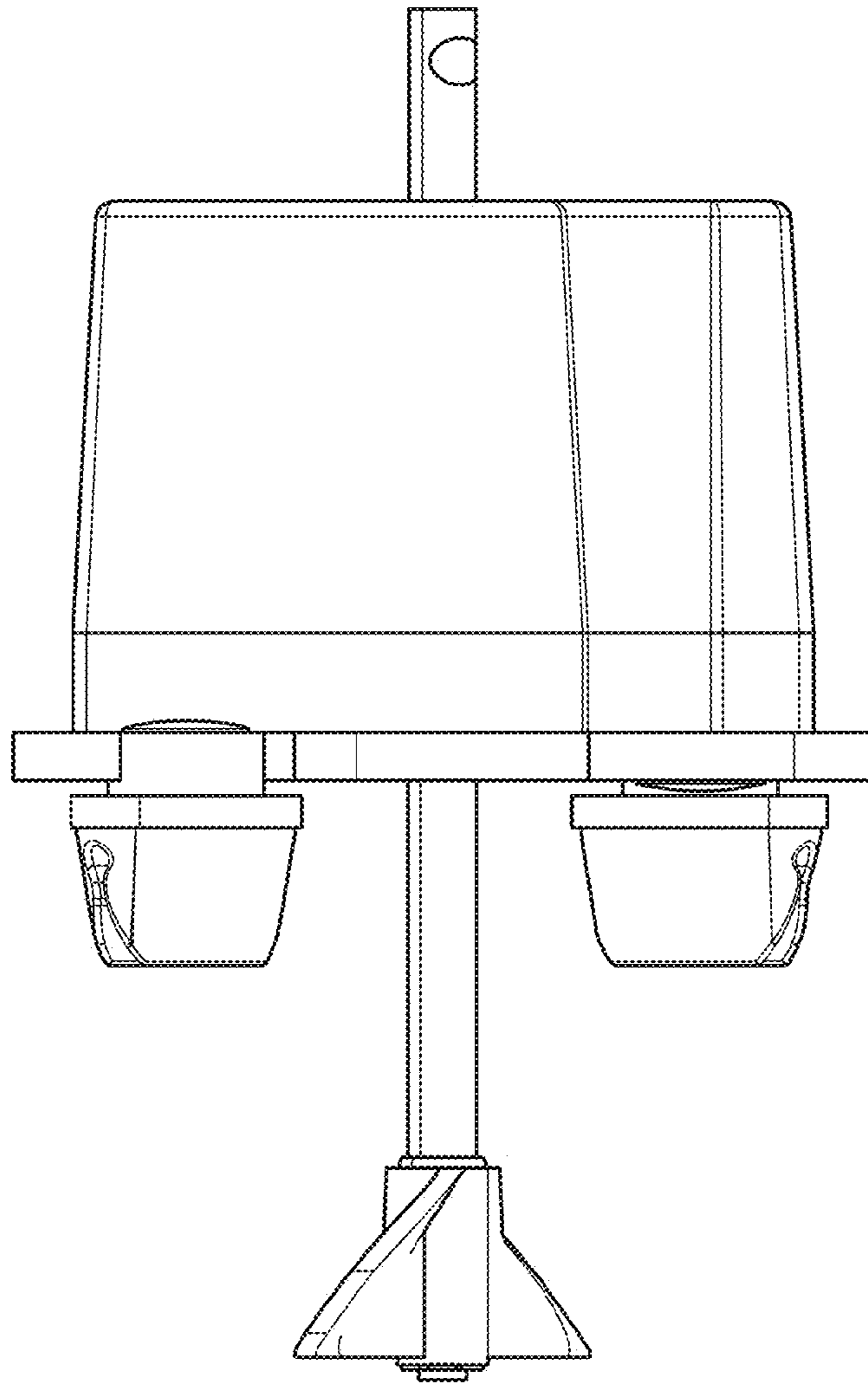


FIG. 4

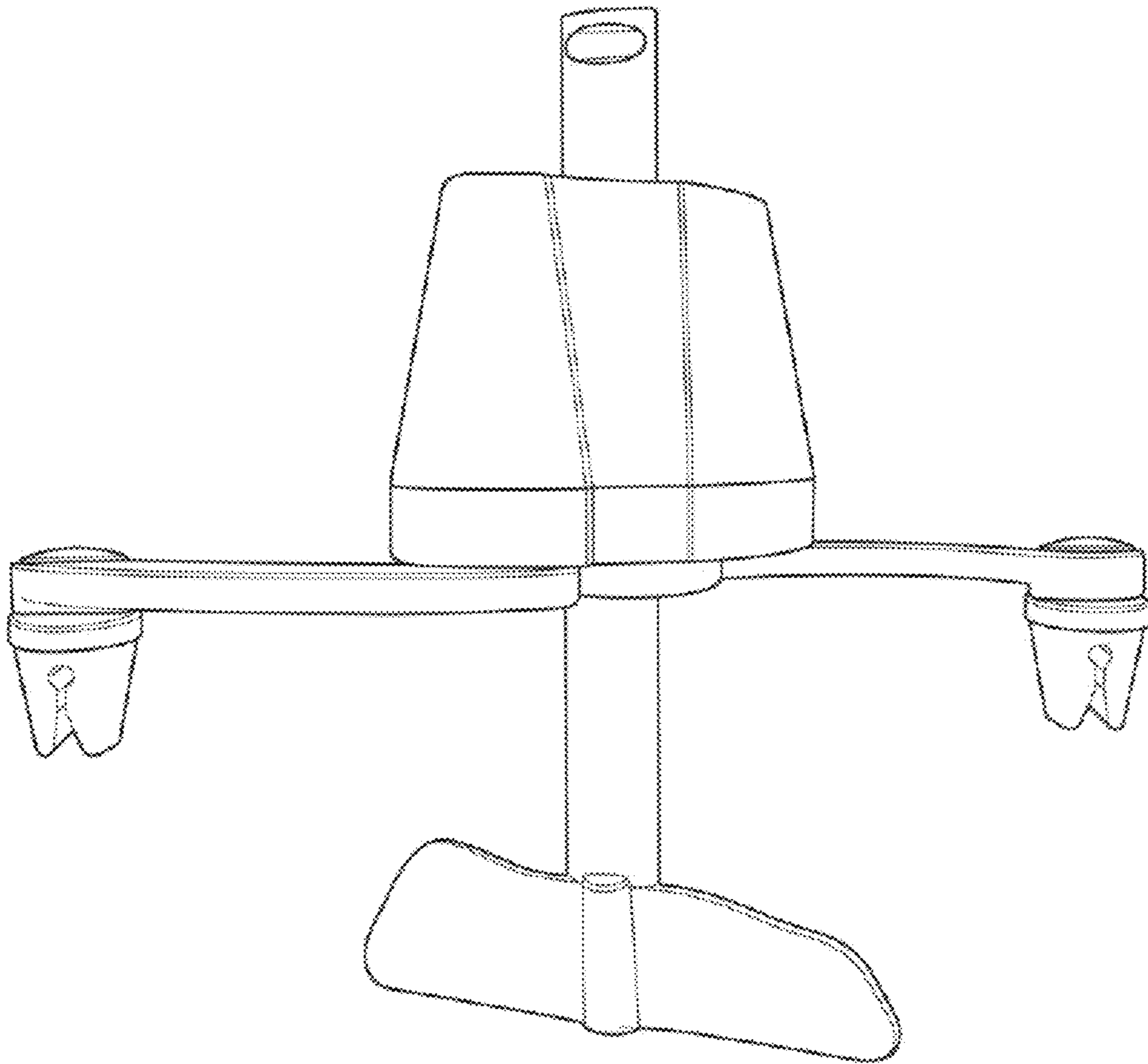


FIG. 5

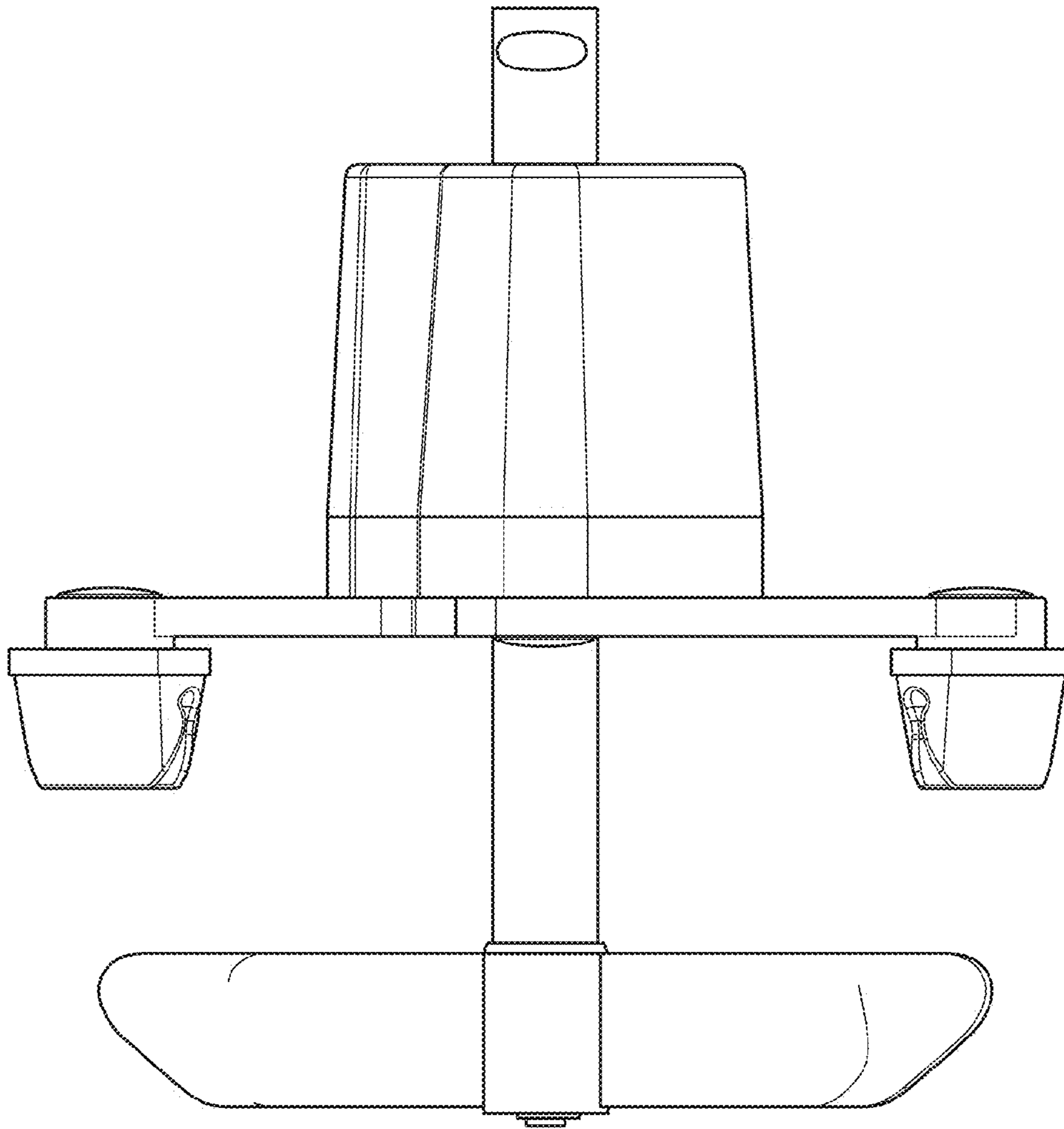


FIG. 6