



US00D733199S

(12) **United States Design Patent**  
**Kimmel et al.**

(10) **Patent No.:** **US D733,199 S**  
(45) **Date of Patent:** **\*\* Jun. 30, 2015**

(54) **LIQUID FUEL TORCH BURNER WITH INDENTED TOP**

(71) Applicant: **LAMPLIGHT FARMS INCORPORATED**, Menomonee Falls, WI (US)

(72) Inventors: **Adam S. Kimmel**, Union Grove, WI (US); **Ron White**, North Prairie, WI (US); **Richard Catalano**, Hartland, WI (US)

(73) Assignee: **Lamplight Farms Incorporated**, Menomonee Falls, WI (US)

(\*\*) Term: **14 Years**

(21) Appl. No.: **29/475,917**

(22) Filed: **Dec. 9, 2013**

(51) **LOC (10) Cl.** ..... **15-09**

(52) **U.S. Cl.**  
USPC ..... **D15/144; D26/8**

(58) **Field of Classification Search**  
USPC ..... D26/8, 16, 116, 128; D15/144, 144.1, D15/144.2

See application file for complete search history.

(56) **References Cited**

**U.S. PATENT DOCUMENTS**

243,134 A	6/1881	Hinrichs et al.	
1,420,696 A *	6/1922	Groehn	431/237
1,420,697 A *	6/1922	Groehn	431/243
1,705,877 A	3/1929	Ramsey	
2,014,130 A *	9/1935	Embury et al.	431/314
2,093,274 A *	9/1937	Horsley	431/310
2,122,624 A	7/1938	Sauer	
2,313,784 A	3/1943	Then	
D142,255 S *	8/1945	Frost	D7/667
2,684,182 A	7/1954	Gey	
2,836,043 A	5/1958	Spethmann	
D205,678 S *	9/1966	Williams	D7/700
3,364,704 A	1/1968	Bernstein	
D219,062 S	10/1970	Kozoil	

(Continued)

**FOREIGN PATENT DOCUMENTS**

CN 101545583 9/2011  
WO WO2004108219 12/2004

**OTHER PUBLICATIONS**

Pipe-Line Denmark, "The Torch Master Brochure", Publisher: <http://www.pipe-line.dk/pdf/English2007WEB.pdf>.

*Primary Examiner* — Patricia Palasik

(74) *Attorney, Agent, or Firm* — Fellers, Snider, Blankenship, Bailey & Tippens, P.C.

(57) **CLAIM**

The ornamental design for a liquid fuel torch burner with indented top, as shown and described.

**DESCRIPTION**

FIG. 1 is a perspective view of the torch burner of the present disclosure.

FIG. 2 is a level side view of the torch burner of the present disclosure.

FIG. 3 is a level side view of the torch burner of the present disclosure opposite the view of FIG. 2.

FIG. 4 is a level side view of the torch burner of the present disclosure rotated ninety degrees to the left from the view of FIG. 2.

FIG. 5 is a level side view of the torch burner of the present disclosure opposite the view of FIG. 4.

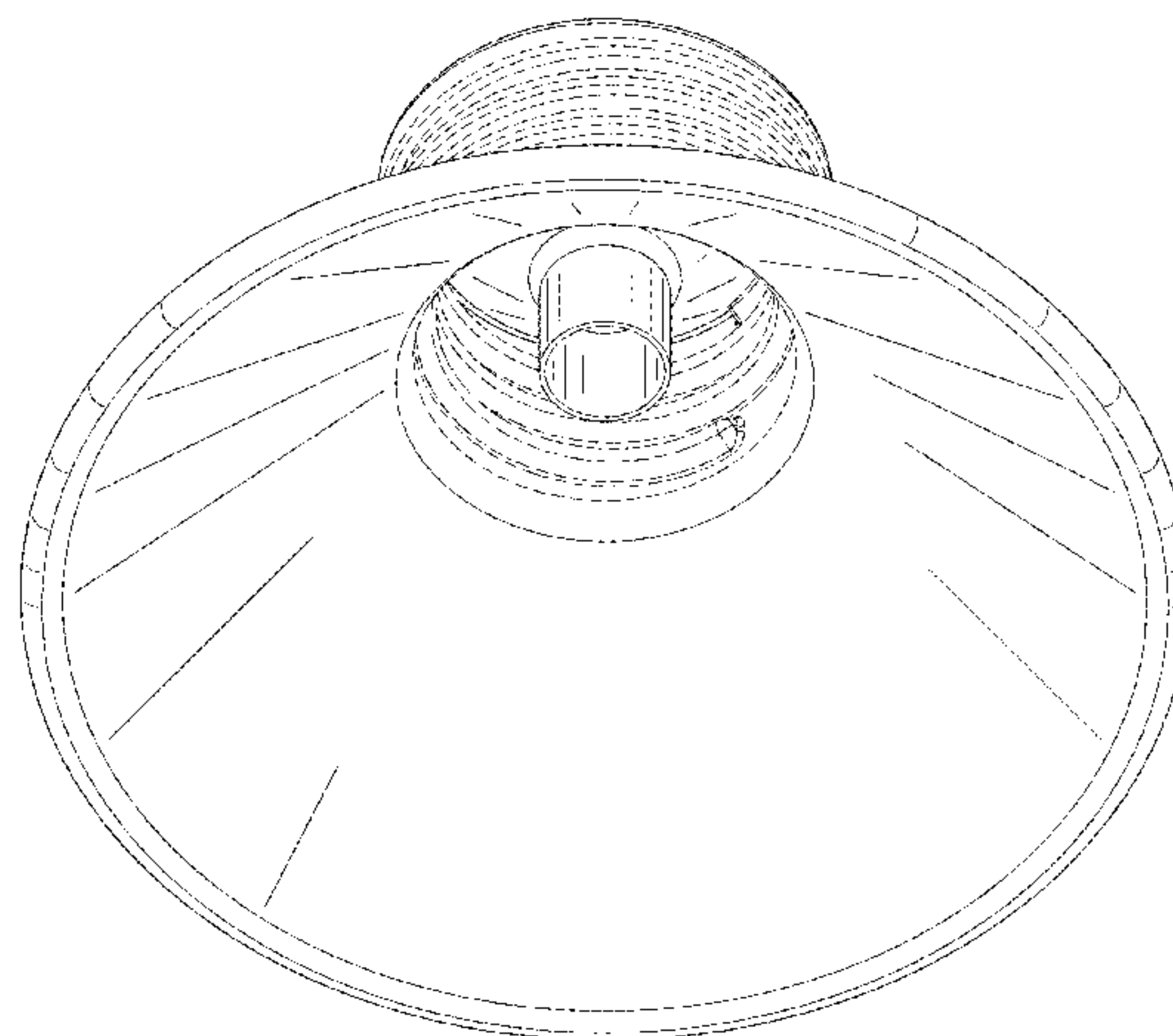
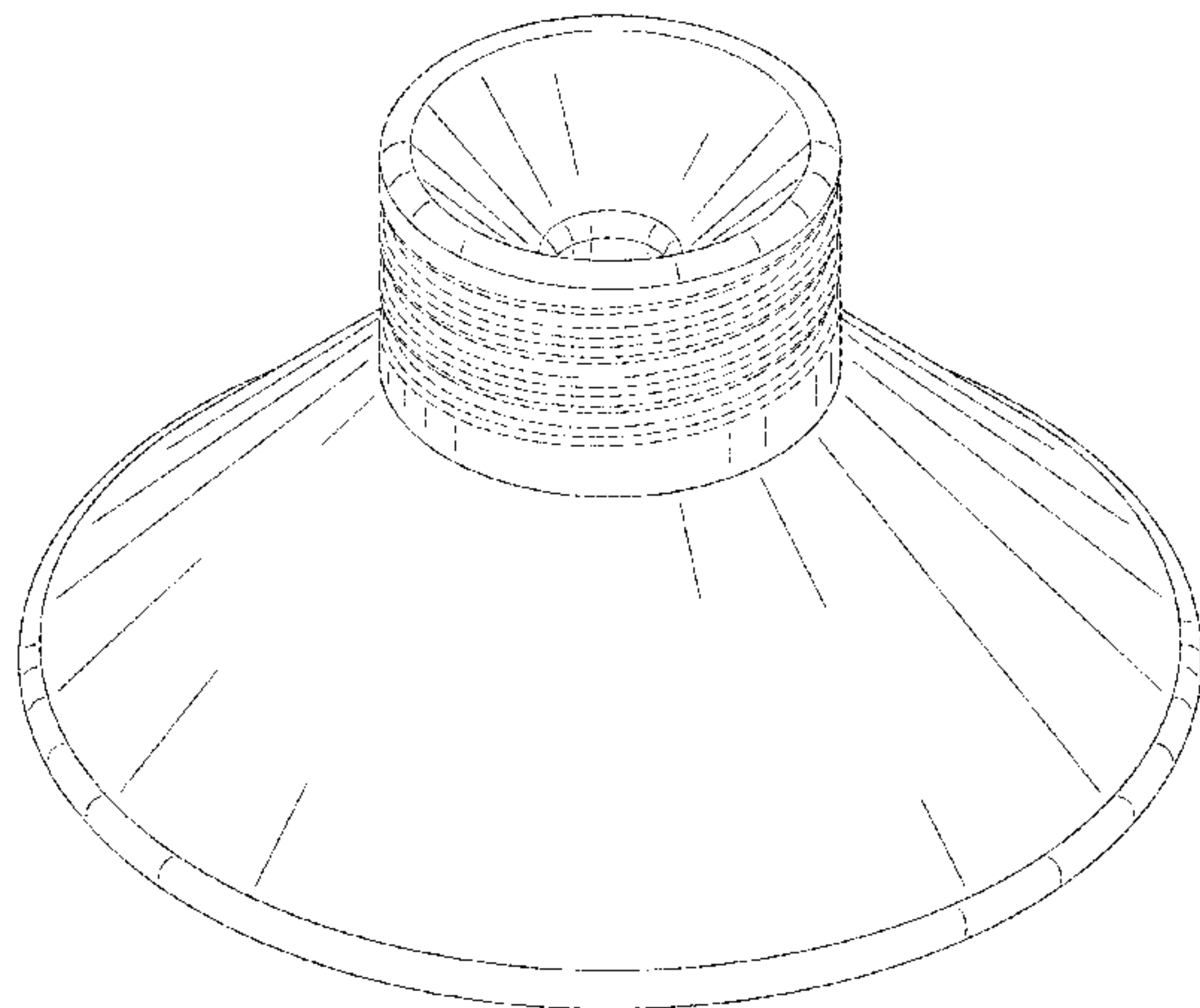
FIG. 6 is a superior view of the torch burner of the present disclosure.

FIG. 7 is an inferior view of the torch burner of the present disclosure; and,

FIG. 8 is an inferior perspective view the torch burner of the present disclosure.

The broken lines in the Figures are for the purpose of illustrating the environment in which the design is associated and form no part of the claimed design.

**1 Claim, 6 Drawing Sheets**



(56)

References Cited

U.S. PATENT DOCUMENTS

D225,674 S	12/1972	Reese			
3,727,810 A	4/1973	Douty			
D228,022 S *	7/1973	Sietmann .....	D7/412		
3,811,817 A *	5/1974	Mansnerus et al. ....	431/126		
D262,999 S	2/1982	Spencer			
4,477,247 A	10/1984	Kumasaka			
4,511,952 A *	4/1985	Vanbragt .....	362/181		
4,815,426 A *	3/1989	Henschel .....	123/142.5 R		
D306,951 S *	4/1990	Brandstrom et al. ....	D23/200		
D309,241 S *	7/1990	Ayyoubi et al. ....	D23/200		
5,000,678 A *	3/1991	Thompson .....	431/320		
5,083,916 A	1/1992	Glennon et al.			
5,573,393 A *	11/1996	Tsai .....	431/255		
5,584,283 A	12/1996	Messina			
D380,946 S *	7/1997	Peaphon .....	D8/1		
D404,507 S	1/1999	Palmer et al.			
6,010,332 A	1/2000	Lee et al.			
6,345,978 B1	2/2002	Lu			
6,435,694 B1	8/2002	Bell et al.			
6,482,365 B1	11/2002	Soller			
6,539,991 B1 *	4/2003	Ackerman .....	141/331		
6,663,258 B1	12/2003	Kanter			
6,780,382 B2	8/2004	Furner et al.			
		6,802,707 B2	10/2004	Furner et al.	
		6,857,869 B1	2/2005	Sun	
		7,040,889 B2 *	5/2006	Tsai .....	431/255
		7,090,142 B2 *	8/2006	Rantzen .....	237/46
		7,156,653 B1	1/2007	DeMars	
		7,232,550 B1	6/2007	Rodgers et al.	
		7,247,017 B2	7/2007	Furner	
		D589,764 S *	4/2009	Randolph .....	D7/700
		D606,373 S *	12/2009	McCaffery et al. ....	D7/700
		D629,269 S *	12/2010	Okamoto .....	D7/700
		D679,048 S	3/2013	White	
		8,435,029 B2	5/2013	Masterson et al.	
		8,439,669 B2	5/2013	Masterson et al.	
		8,550,813 B2	10/2013	Masterson et al.	
		2002/0164554 A1	11/2002	Kisch et al.	
		2004/0229180 A1	11/2004	Furner	
		2006/0057530 A1	3/2006	Kuricek et al.	
		2006/0144599 A1	7/2006	Leinemann	
		2006/0199129 A1	9/2006	Konkle, Jr.	
		2006/0251997 A1	11/2006	Schulte et al.	
		2007/0015097 A1	1/2007	Baker	
		2009/0294553 A1	12/2009	Wang et al.	
		2010/0112503 A1	5/2010	Masterson	
		2013/0027918 A1	1/2013	White	
		2013/0323659 A1	12/2013	White	

\* cited by examiner

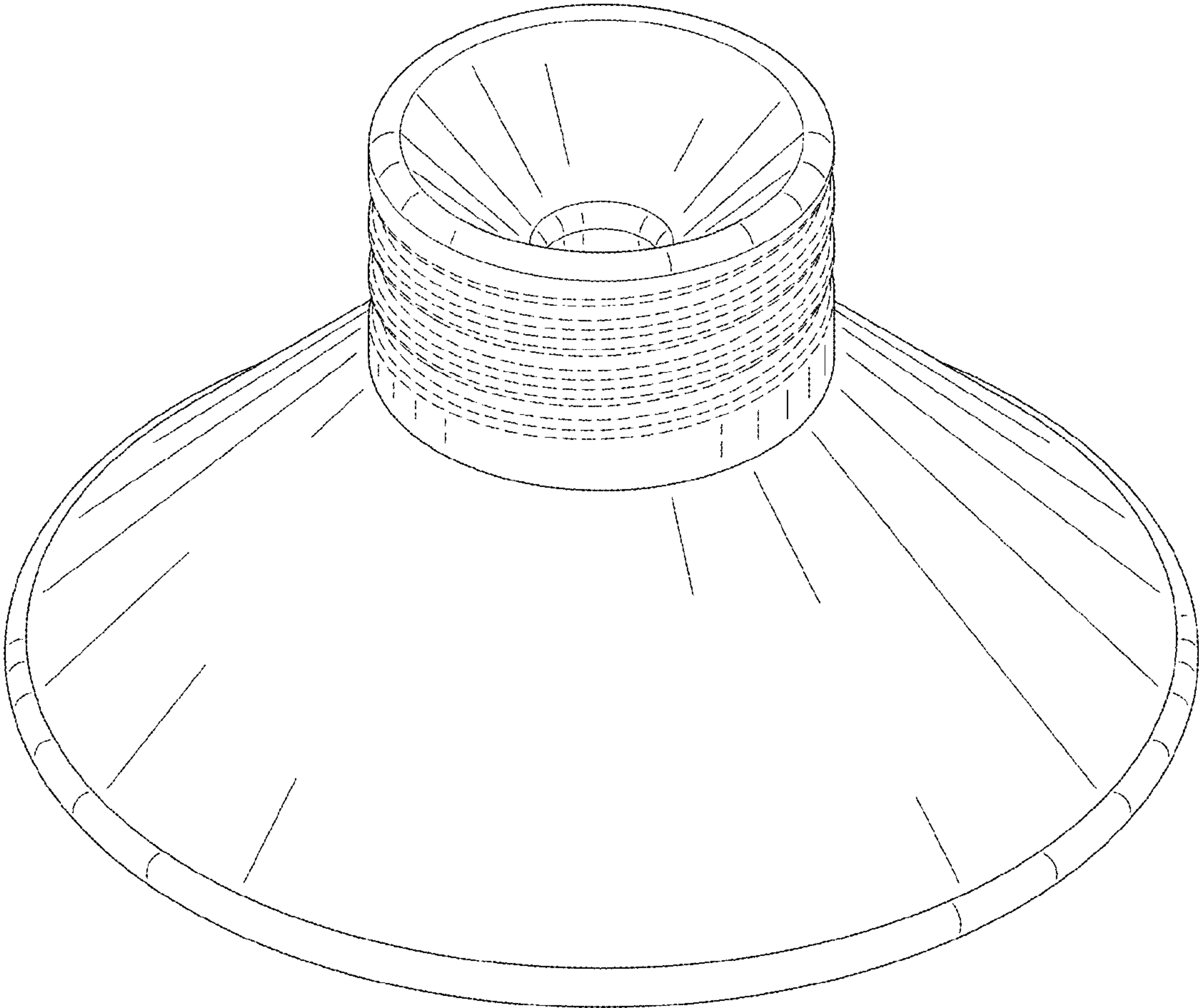


FIG. 1

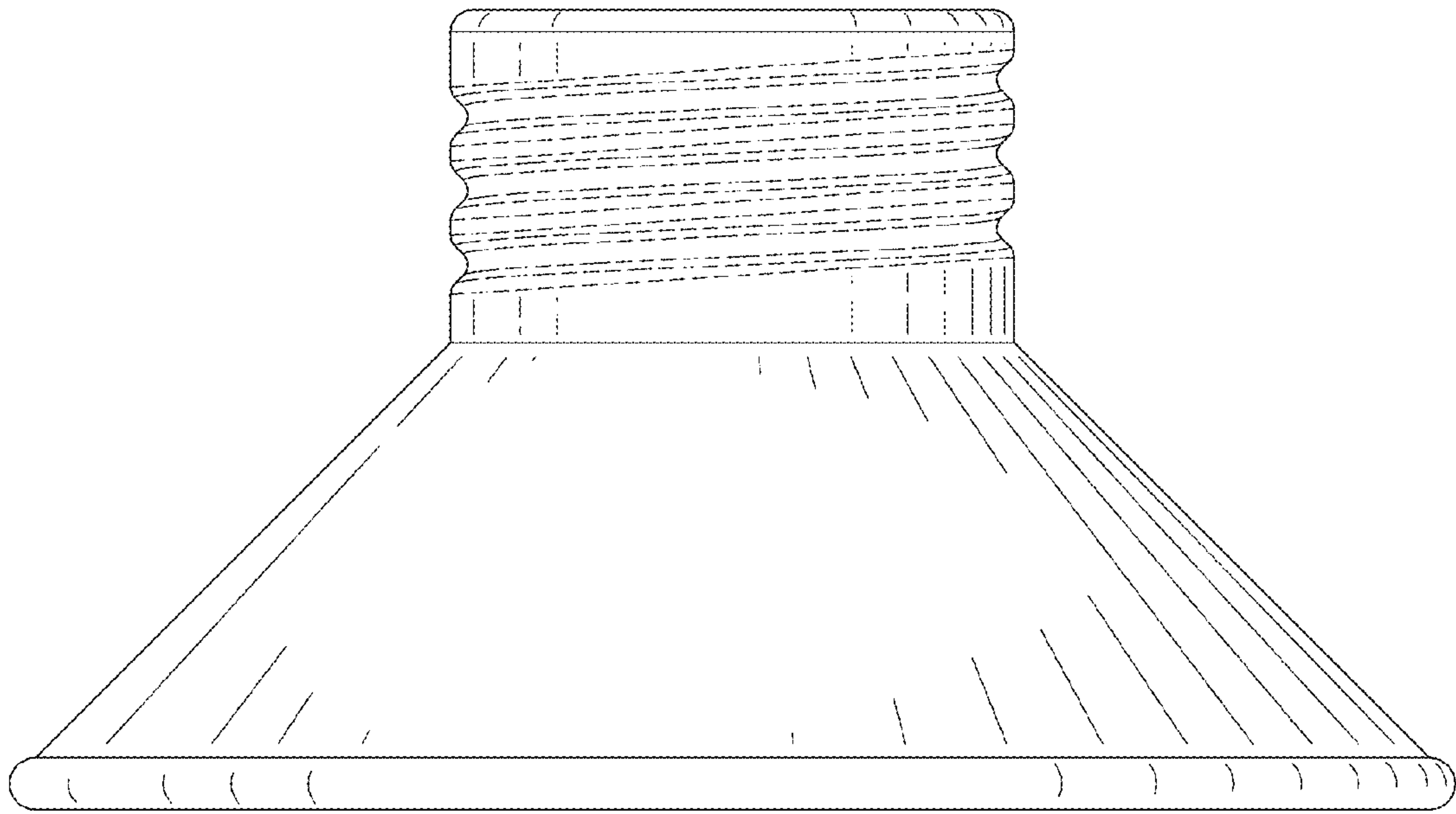


FIG. 2

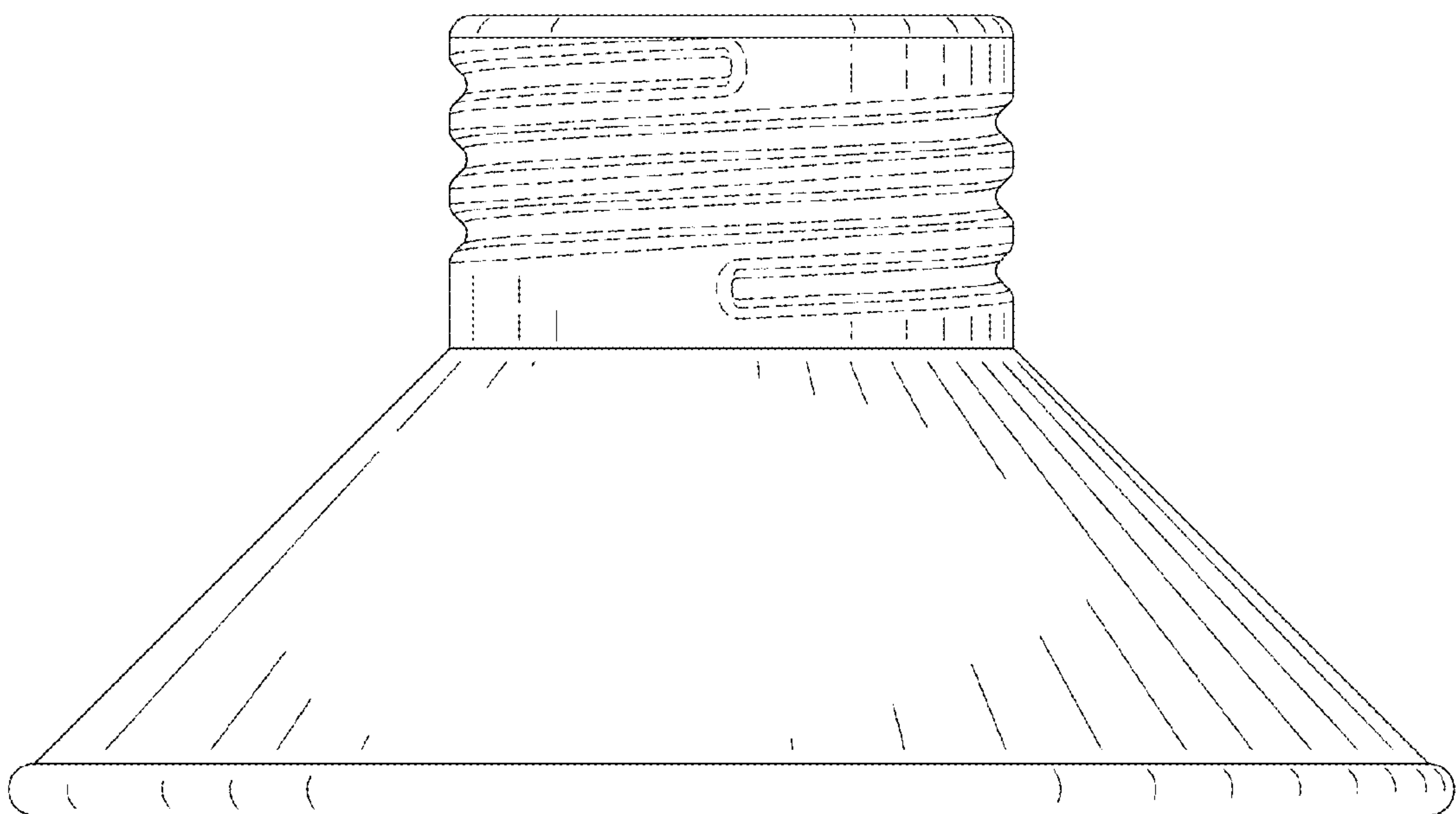


FIG. 3



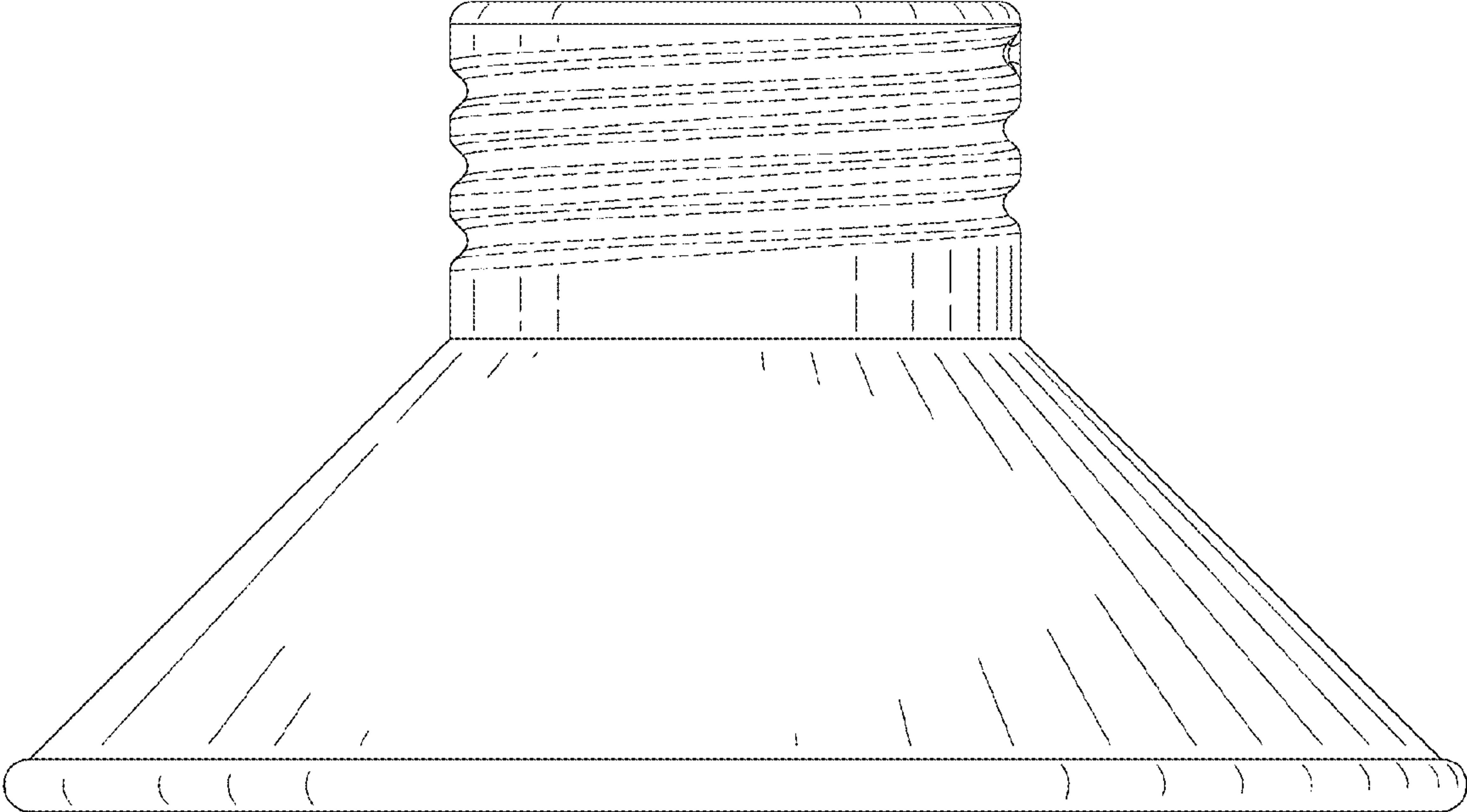


FIG. 4

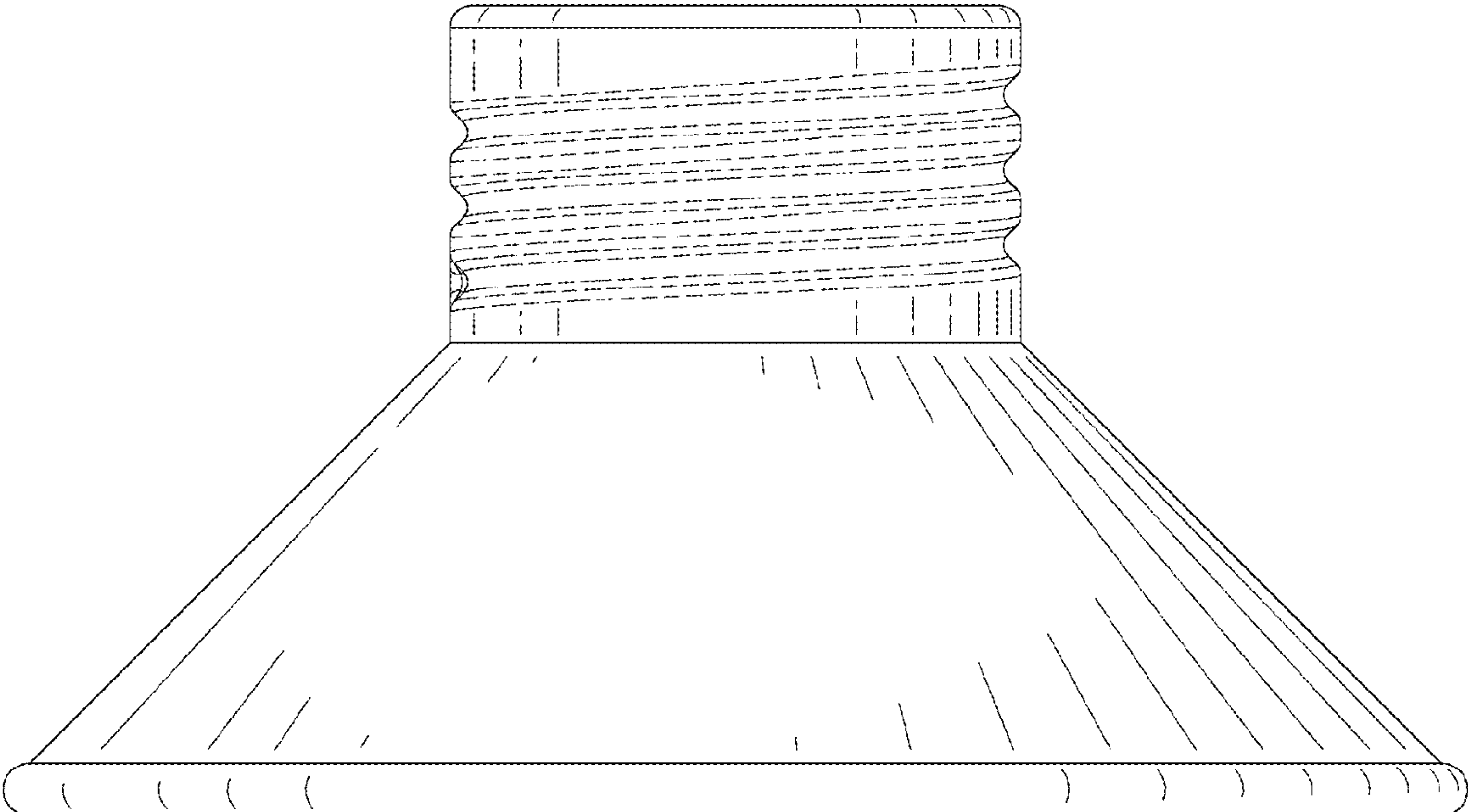


FIG. 5

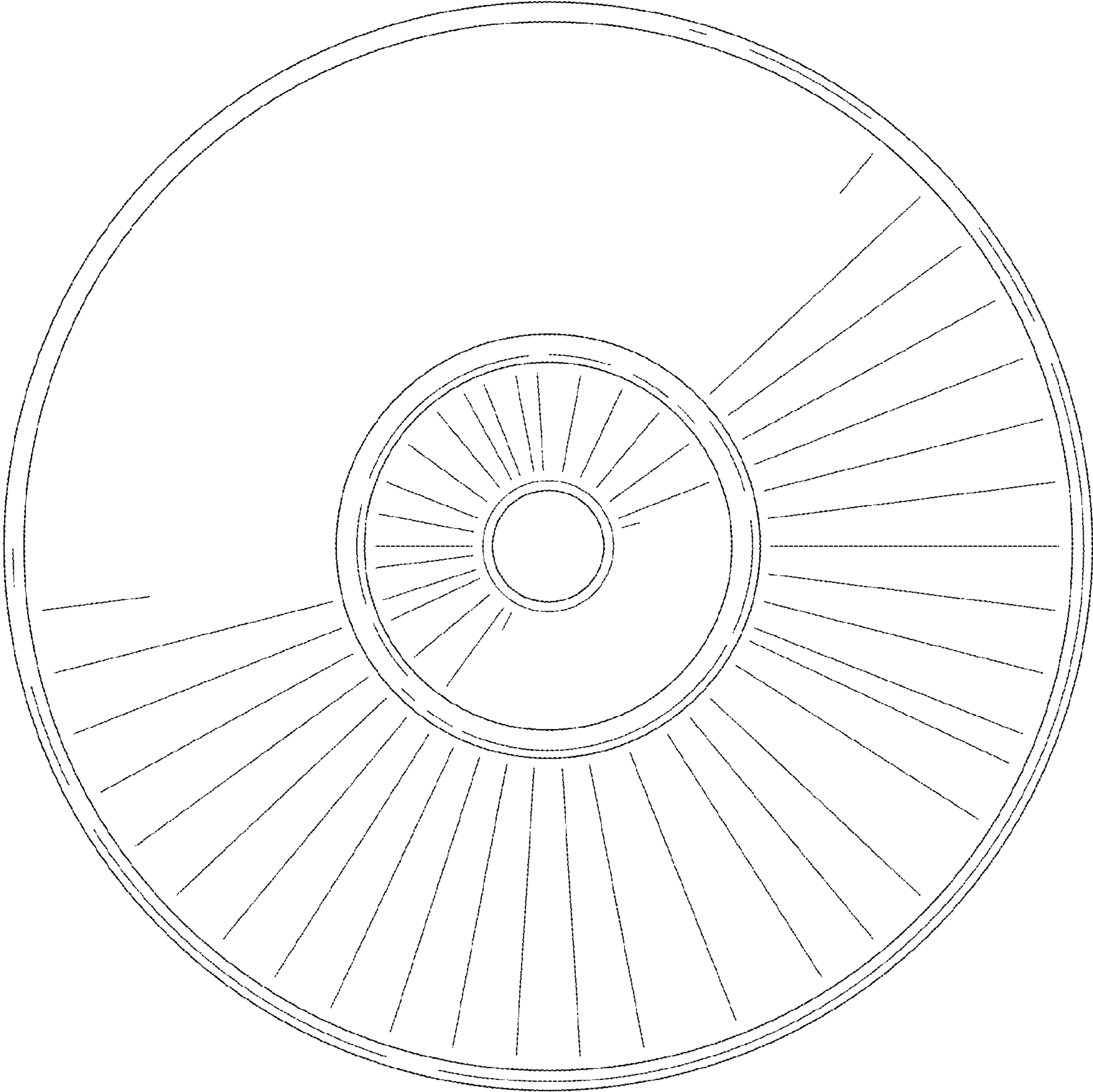


FIG. 6

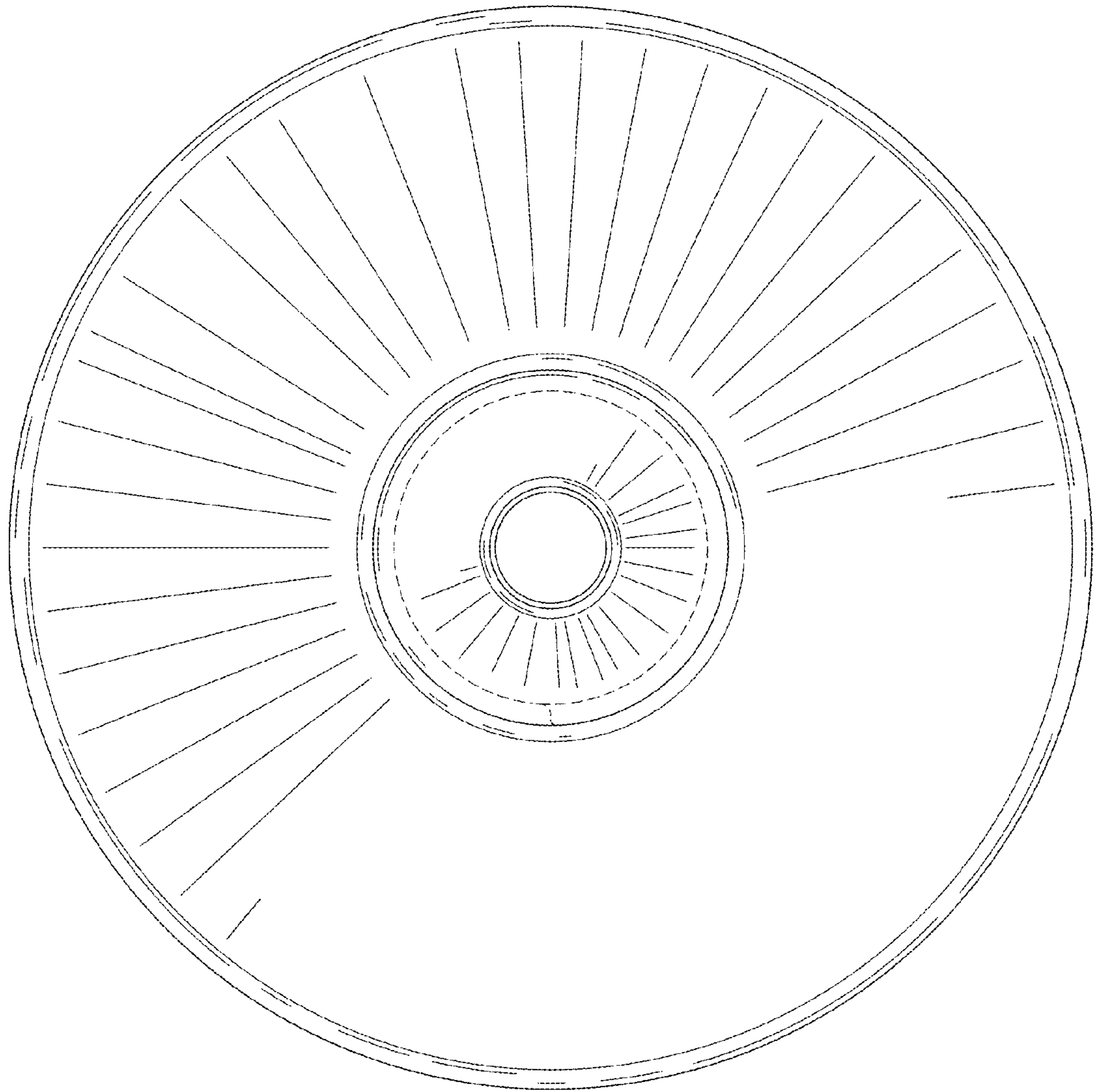


FIG. 7

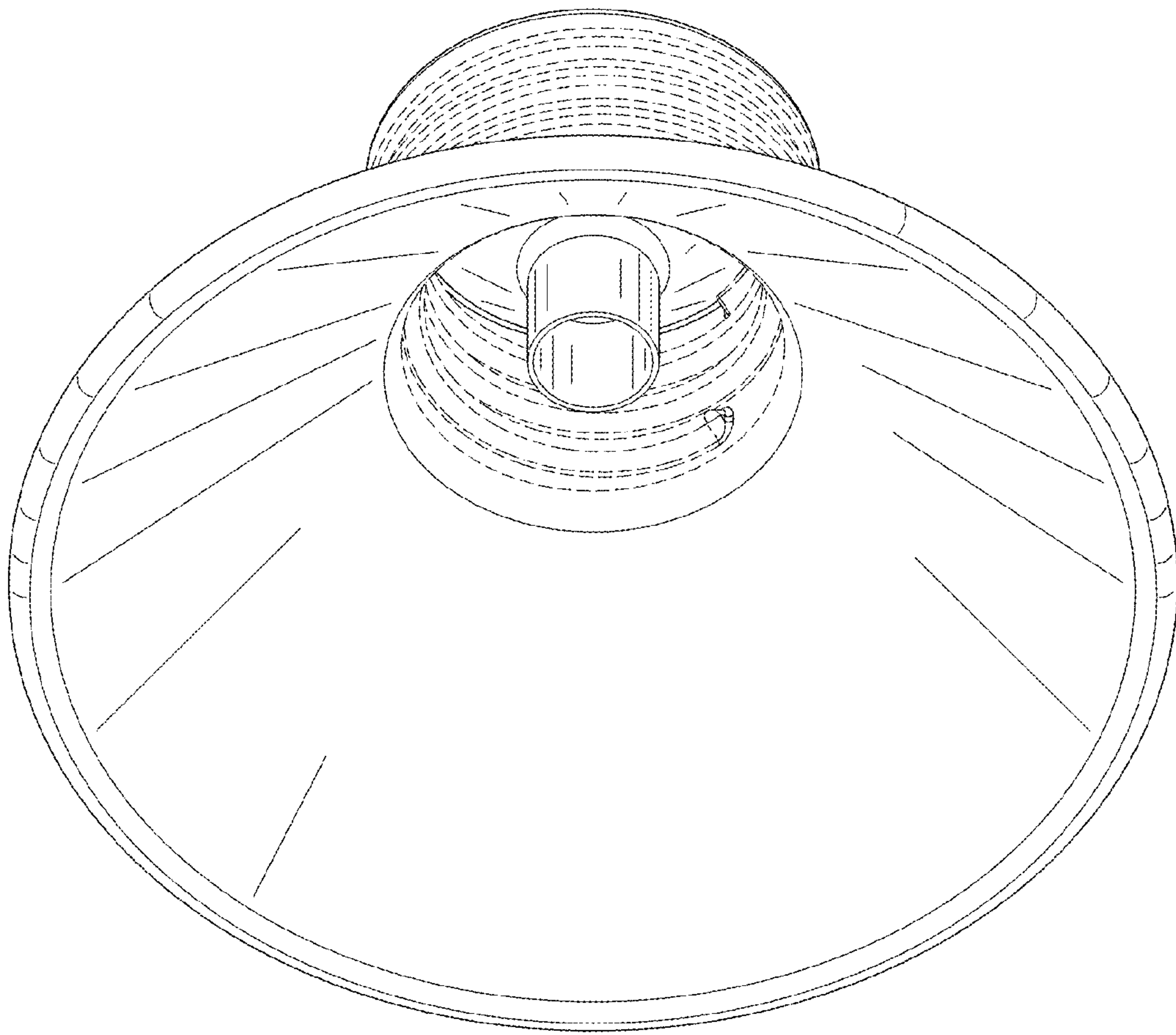


FIG. 8