



US00D733198S

(12) **United States Design Patent**  
**Chappel**

(10) **Patent No.:** **US D733,198 S**

(45) **Date of Patent:** **\*\* Jun. 30, 2015**

(54) **SET OF SIX COMPONENTS OF A COLLAPSIBLE CORE OF A MOLD**

(71) Applicant: **Paradise Mold and Die LLC**,  
Cleveland, OH (US)

(72) Inventor: **Richard Chappel**, Independence, OH  
(US)

(73) Assignee: **PARADISE MOLD AND DIE LLC**,  
Cleveland, OH (US)

(\*\*) Term: **14 Years**

(21) Appl. No.: **29/463,349**

(22) Filed: **Oct. 24, 2013**

(51) **LOC (10) Cl.** ..... **15-09**

(52) **U.S. Cl.**  
USPC ..... **D15/136**

(58) **Field of Classification Search**  
USPC ..... D15/35  
See application file for complete search history.

(56) **References Cited**

**U.S. PATENT DOCUMENTS**

D28,764 S *	5/1898	Burdick	.....	D15/135
D187,440 S *	3/1960	Tupper	.....	D15/90
D227,528 S *	7/1973	Wahl	.....	D8/382
3,843,088 A *	10/1974	McLoughlin et al.	.....	249/144
4,021,180 A	5/1977	Smith	.....	425/392
4,125,246 A *	11/1978	Von Holdt	.....	249/58
4,209,161 A	6/1980	Horvath	.....	249/180
4,286,766 A	9/1981	Von Holdt	.....	249/144
4,362,291 A	12/1982	Fuke et al.	.....	249/144
4,378,928 A *	4/1983	Kopp et al.	.....	249/63
4,385,877 A *	5/1983	Tanabe	.....	425/3
4,533,312 A *	8/1985	Von Holdt	.....	425/438
4,627,810 A	12/1986	Von Holdt	.....	425/557
4,919,608 A	4/1990	Catalanotti et al.	.....	425/556
4,938,679 A	7/1990	Pietrorazio	.....	425/437
5,219,594 A	6/1993	Meyer et al.	.....	425/577
5,387,389 A	2/1995	Catalanotti et al.	.....	264/318
5,403,179 A	4/1995	Ramsey	.....	425/577
5,622,736 A *	4/1997	Brown et al.	.....	425/556
5,624,694 A	4/1997	Delaby et al.	.....	425/577

5,630,977 A	5/1997	Catalanotti et al.	.....	264/318
5,700,415 A *	12/1997	Hiroki et al.	.....	264/318
6,099,785 A *	8/2000	Schweigert et al.	.....	264/328.1
6,506,330 B1 *	1/2003	Schweigert et al.	.....	264/318
D550,257 S *	9/2007	Schad et al.	.....	D15/135
D550,258 S *	9/2007	Schad et al.	.....	D15/135
7,293,341 B2	11/2007	Zydron	.....	29/450
D631,073 S *	1/2011	Papa et al.	.....	D15/135
8,002,538 B2	8/2011	Zydron	.....	425/417
D645,066 S *	9/2011	Sakae	.....	D15/136
D696,317 S *	12/2013	Carper	.....	D15/136
8,602,768 B2 *	12/2013	Antonana Gastesi et al.	.....	425/438

\* cited by examiner

*Primary Examiner* — Patricia Palasik

(74) *Attorney, Agent, or Firm* — David A. Burge

(57) **CLAIM**

I claim the ornamental design for a set of six components of a collapsible core of a mold, as shown and described.

**DESCRIPTION**

FIG. 1 is an exploded perspective view of a set of six components of a collapsible core of a mold showing my new design;

FIG. 2 is a perspective view of the set of six collapsible core components shown assembled;

FIG. 3 is a rear view of one of three identical smaller components of the set;

FIG. 4 is a front view thereof;

FIG. 5 is a right side view thereof, it being understood that a left side view is a mirror image thereof;

FIG. 6 is a top view thereof;

FIG. 7 is a bottom view thereof;

FIG. 8 is a rear view of one of three identical larger components of the set;

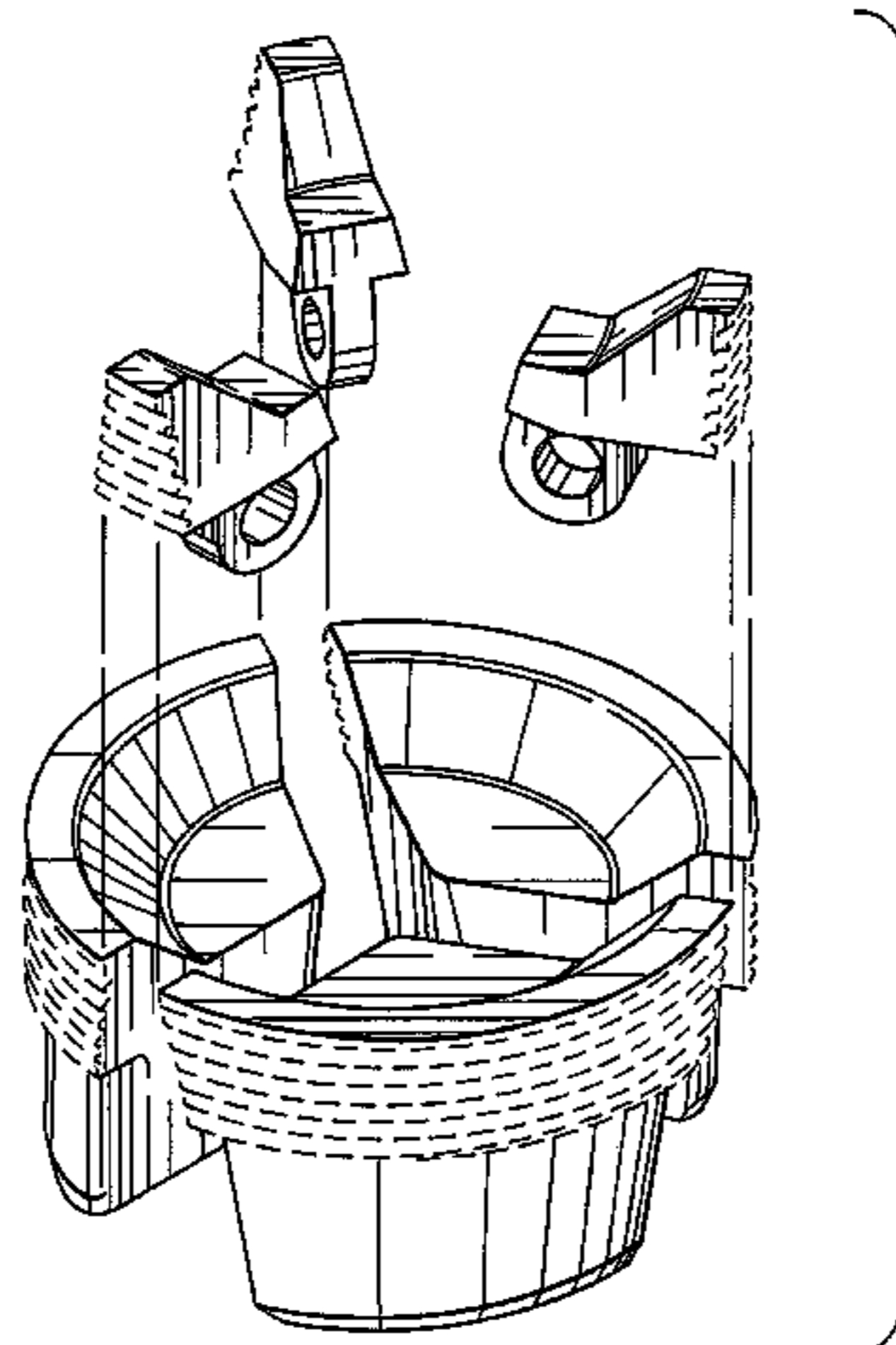
FIG. 9 is a front view thereof;

FIG. 10 is a right side view thereof, it being understood that a left side view is a mirror image thereof;

FIG. 11 is a top view thereof; and,

FIG. 12 is a bottom view thereof.

**1 Claim, 4 Drawing Sheets**



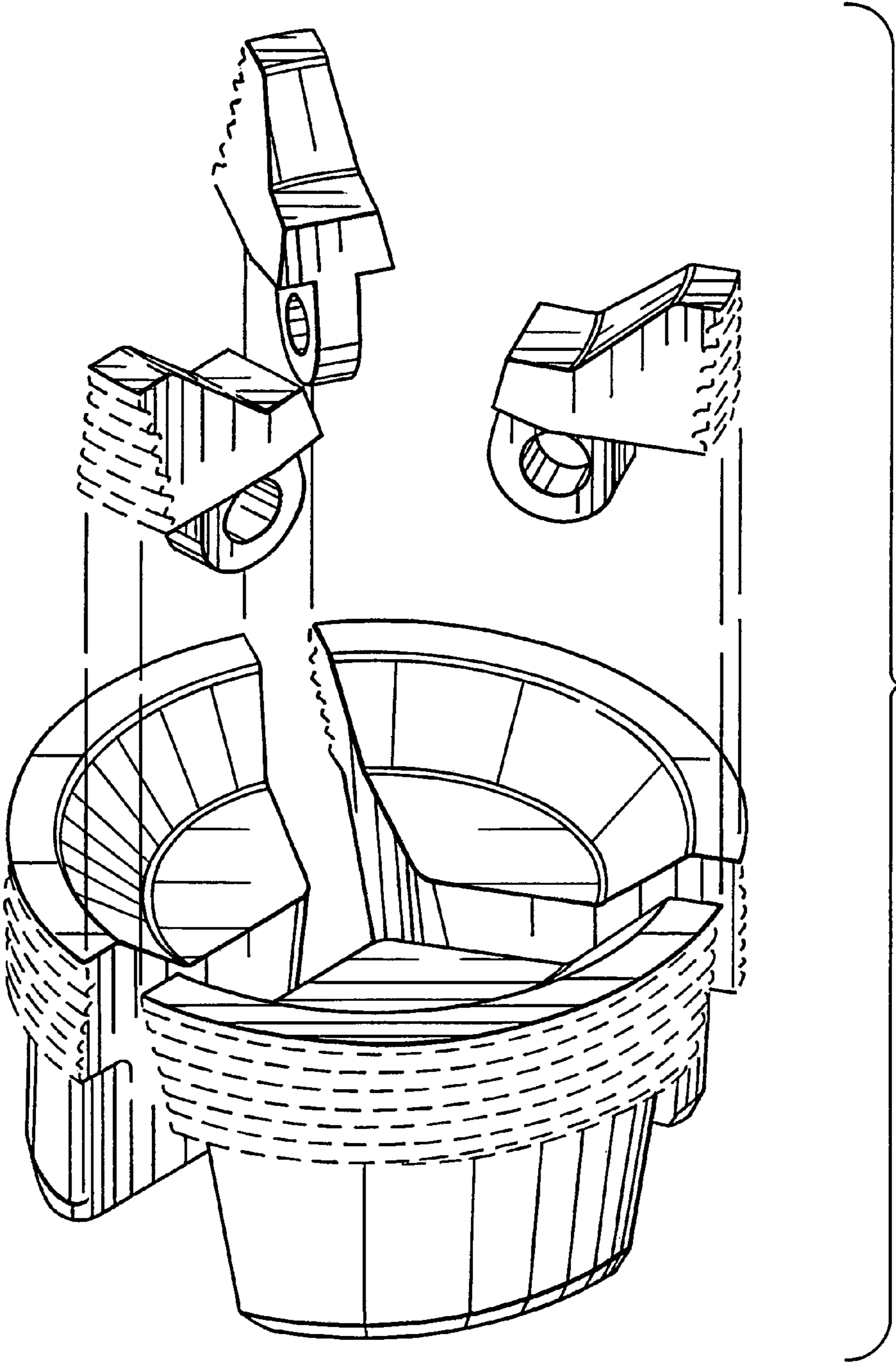


FIG. 1

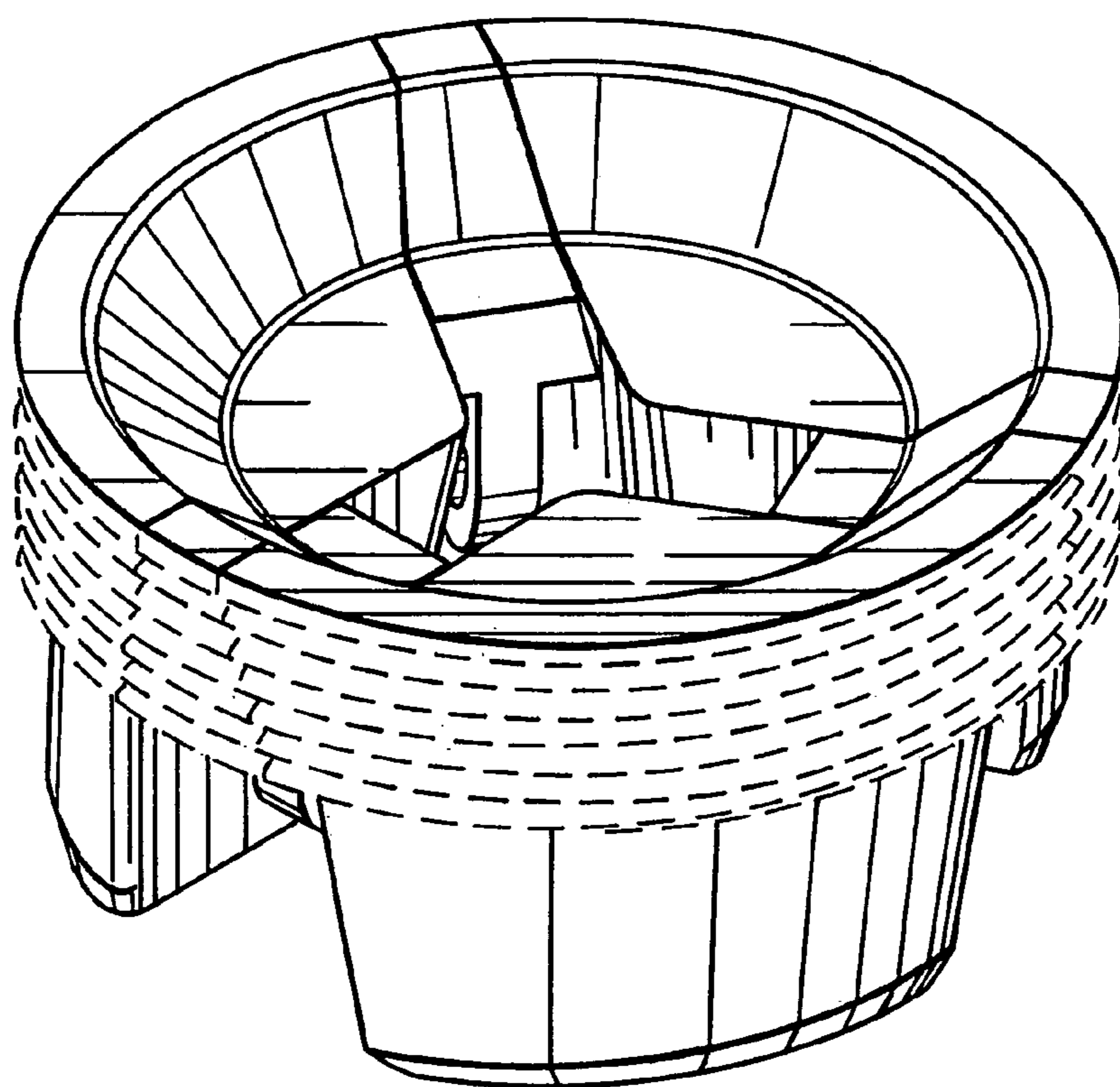


FIG. 2

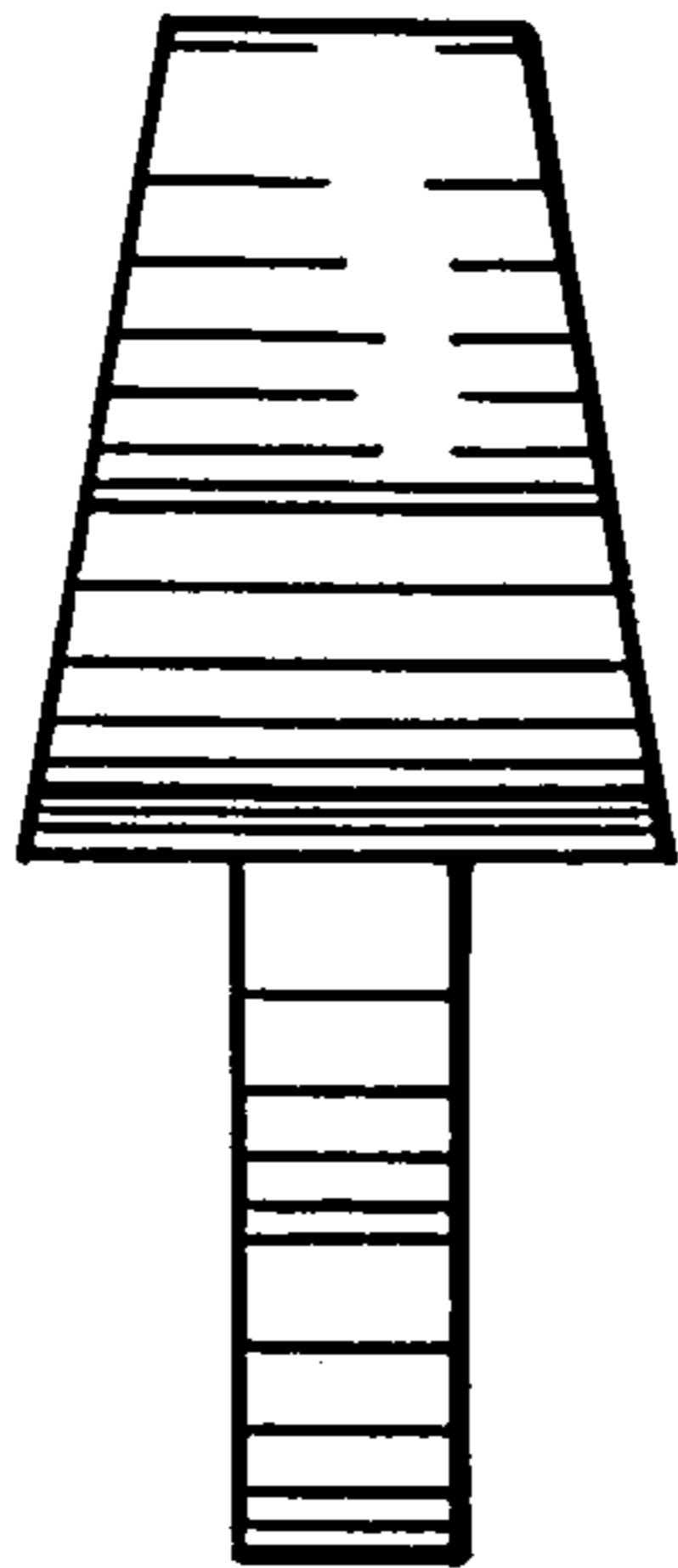


FIG. 3

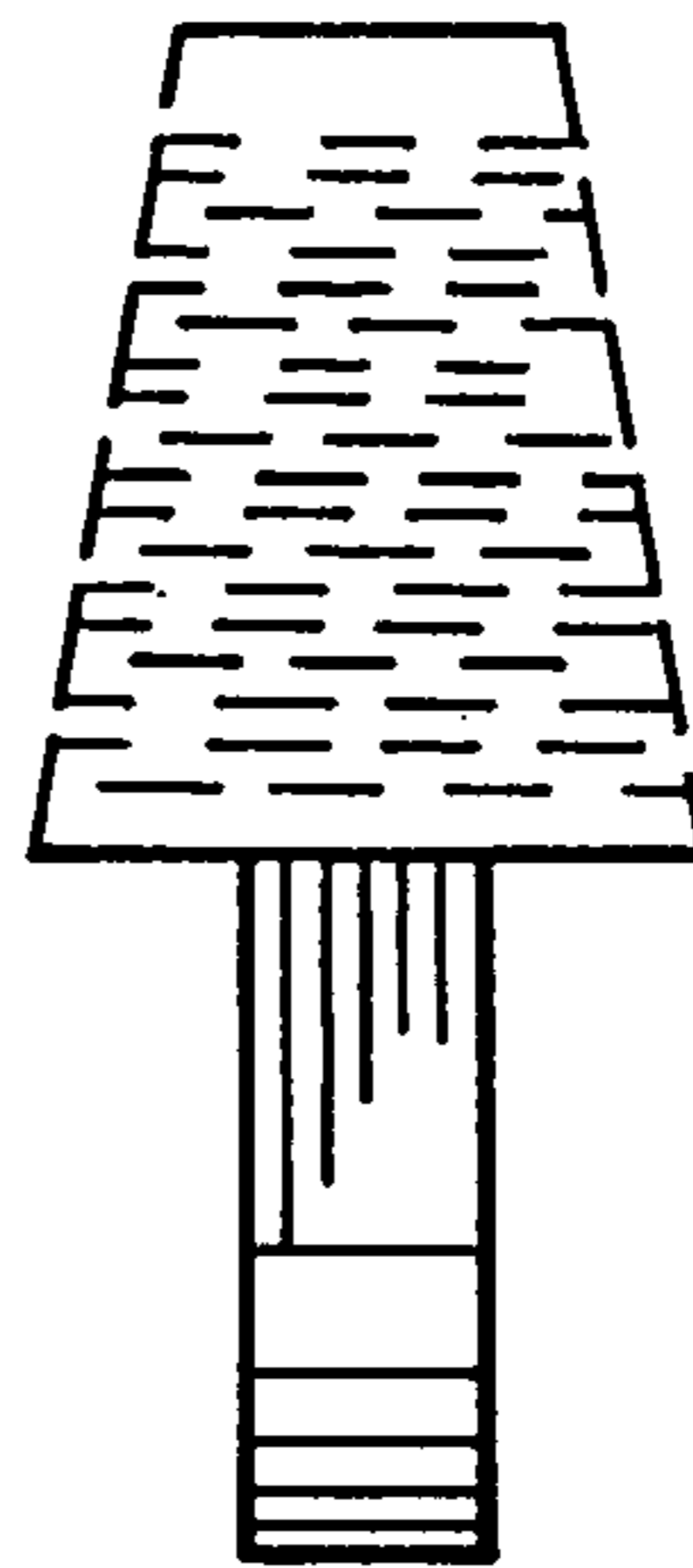


FIG. 4

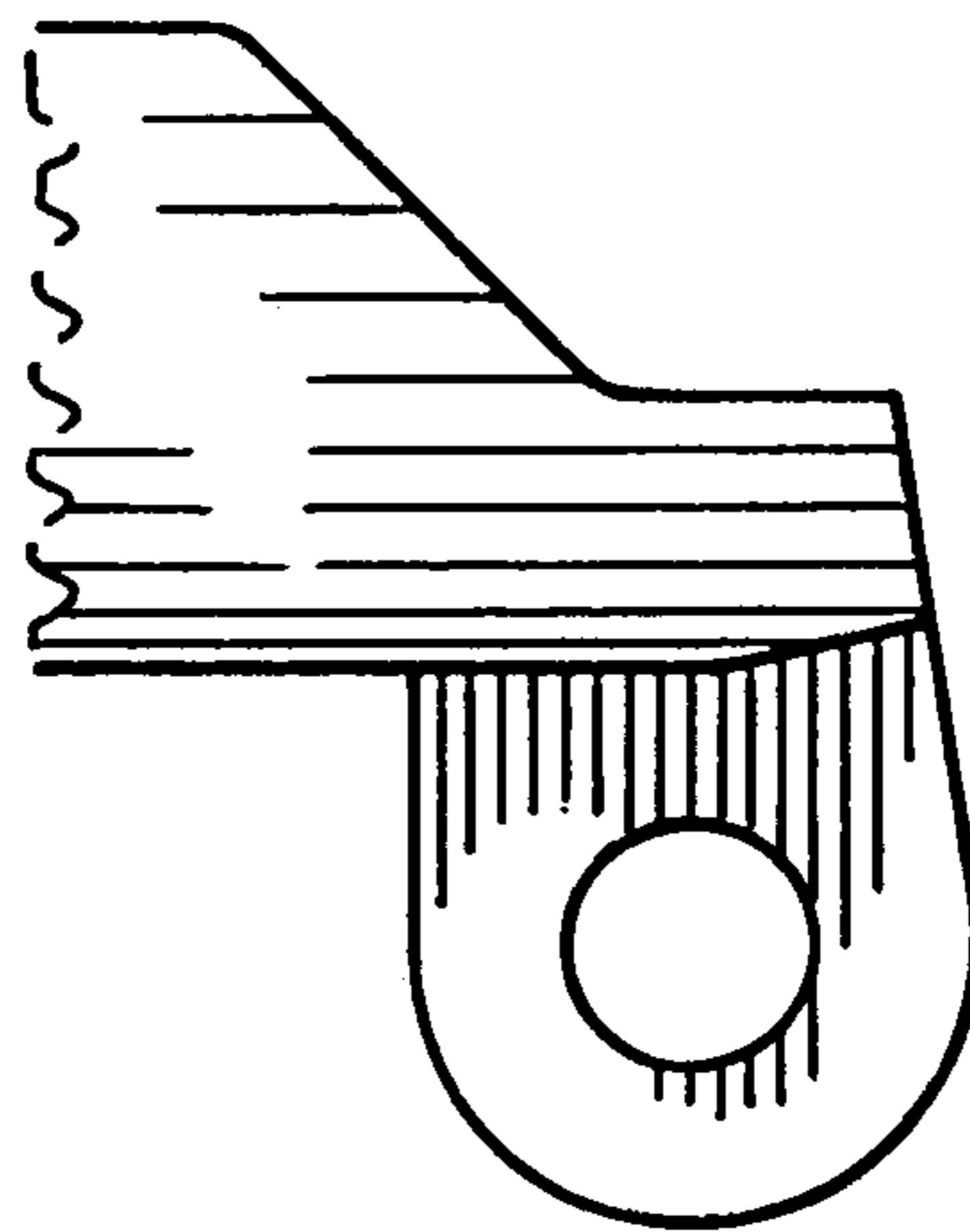


FIG. 5

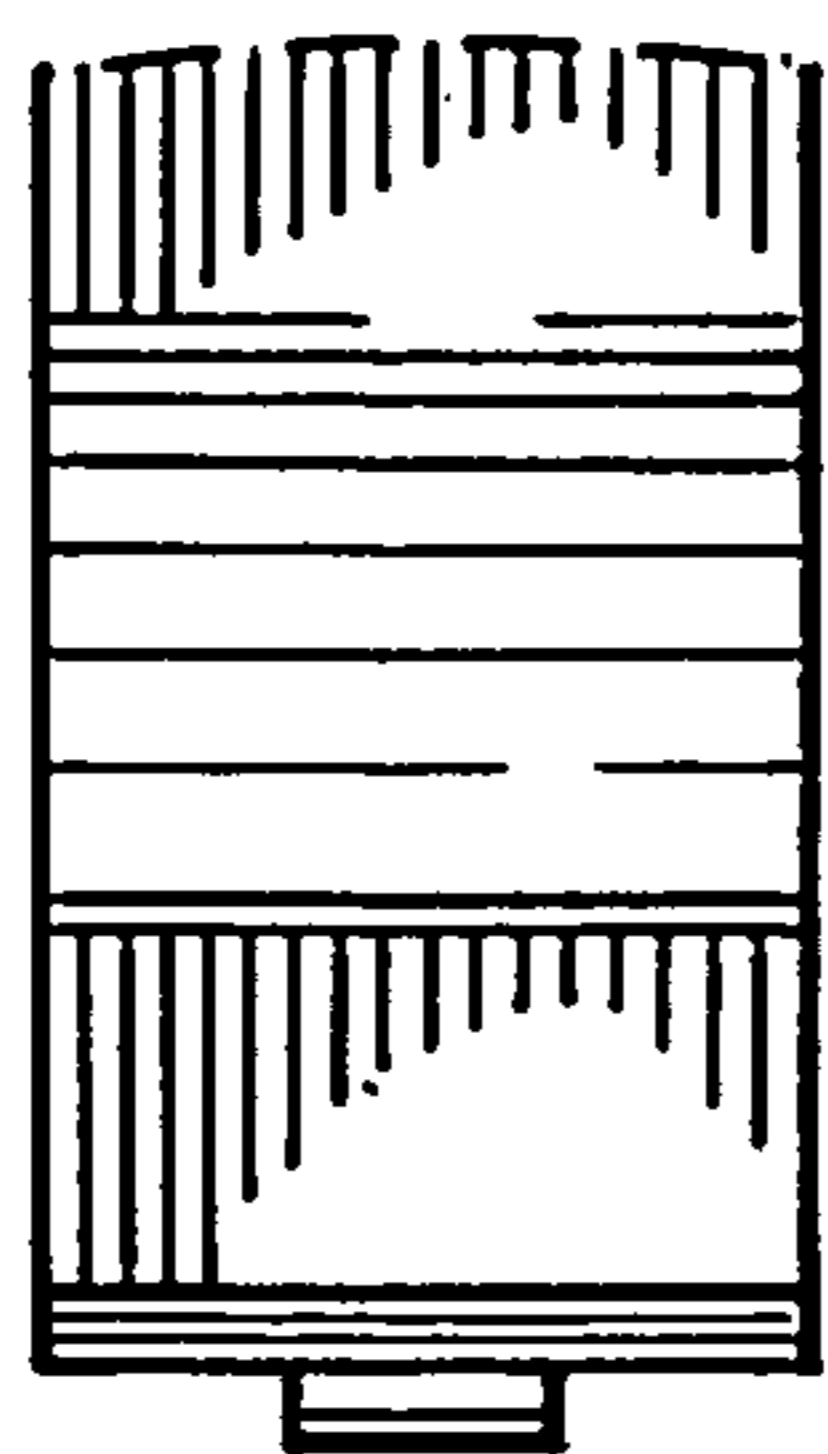


FIG. 6

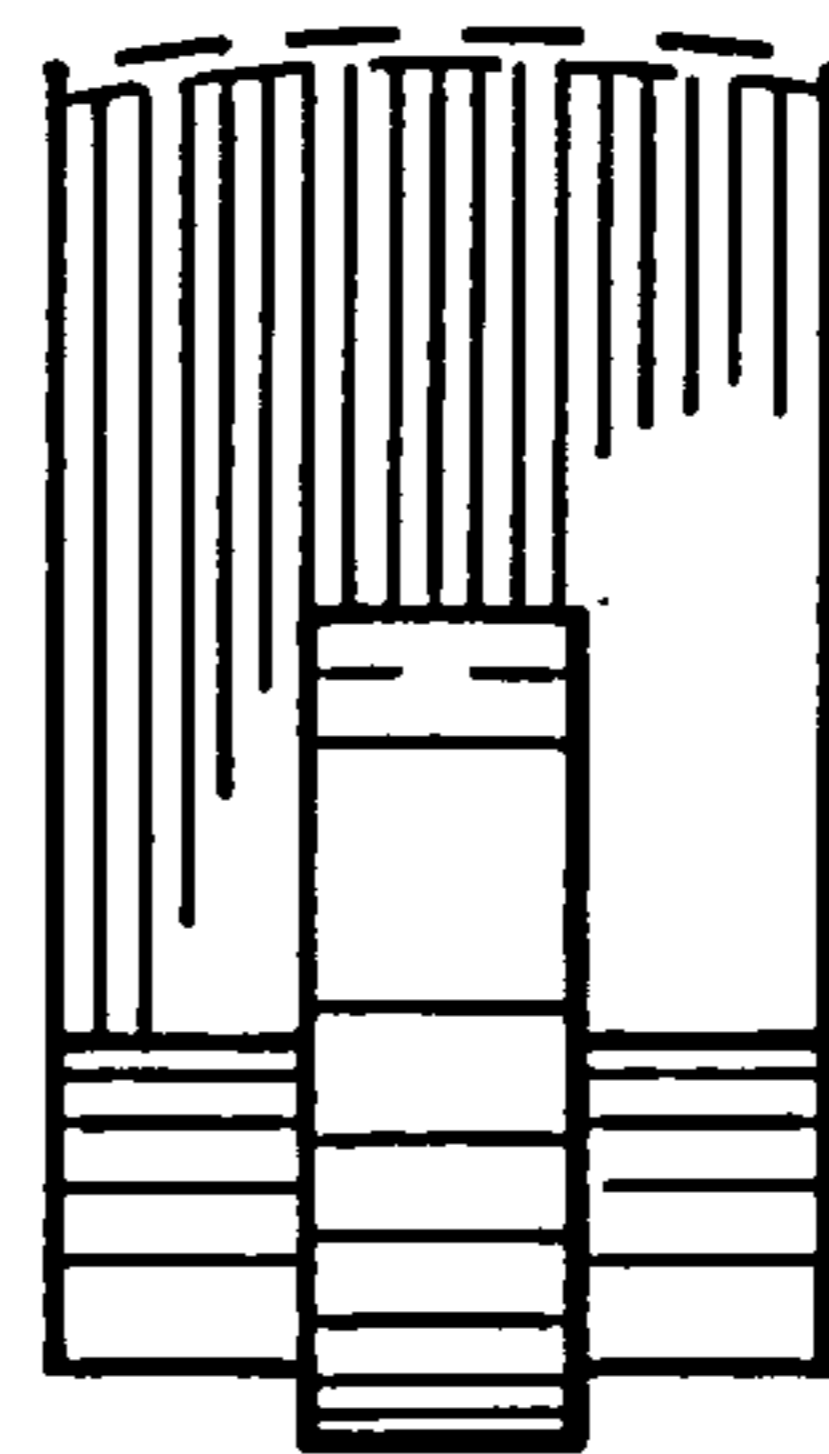


FIG. 7

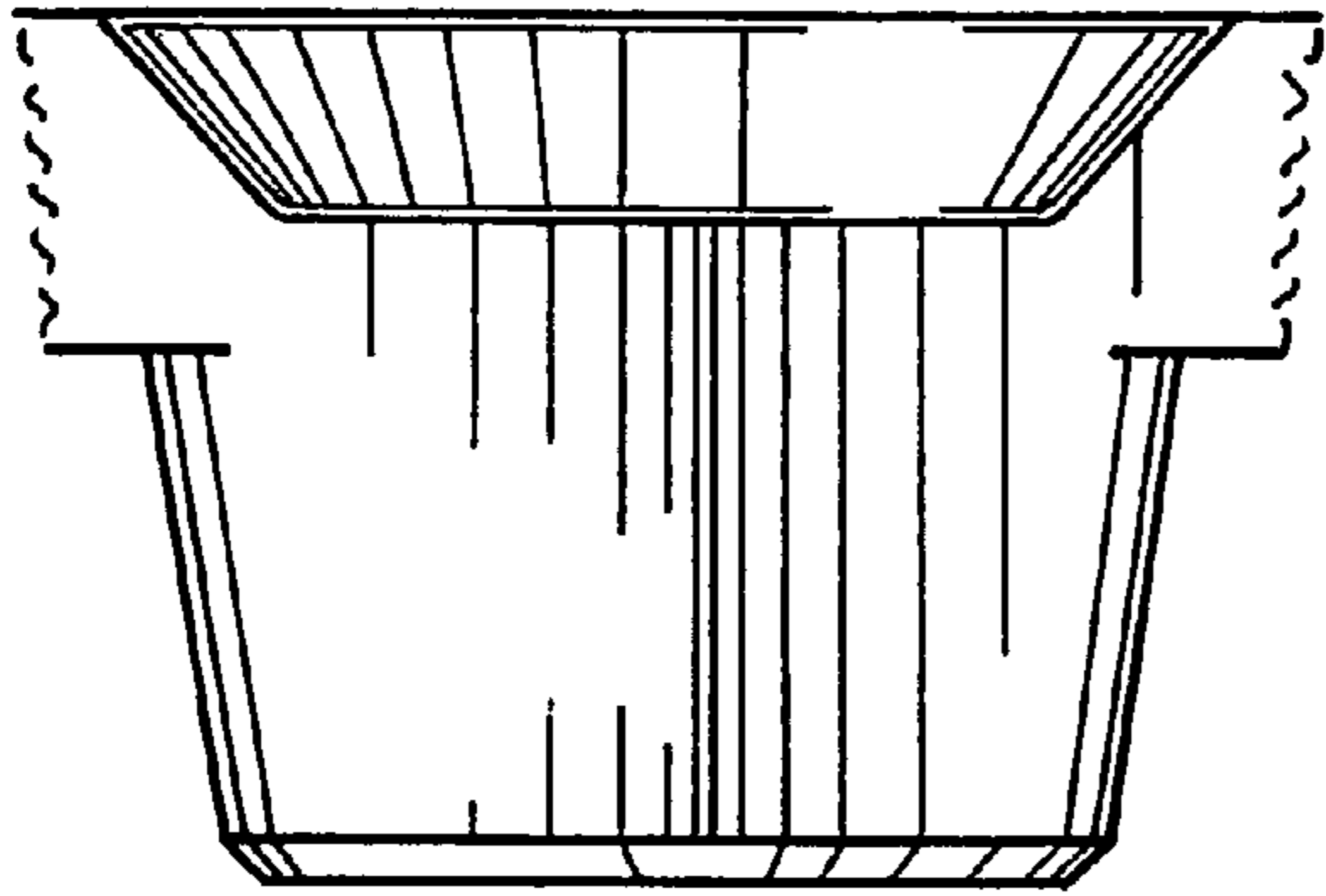


FIG. 8

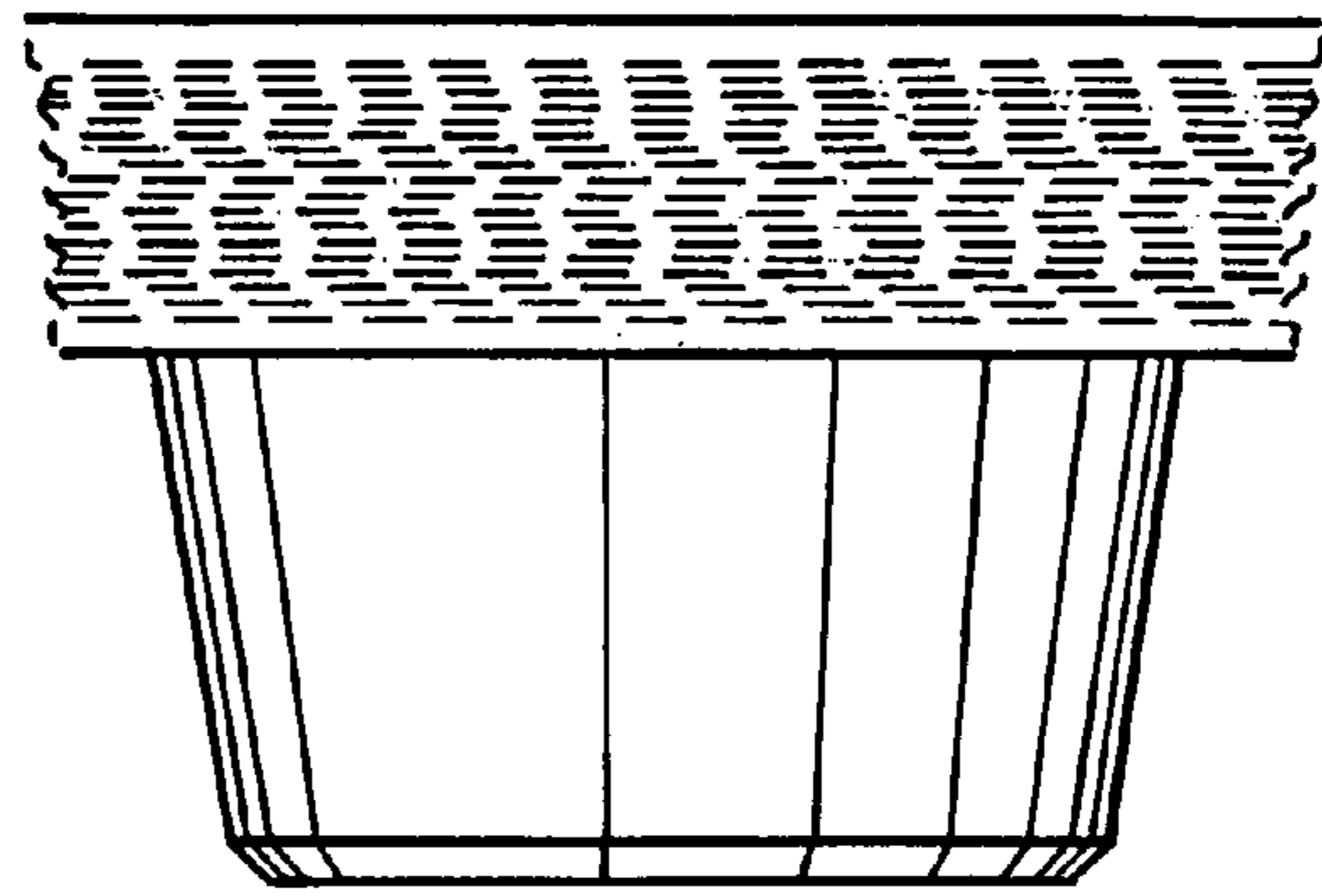


FIG. 9

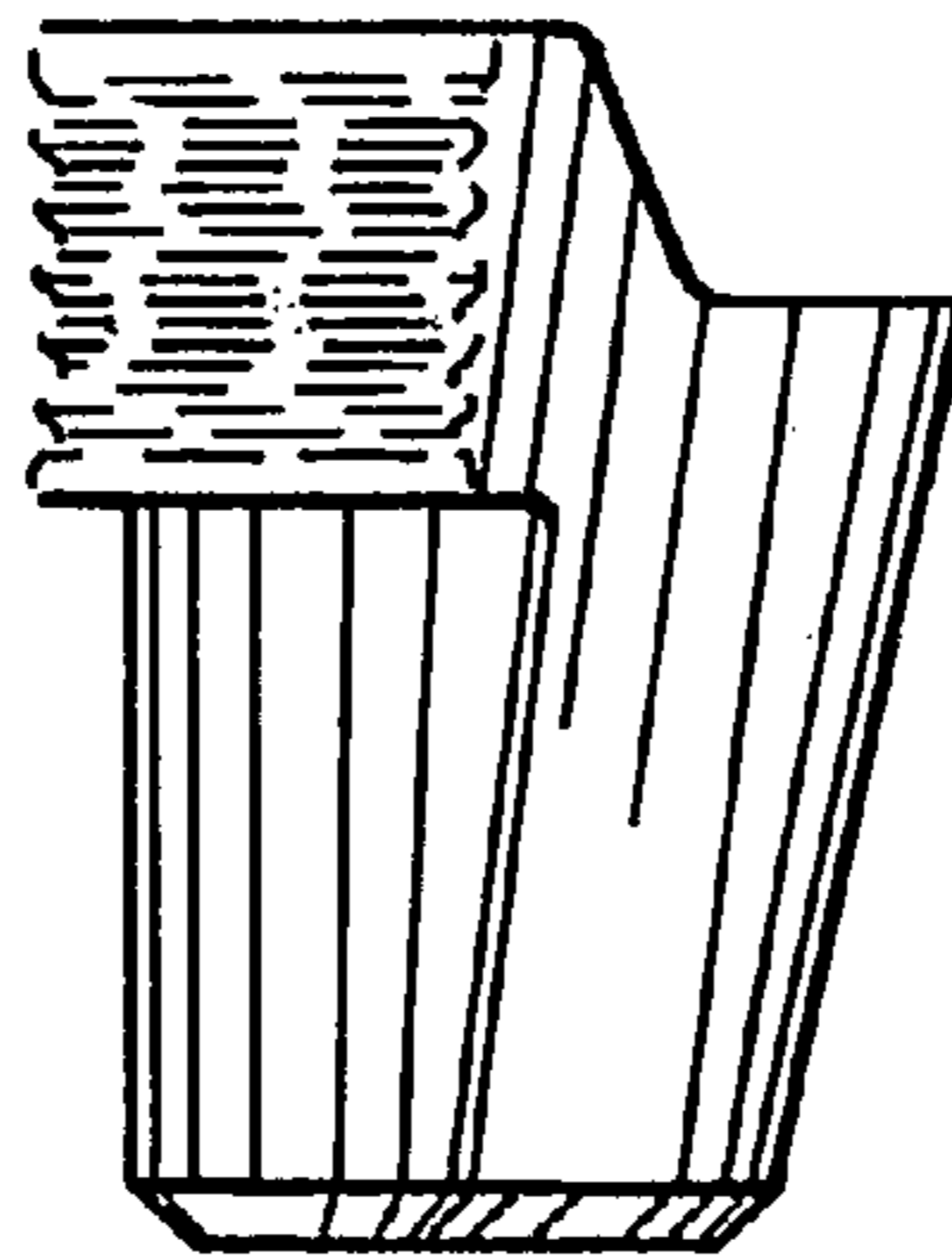


FIG. 10

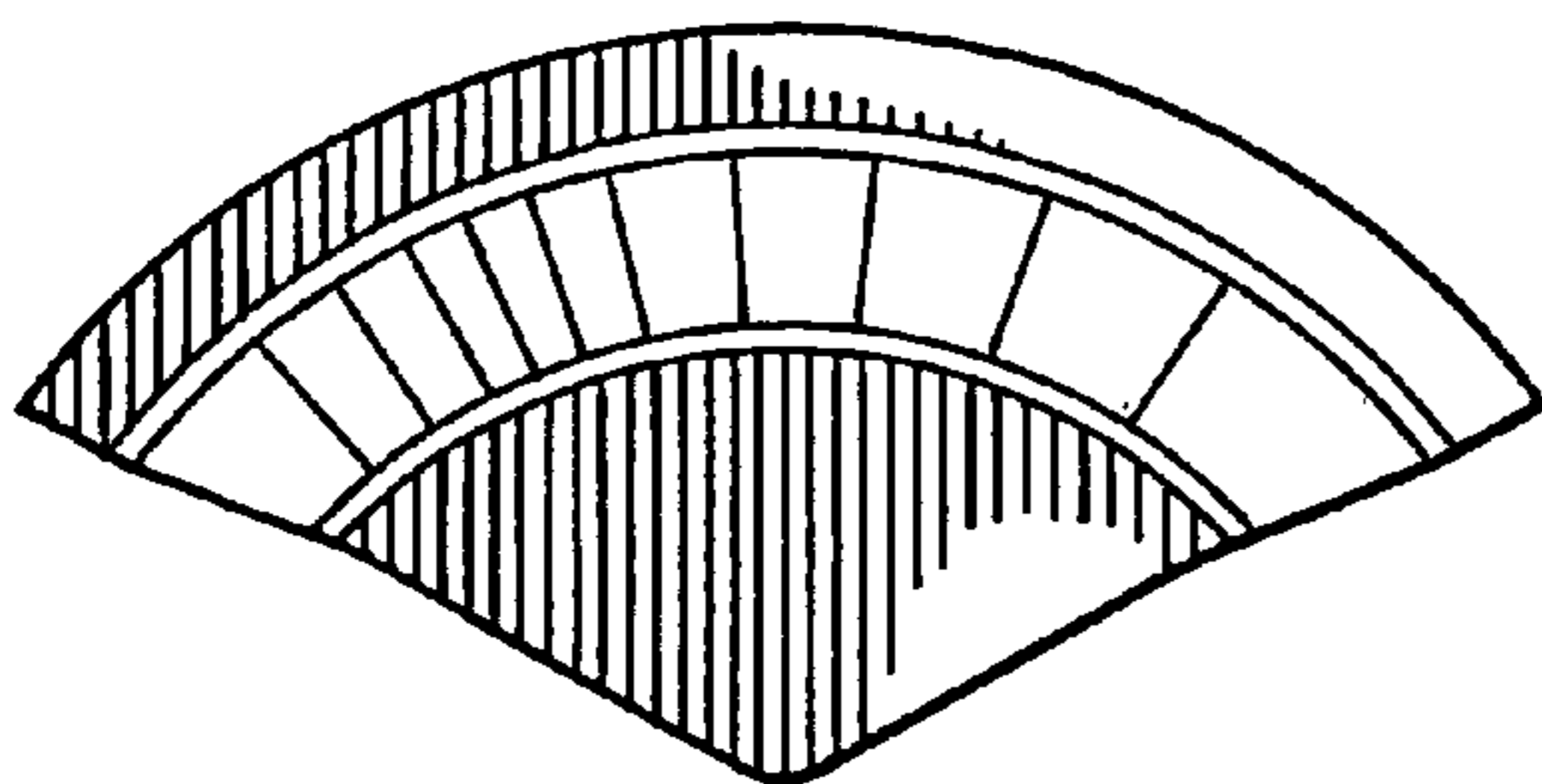


FIG. 11

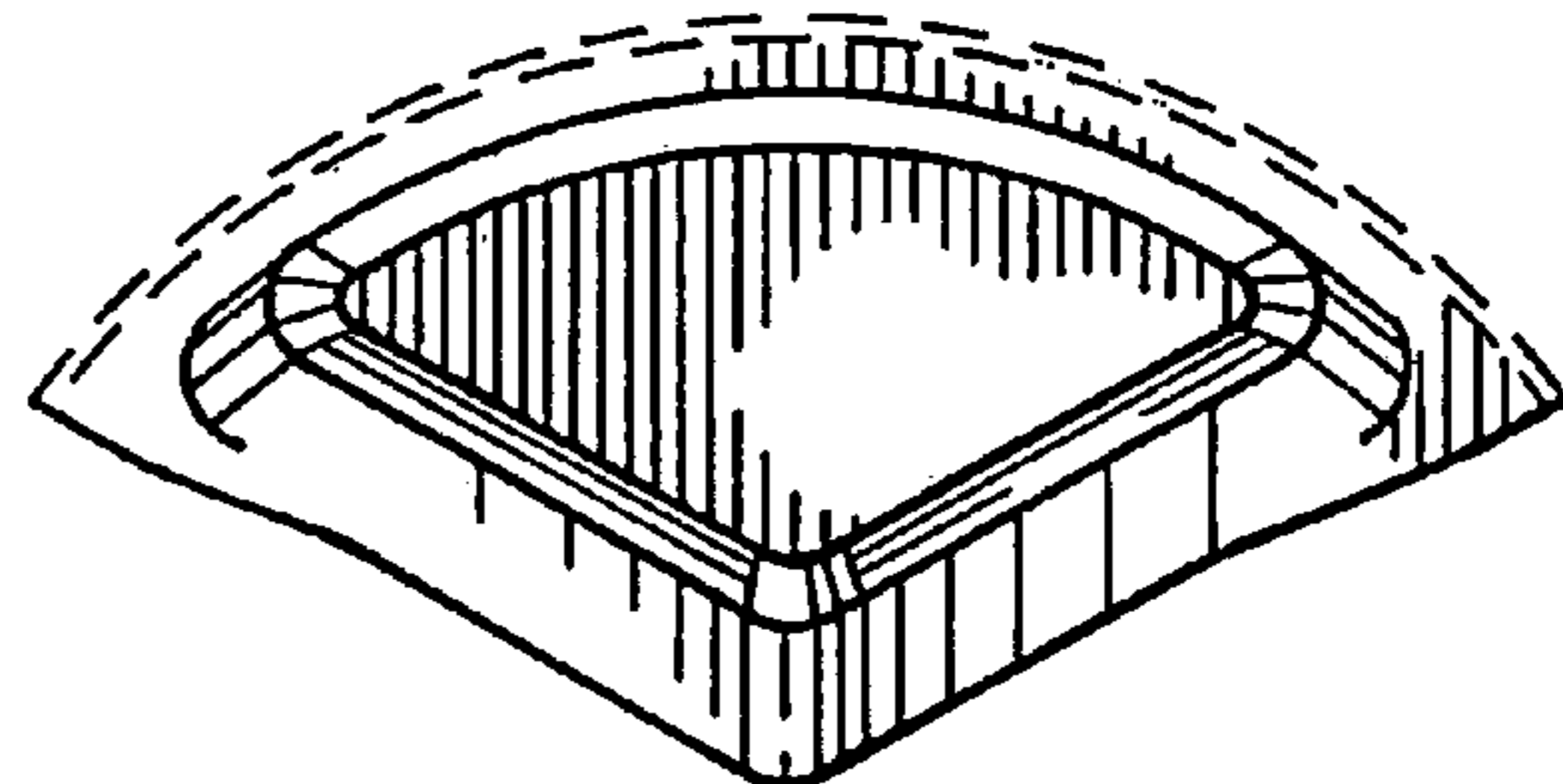


FIG. 12