



US00D733197S

(12) **United States Design Patent**  
**Ambrogiani**

(10) **Patent No.:** **US D733,197 S**

(45) **Date of Patent:** **\*\* Jun. 30, 2015**

(54) **TILE CUTTER**

(71) Applicant: **SIGMA di Evaristo Ambrogiani & C. Snc**, Bellaria Igea Marina (RN) (IT)

(72) Inventor: **Valter Ambrogiani**, Bellaria Igea Marina (IT)

(73) Assignee: **SIGMA di Evaristo Ambrogiani & C. Snc.**, Ballaria Igea Marina (RN) (IT)

(\*\*) Term: **14 Years**

(21) Appl. No.: **29/485,478**

(22) Filed: **Mar. 19, 2014**

(51) **LOC (10) Cl.** ..... **15-09**

(52) **U.S. Cl.**  
USPC ..... **D15/127**

(58) **Field of Classification Search**  
USPC ..... D8/51, 98; D15/127  
See application file for complete search history.

(56) **References Cited**

**U.S. PATENT DOCUMENTS**

D291,578 S *	8/1987	Hepworth	.....	D15/127
D359,435 S *	6/1995	Joecker, Jr.	.....	D8/98
D424,585 S *	5/2000	Torrents Comas	.....	D15/127
D434,782 S *	12/2000	Comas	.....	D15/127
6,164,272 A *	12/2000	Fouy	.....	125/12
D476,213 S *	6/2003	Hepworth	.....	D8/98
6,953,036 B2 *	10/2005	Ishii	.....	125/23.02
D533,426 S *	12/2006	Torrents Comas	.....	D8/98
D541,127 S *	4/2007	Yang	.....	D8/98
D597,568 S *	8/2009	I Comas	.....	D15/127
D618,714 S *	6/2010	Comas	.....	D15/127
D638,864 S *	5/2011	Comas	.....	D15/127

2003/0029431 A1 *	2/2003	Hepworth	.....	125/13.03
2004/0025662 A1 *	2/2004	Torrents I Comas	.....	83/886
2005/0016518 A1 *	1/2005	Ishii	.....	125/23.02

**FOREIGN PATENT DOCUMENTS**

CN	ZL200530168526.2	3/2007
EP	000352695-0001	5/2005

\* cited by examiner

*Primary Examiner* — Patricia Palasik

(74) *Attorney, Agent, or Firm* — Finnegan, Henderson, Farabow, Garrett & Dunner, L.L.P.

(57) **CLAIM**

The ornamental design for a tile cutter, as shown and described.

**DESCRIPTION**

FIG. 1 is a top plan view of a tile cutter, showing my new design;

FIG. 2 is a bottom view thereof;

FIG. 3 is an enlarged front elevation view thereof;

FIG. 4 is an enlarged rear elevation view thereof;

FIG. 5 is an enlarged left side view thereof;

FIG. 6 is an enlarged right side view thereof;

FIG. 7 is an enlarged right perspective view thereof;

FIG. 8 is an enlarged, partial front left perspective view thereof;

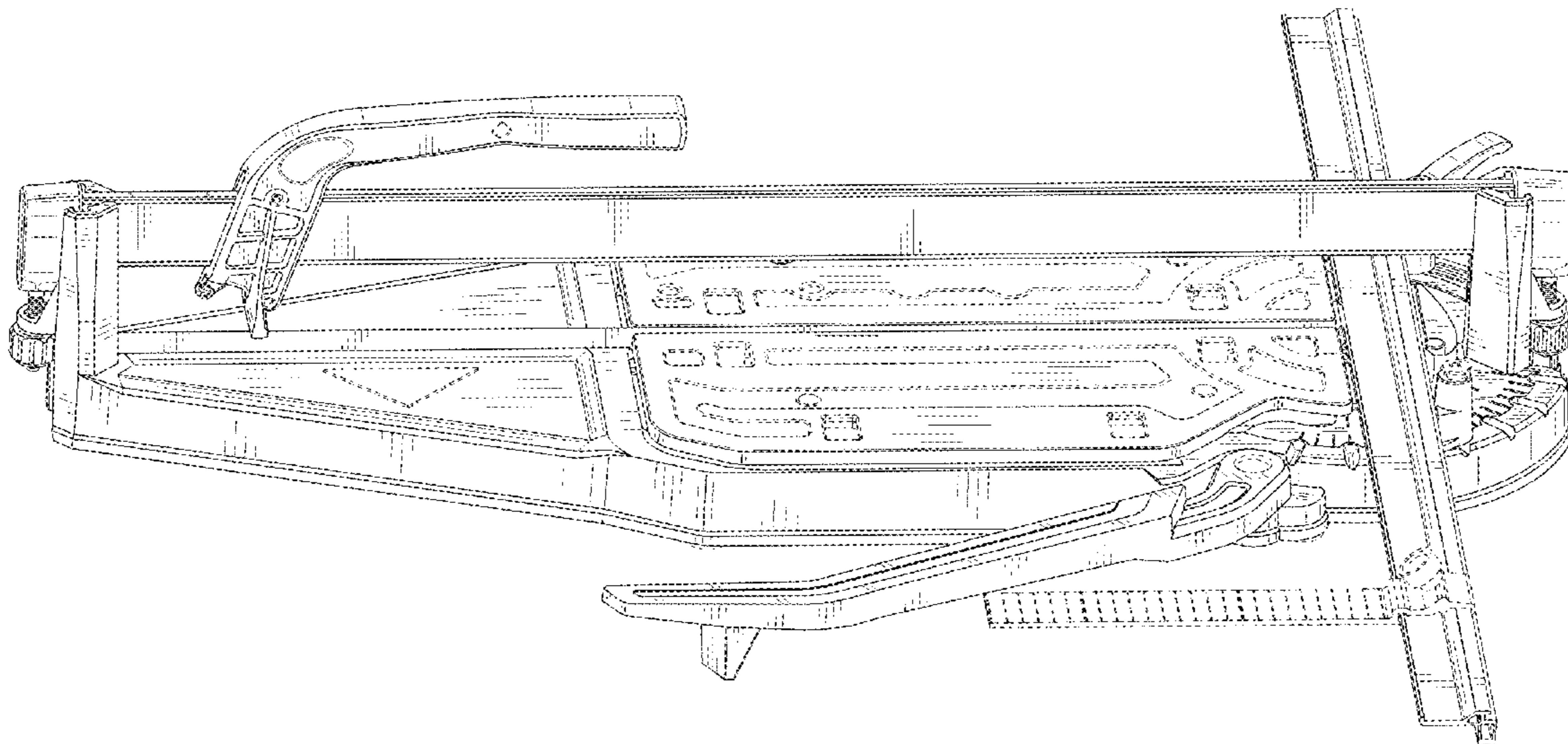
FIG. 9 is an enlarged, partial front right perspective view thereof;

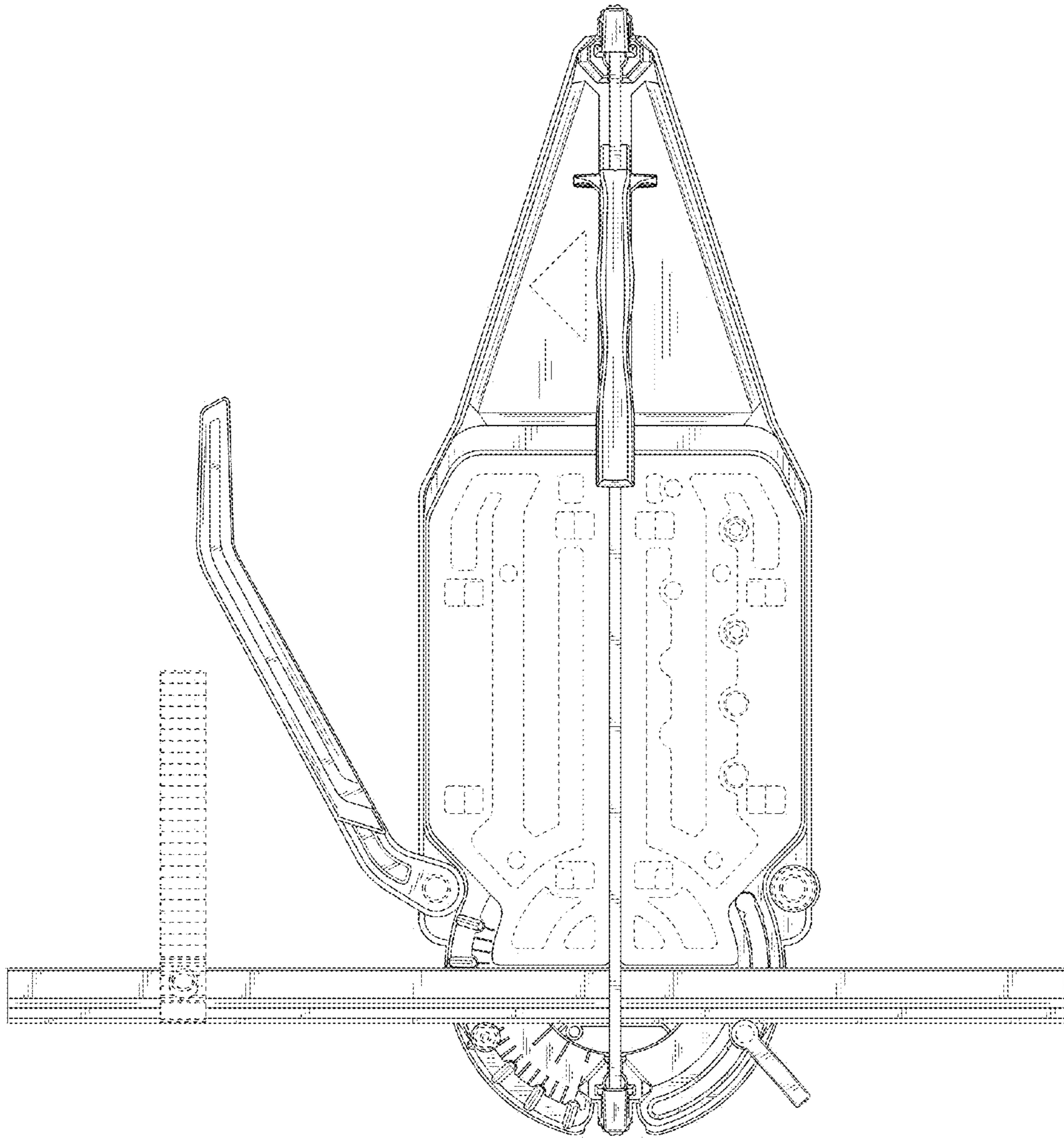
FIG. 10 is an enlarged, partial rear right perspective view thereof; and,

FIG. 11 is an enlarged, partial rear left perspective view thereof.

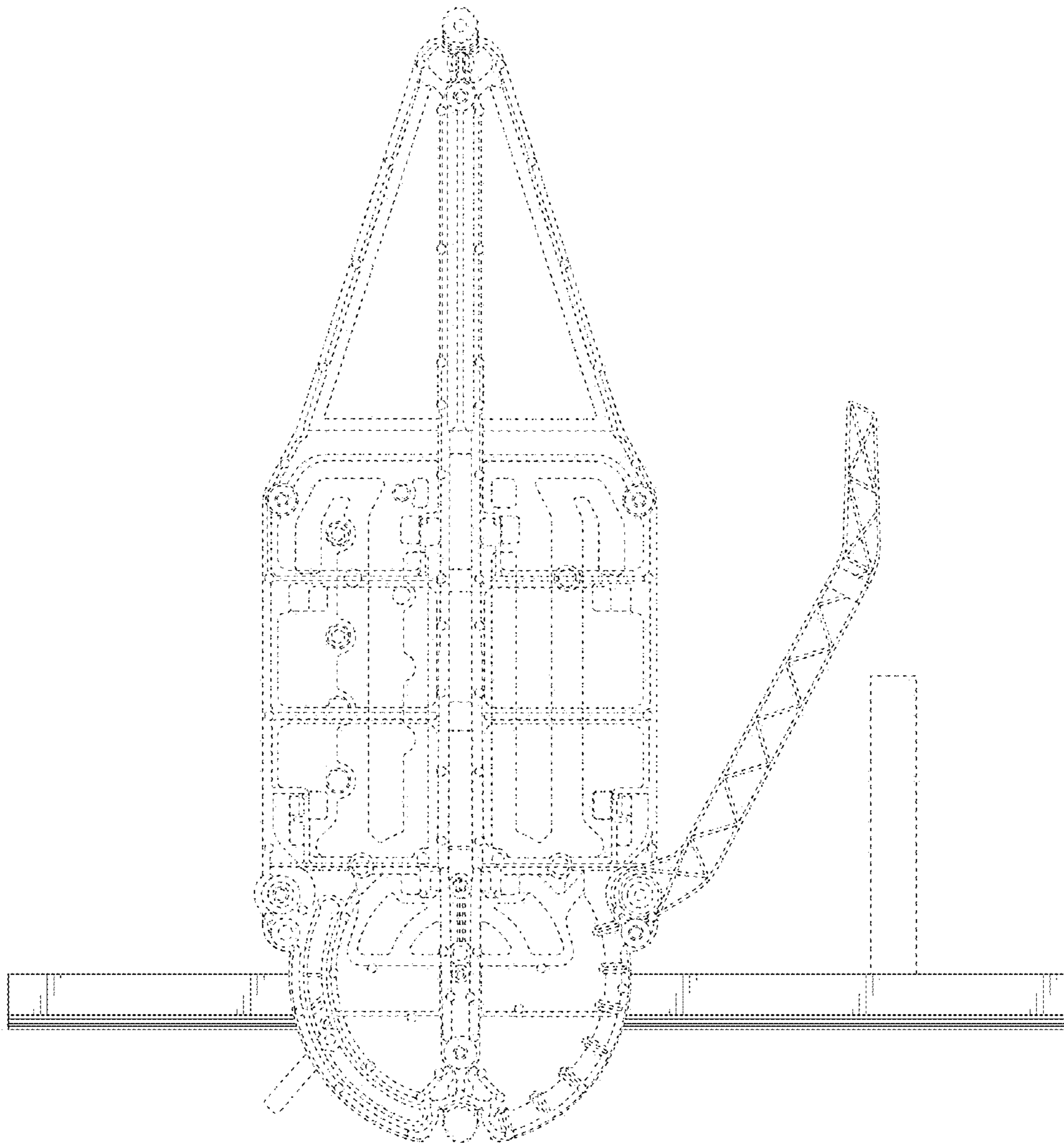
The portions depicted in broken lines of even length are environment and form no part of the claimed design.

**1 Claim, 11 Drawing Sheets**

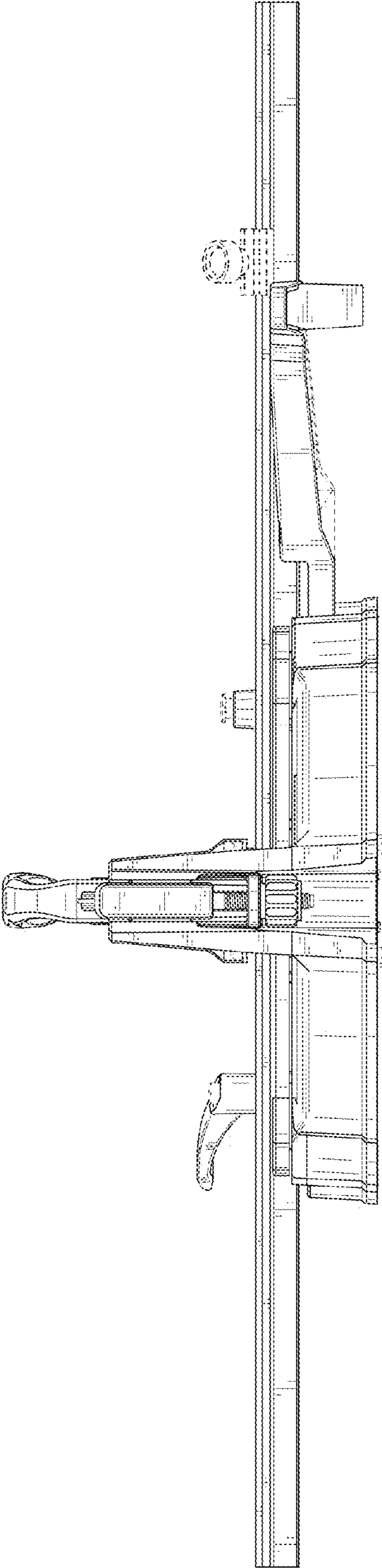




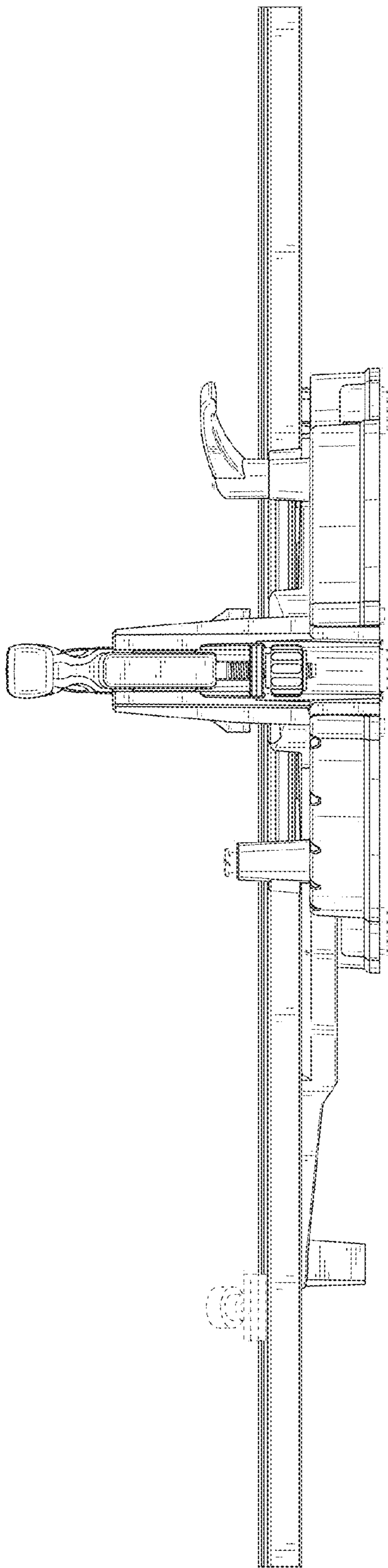
**FIG. 1**



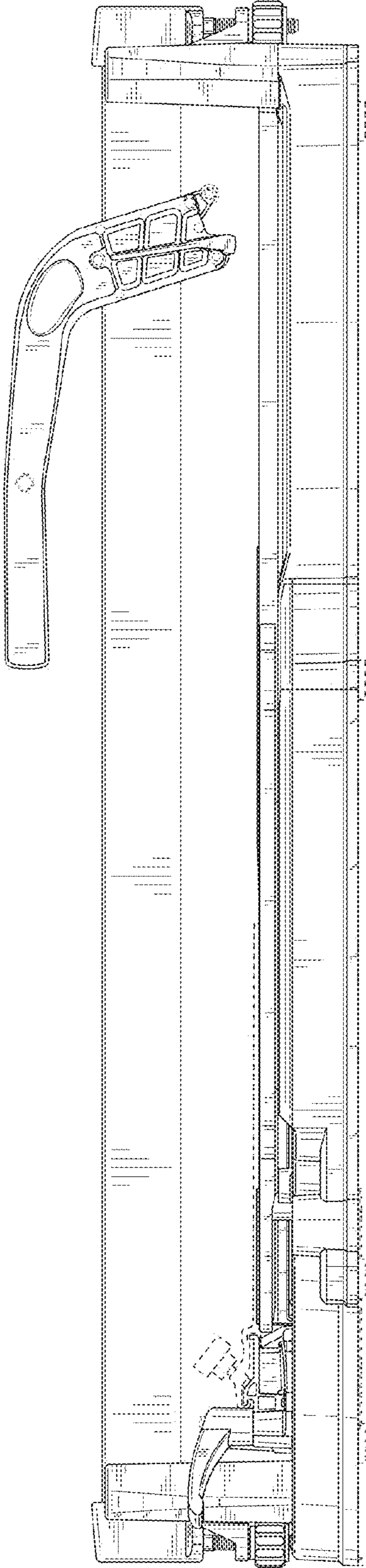
**FIG. 2**



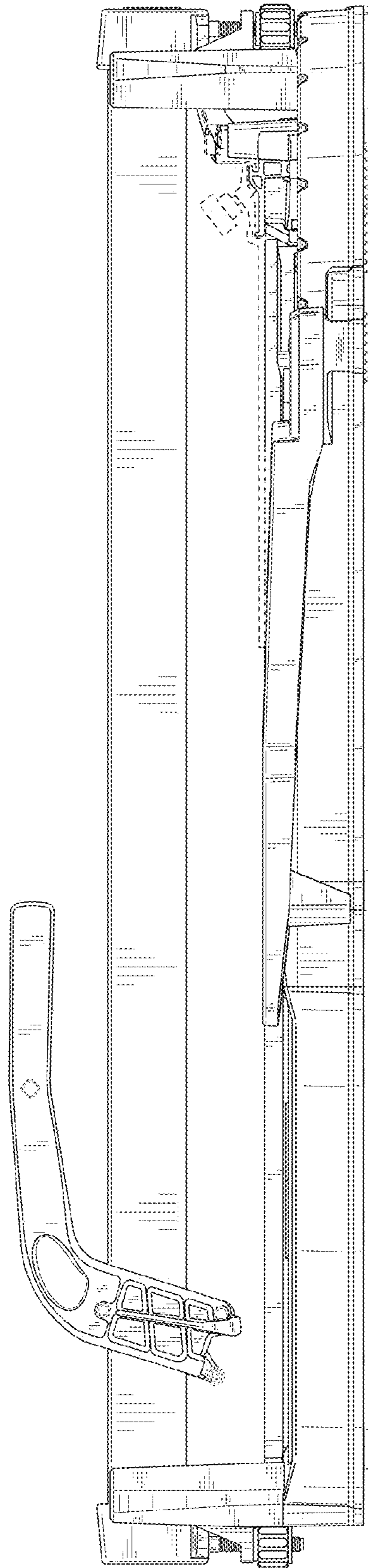
**FIG. 3**



**FIG. 4**



**FIG. 5**



**FIG. 6**

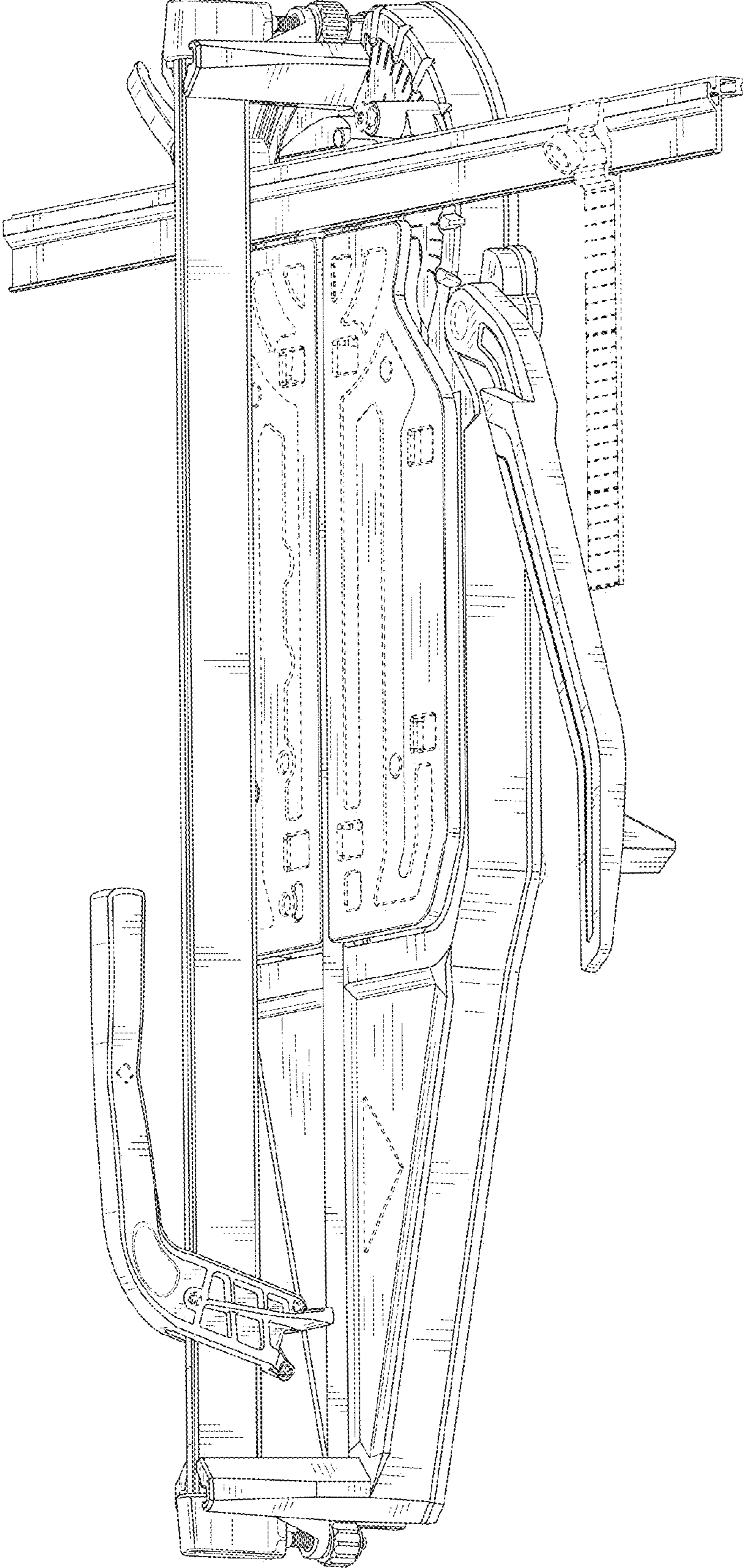


FIG. 7



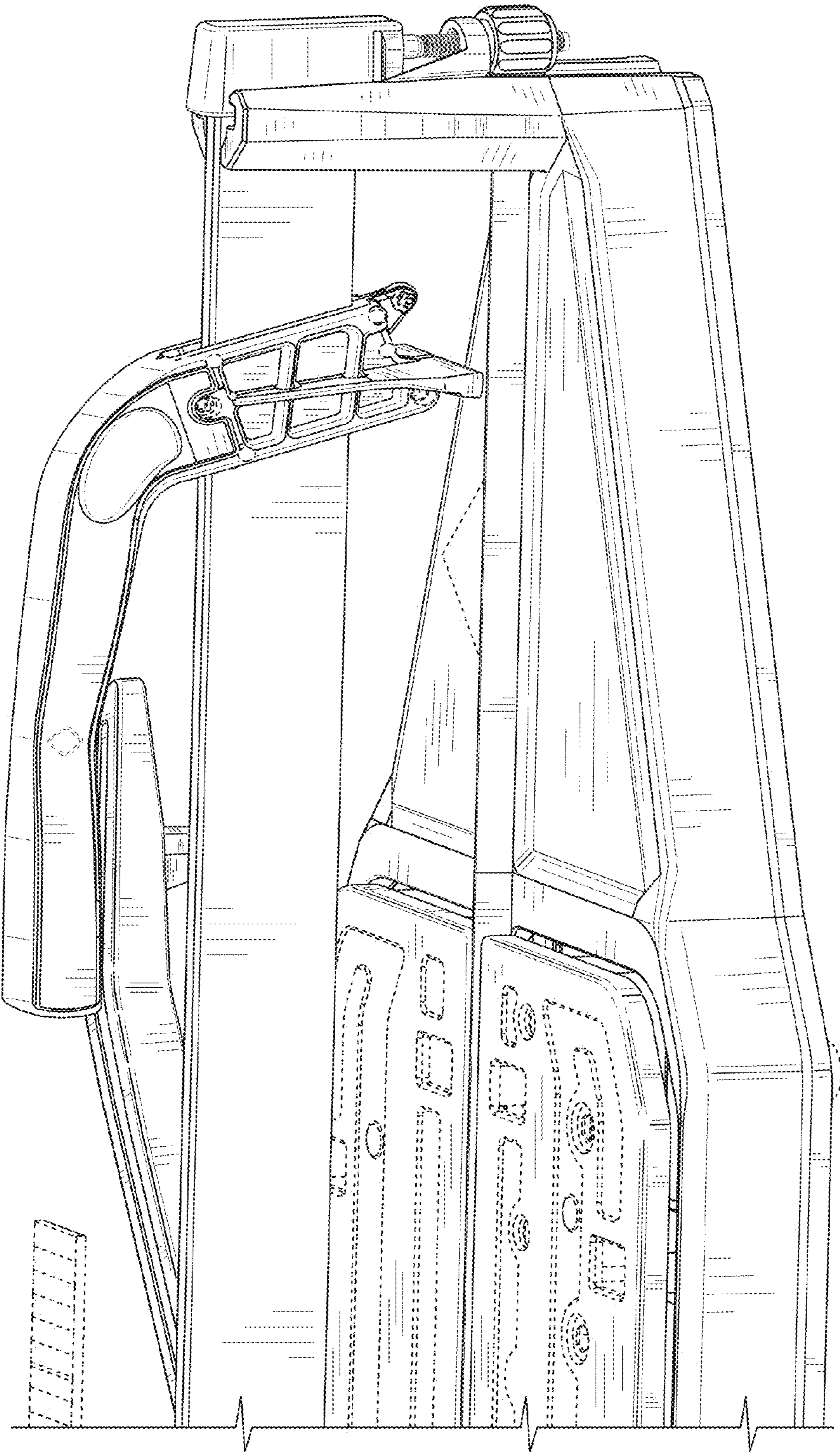


FIG. 8

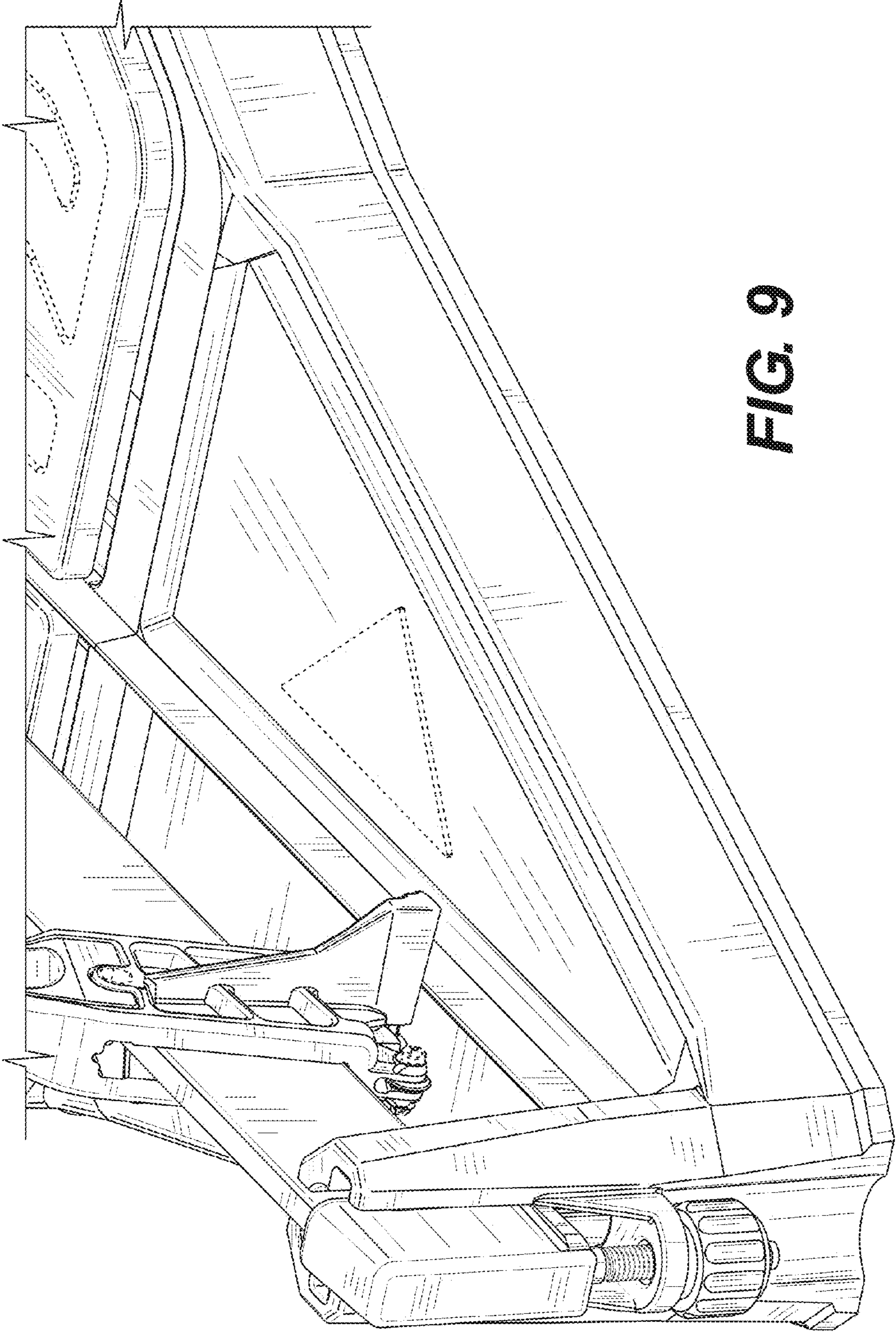
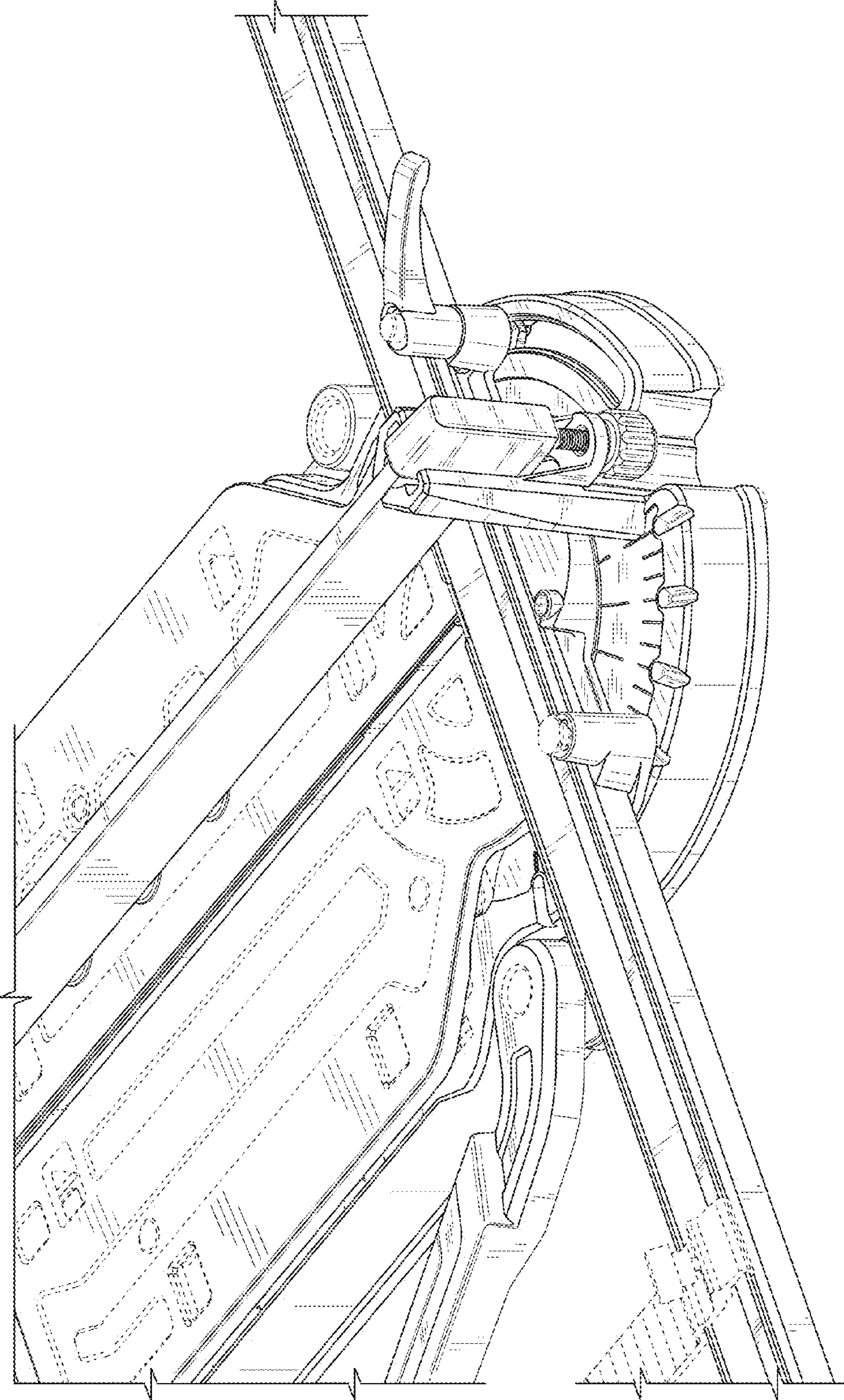


FIG. 9



**FIG. 10**

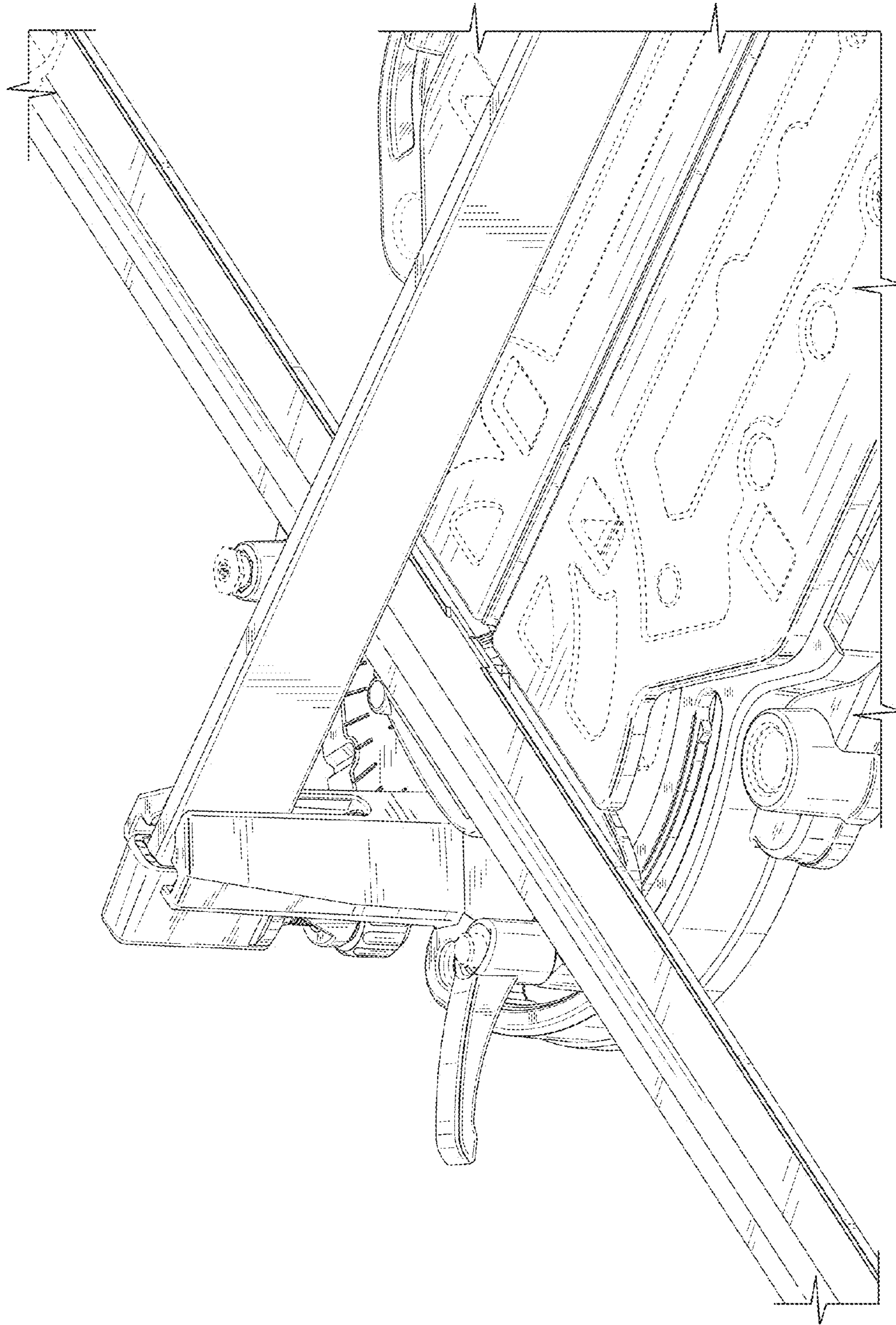


FIG. 11