

US00D733196S

(12) **United States Design Patent**
Wolf et al.

(10) **Patent No.:** **US D733,196 S**
(45) **Date of Patent:** **** Jun. 30, 2015**

- (54) **3D PRINTER ENCLOSURE**
- (71) Applicant: **WOLF AND ASSOCIATES, INC.,**
Costa Mesa, CA (US)
- (72) Inventors: **Erick Packard Wolf**, Costa Mesa, CA (US); **Miles Tyler Craig**, Lake Forest, CA (US); **Eugene McGuinness**, Oceanside, CA (US)
- (73) Assignee: **WOLF AND ASSOCIATES, INC.,**
Costa Mesa, CA (US)

8,105,066	B2	1/2012	Sperry et al.
8,105,527	B2	1/2012	Wahlstrom
8,119,053	B1	2/2012	Bedal et al.
8,153,182	B2	4/2012	Comb et al.
8,153,183	B2	4/2012	Skubic et al.
8,185,229	B2	5/2012	Davidson
8,215,371	B2	7/2012	Batchelder
8,222,908	B2	7/2012	Paul et al.
8,226,395	B2	7/2012	Pax et al.
8,252,223	B2 *	8/2012	Medina et al. 264/401
8,282,380	B2	10/2012	Pax et al.
8,285,411	B2	10/2012	Hull et al.
8,287,794	B2	10/2012	Pax et al.
8,287,959	B2	10/2012	Batchelder

(Continued)

(**) Term: **14 Years**

(21) Appl. No.: **29/463,675**

(22) Filed: **Feb. 3, 2014**

(51) **LOC (10) Cl.** **15-09**

(52) **U.S. Cl.**
USPC **D15/122**

(58) **Field of Classification Search**
USPC D15/122, 135, 138; D18/50, 54, 54.1, D18/55; 101/38.1; 264/112-113, 308, 401, 264/497, 642; 425/162, 173, 375
See application file for complete search history.

(56) **References Cited**

U.S. PATENT DOCUMENTS

5,340,433	A	8/1994	Crump
5,503,785	A	4/1996	Crump et al.
6,004,124	A	12/1999	Swanson et al.
7,168,935	B1 *	1/2007	Taminger et al. 425/174.4
D565,648	S *	4/2008	Egami D18/50
7,384,255	B2	6/2008	LaBossiere et al.
7,604,470	B2	10/2009	LaBossiere et al.
7,625,200	B2	12/2009	Leavitt
7,706,910	B2	4/2010	Hull et al.
7,731,887	B2	6/2010	Hull et al.
7,771,183	B2	8/2010	Hull et al.
7,896,209	B2	3/2011	Batchelder et al.
7,931,460	B2	4/2011	Scott et al.
7,938,351	B2	5/2011	Taatjes et al.

FOREIGN PATENT DOCUMENTS

KR 10-2010-0004475 A 1/2010

OTHER PUBLICATIONS

International Search Report and Written Opinion dated Jan. 14, 2015 issued in PCT/US2014/060762, filed Oct. 15, 2014, 9 pages.

Primary Examiner — Cathy A MacCormac

(74) *Attorney, Agent, or Firm* — Knobbe, Martens, Olson & Bear, LLP

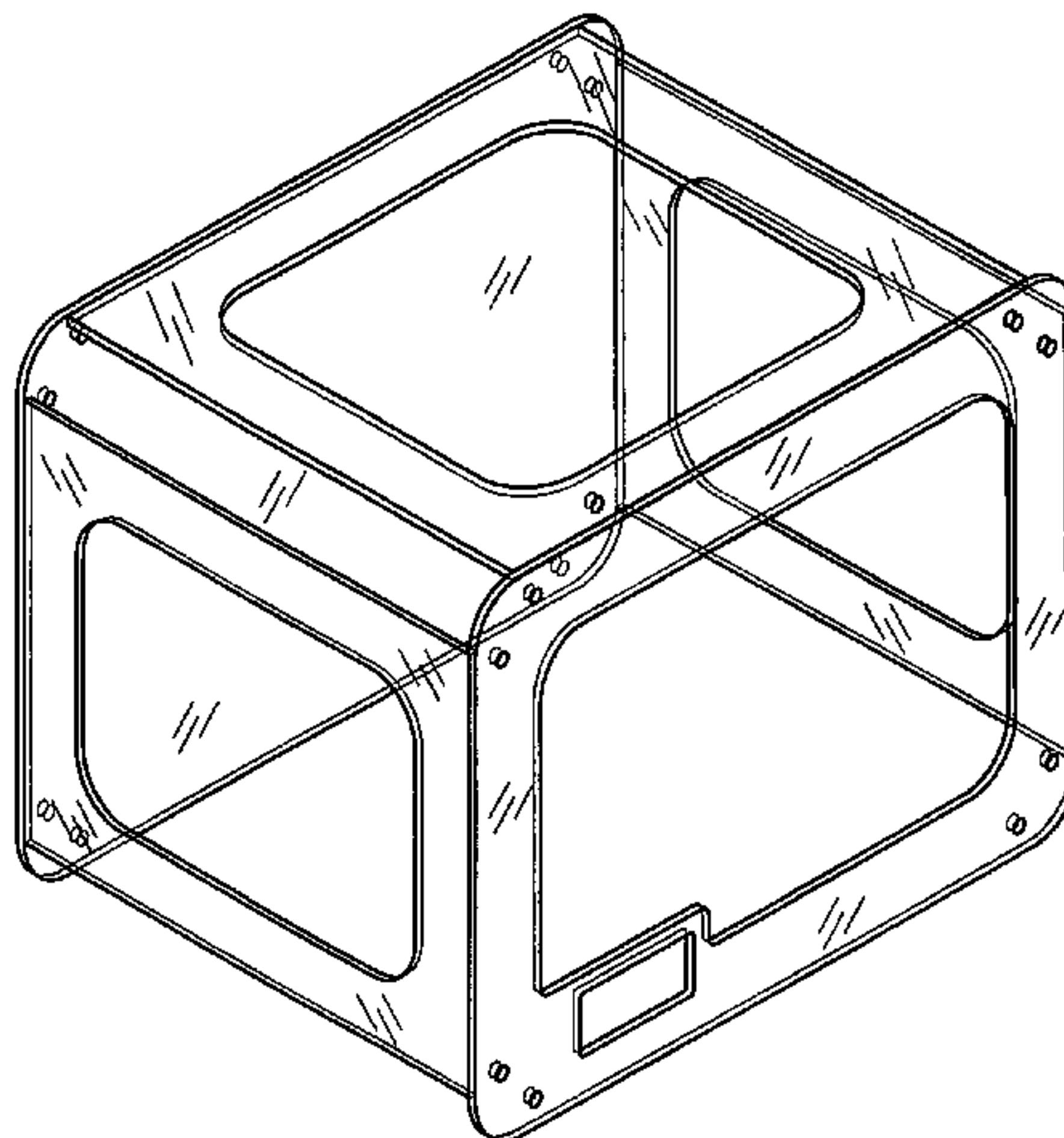
(57) **CLAIM**

The ornamental design for a 3D printer enclosure, as shown and described.

DESCRIPTION

FIG. 1 is a front perspective view of a 3D printer enclosure showing our new design;
FIG. 2 is a front view thereof;
FIG. 3 is a rear view thereof;
FIG. 4 is a left-side view thereof;
FIG. 5 is a right-side view thereof;
FIG. 6 is a top view thereof; and,
FIG. 7 is a bottom view thereof.

1 Claim, 4 Drawing Sheets



(56)

References Cited

U.S. PATENT DOCUMENTS

D677,723	S	3/2013	Buel et al.	2013/0327917	A1	12/2013	Steiner et al.
8,414,280	B2	4/2013	Pettis	2013/0329257	A1	12/2013	Pettis et al.
8,425,218	B2	4/2013	Pettis	2013/0329258	A1	12/2013	Pettis et al.
8,465,689	B2	6/2013	Sperry et al.	2014/0034214	A1	2/2014	Boyer et al.
8,469,692	B2	6/2013	Kritchman et al.	2014/0035182	A1	2/2014	Boyer et al.
D688,741	S *	8/2013	Joyce D18/50	2014/0036034	A1	2/2014	Boyer et al.
8,512,024	B2	8/2013	Pax	2014/0039659	A1	2/2014	Boyer et al.
8,521,320	B2	8/2013	Silverbrook	2014/0039662	A1	2/2014	Boyer et al.
8,529,240	B2	9/2013	Mayer	2014/0039663	A1	2/2014	Boyer et al.
8,562,324	B2	10/2013	Pettis	2014/0042657	A1	2/2014	Mulliken
8,609,204	B2	12/2013	Kritchman	2014/0042670	A1	2/2014	Pettis et al.
8,636,494	B2	1/2014	Gothait et al.	2014/0043630	A1	2/2014	Buser et al.
8,642,692	B1	2/2014	Stockwell et al.	2014/0044822	A1	2/2014	Mulliken
8,647,098	B2	2/2014	Swanson et al.	2014/0046473	A1	2/2014	Boynton et al.
8,647,102	B2	2/2014	Swanson et al.	2014/0048970	A1	2/2014	Batchelder et al.
8,668,859	B2	3/2014	Pettis	2014/0070445	A1	3/2014	Mayer
D705,643	S	5/2014	Siboni et al.	2014/0070461	A1	3/2014	Pax
8,718,522	B2	5/2014	Chillscyzn et al.	2014/0074274	A1	3/2014	Douglas et al.
8,747,097	B2	6/2014	Pettis	2014/0117575	A1	5/2014	Kemperle et al.
D722,108	S *	2/2015	Reches et al. D18/50	2014/0117585	A1	5/2014	Douglas et al.
2012/0018924	A1	1/2012	Swanson et al.	2014/0120196	A1	5/2014	Schmehl
2013/0241102	A1	9/2013	Rodgers et al.	2014/0121813	A1	5/2014	Schmehl
				2014/0129020	A1	5/2014	Kroner et al.
				2014/0129021	A1	5/2014	Boynton et al.
				2014/0129022	A1	5/2014	Briscella et al.

* cited by examiner

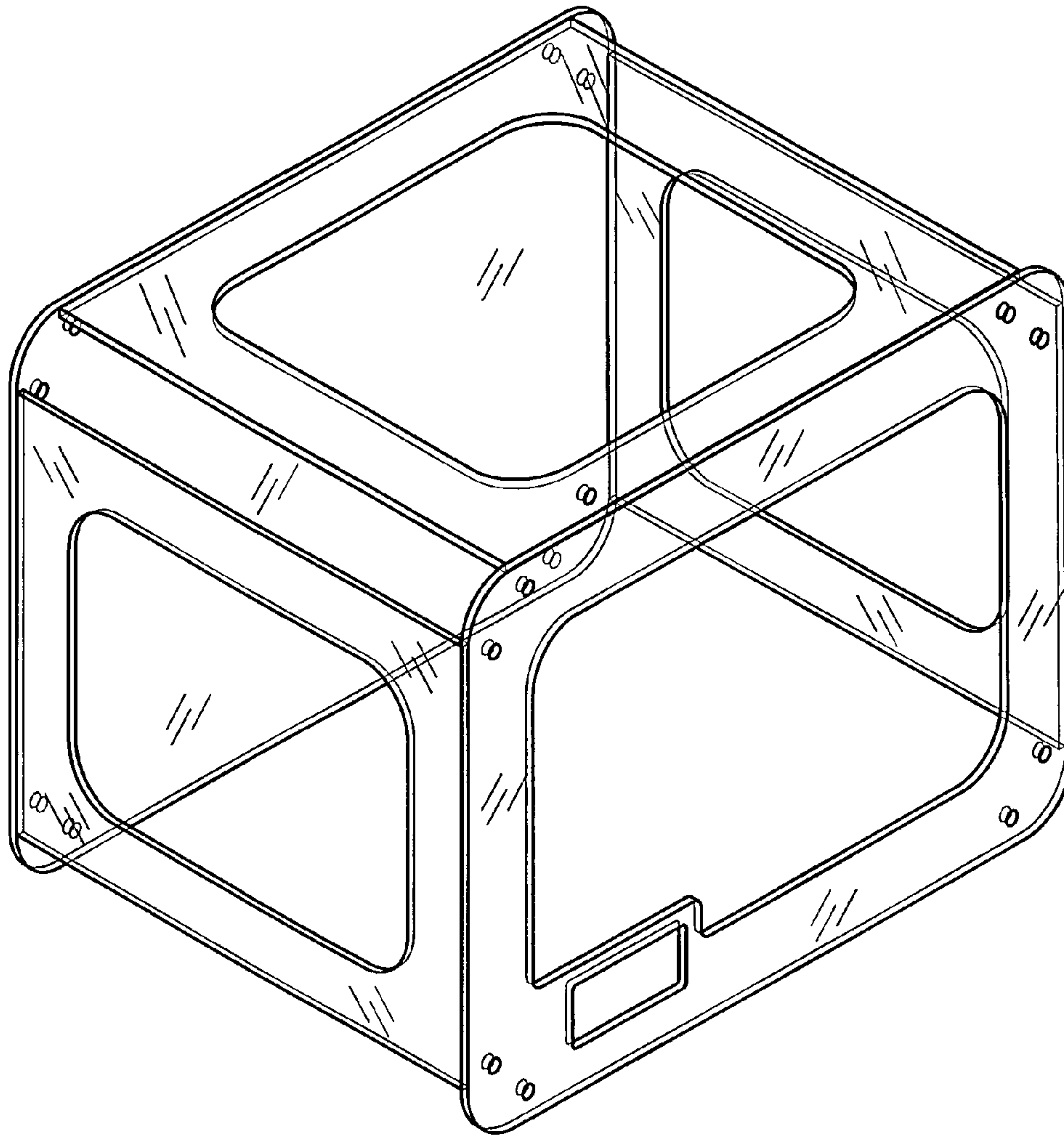


FIG. 1

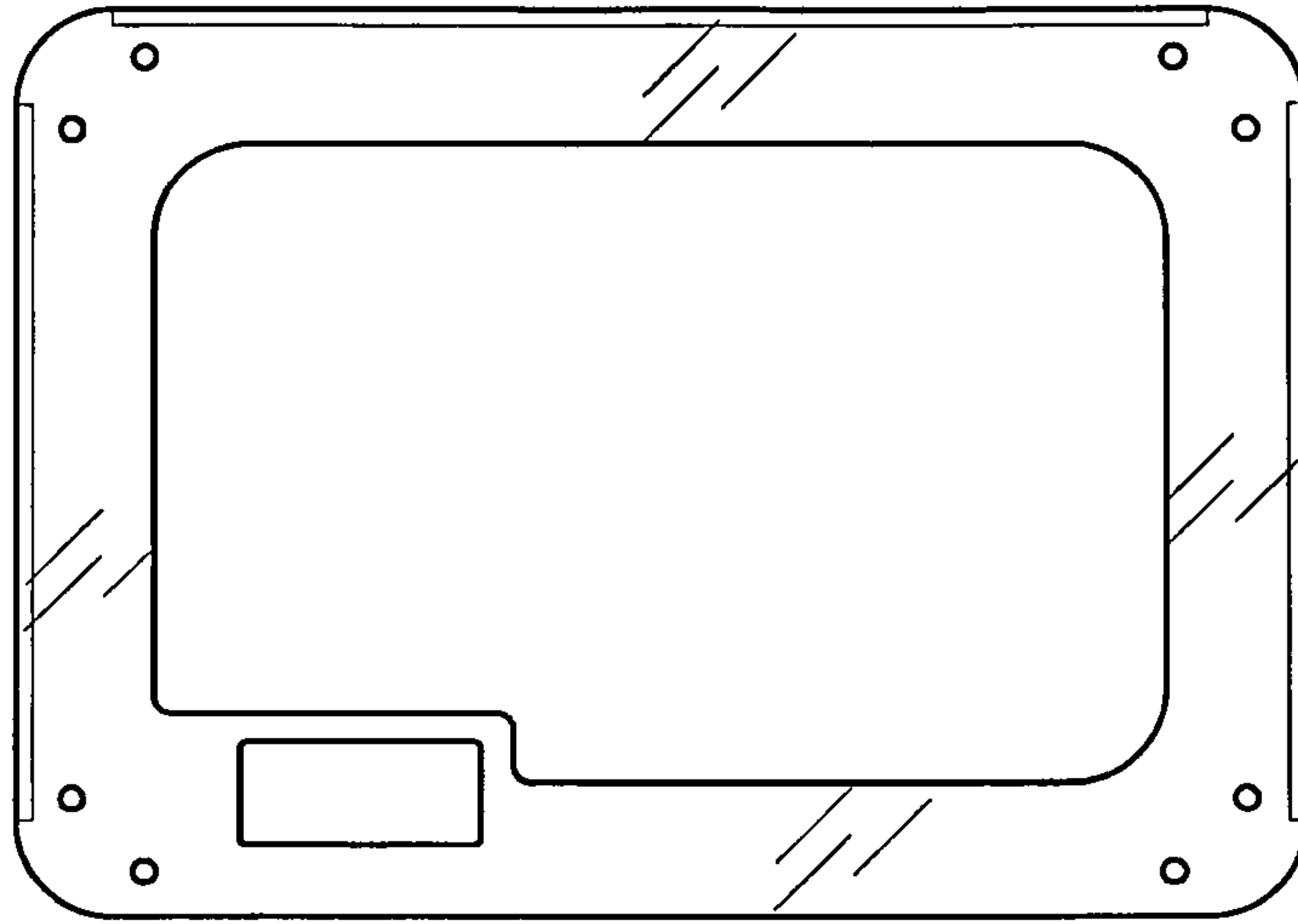


FIG. 2

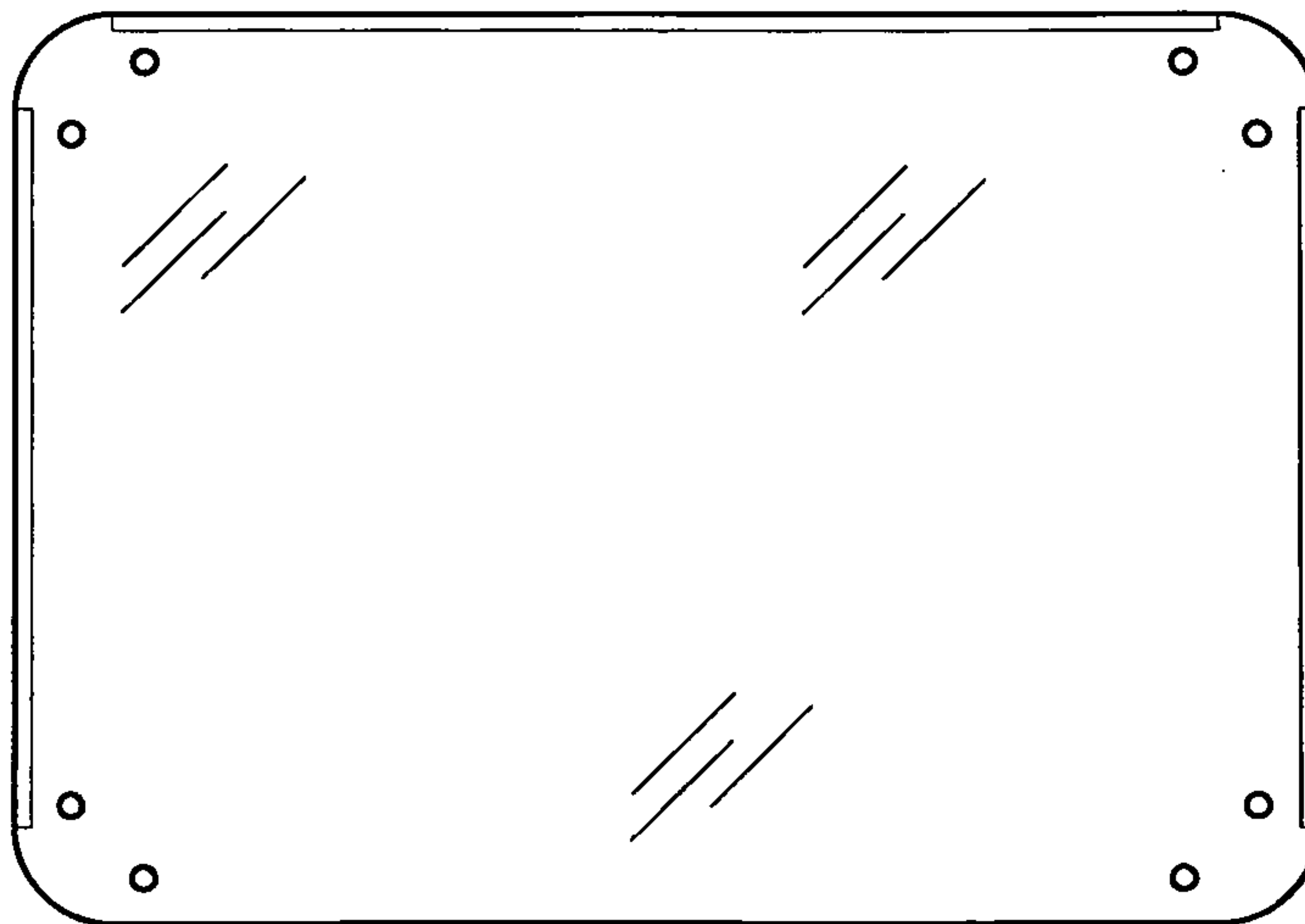


FIG. 3

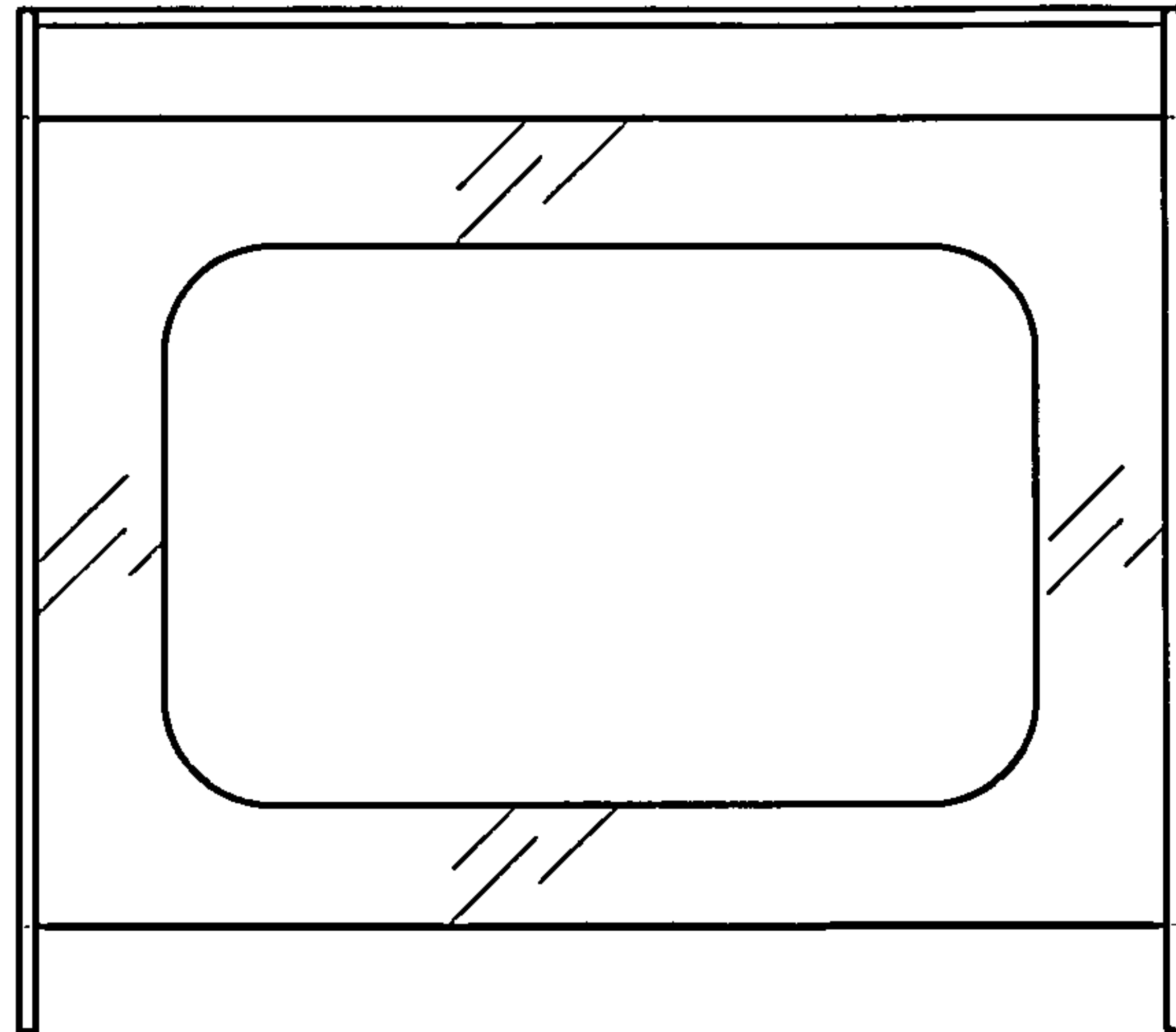


FIG. 4

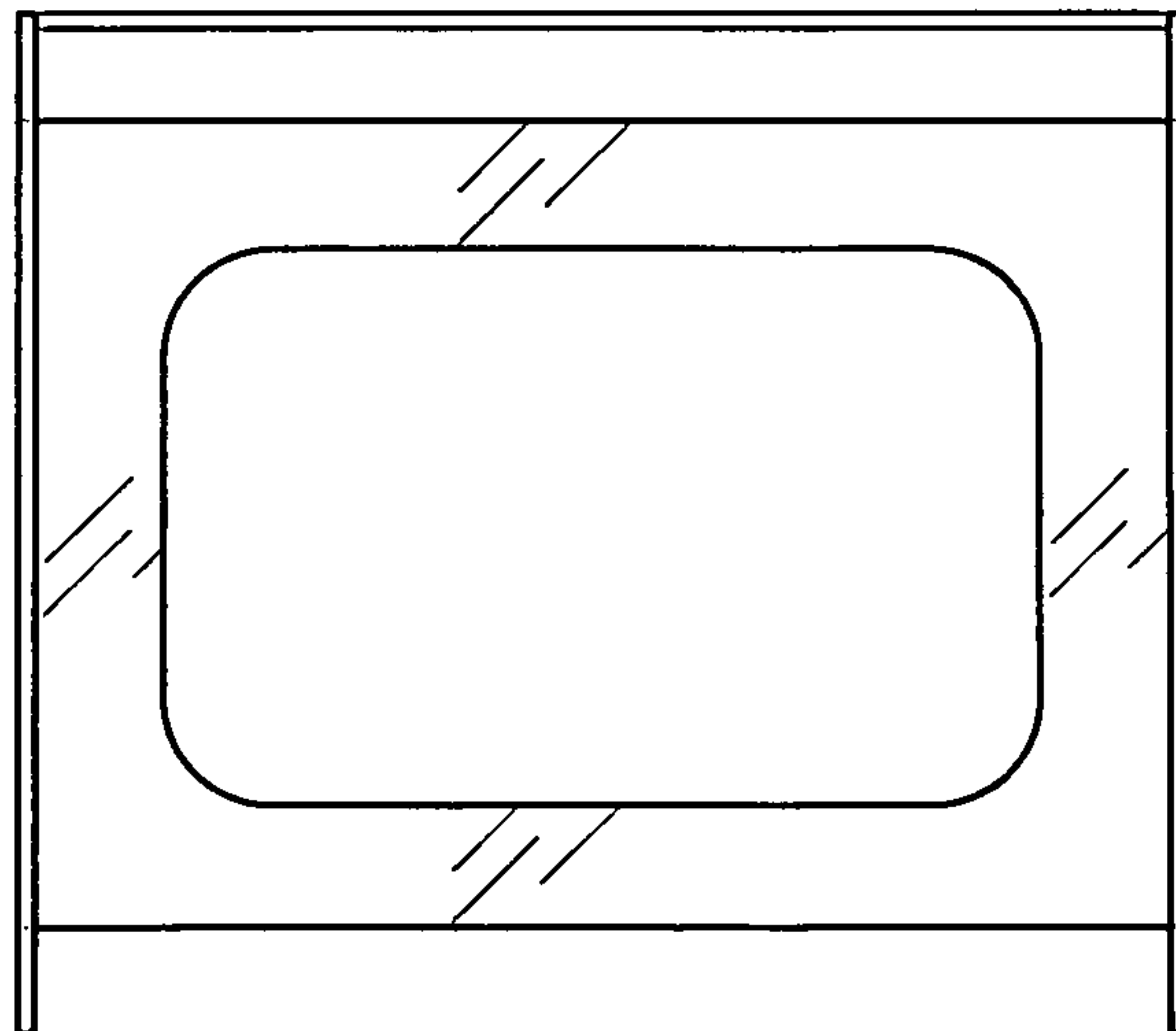


FIG. 5

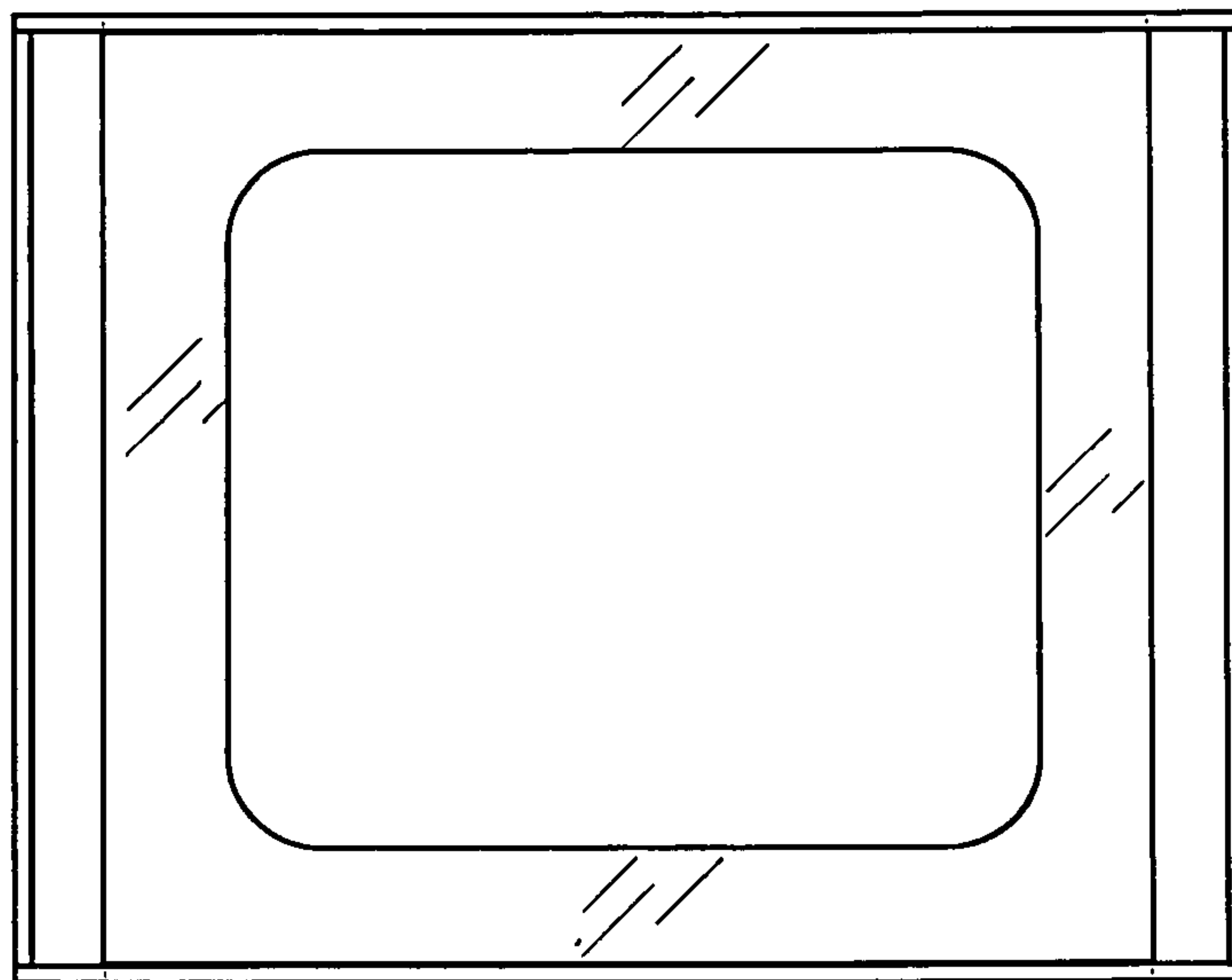


FIG. 6

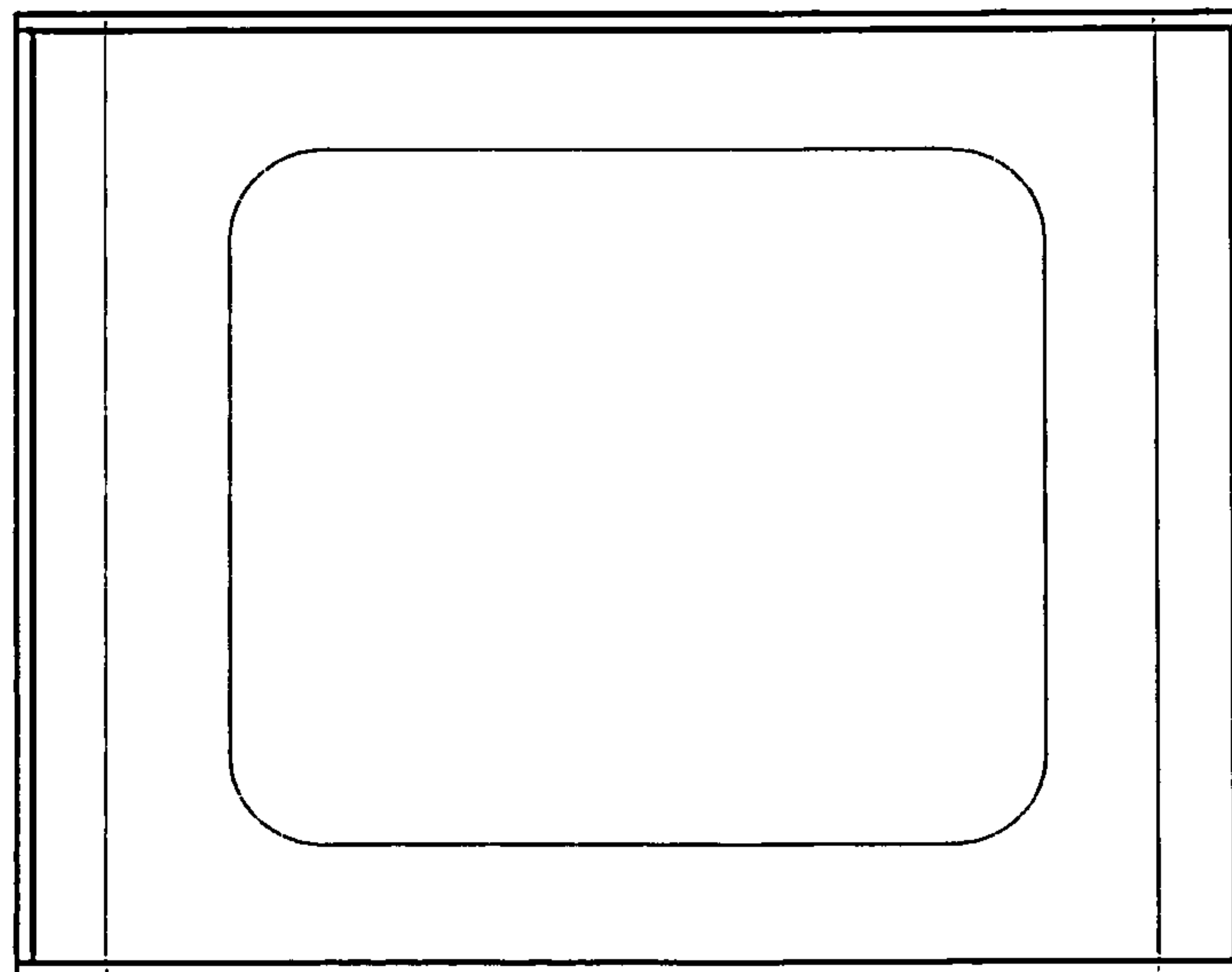


FIG. 7