



US00D733195S

(12) **United States Design Patent**  
**Lum**

(10) **Patent No.:** **US D733,195 S**

(45) **Date of Patent:** **\*\* Jun. 30, 2015**

(54) **RE-FREEZABLE ICE PACK**

(71) Applicant: **Bernadine Rose Lum**, Torrance, CA  
(US)

(72) Inventor: **Bernadine Rose Lum**, Torrance, CA  
(US)

(73) Assignee: **Bernadine Rose Lum**, Torrance, CA  
(US)

(\*\*) Term: **14 Years**

(21) Appl. No.: **29/474,178**

(22) Filed: **Jun. 30, 2014**

(51) **LOC (10) Cl.** ..... **15-07**

(52) **U.S. Cl.**  
USPC ..... **D15/90**

(58) **Field of Classification Search**  
USPC ..... D15/79, 80, 89, 90

CPC ..... F25B 21/02; F25B 2321/02; F25B 1/005;  
F25B 2321/0252; F25B 1/00; F25B 1/10;  
F25B 21/04; F25B 2339/047; F25B 5/02;  
F25B 7/00; F25B 13/00; F25B 1/053; F25B  
2309/06; F25B 2321/021; F25B 2321/023;  
F25D 23/028; F25D 23/02; F25D 25/025;  
F25D 23/00; F25D 2323/021; F25D 11/00;  
F25D 2323/024; F25D 23/04; F25D 29/00;  
F25D 25/02; F25D 25/024; F25D 27/005;  
F25D 23/12; F25D 29/005; F25D 17/042;  
F25D 2325/021

See application file for complete search history.

(56) **References Cited**

U.S. PATENT DOCUMENTS

D203,565	S	*	1/1966	Hack et al.	.....	D15/79
D359,966	S	*	7/1995	Laib et al.	.....	D15/90
D658,216	S	*	4/2012	Sorensen	.....	D15/90
D665,000	S	*	8/2012	Morelli et al.	.....	D15/90
D665,430	S	*	8/2012	Sorensen	.....	D15/90

\* cited by examiner

*Primary Examiner* — Daniel Bui

*Assistant Examiner* — Khawaja Anwar

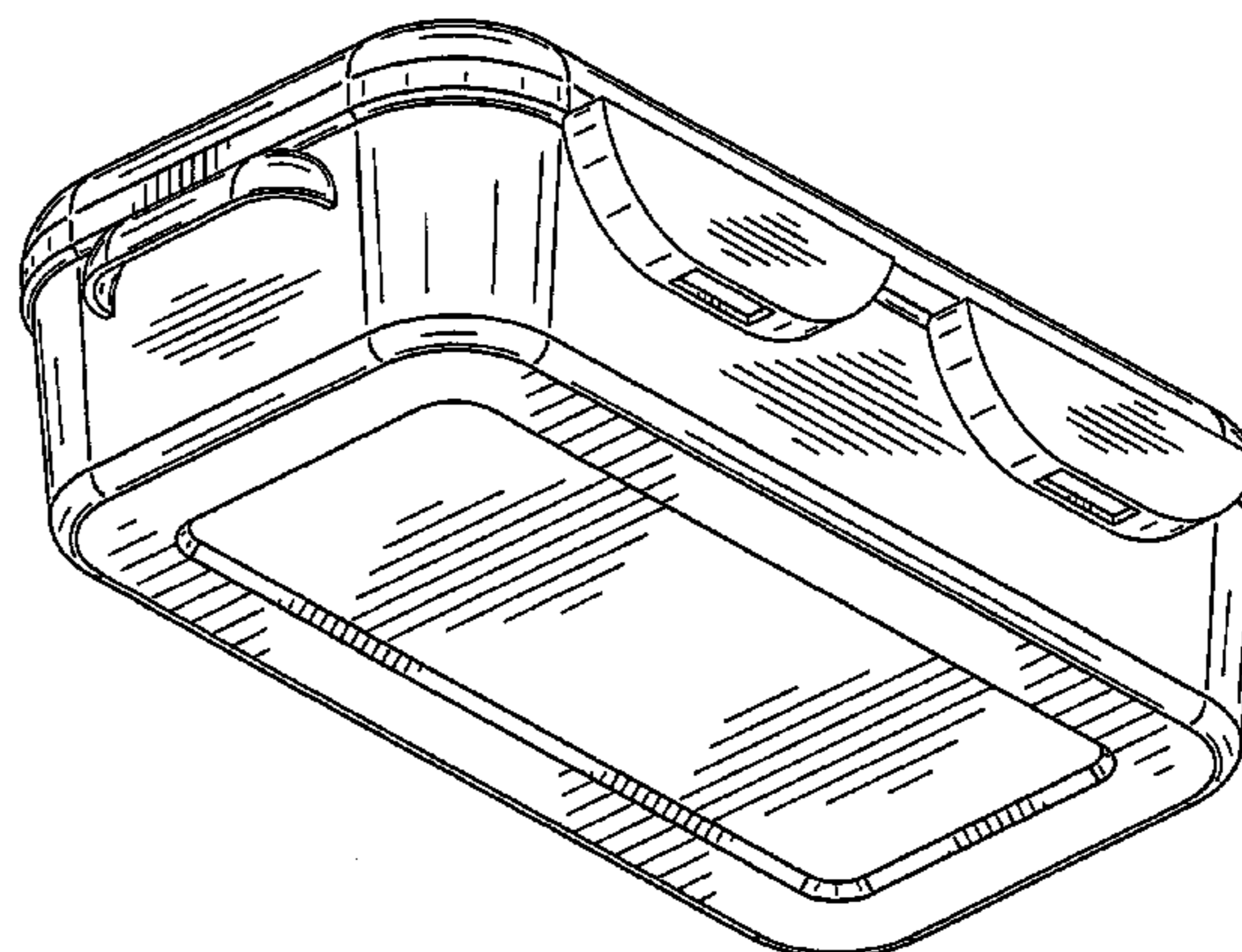
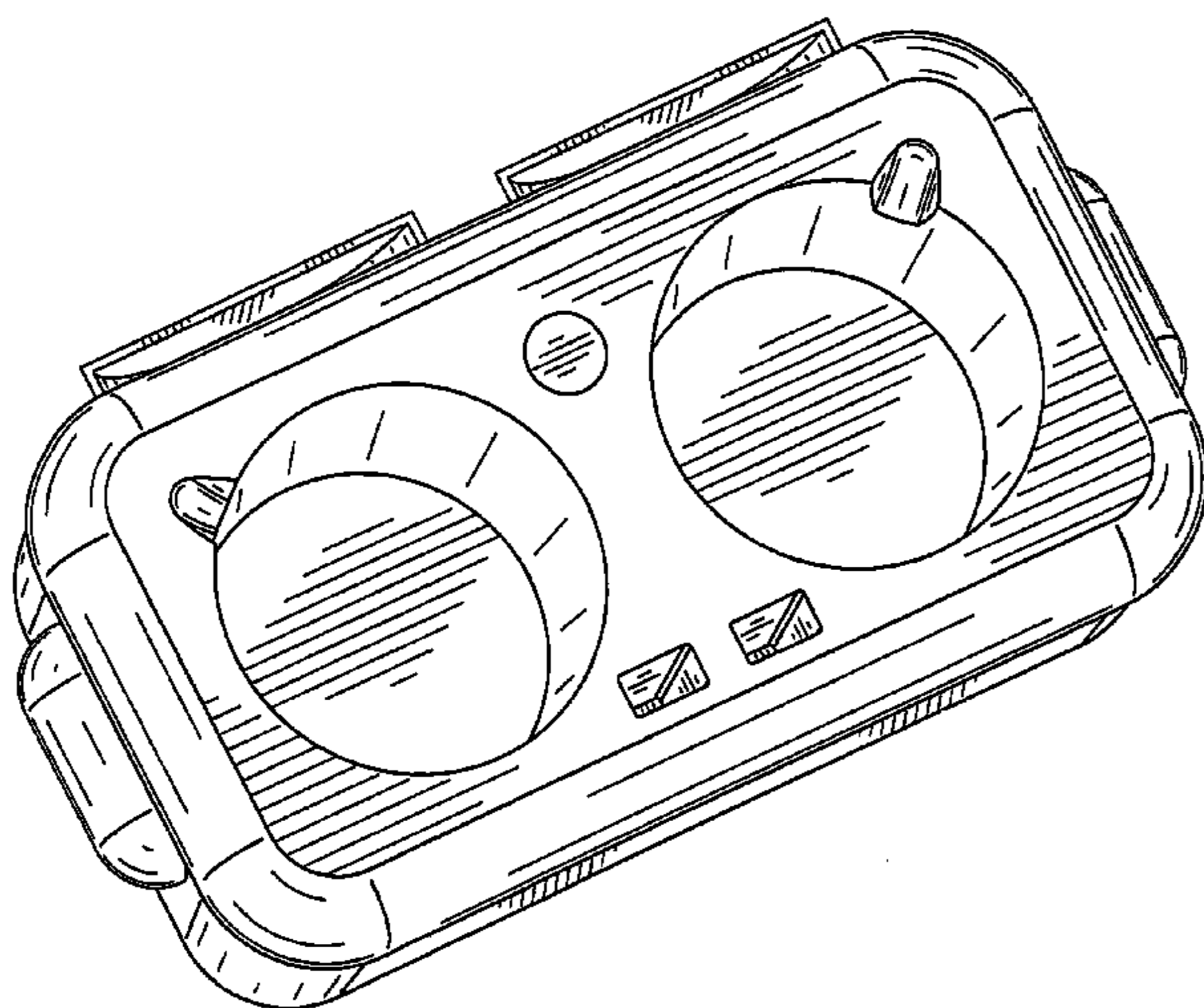
(57) **CLAIM**

The ornamental design for a re-freezable ice pack, as shown.

**DESCRIPTION**

FIG. 1 is a top perspective view of a re-freezable ice pack showing my new design;  
FIG. 2 is a bottom perspective view thereof;  
FIG. 3 is a top view thereof;  
FIG. 4 is a bottom view thereof;  
FIG. 5 is a left elevation view thereof, the right side being a mirror image.  
FIG. 6 is a front elevation view thereof; and,  
FIG. 7 is a rear elevation view thereof.

**1 Claim, 6 Drawing Sheets**



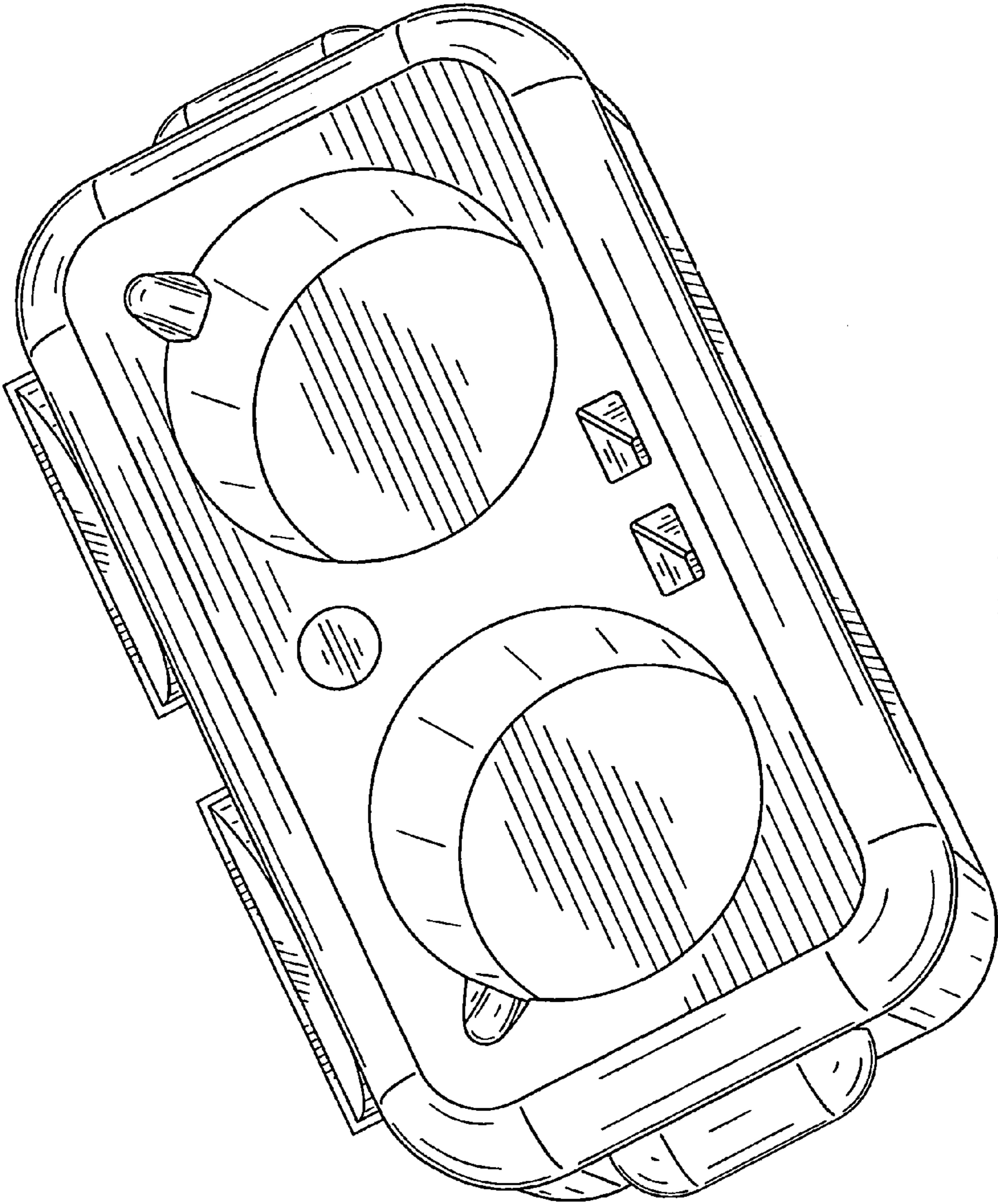


FIG. 1

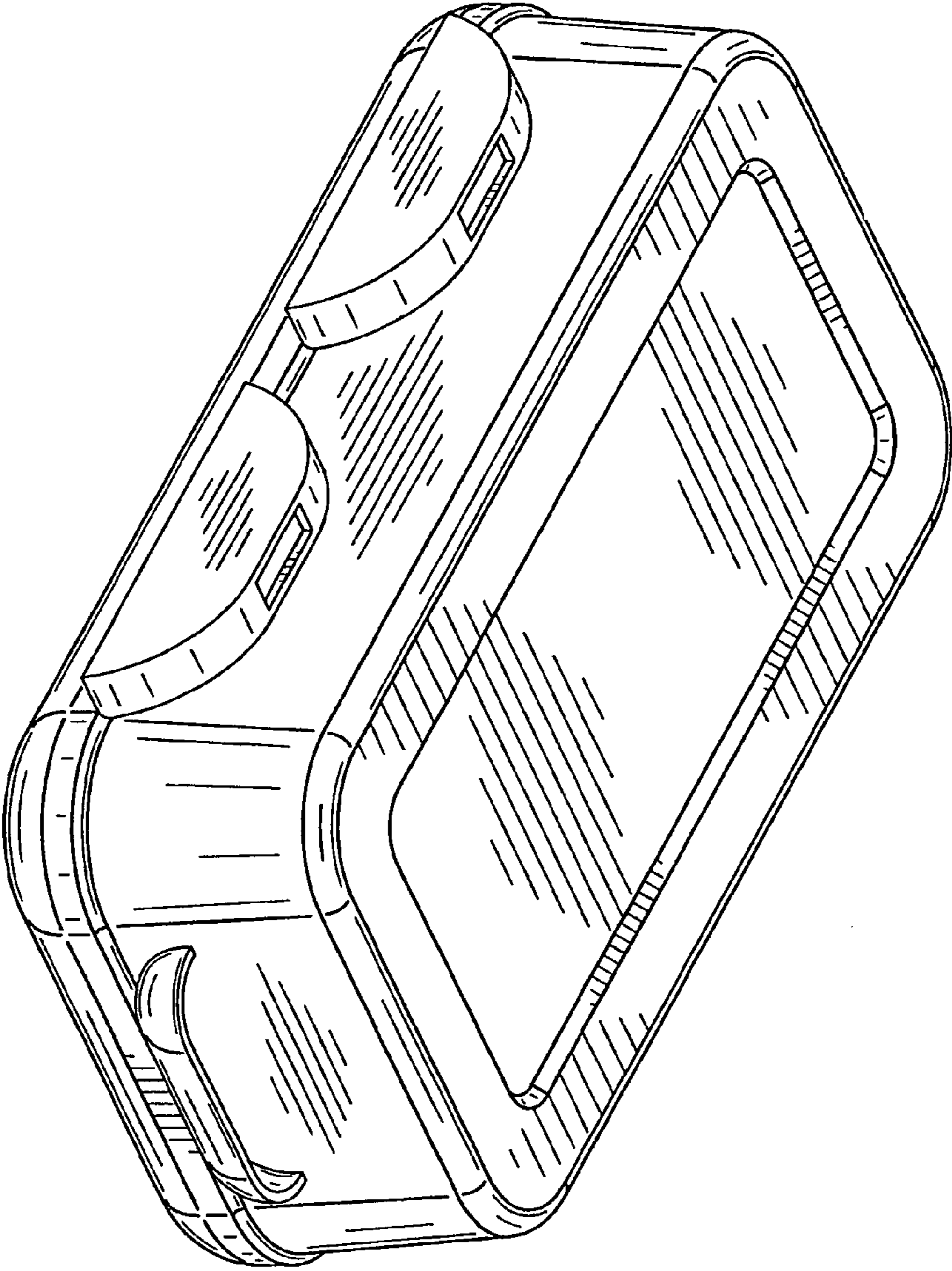


FIG. 2

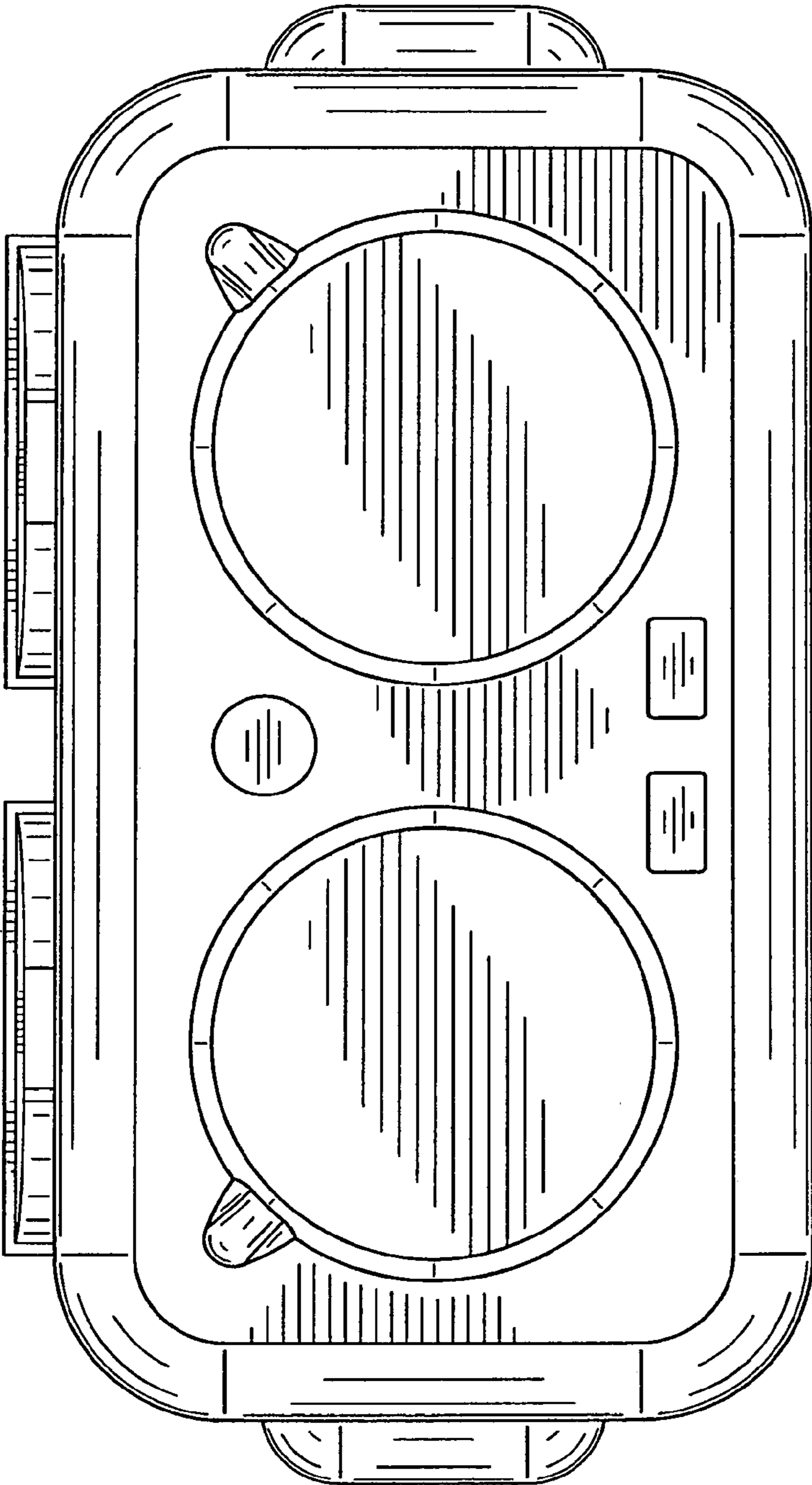


FIG. 3

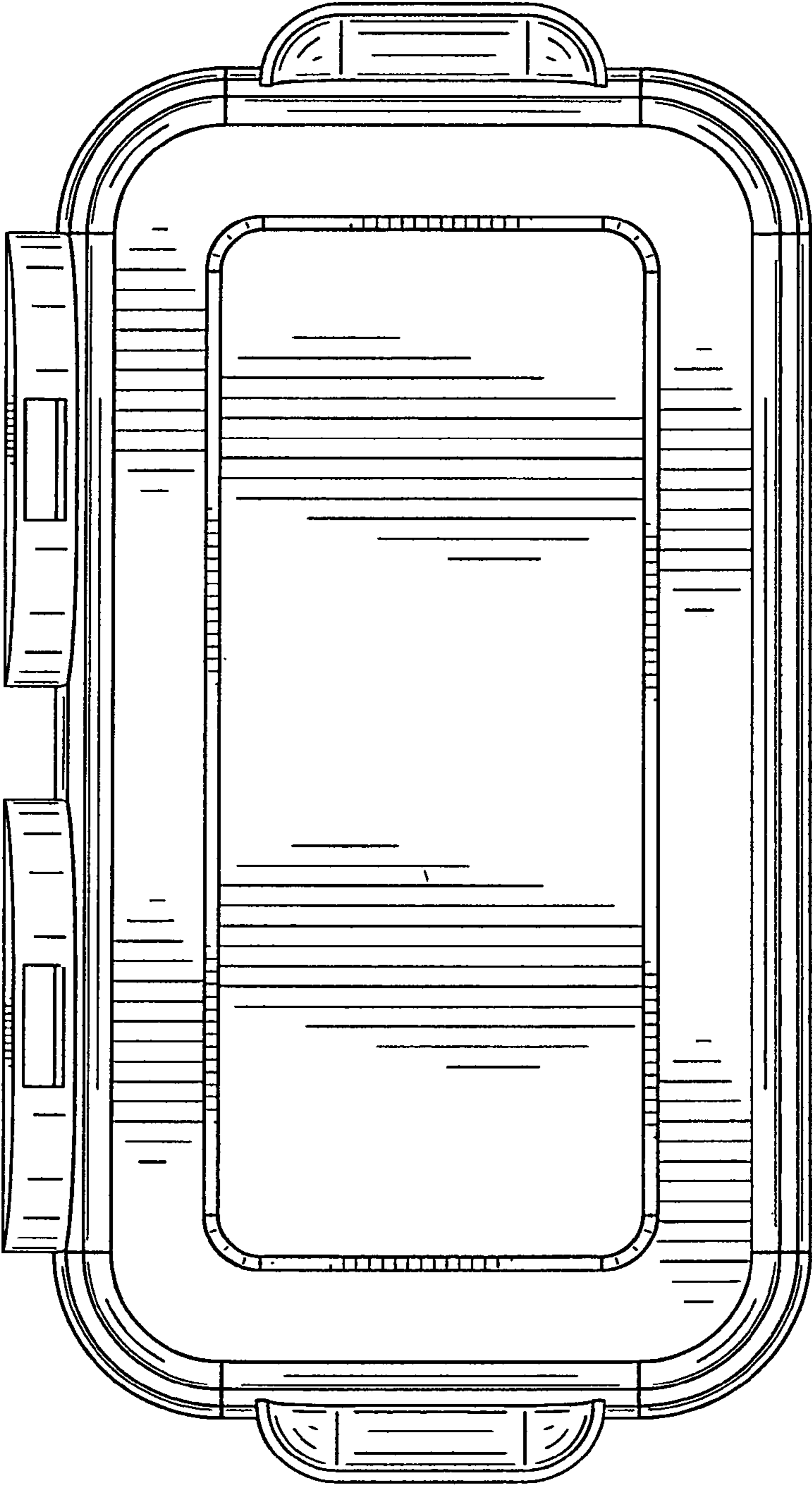


FIG. 4

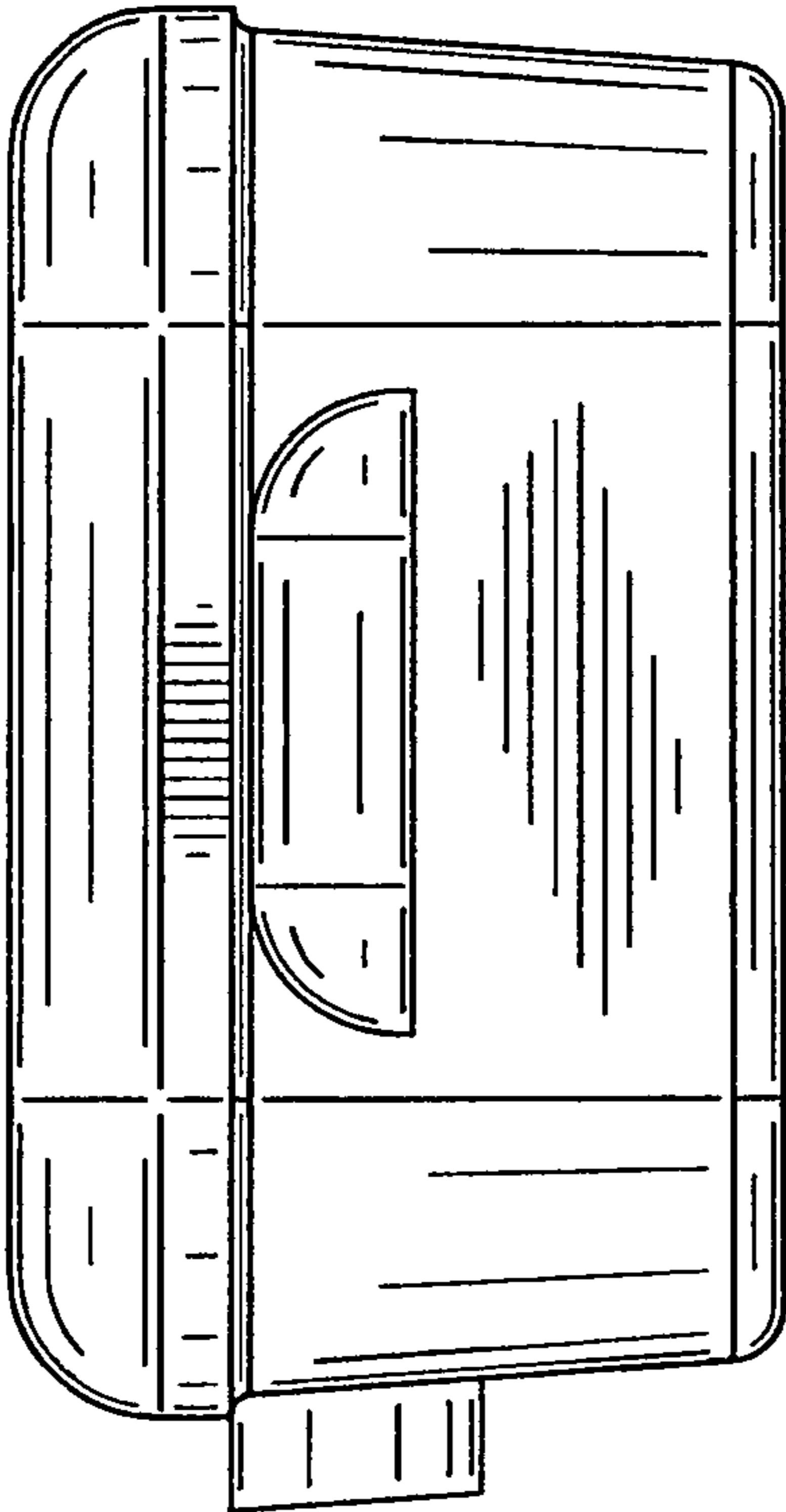


FIG. 5

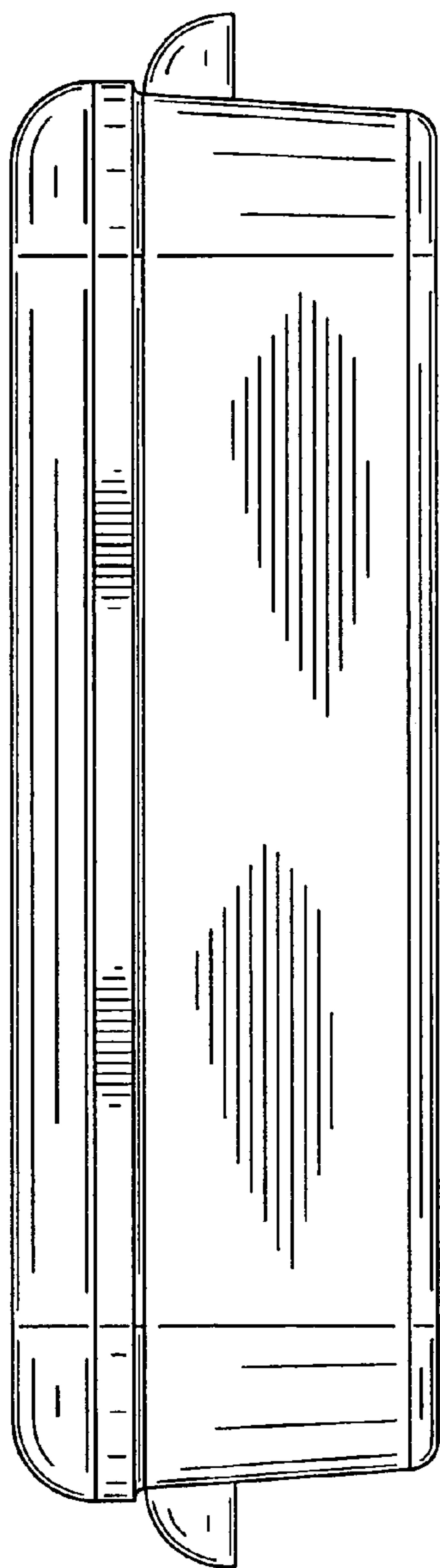


FIG. 6

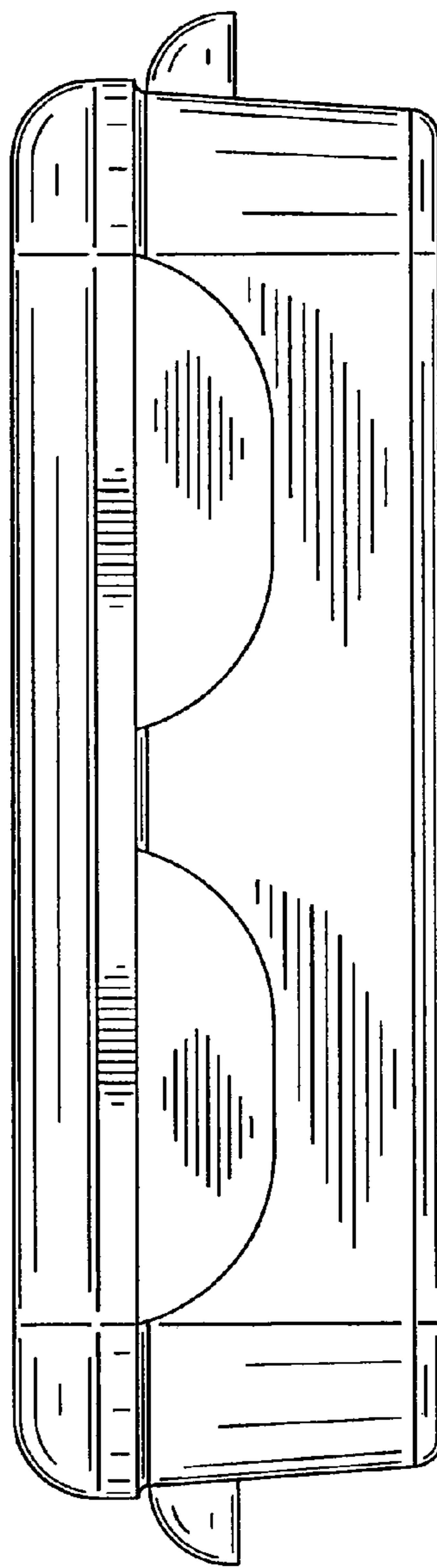


FIG. 7