



US00D733193S

(12) **United States Design Patent**
Szymanski

(10) **Patent No.:** **US D733,193 S**

(45) **Date of Patent:** **** Jun. 30, 2015**

(54) **LOOM DEVICE**

(71) Applicant: **Aaron Szymanski**, Thomaston, CT (US)

(72) Inventor: **Aaron Szymanski**, Thomaston, CT (US)

(73) Assignee: **Ideavillage Products Corp.**, Wayne, NJ (US)

(**) Term: **14 Years**

(21) Appl. No.: **29/474,022**

(22) Filed: **May 5, 2014**

(51) **LOC (10) Cl.** **15-06**

(52) **U.S. Cl.**
USPC **D15/78**

(58) **Field of Classification Search**
USPC D15/66-78
CPC B65H 2701/31-2701/319; D03D 29/00;
A44C 27/00
See application file for complete search history.

(56) **References Cited**

U.S. PATENT DOCUMENTS

D253,952 S * 1/1980 McBride D15/78
D676,069 S * 2/2013 Fujiwara D15/78

D700,220 S * 2/2014 Crorey D15/78
D707,732 S * 6/2014 Crorey D15/66
8,746,753 B2 * 6/2014 Crorey 289/13
D721,744 S * 1/2015 Daftari D15/66
8,931,811 B1 * 1/2015 Ng 289/17
8,936,283 B2 * 1/2015 Ng 289/17
8,973,955 B2 * 3/2015 Ng 289/17

* cited by examiner

Primary Examiner — Mitchell Siegel

(74) *Attorney, Agent, or Firm* — Dan M. DeLaRosa

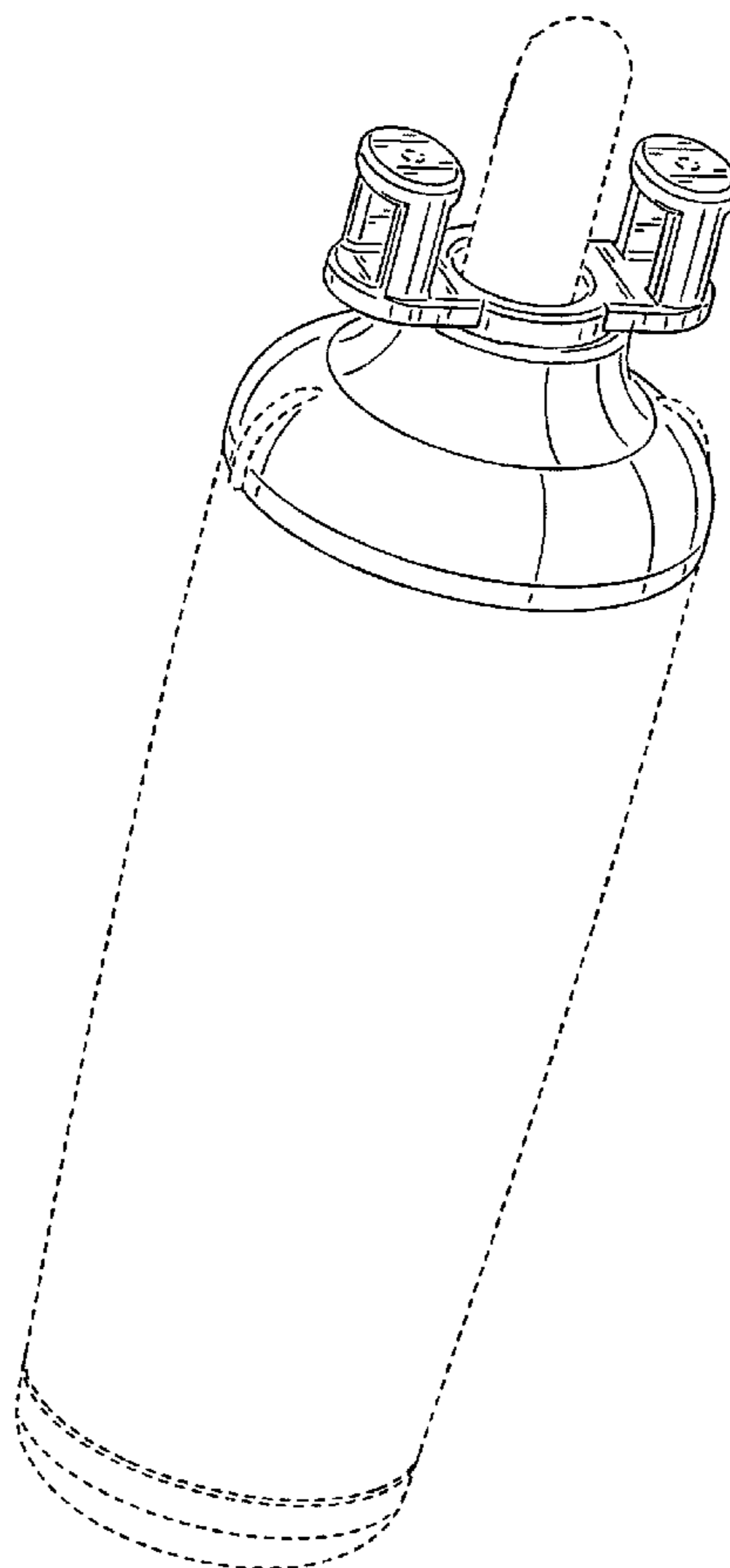
(57) **CLAIM**

The ornamental design for a loom device, as shown and described.

DESCRIPTION

FIG. 1 is a front perspective view of the clip device of the present invention showing my new design;
FIG. 2 is a front side elevation view thereof;
FIG. 3 is a back side elevation view thereof;
FIG. 4 is a side elevation view thereof;
FIG. 5 is another side elevation view thereof;
FIG. 6 is a top plan view thereof; and,
FIG. 7 is a bottom plan view thereof.

1 Claim, 6 Drawing Sheets



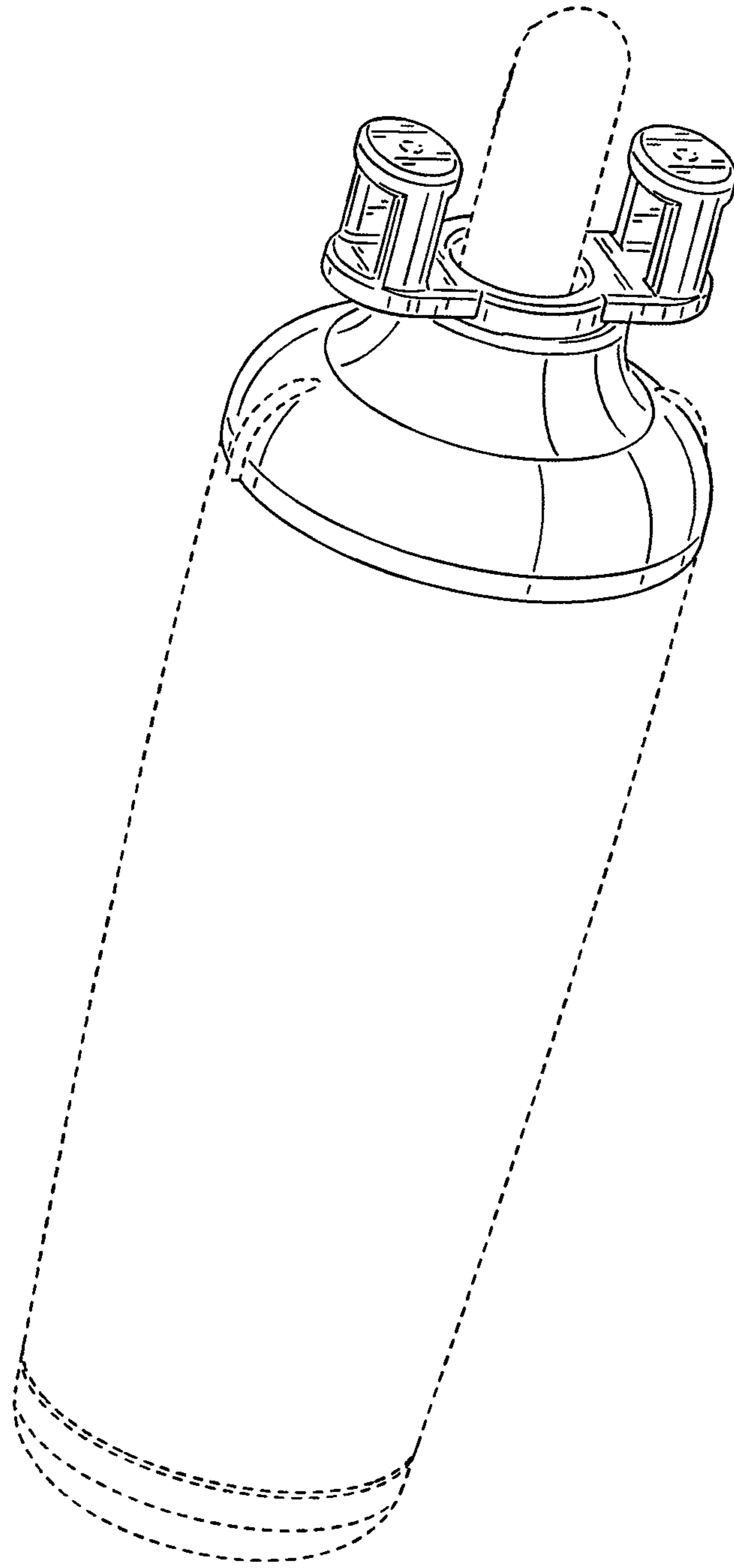


FIG. 1

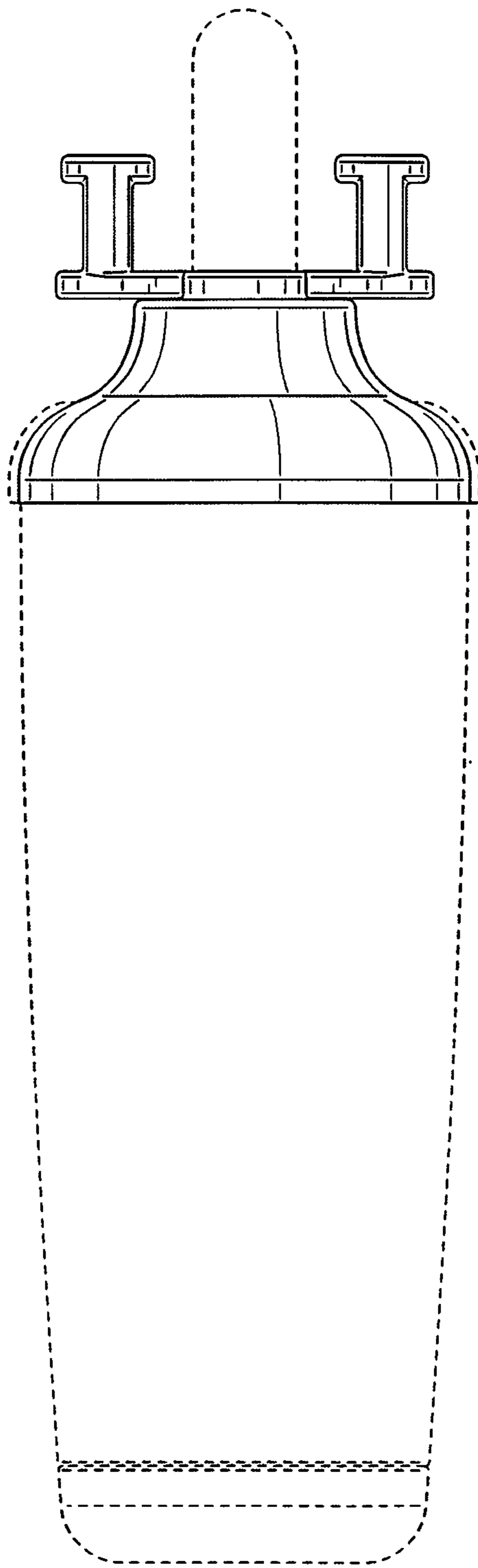


FIG. 2

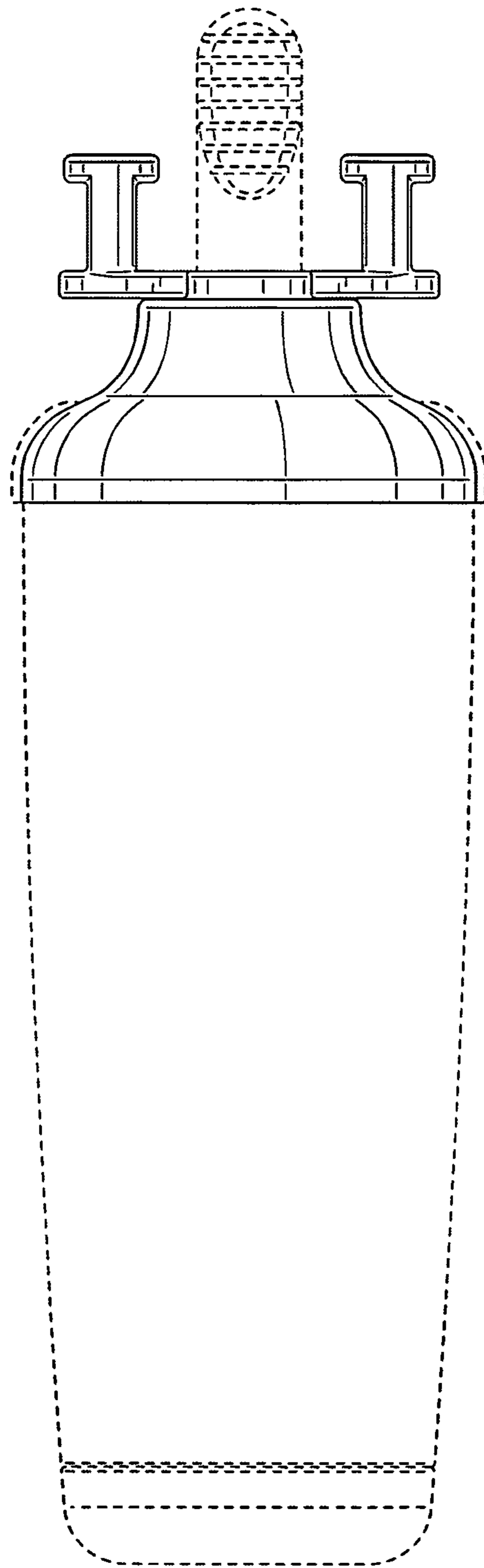


FIG. 3

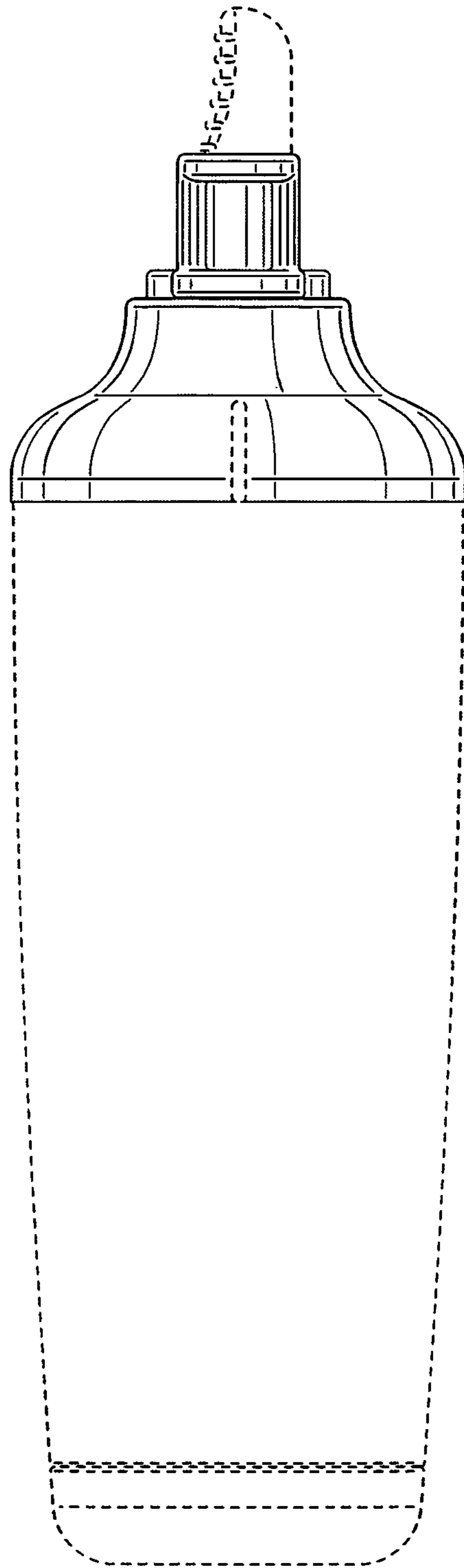


FIG. 4

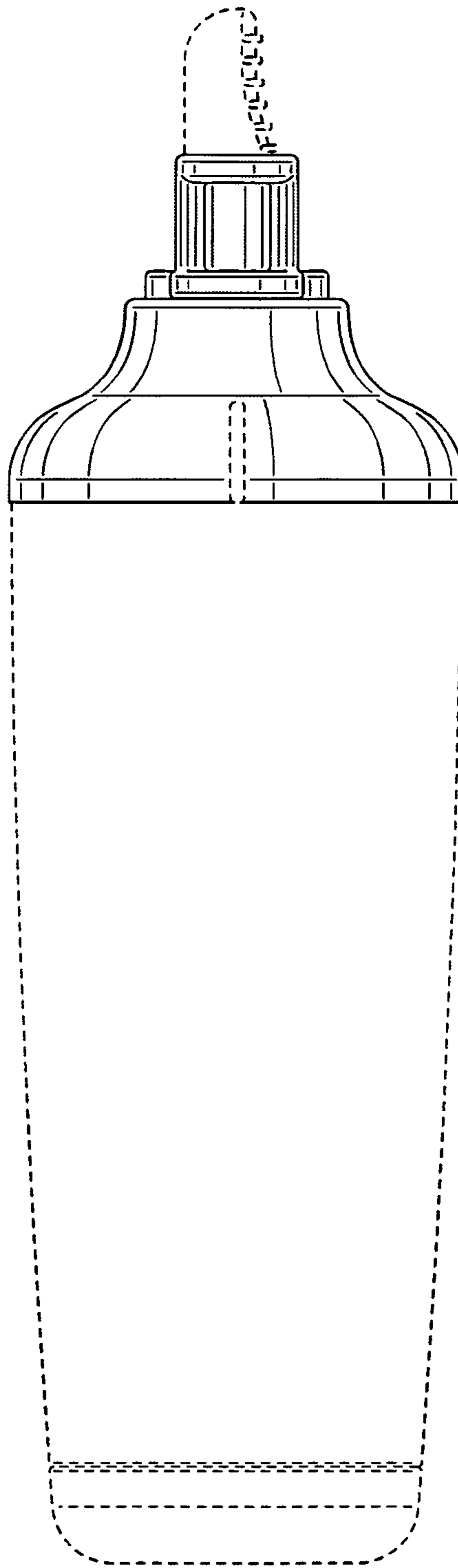


FIG. 5

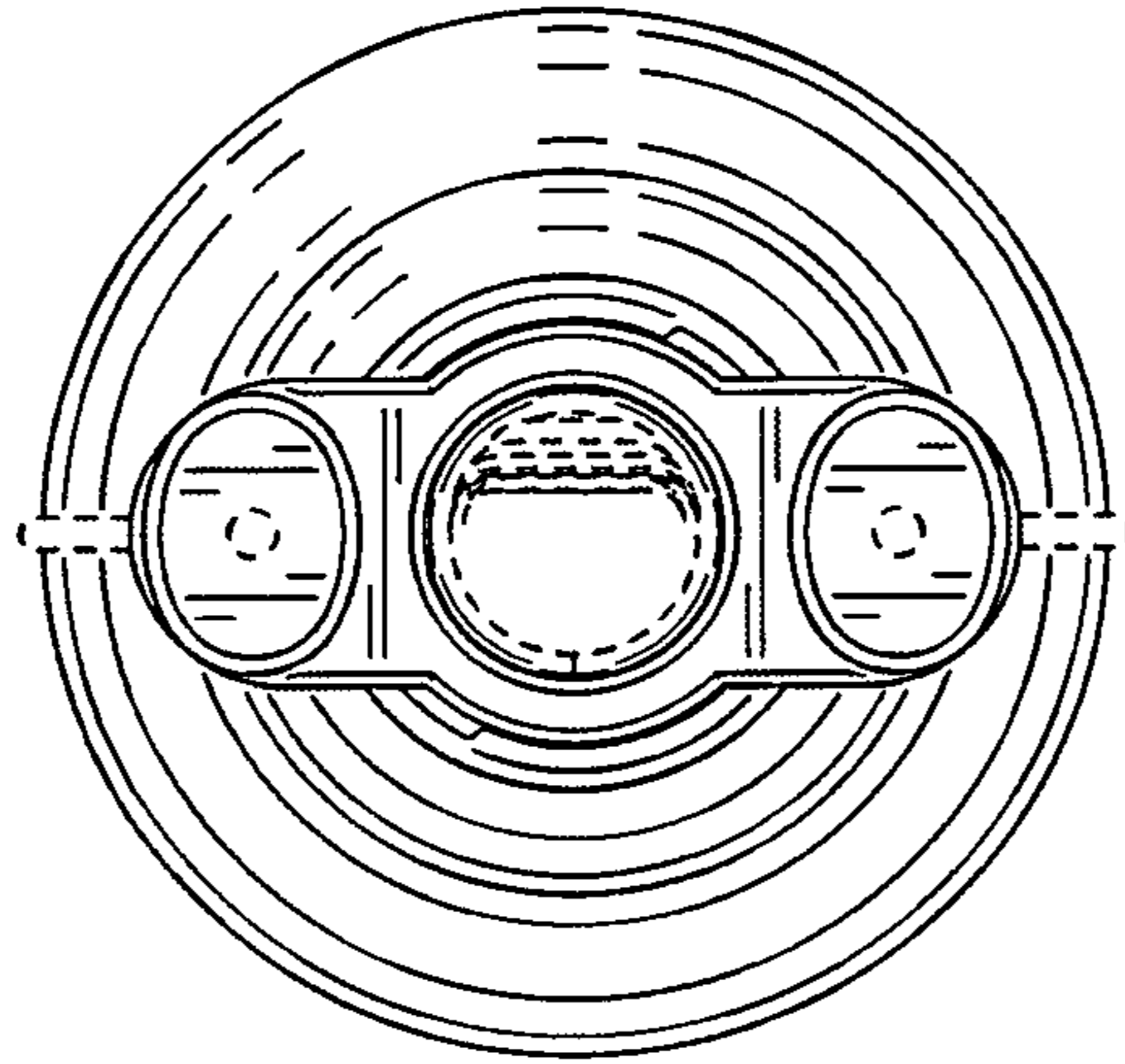


FIG. 6

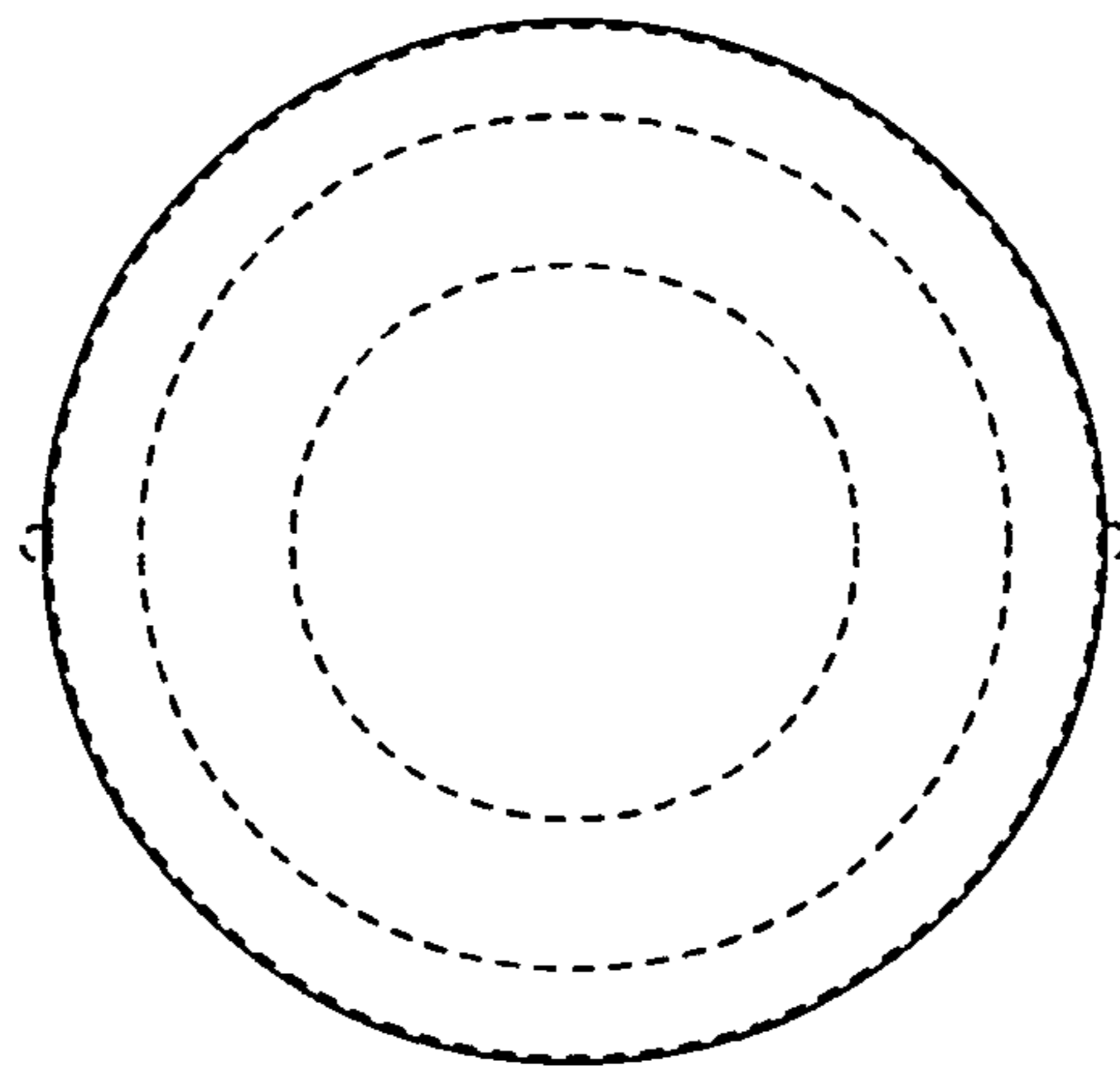


FIG. 7