



US00D733190S

(12) **United States Design Patent**
West

(10) **Patent No.:** **US D733,190 S**
(45) **Date of Patent:** **** Jun. 30, 2015**

- (54) **PERISTALTIC PUMP CAP**
- (71) Applicant: **Richard L. West**, Lake Villa, IL (US)
- (72) Inventor: **Richard L. West**, Lake Villa, IL (US)
- (**) Term: **14 Years**
- (21) Appl. No.: **29/510,286**
- (22) Filed: **Nov. 26, 2014**
- (51) **LOC (10) Cl.** **15-02**
- (52) **U.S. Cl.**
USPC **D15/7**
- (58) **Field of Classification Search**
USPC D15/7-9; D23/231, 232, 225; 417/60,
417/235, 265, 321, 355, 358, 363, 359,
417/410.1, 415-416, 405, 900, 477.1,
417/477.8; 60/408, 412; 184/26-37;
415/140-147; 123/495, 509;
137/565.34; D24/216
CPC F02M 37/04; F02M 37/14; F04B 43/12;
F04B 43/08
See application file for complete search history.

- D400,211 S * 10/1998 Thallemer et al. D15/7
- D404,040 S * 1/1999 Suthmann D15/7
- 7,591,639 B2 * 9/2009 Kent 417/477.8
- D637,209 S * 5/2011 Wessol D15/7
- 8,747,084 B2 * 6/2014 Richardson et al. 417/477.3
- D714,459 S * 9/2014 Develon D24/216
- 8,905,730 B2 * 12/2014 Ashburn 417/477.1
- D723,063 S * 2/2015 Edler et al. D15/7

* cited by examiner

Primary Examiner — Ralf Seifert

(74) *Attorney, Agent, or Firm* — Hanna Yoon; Scott M. Day

(57) **CLAIM**

The ornamental design for the peristaltic pump cap, as shown and described.

DESCRIPTION

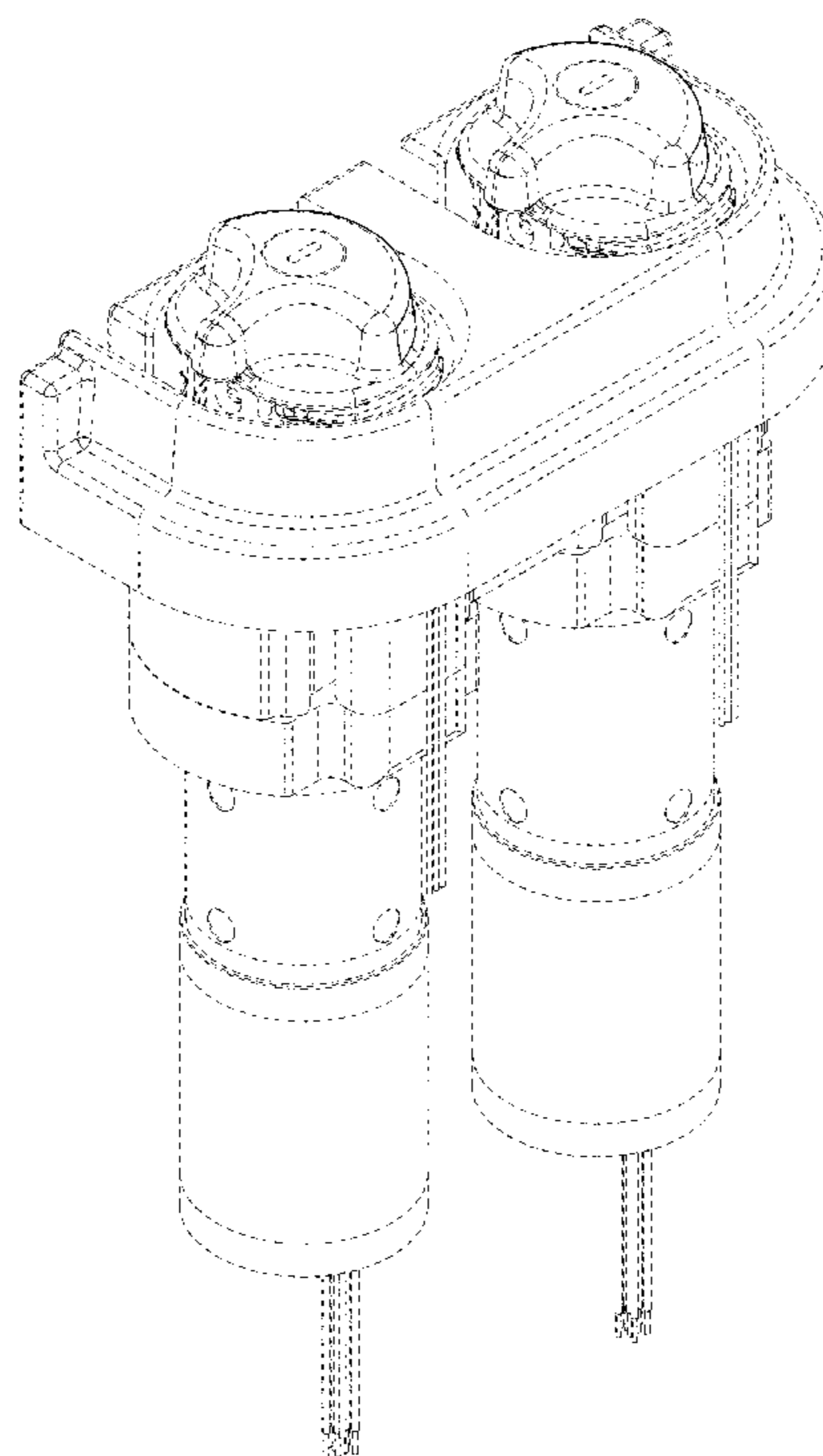
FIG. 1 is a front, left perspective view of a peristaltic pump cap, shown in its environment;
 FIG. 2 is a back, left perspective view of the peristaltic pump cap of FIG. 1;
 FIG. 3 is a side, left view of the peristaltic pump cap of FIG. 1;
 FIG. 4 is a side, right view of the peristaltic pump cap of FIG. 1;
 FIG. 5 is a back view of the peristaltic pump cap of FIG. 1;
 FIG. 6 is a front view of the peristaltic pump cap of FIG. 1;
 FIG. 7 is a top view of the peristaltic pump cap of FIG. 1; and,
 FIG. 8 is a bottom view of the peristaltic pump cap of FIG. 1.
 Broken line illustration of structure in the drawing is not part of the design sought to be patented.

1 Claim, 6 Drawing Sheets

(56) **References Cited**

U.S. PATENT DOCUMENTS

- 3,922,119 A * 11/1975 Rosenquist 418/45
- 4,214,855 A * 7/1980 Gerritsen 417/477.8
- 4,515,536 A * 5/1985 van Os 417/394
- 5,088,522 A * 2/1992 Rath et al. 138/119
- 5,249,938 A * 10/1993 Hall 417/477.3
- 5,375,984 A * 12/1994 Wehling 417/477.1
- 5,466,133 A * 11/1995 Tuck, Jr. 418/2
- D373,365 S * 9/1996 Schoenmeyr D15/7



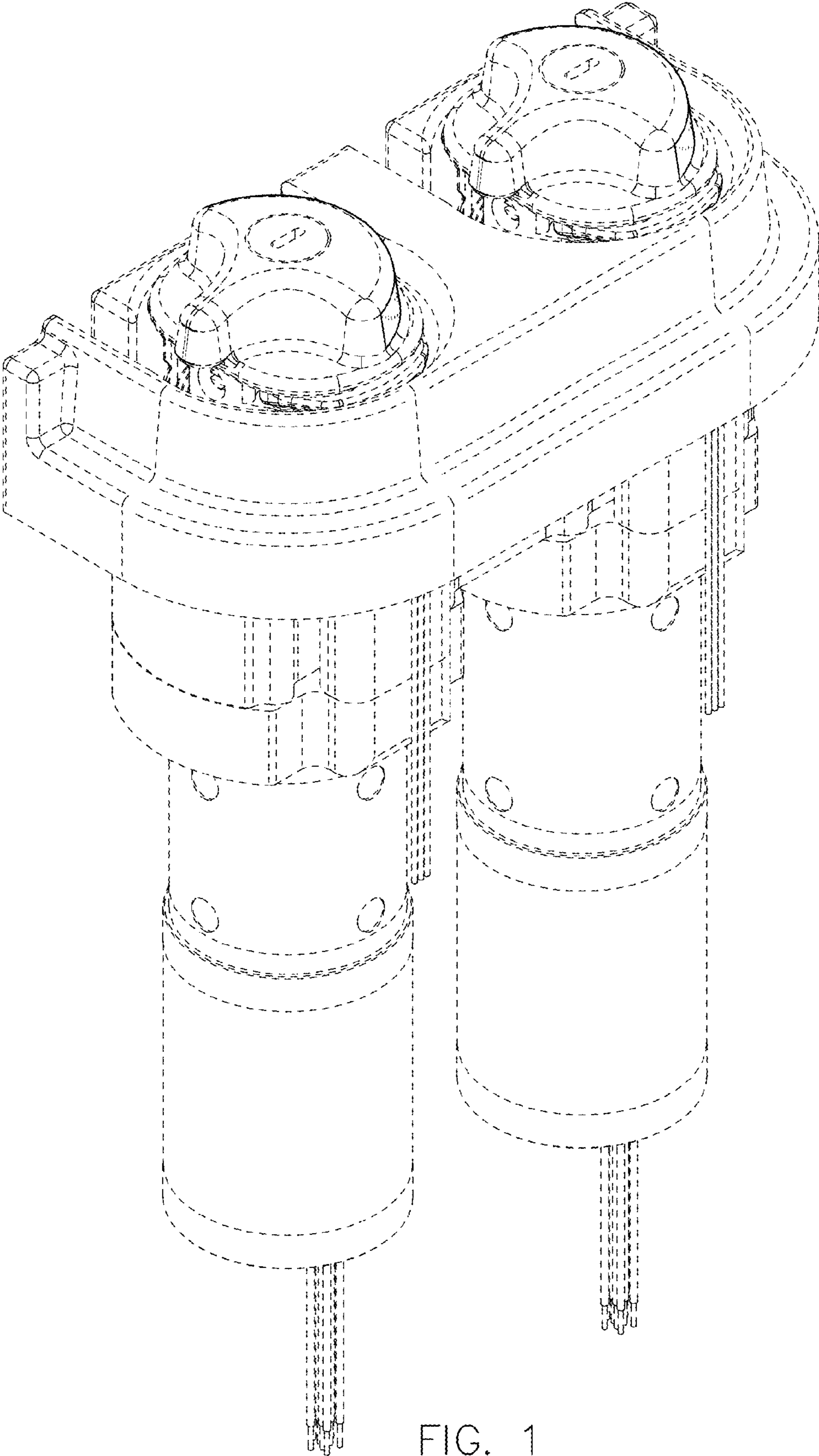


FIG. 1

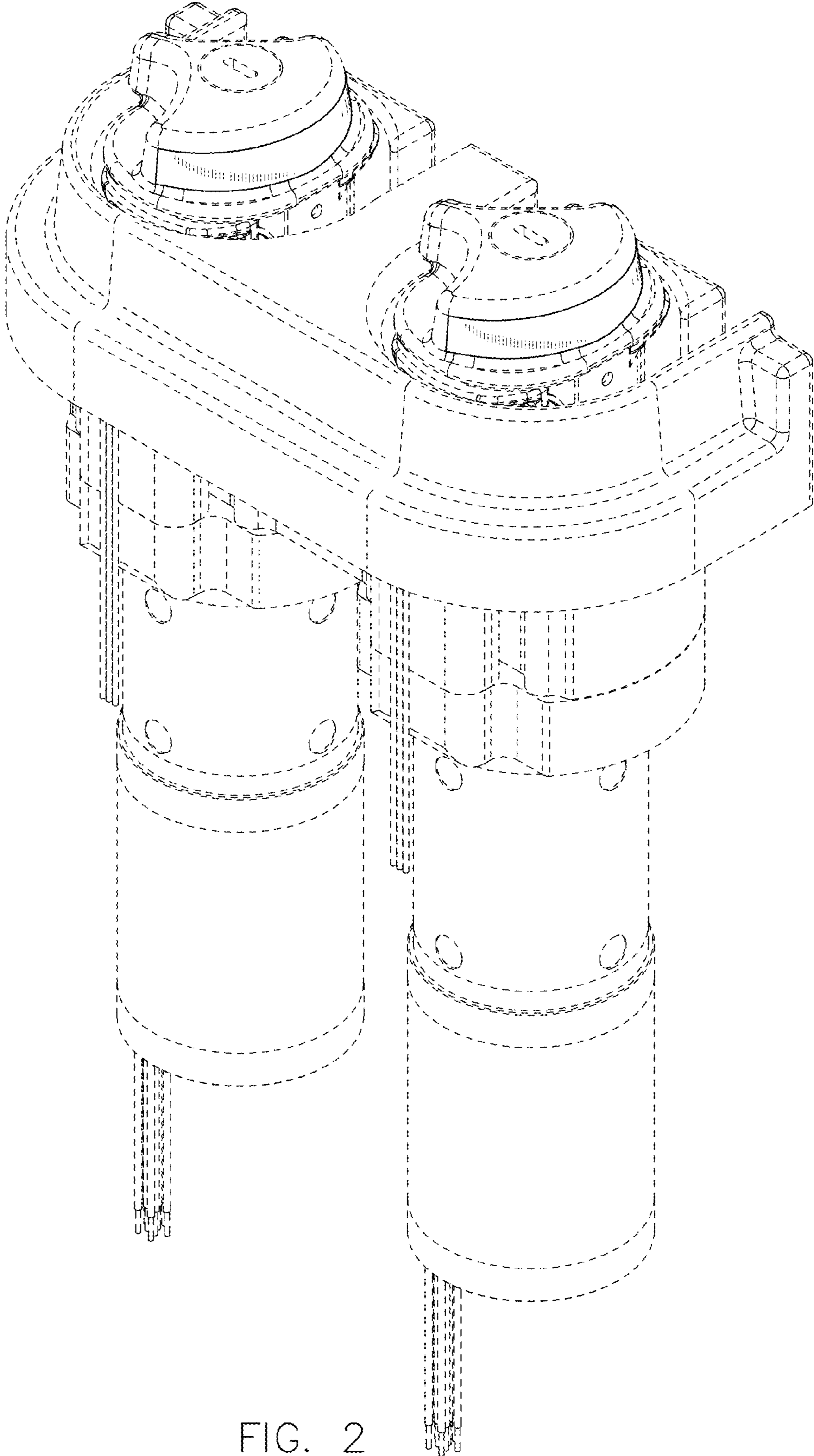


FIG. 2

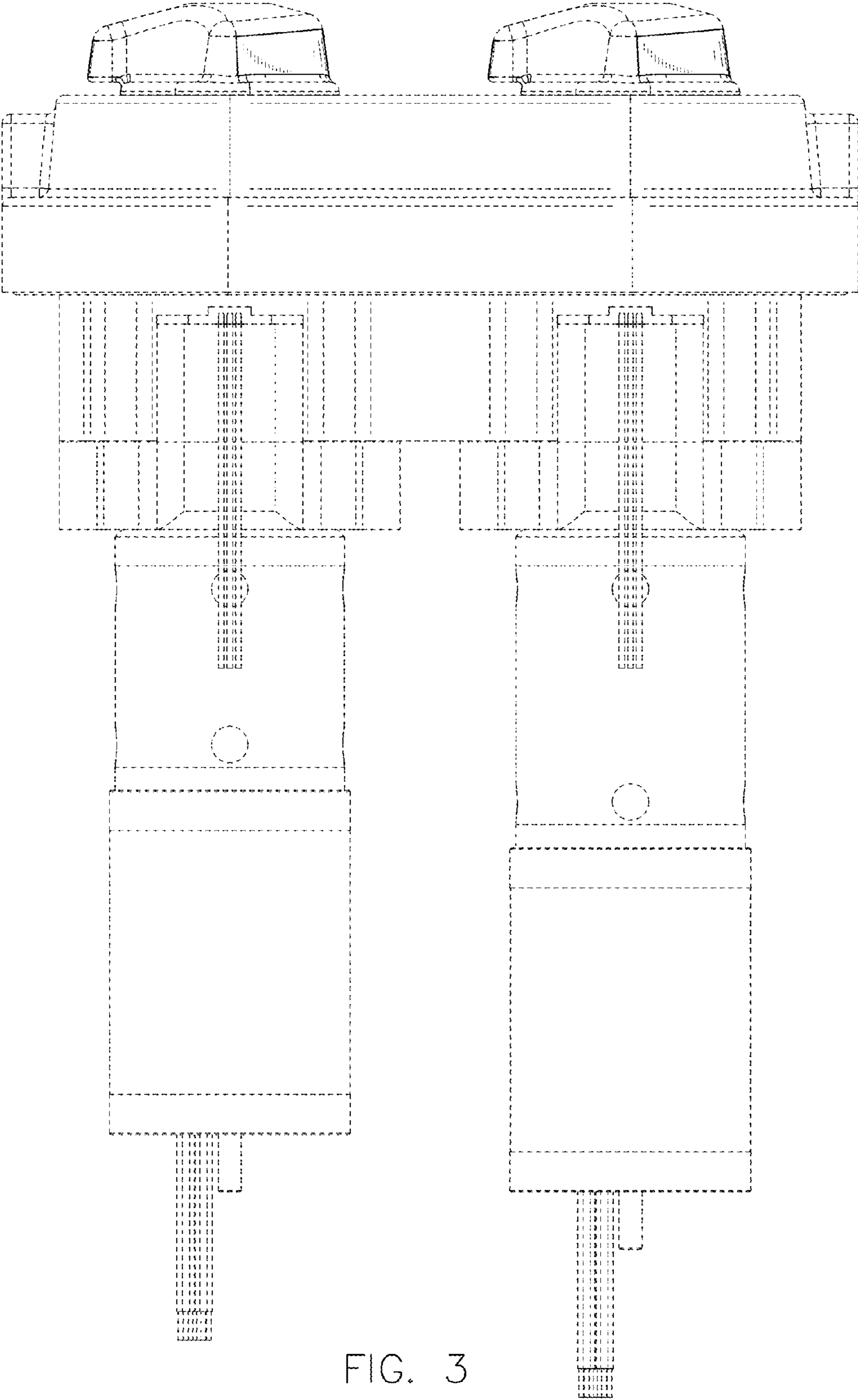


FIG. 3

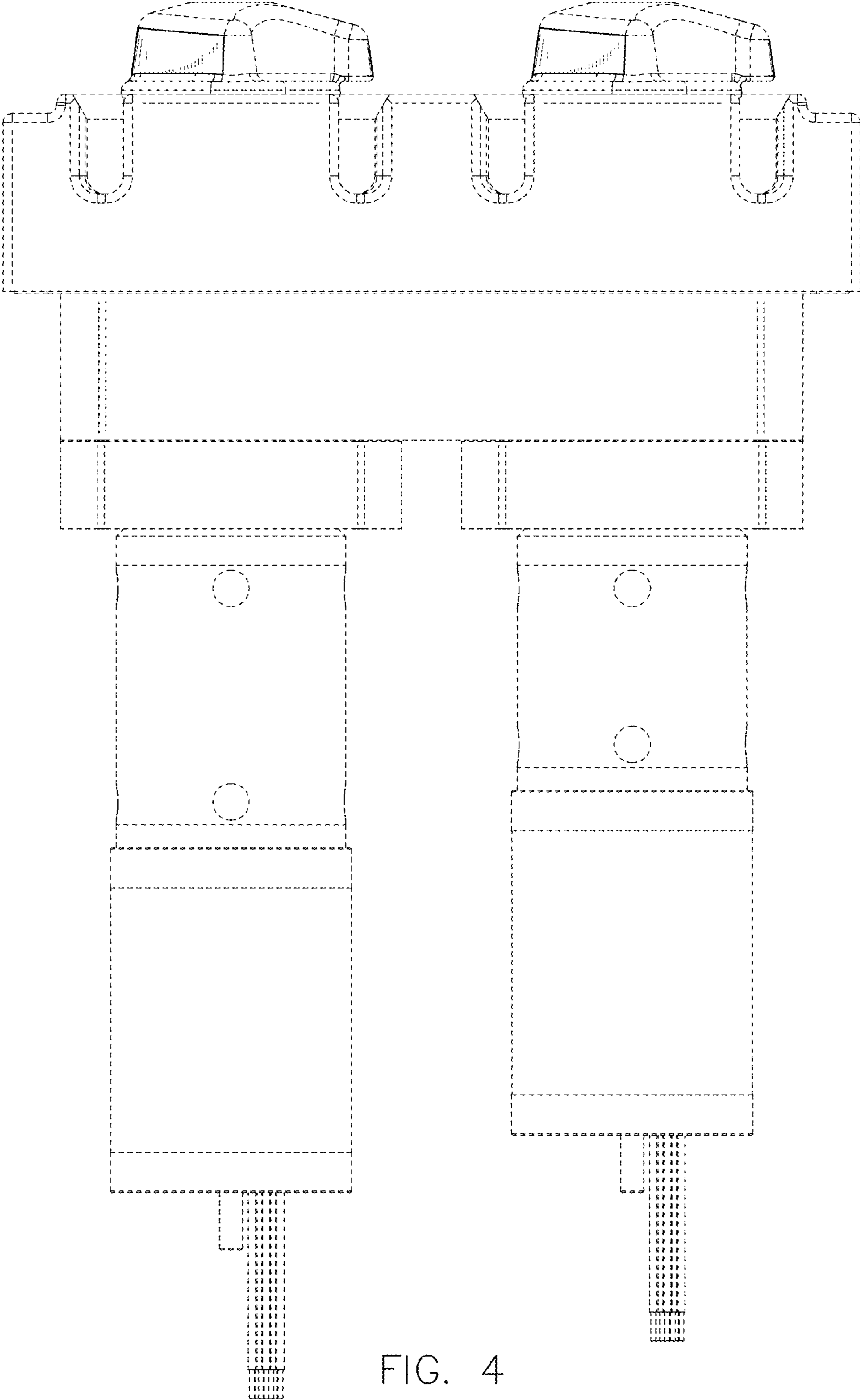


FIG. 4

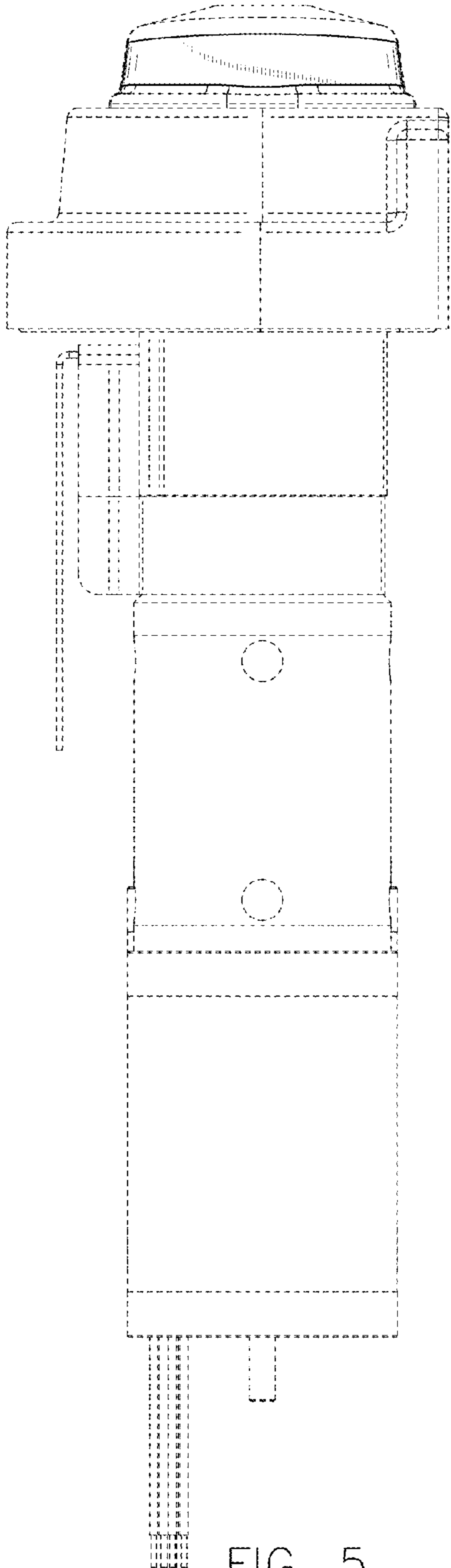


FIG. 5

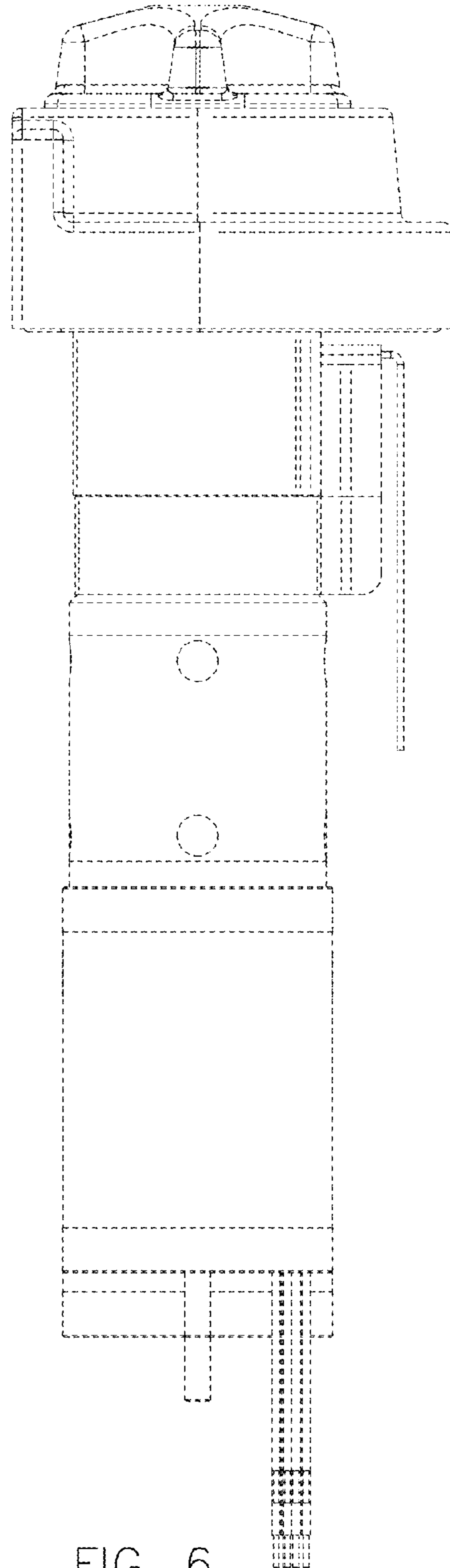


FIG. 6

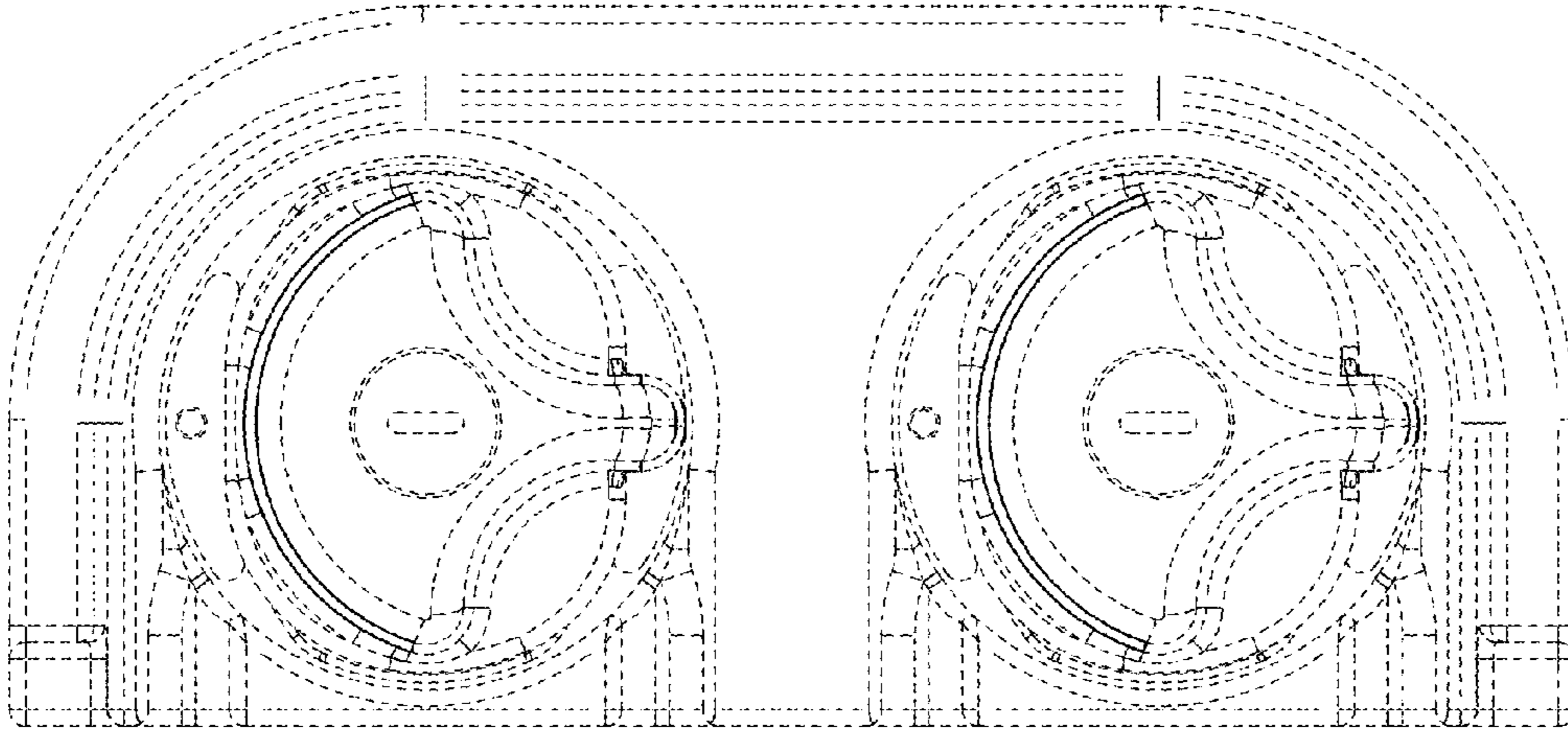


FIG. 7

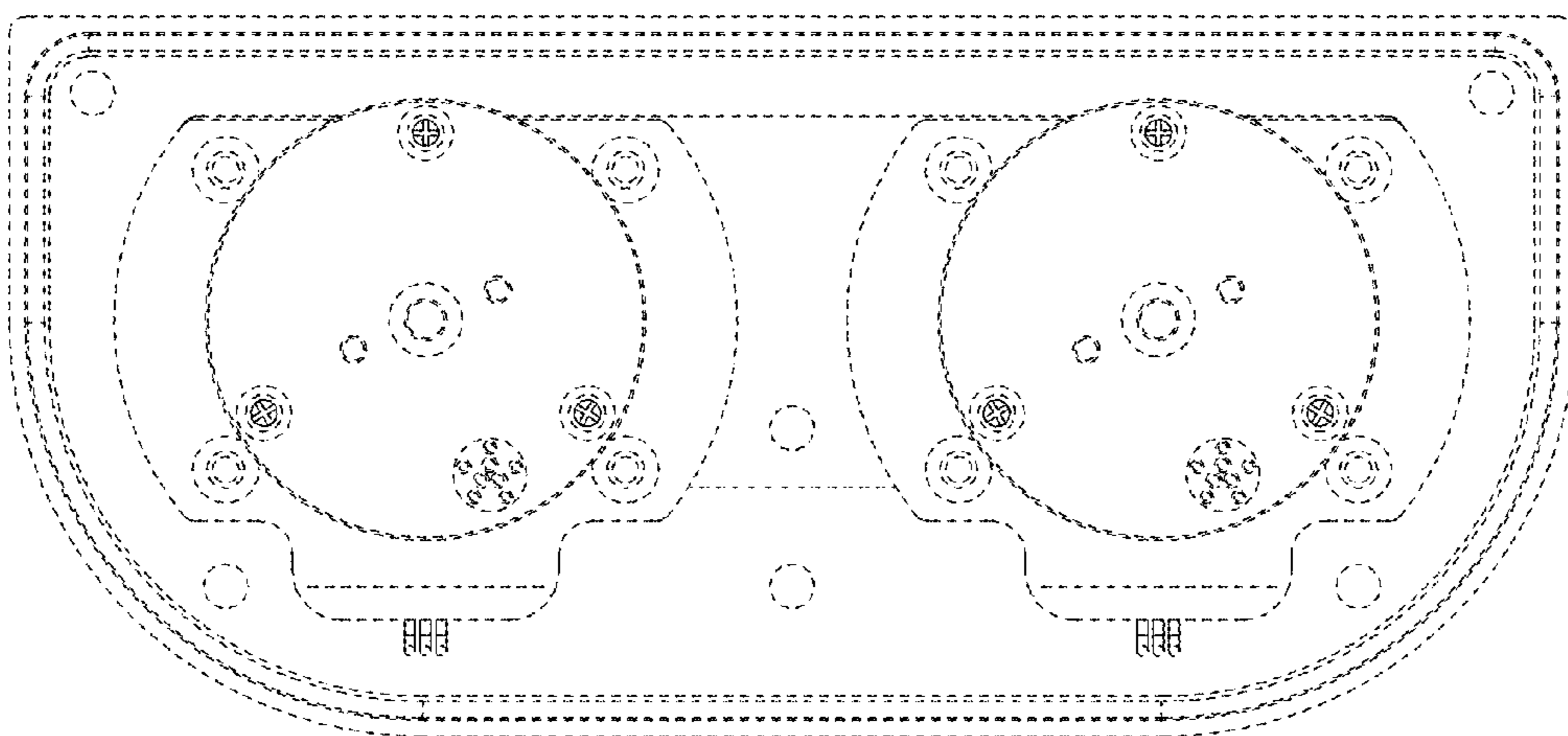


FIG. 8