



US00D733189S

(12) **United States Design Patent**  
**Irick et al.**

(10) **Patent No.:** **US D733,189 S**  
(45) **Date of Patent:** **\*\* Jun. 30, 2015**

- (54) **SUMP DRUM WITH CARRIAGE**
- (71) Applicant: **AMERICAN CERAMIC TECHNOLOGY, INC.**, Poway, CA (US)
- (72) Inventors: **Virgil Irick**, Anderson, SC (US);  
**Jerrald S. McCall**, Six Mile, SC (US)
- (73) Assignee: **American Ceramic Technology**, Poway, CA (US)
- (\*\*) Term: **14 Years**
- (21) Appl. No.: **29/488,010**
- (22) Filed: **Apr. 15, 2014**
- (51) **LOC (10) Cl.** ..... **15-02**
- (52) **U.S. Cl.**  
USPC ..... **D15/7**
- (58) **Field of Classification Search**  
USPC ..... D15/7-9; D23/231, 232, 225; 417/60, 417/235, 265, 321, 355, 358, 363, 359, 417/410.1, 415-416, 405, 900; 60/408, 60/412; 184/26-37; 415/140-147, 198.1, 415/98; 123/495, 509; 137/565.34  
CPC ..... F04D 29/28  
See application file for complete search history.

D243,282	S	*	2/1977	Burenga	.....	D15/9
4,077,747	A	*	3/1978	Burenga	.....	417/234
4,109,831	A	*	8/1978	Culpepper et al.	.....	222/254
4,787,827	A	*	11/1988	Hinkle et al.	.....	417/234
D332,613	S	*	1/1993	Keller	.....	D15/9
D405,805	S	*	2/1999	Rock	.....	D15/7
5,924,598	A	*	7/1999	Bradshaw	.....	222/63
D446,792	S	*	8/2001	Matthew et al.	.....	D15/9
D447,151	S	*	8/2001	Matthew et al.	.....	D15/9
D449,311	S	*	10/2001	Graber et al.	.....	D15/9
D498,244	S	*	11/2004	Chen	.....	D15/7
D662,517	S	*	6/2012	Hawkins	.....	D15/9
D668,267	S	*	10/2012	Hawkins	.....	D15/7
8,887,966	B2	*	11/2014	Quam	.....	222/261

\* cited by examiner

*Primary Examiner* — Ralf Seifert

(74) *Attorney, Agent, or Firm* — Nexsen Pruet, LLC

(57) **CLAIM**

The ornamental design of the sump drum(s) with carriage, substantially as shown and described.

**DESCRIPTION**

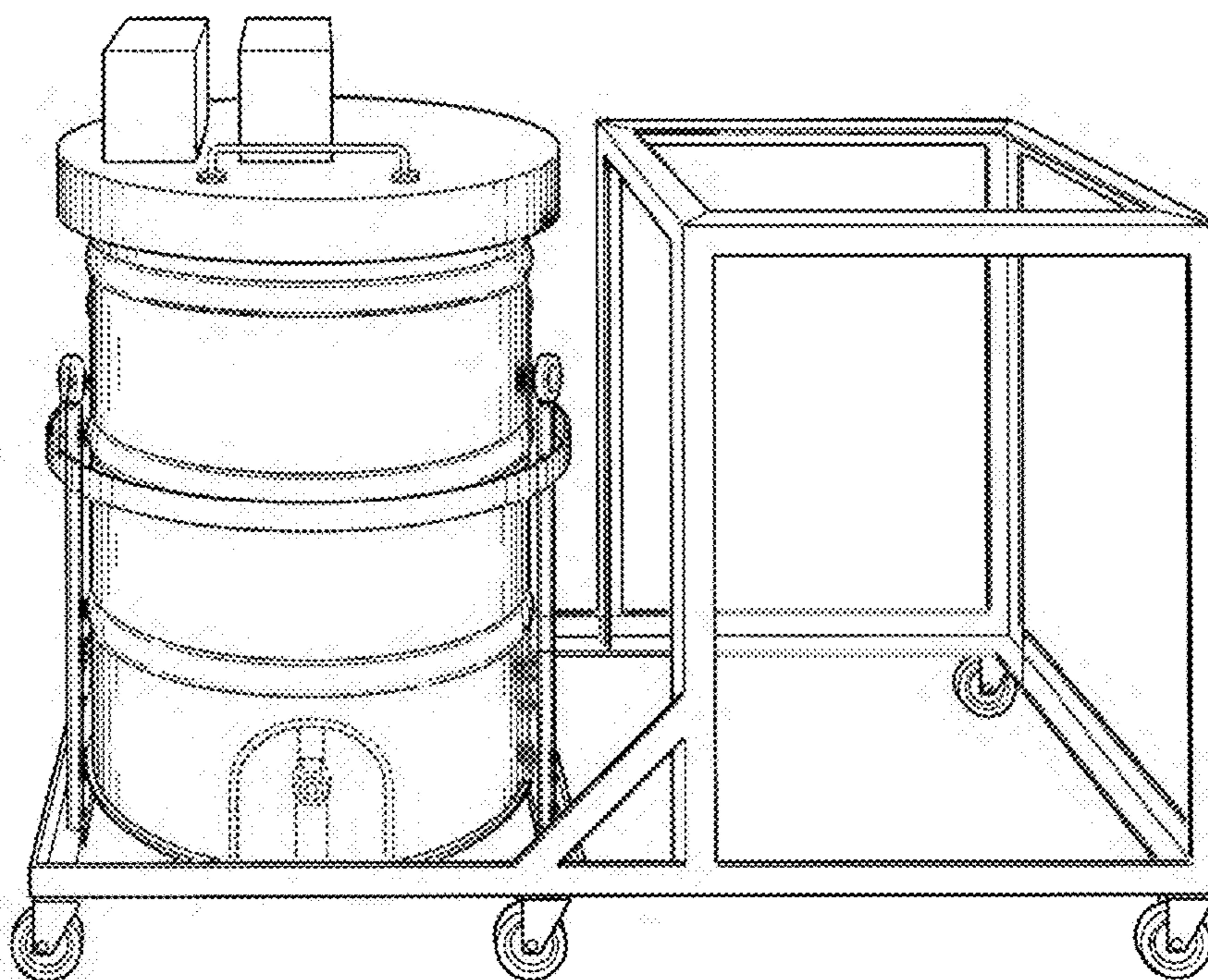
FIG. 1 is a perspective view of a sump drain with carriage showing our new design;  
 FIG. 2 is a front view thereof;  
 FIG. 3 is a rear view thereof;  
 FIG. 4 is a top view thereof;  
 FIG. 5 is a bottom view thereof;  
 FIG. 6 is a left side view thereof; and,  
 FIG. 7 is a right side view thereof.  
 The broken lines represent environmental subject matter and form no part of the claimed design.

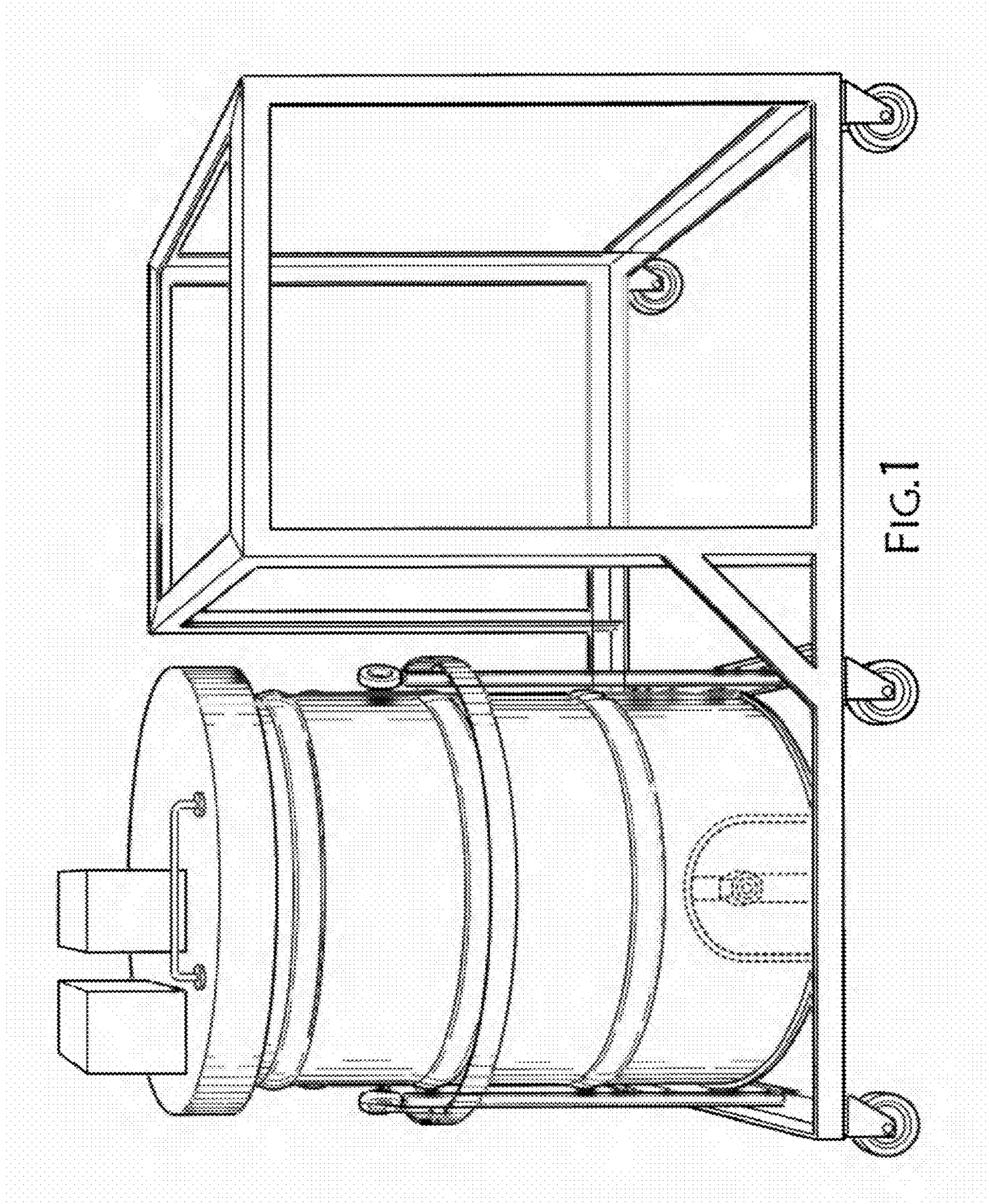
**1 Claim, 6 Drawing Sheets**

(56) **References Cited**

**U.S. PATENT DOCUMENTS**

3,248,020	A	*	4/1966	Spalding	.....	222/243
3,305,137	A	*	2/1967	Gauthier et al.	.....	222/136
D231,132	S	*	4/1974	Seastrom	.....	D15/7





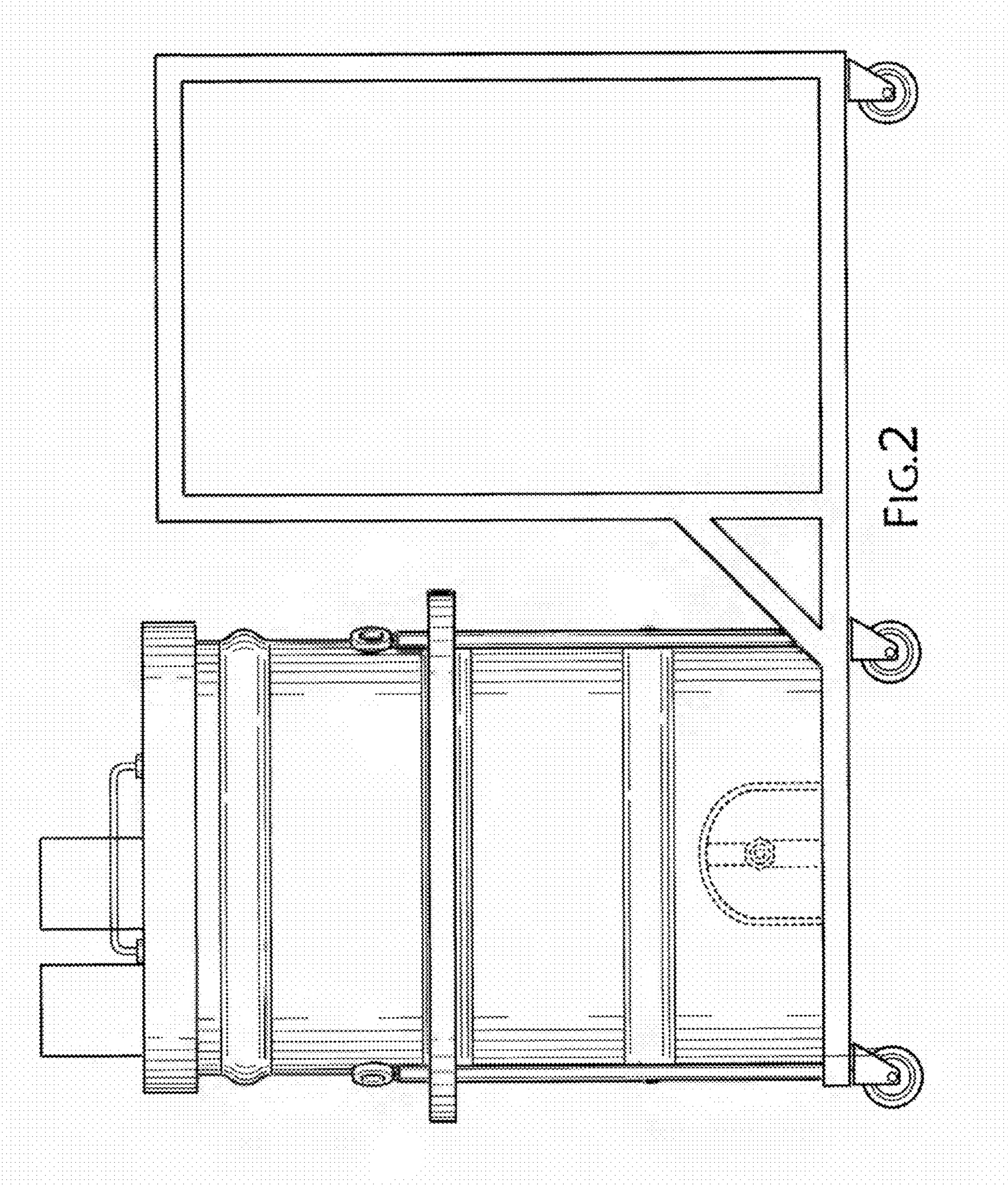


FIG. 2

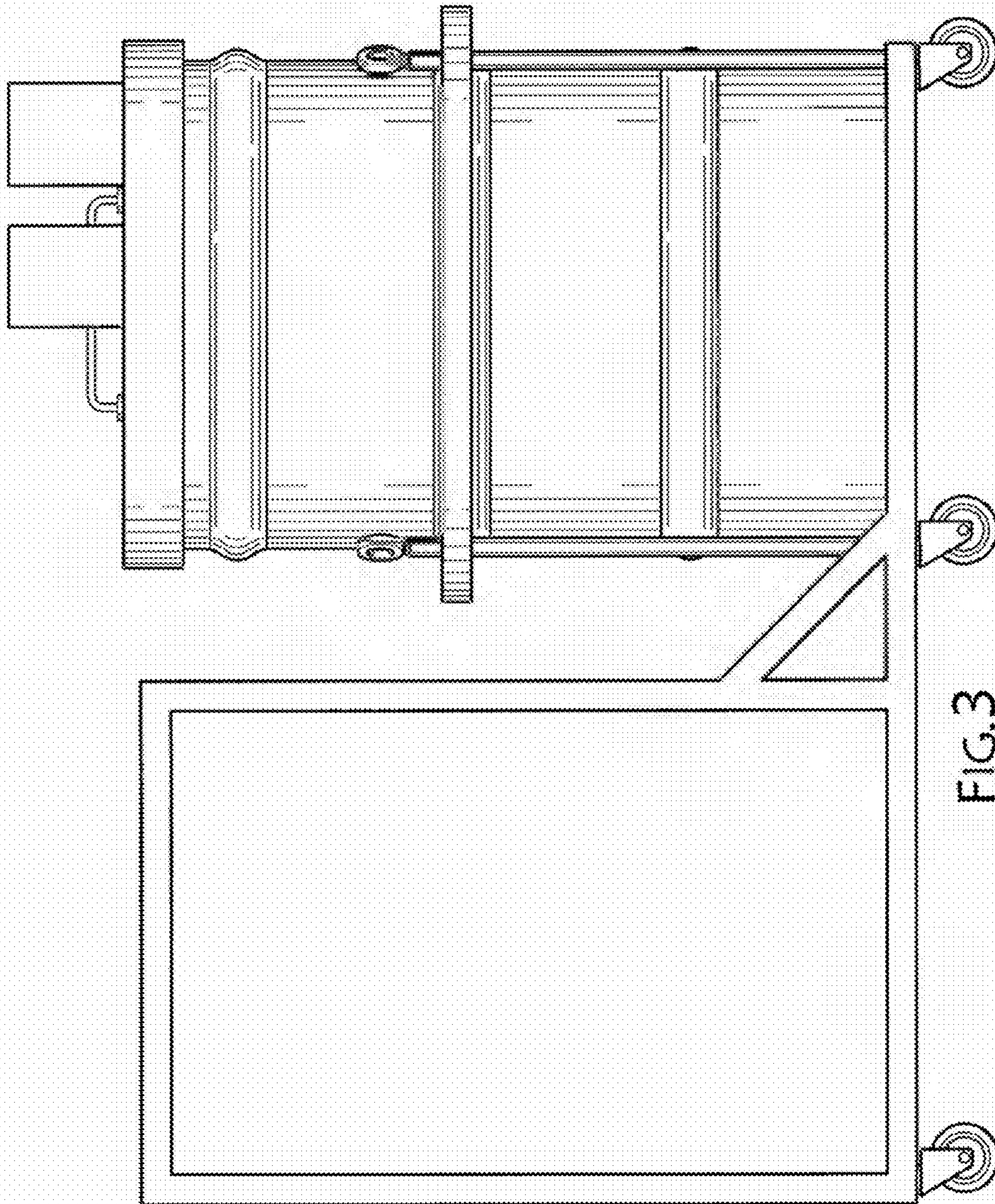


FIG. 3

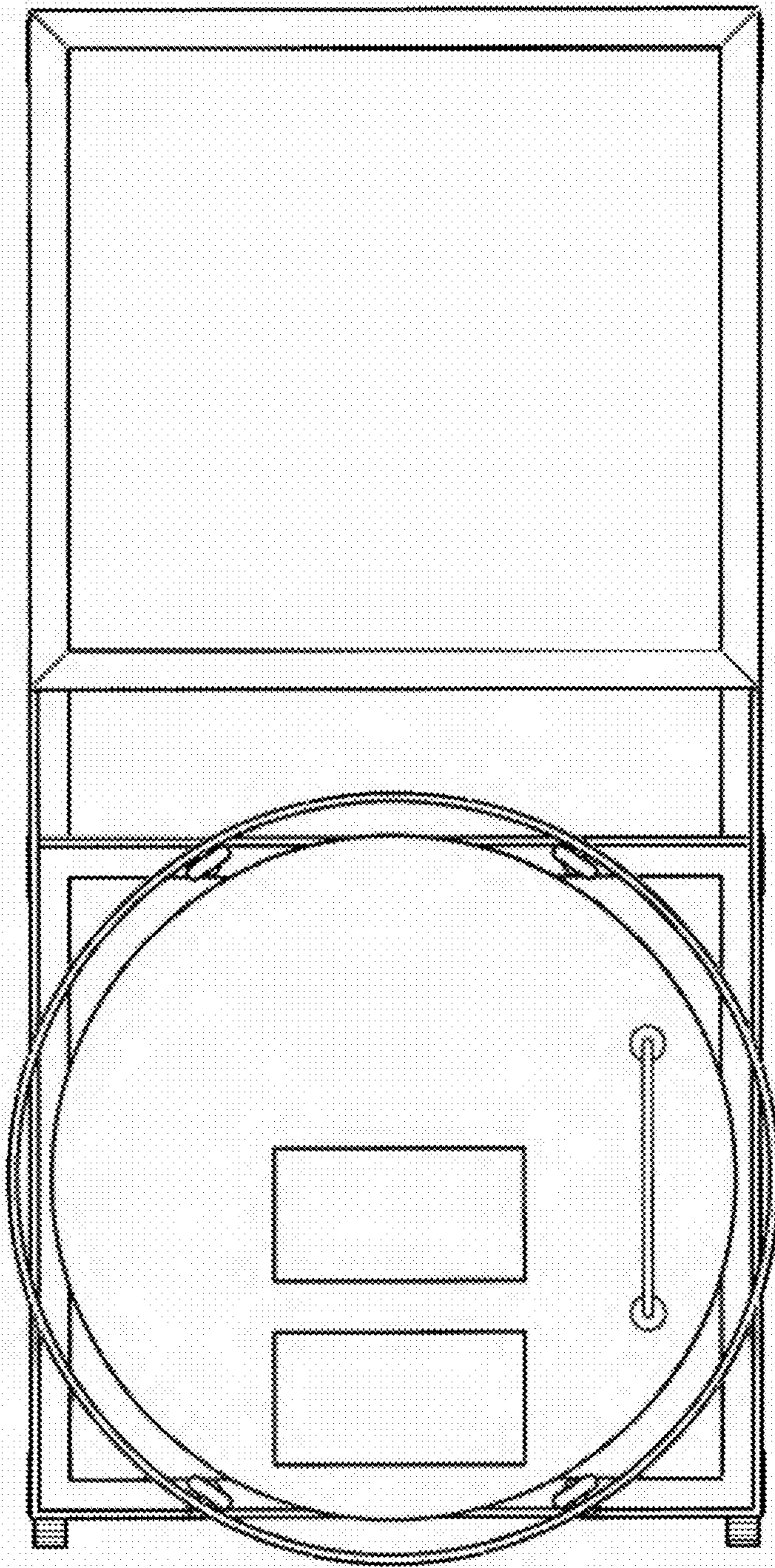


FIG.4

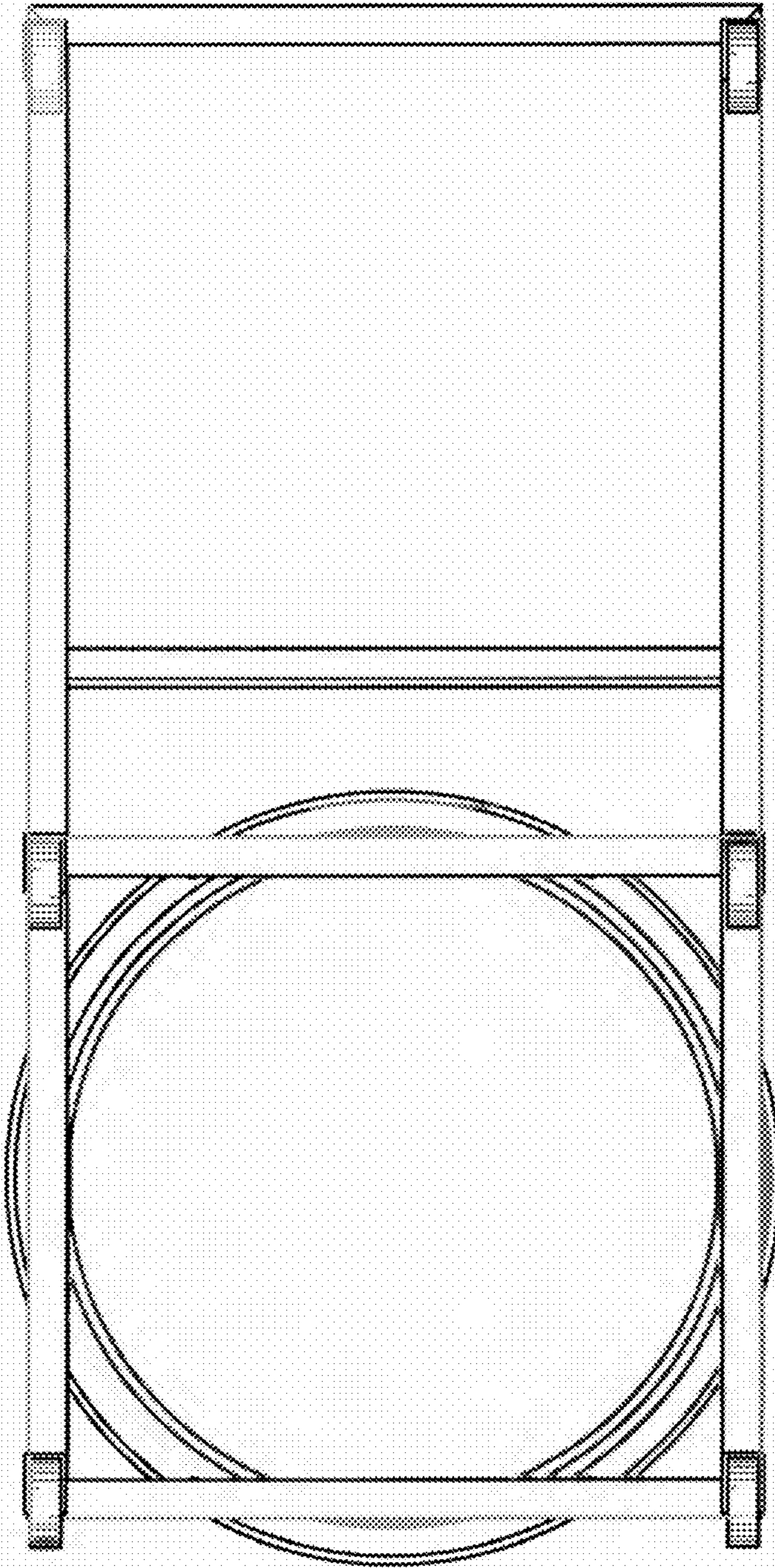


FIG.5

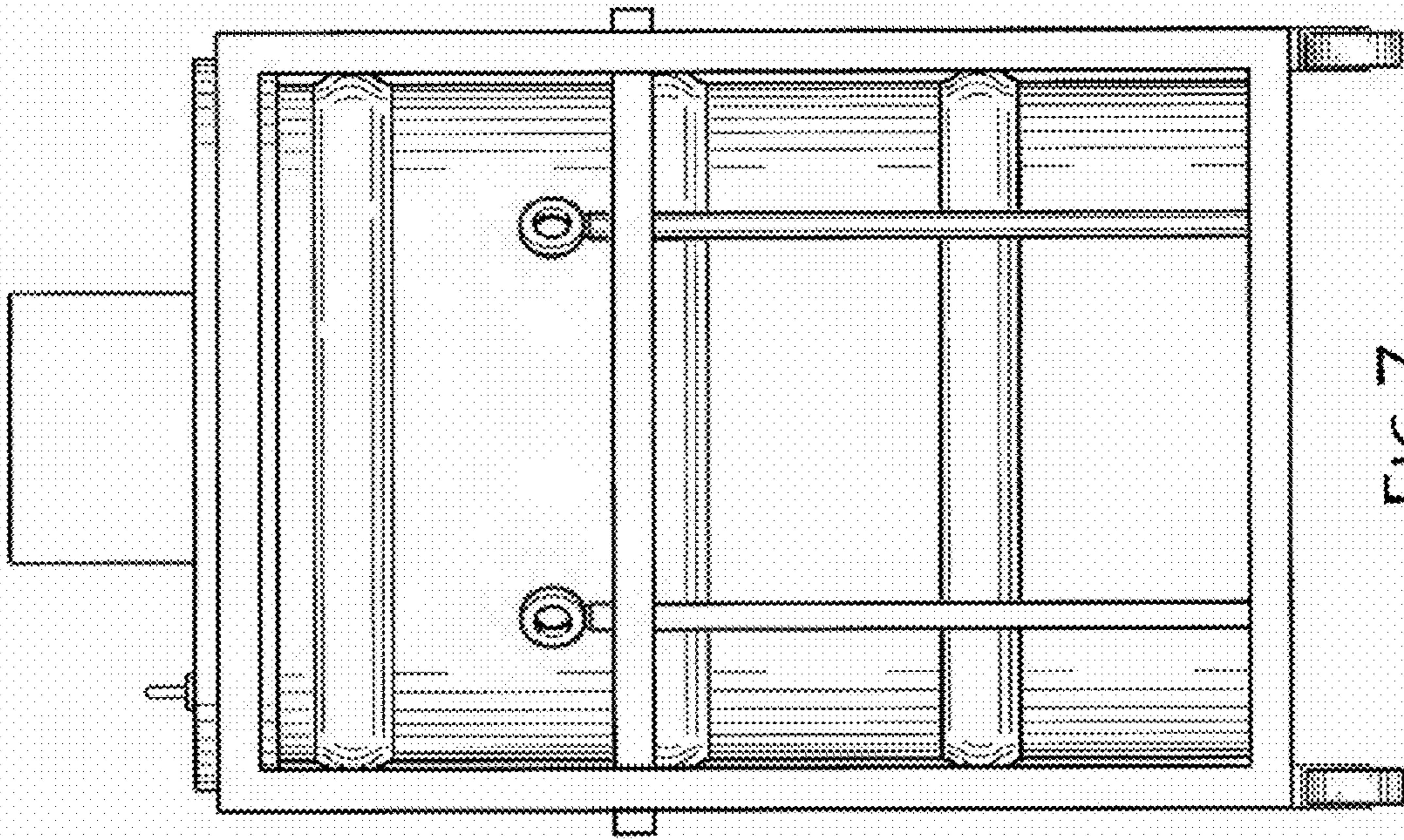


FIG. 7

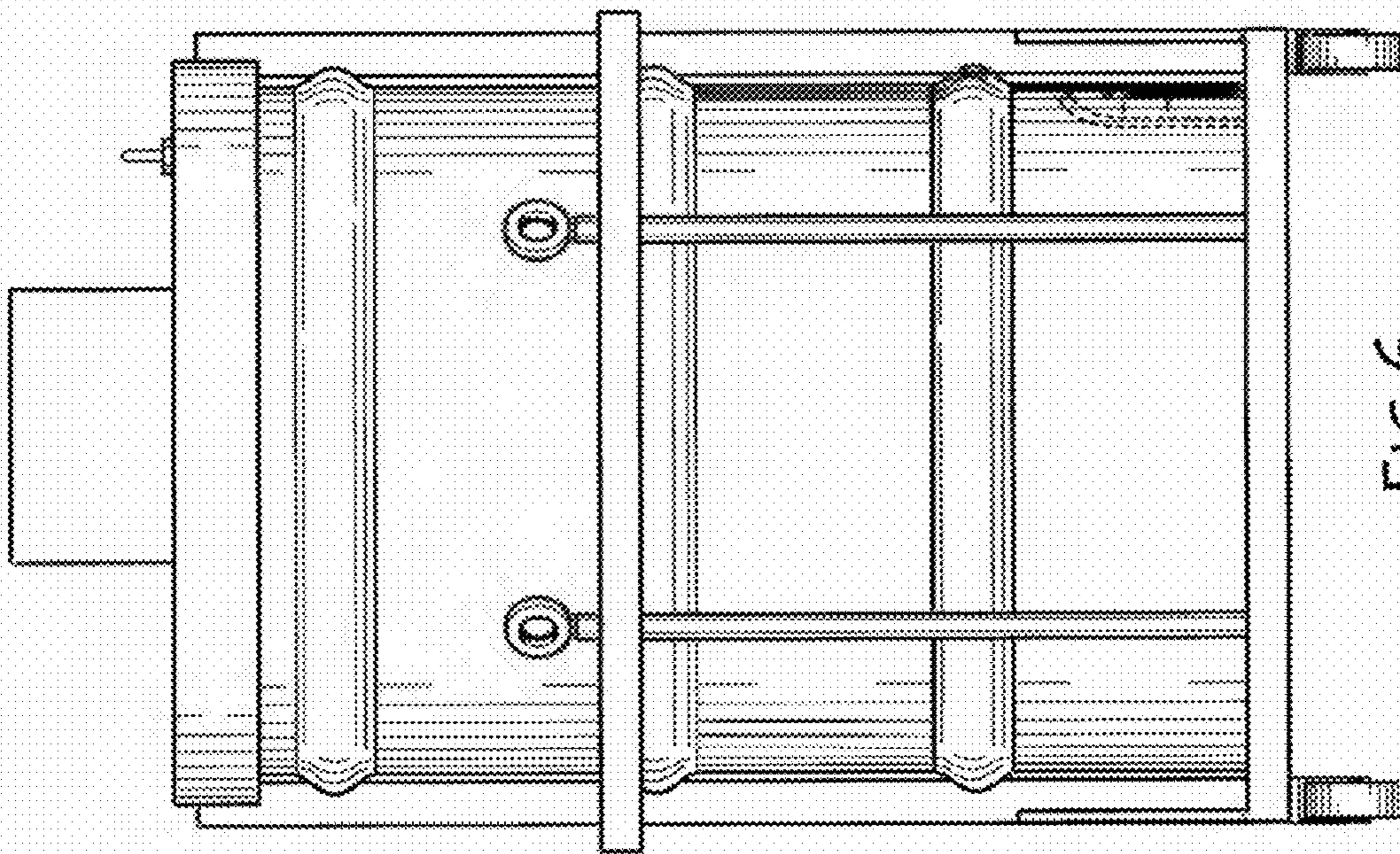


FIG. 6