



US00D733186S

(12) **United States Design Patent**
Bink et al.

(10) **Patent No.:** **US D733,186 S**
(45) **Date of Patent:** **** Jun. 30, 2015**

(54) **BLOWER HOUSING FOR AN ENGINE**
(71) Applicant: **Kohler Co.**, Kohler, WI (US)
(72) Inventors: **Benjamin J. Bink**, St. Cloud, WI (US);
James G. Leu, Kiel, WI (US); **Ronald D. Mittelstaedt**, Kiel, WI (US); **Steven P. Lewis**, Howards Grove, WI (US);
Travis J. Andren, Sheboygan, WI (US);
Kevin C. Brusio, Malone, WI (US);
Brian Michael Hynes Sheridan, West Bend, WI (US)

(73) Assignee: **Kohler Co.**, Kohler, WI (US)

(**) Term: **14 Years**

(21) Appl. No.: **29/479,636**

(22) Filed: **Jan. 17, 2014**

(51) **LOC (10) Cl.** **15-01**

(52) **U.S. Cl.**
USPC **D15/5**

(58) **Field of Classification Search**
USPC D15/1, 2, 3, 5, 6, 14, 17, 149; 123/22,
123/41.34, 51 A, 606 R, 52.1, 50 A, 50 B,
123/54.1, 54.2, 54.4, 54.5, 65 R, 195 R,
123/195 HC, 657, 311
See application file for complete search history.

(56) **References Cited**

U.S. PATENT DOCUMENTS

D277,485 S	2/1985	Iwakura et al.	
D289,766 S *	5/1987	Evans	D15/5
D308,871 S *	6/1990	Harkness et al.	D15/1
D330,897 S	11/1992	Carlson et al.	
D352,042 S	11/1994	Davies, III	
D352,043 S	11/1994	Davies, III	
D366,660 S	1/1996	Benson	
D373,590 S	9/1996	Benson	
D396,045 S	7/1998	Neeley	

D396,476 S	7/1998	Shimizu
D397,342 S	8/1998	Shimizu
D466,905 S	12/2002	Neeley et al.
D468,751 S	1/2003	Neeley et al.
D471,560 S	3/2003	Davis
D484,889 S	1/2004	Neeley et al.
D487,751 S	3/2004	Neeley et al.
D491,192 S	6/2004	Davis
D491,193 S	6/2004	Davis
D513,012 S	12/2005	Strandell et al.
D513,754 S	1/2006	Strandell et al.
D517,672 S	3/2006	Schmitt et al.
D518,157 S	3/2006	Clark et al.
D525,991 S	8/2006	Walters
D527,022 S	8/2006	Walters
D527,741 S	9/2006	Vervoors
D529,924 S	10/2006	Ryczek et al.
D536,004 S	1/2007	Ryczek et al.
D538,823 S	3/2007	Vervoors

(Continued)

Primary Examiner — T. Chase Nelson

Assistant Examiner — Ania Aman

(74) *Attorney, Agent, or Firm* — The Belles Group, P.C.

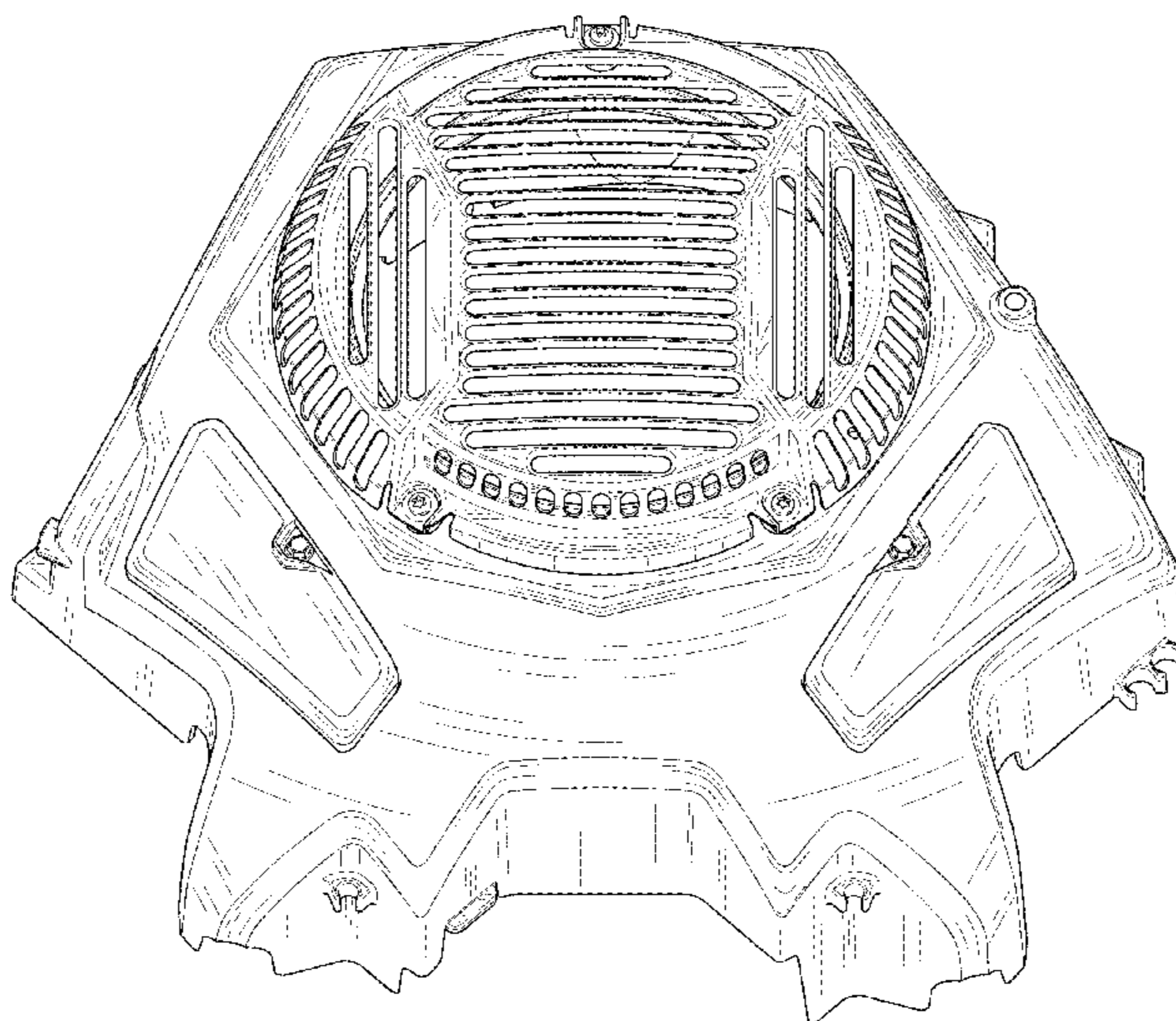
(57) **CLAIM**

The ornamental design for a blower housing for an engine, as shown and described.

DESCRIPTION

FIG. 1 is an elevated rear perspective view of a blower housing for an engine showing the new design; FIG. 2 is an elevated rear-left perspective view thereof; FIG. 3 is an elevated left perspective view thereof; FIG. 4 is an elevated front perspective view thereof; FIG. 5 is an elevated front-right perspective view thereof; FIG. 6 is an elevated right perspective view thereof; FIG. 7 is a right plan view thereof; FIG. 8 is a front plan view thereof; FIG. 9 is a left-side plan view thereof; FIG. 10 is a right-side plan view thereof; and, FIG. 11 is a top plan view thereof.

1 Claim, 11 Drawing Sheets



(56)

References Cited

U.S. PATENT DOCUMENTS

D540,819 S	4/2007	Schmitt et al.	D583,831 S	12/2008	Post et al.	
D541,300 S	4/2007	Geisheker et al.	D594,878 S	6/2009	Post et al.	
D548,750 S	8/2007	Neeley et al.	D667,464 S *	9/2012	Tiefenthaler	D15/5
D553,645 S	10/2007	Drew et al.	D671,959 S	12/2012	Burey et al.	
D572,271 S *	7/2008	Maeda	D679,288 S *	4/2013	Grubisich	D15/5
	 D15/1	D691,177 S *	10/2013	Tiefenthaler	D15/5
			D708,645 S *	7/2014	Sarder et al.	D15/5
			D708,646 S *	7/2014	Sarder et al.	D15/5

* cited by examiner

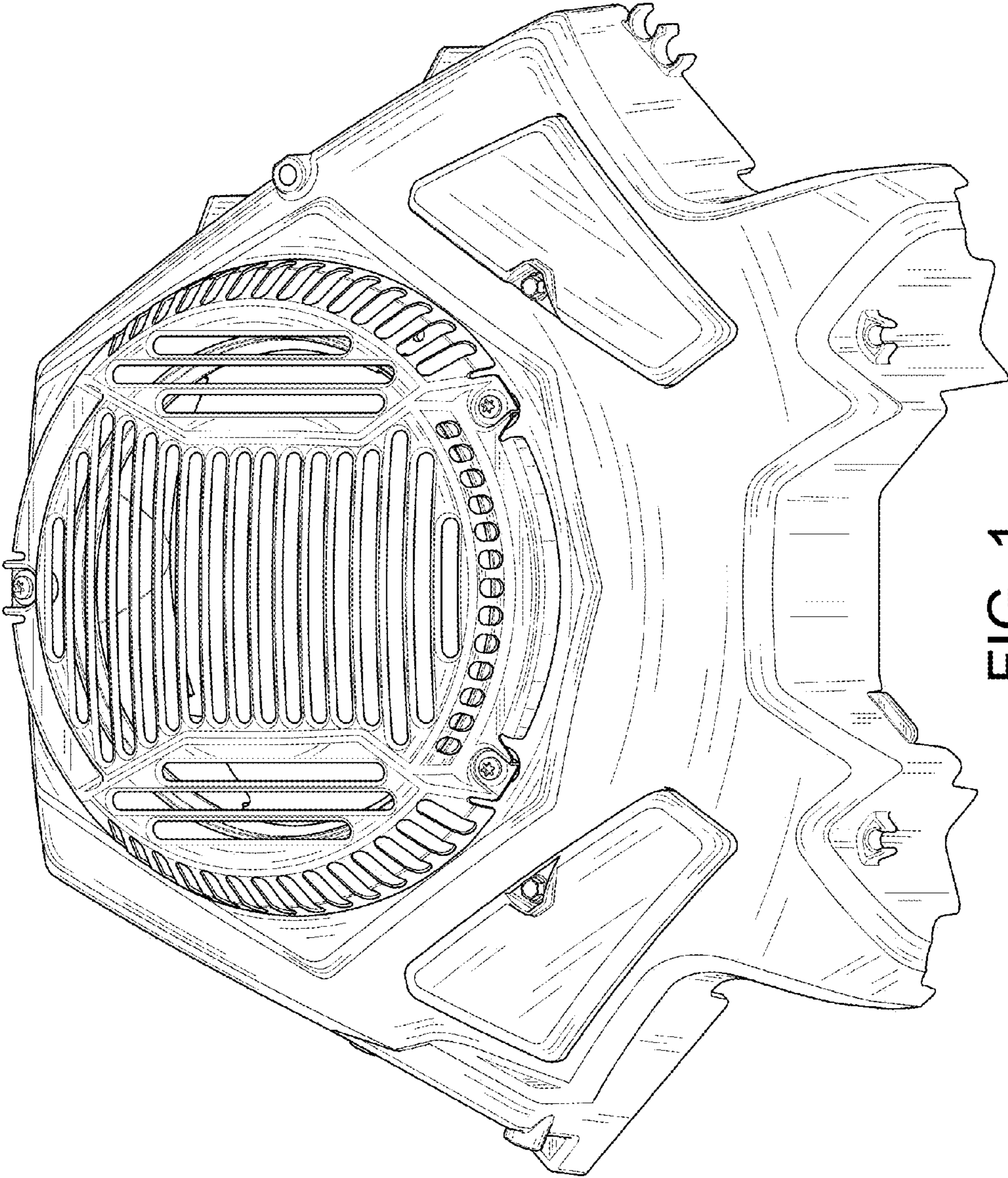


FIG. 1

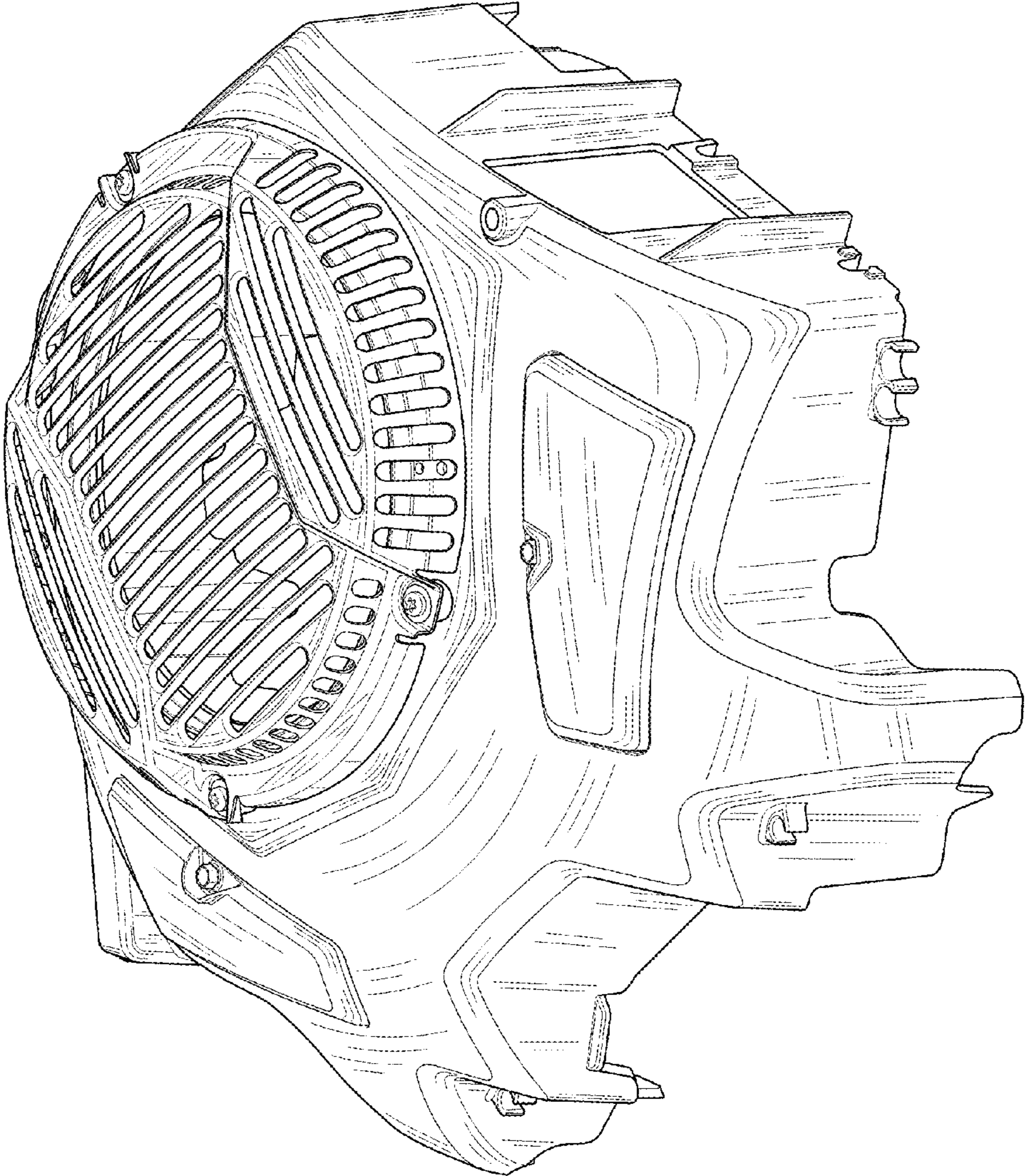


FIG. 2

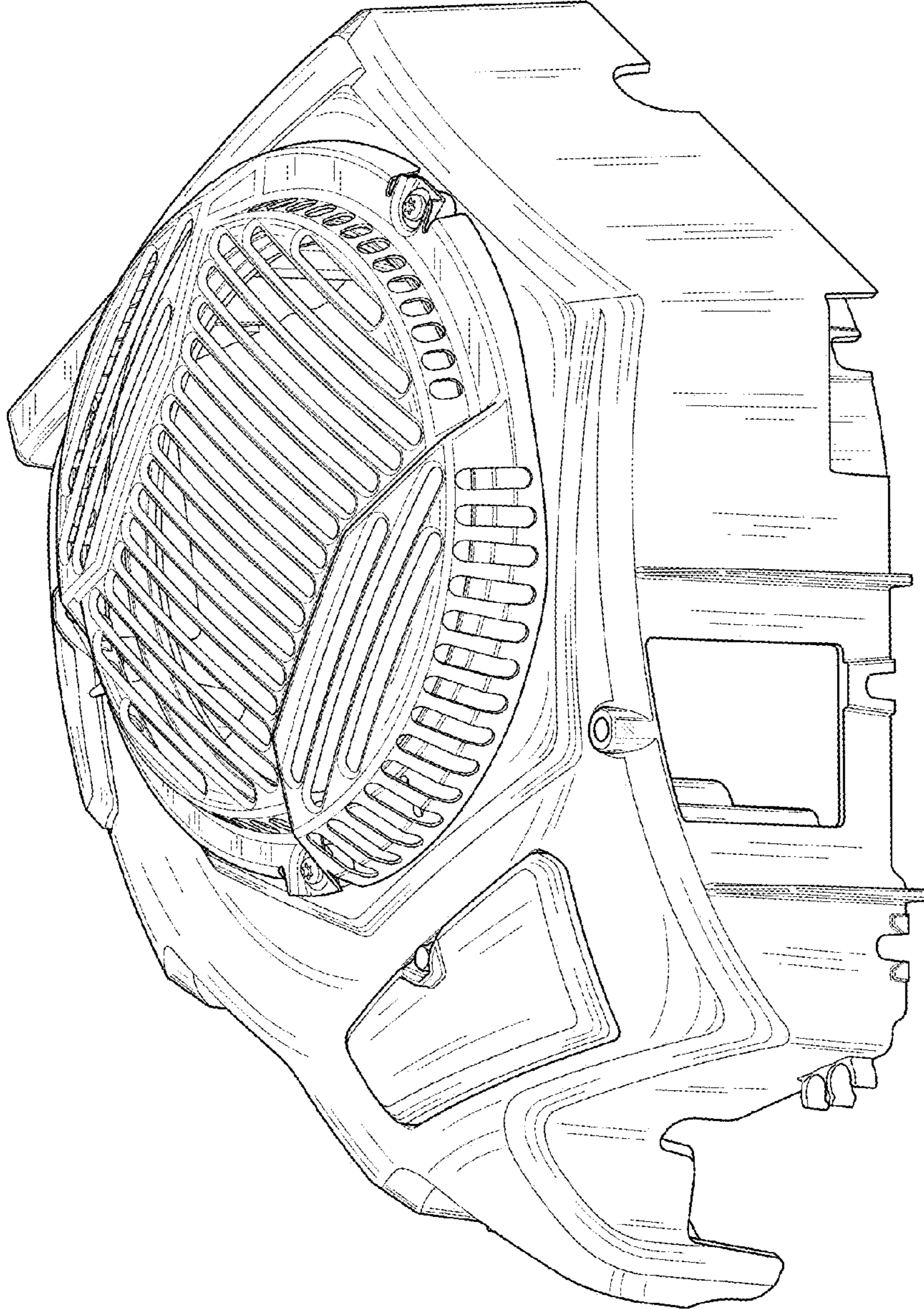


FIG. 3

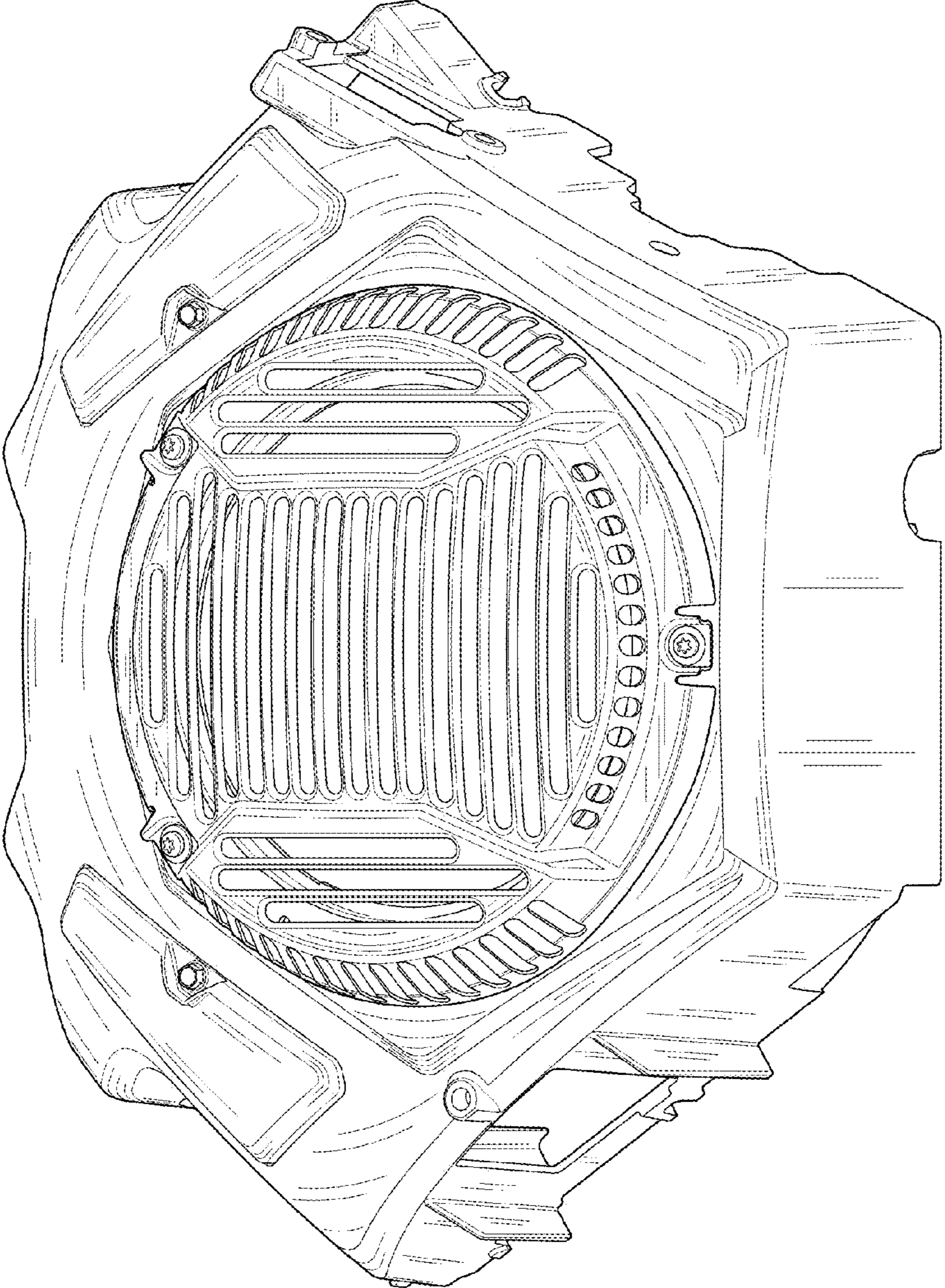


FIG. 4

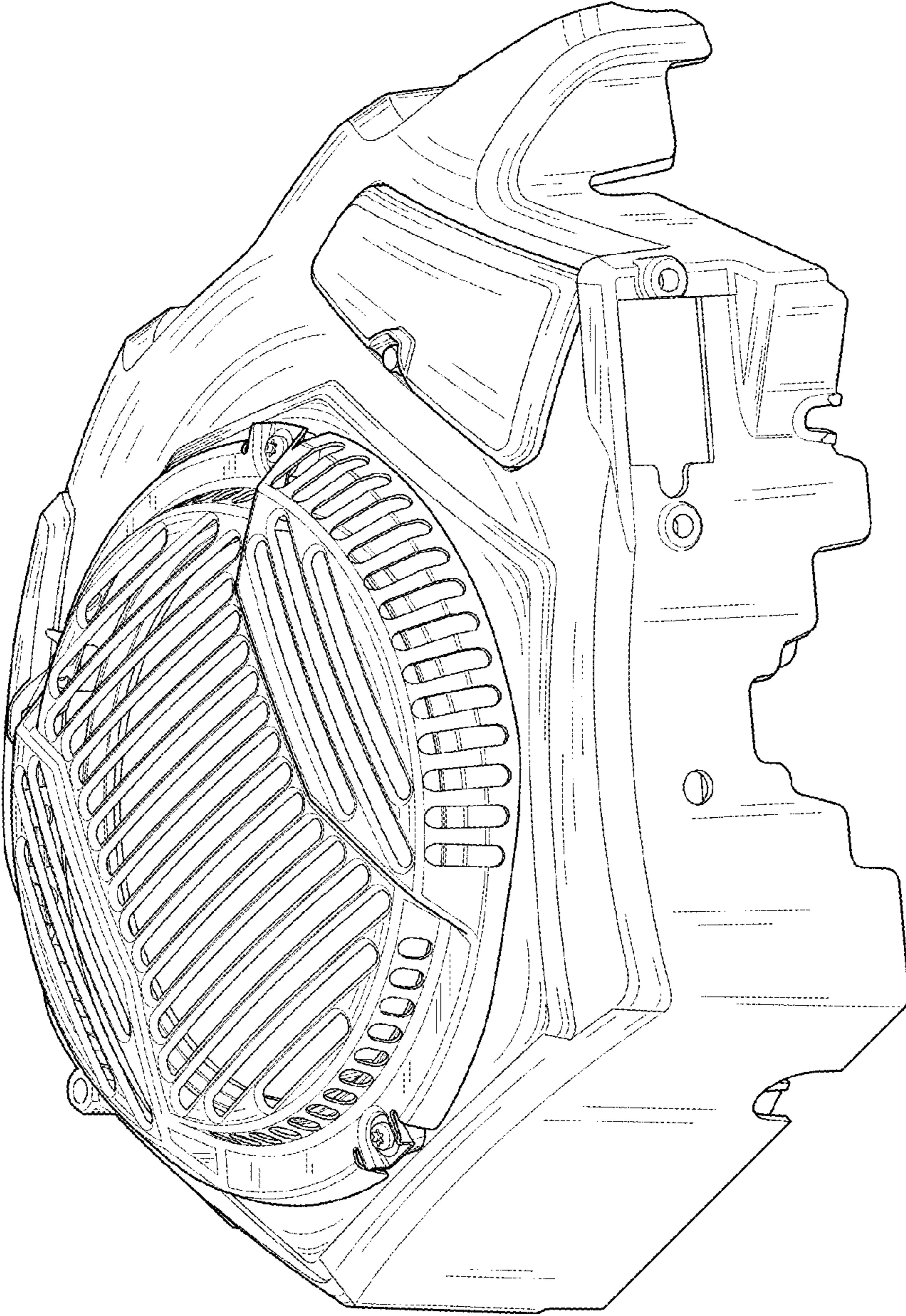


FIG. 5

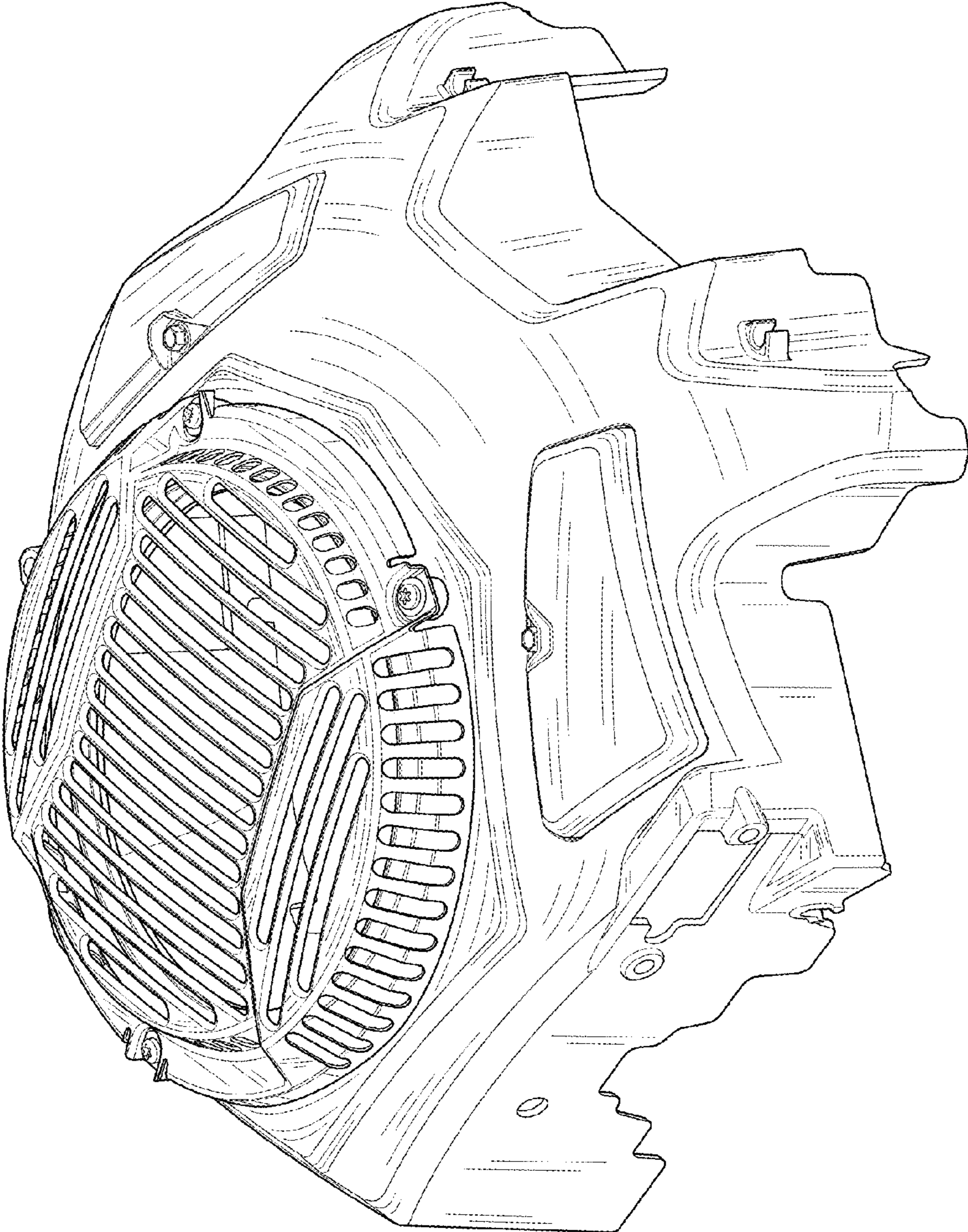


FIG. 6

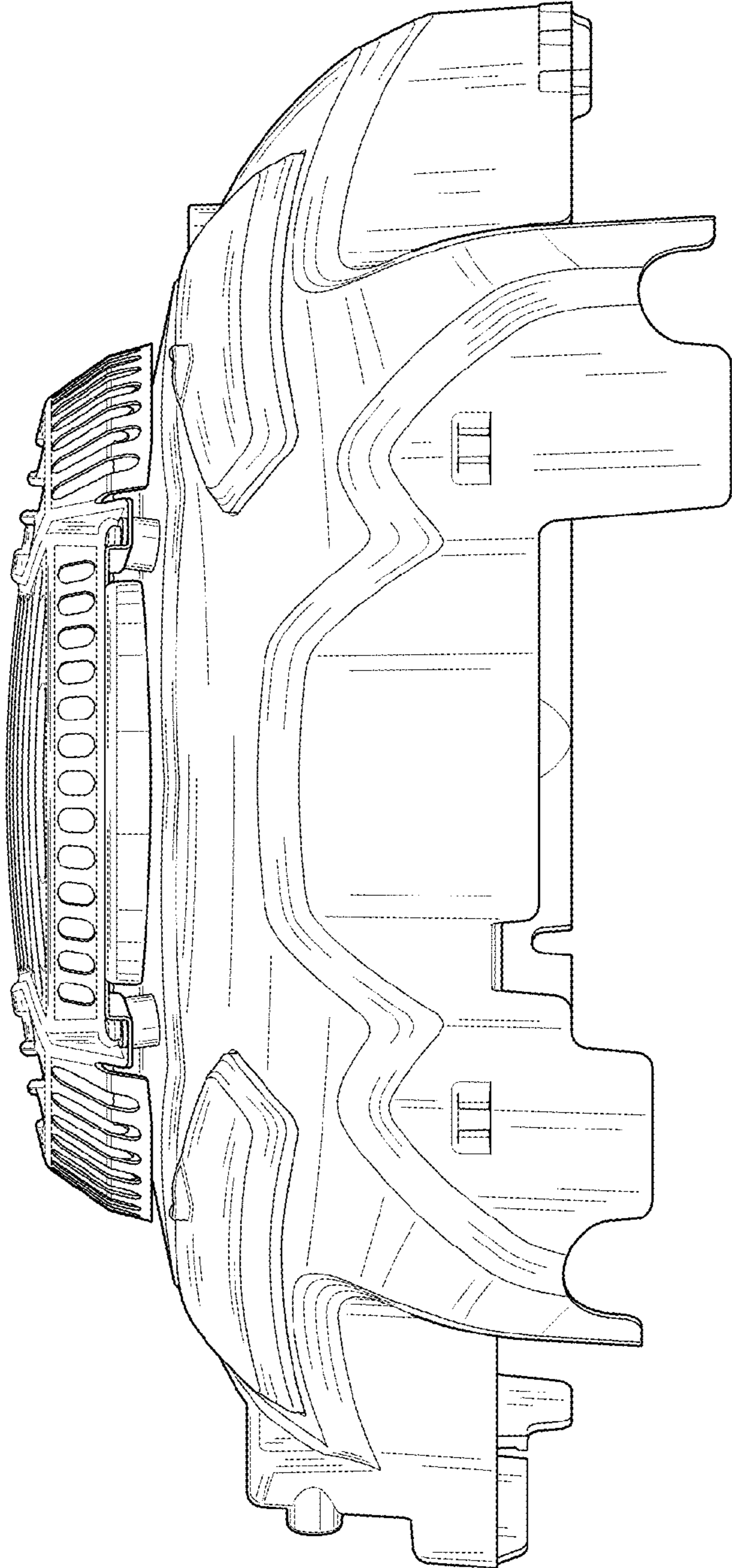


FIG. 7

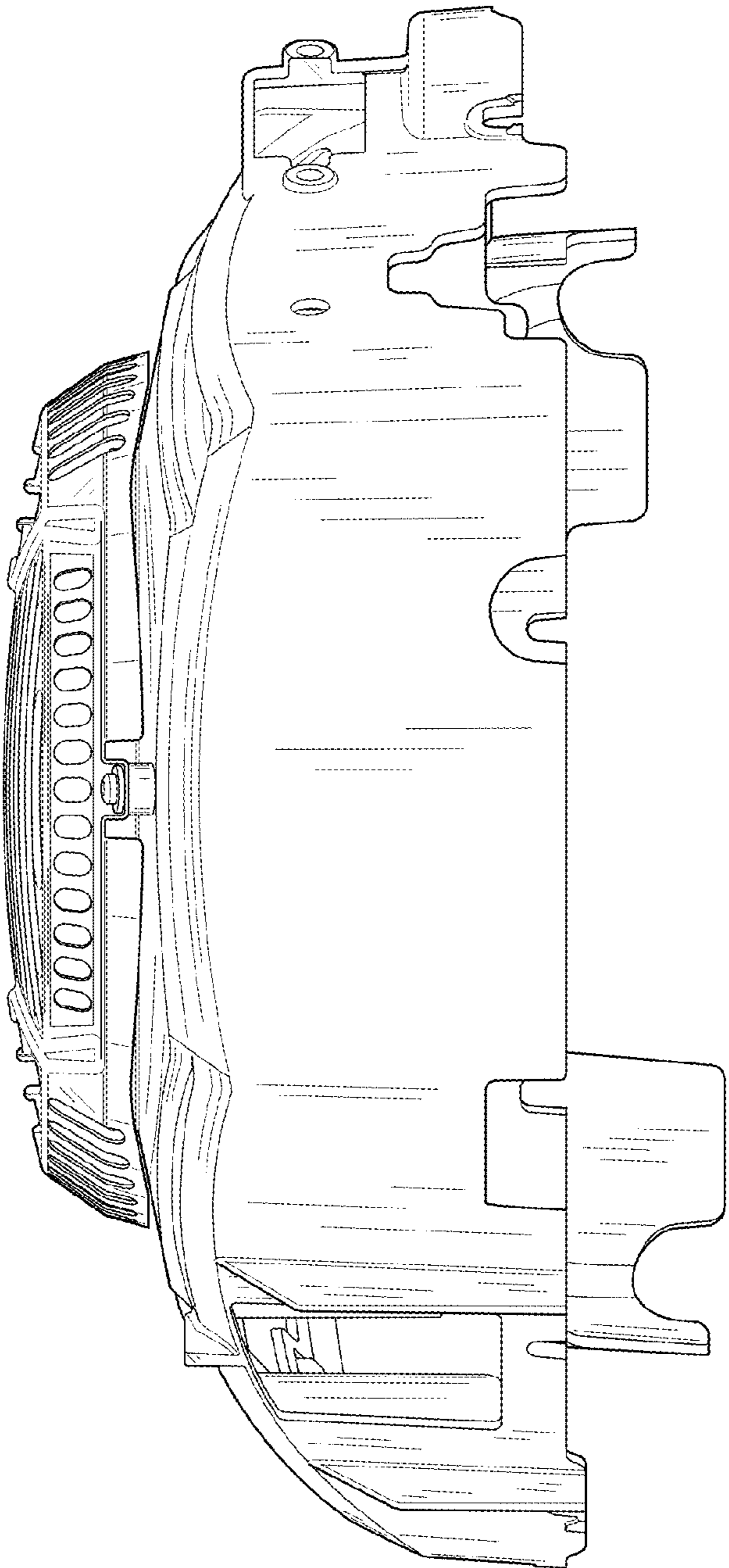


FIG. 8

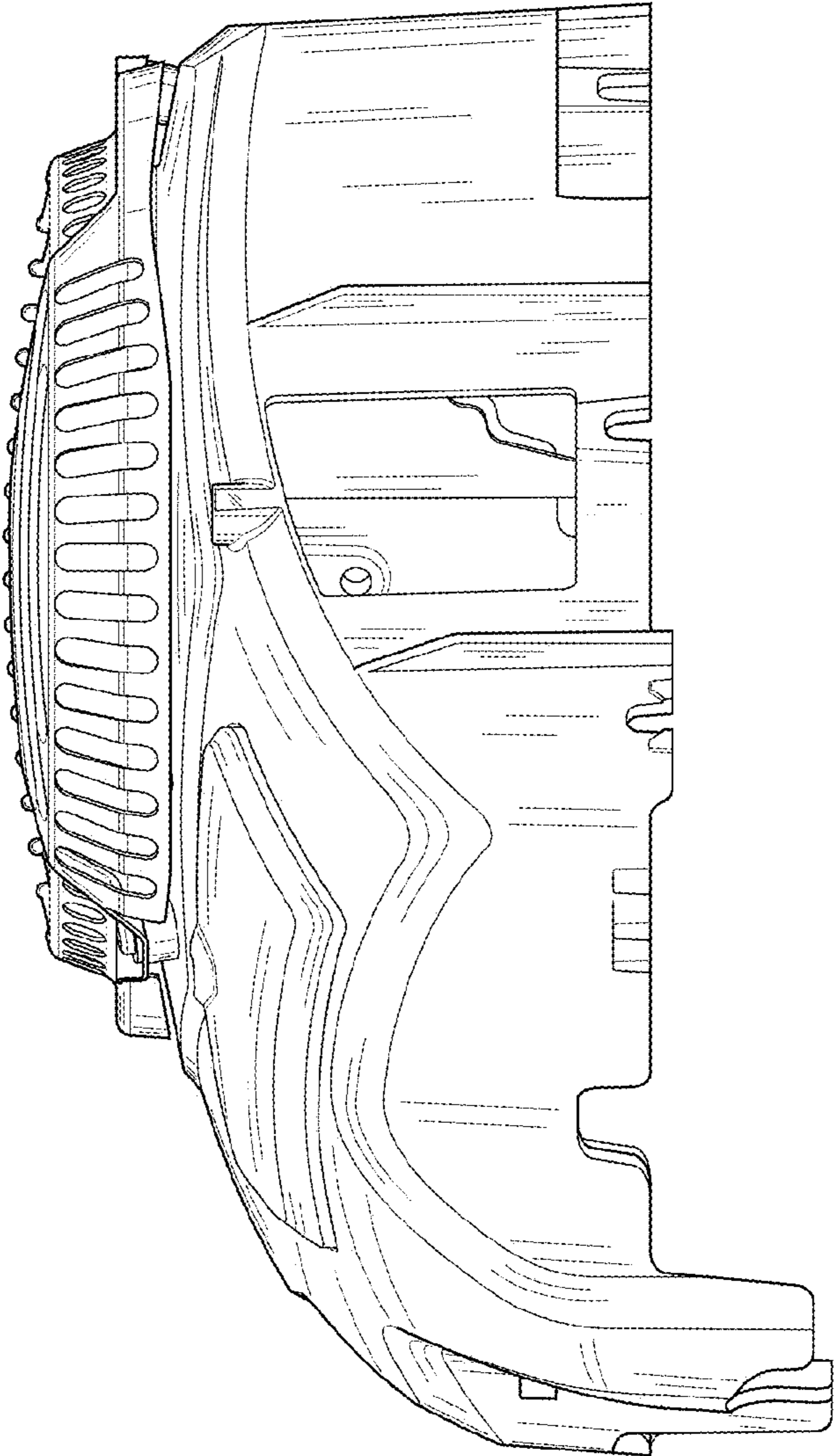


FIG. 9

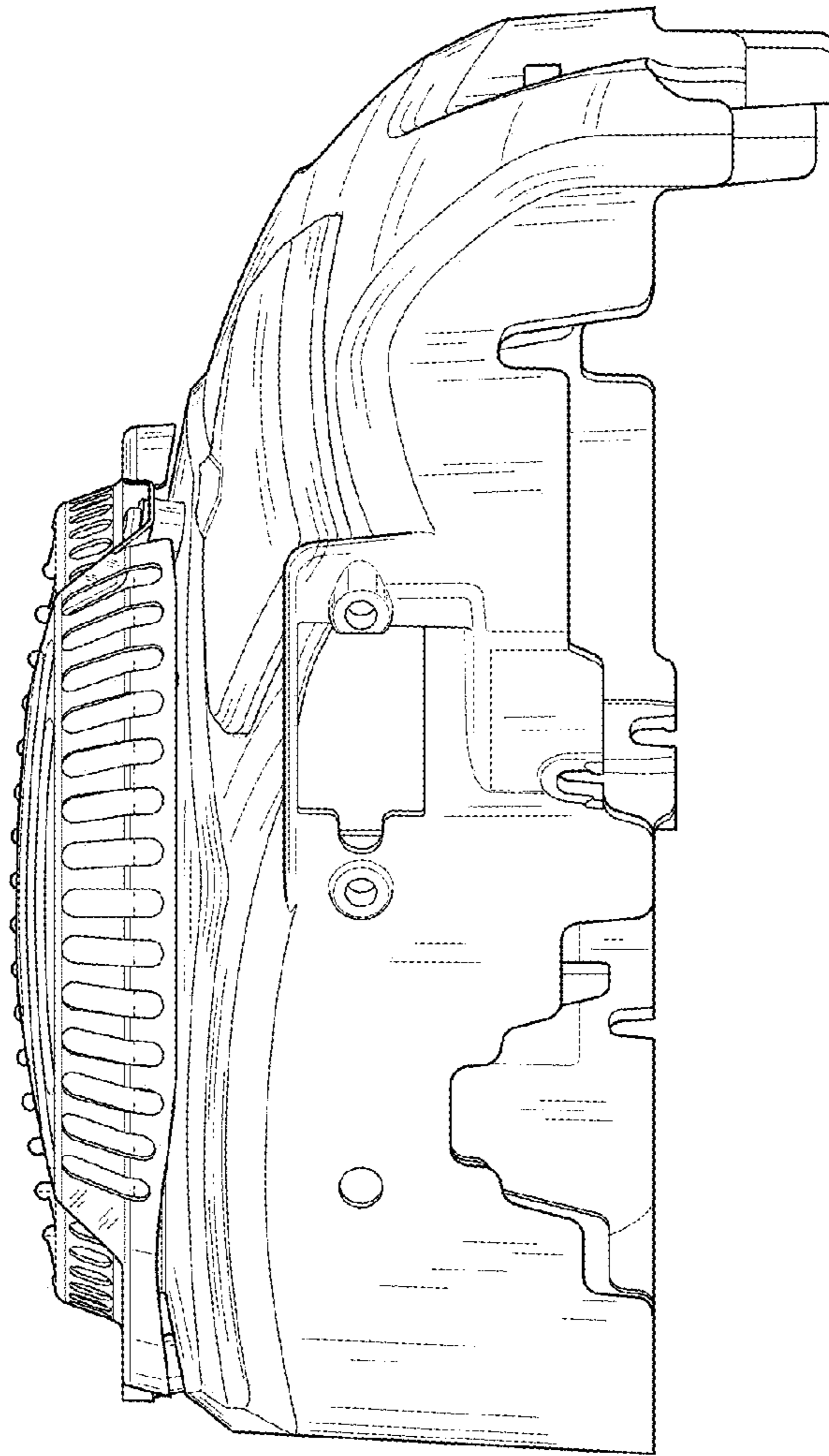


FIG. 10

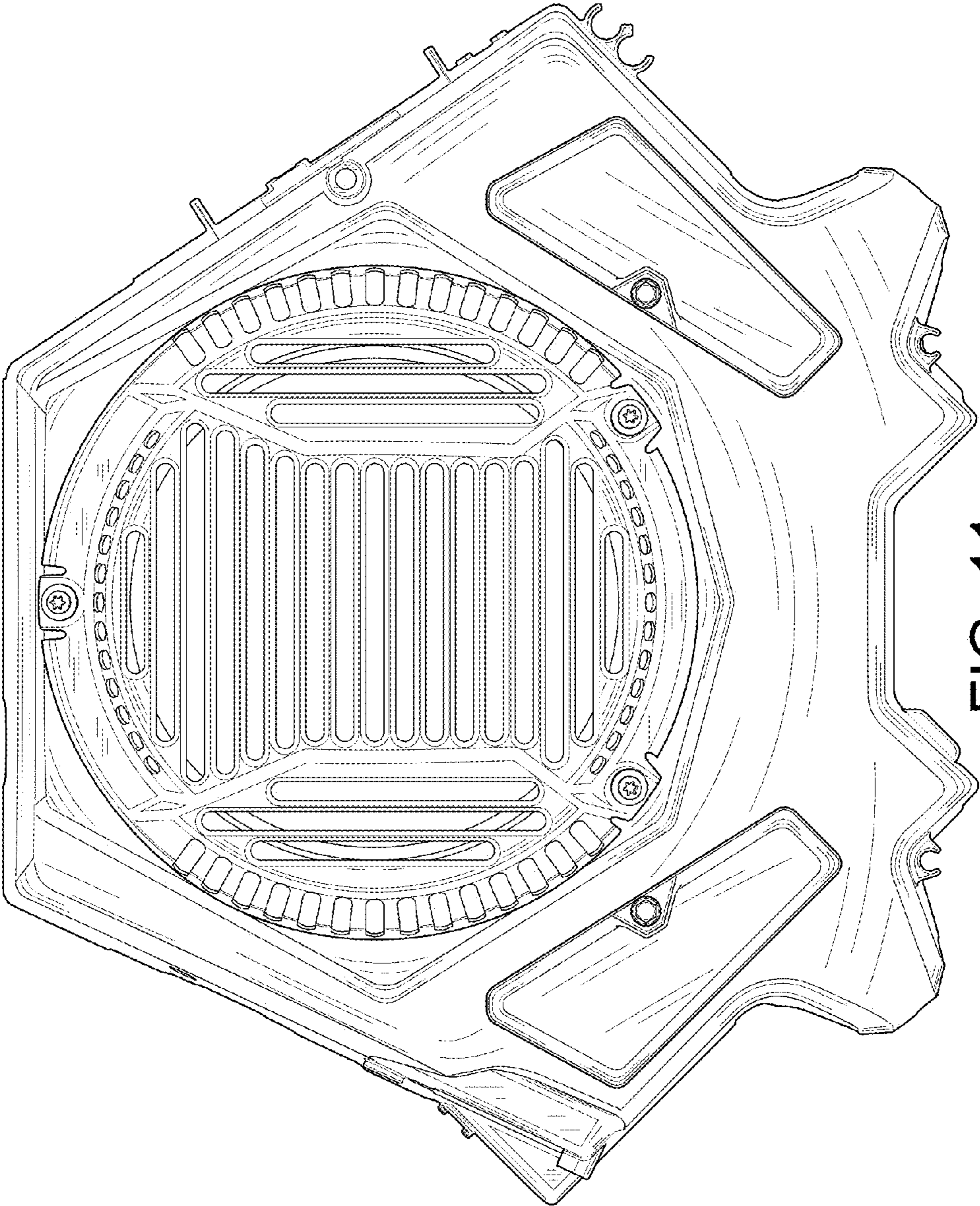


FIG. 11