

US00D733161S

(12) **United States Design Patent**
Stafford et al.

(10) **Patent No.:** **US D733,161 S**
(45) **Date of Patent:** **** Jun. 30, 2015**

(54) **USB DRIVE HOLDER**

(71) Applicant: **Staples The Office Superstore, Inc.**, Framingham, MA (US)

(72) Inventors: **Margaret Stafford**, Boston, MA (US); **Daniel Reilly**, Watertown, MA (US); **Jeremy Hetherington**, Somerville, MA (US); **William D. Hester**, Meriden, CT (US)

(73) Assignee: **STAPLES THE OFFICE SUPERSTORE, INC.**, Framingham, MA (US)

(**) Term: **14 Years**

(21) Appl. No.: **29/473,516**

(22) Filed: **Nov. 22, 2013**

(51) **LOC (10) Cl.** **14-02**

(52) **U.S. Cl.**
USPC **D14/483**

(58) **Field of Classification Search**
USPC D14/483, 433, 242, 240; D13/154, 133; 439/620.22, 76.1, 78; 710/74, 13; 235/486
CPC G06K 19/005; G06K 19/07732; H05K 5/0278; G09F 23/10
See application file for complete search history.

(56) **References Cited**

U.S. PATENT DOCUMENTS

D308,197 S * 5/1990 Inoue D14/433
D343,613 S * 1/1994 Fujisawa D14/483
D368,267 S * 3/1996 Rak et al. D14/242

D390,848 S * 2/1998 Santee et al. D14/240
D392,953 S * 3/1998 Fujisawa D14/483
D406,573 S * 3/1999 Yao D14/433
D480,074 S * 9/2003 Tuhkanen D14/242
D551,628 S * 9/2007 Meier et al. D13/154
D598,271 S * 8/2009 Burdett et al. D8/339
7,578,446 B2 * 8/2009 Yen 235/486
D653,210 S * 1/2012 Meier et al. D13/133
8,656,076 B2 * 2/2014 Andre 710/74

* cited by examiner

Primary Examiner — Austin Murphy

(74) *Attorney, Agent, or Firm* — Wolf, Greenfield & Sacks, P.C.; Randy J. Pritzker

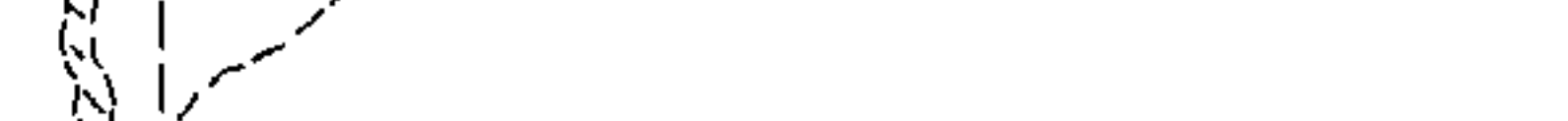
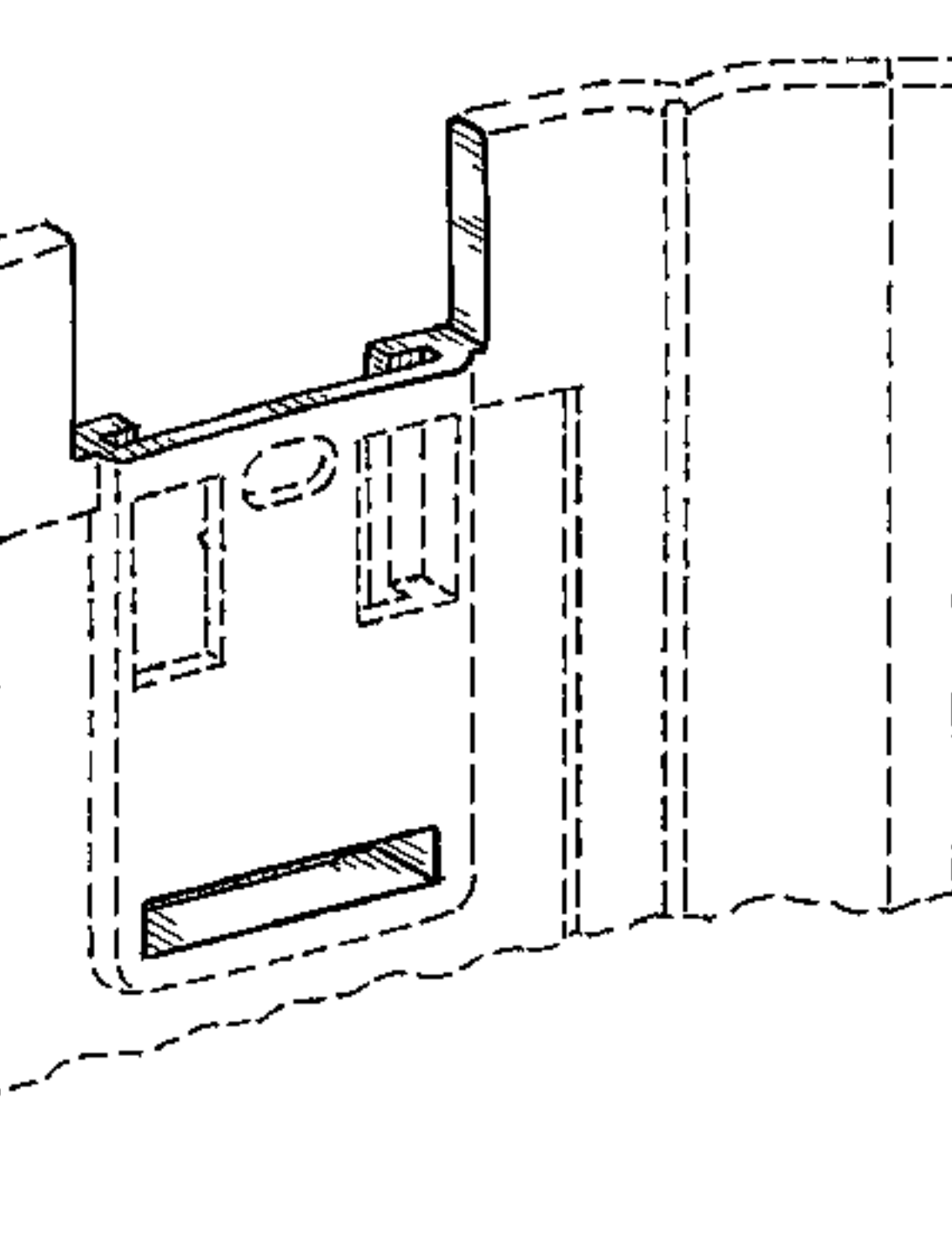
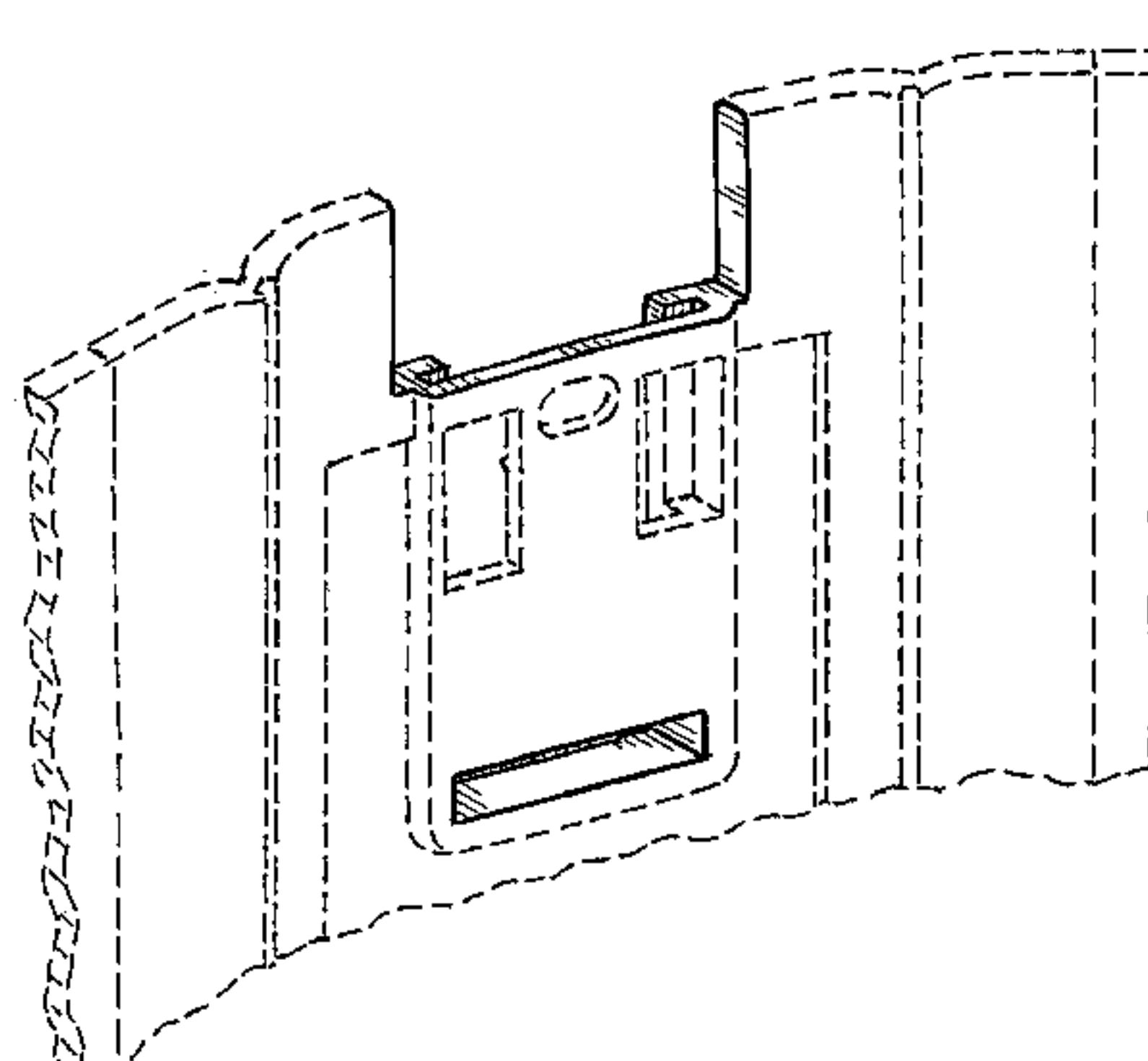
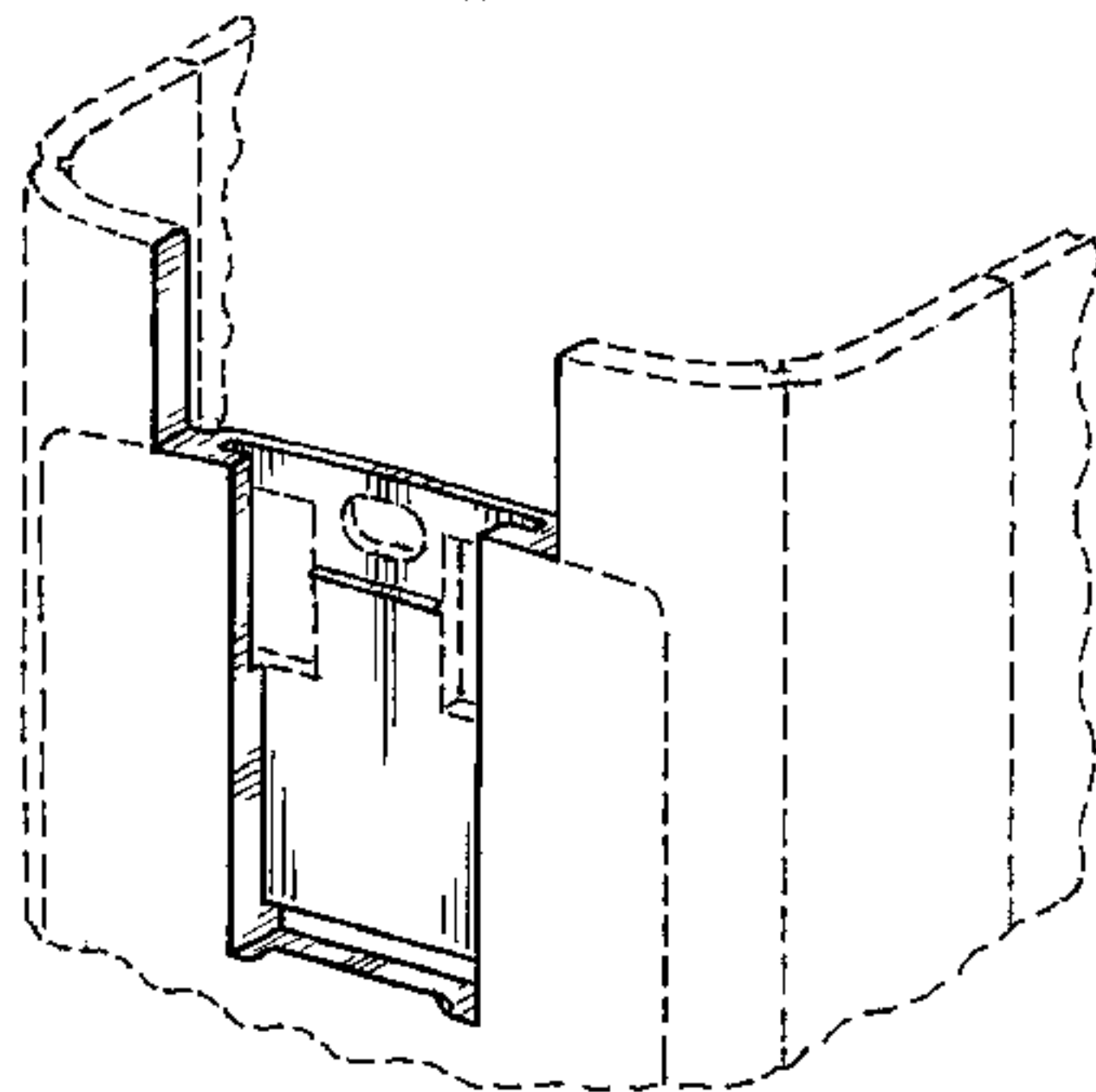
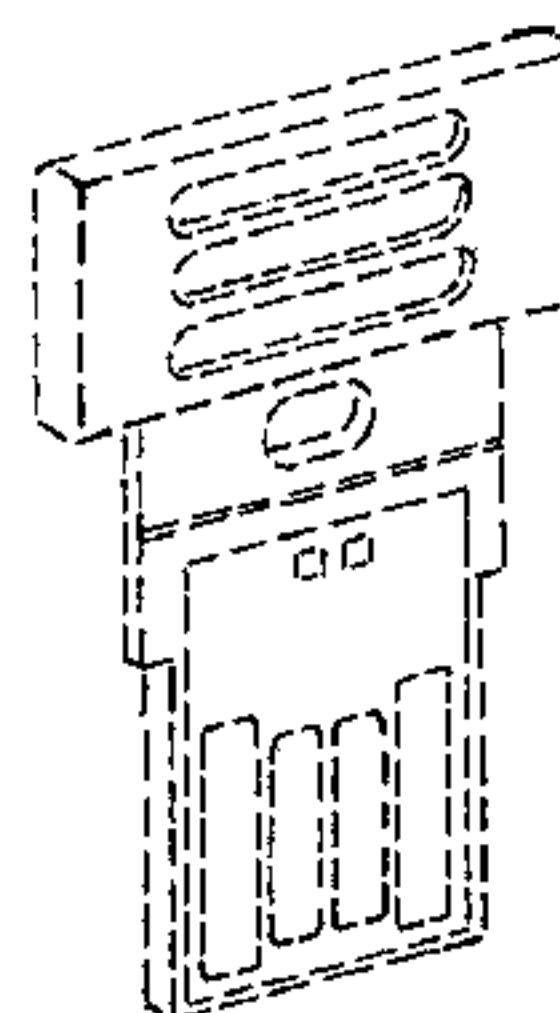
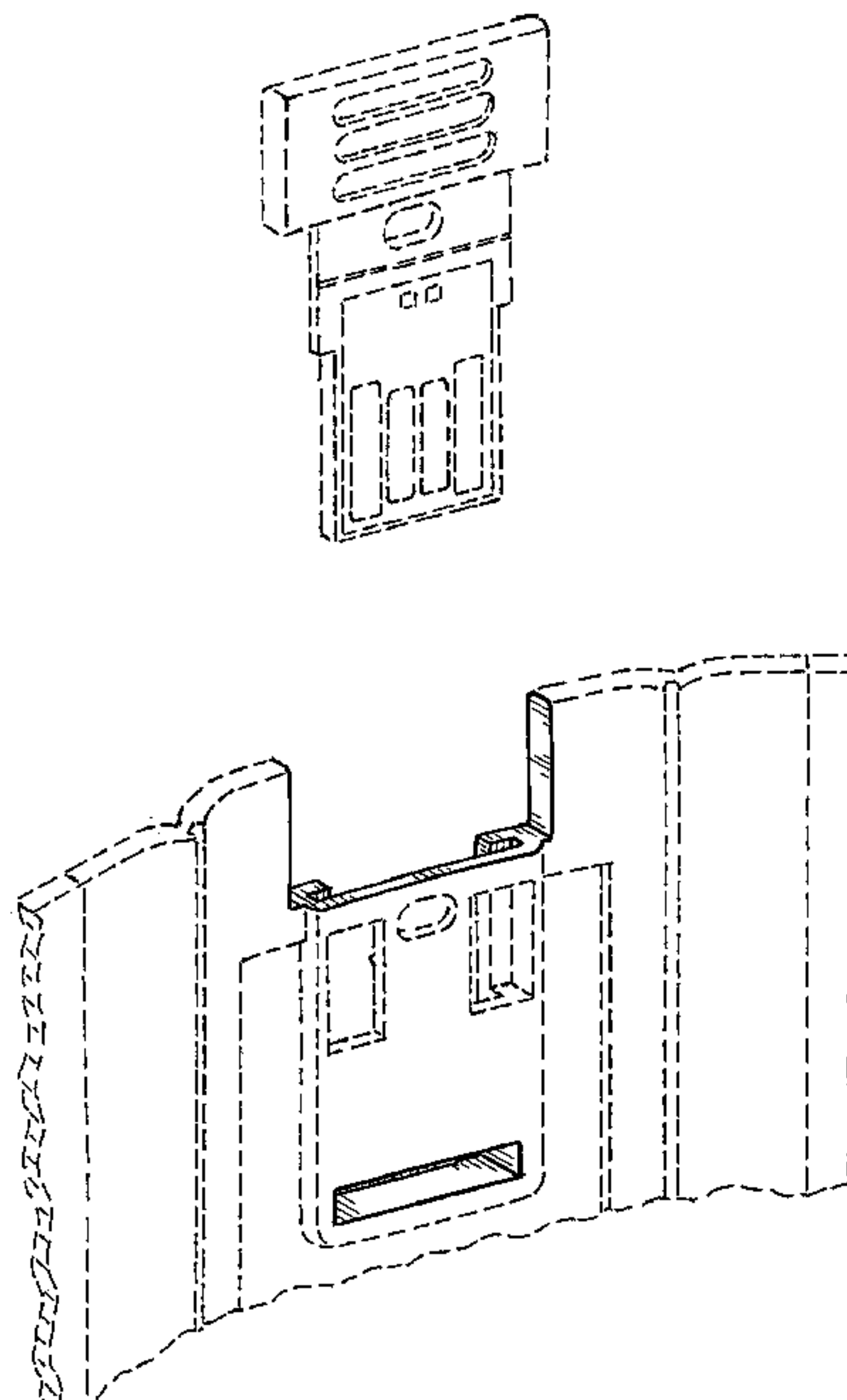
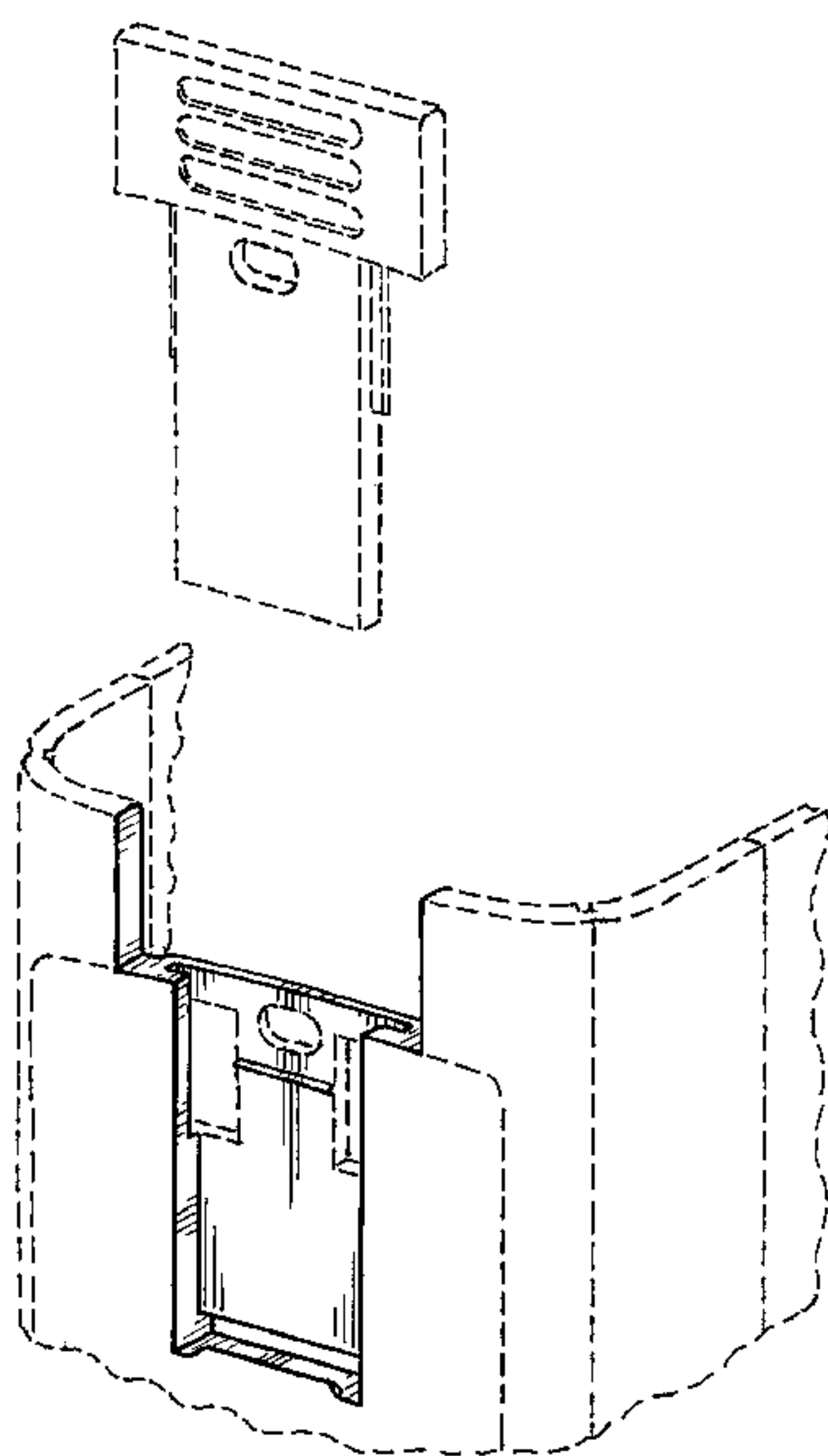
(57) **CLAIM**

The ornamental design for a USB drive holder, as shown and described.

DESCRIPTION

FIG. 1 is a side, top, perspective view of the USB drive holder shown in the spine of a notebook illustrated in broken lines; FIG. 2 is a left side view thereof; FIG. 3 is a right side view thereof; FIG. 4 is a rear view thereof; FIG. 5 is a front view thereof; FIG. 6 is a top view thereof; FIG. 7 is a bottom view thereof; FIG. 8 is a perspective front view thereof with the notebook shown opened; FIG. 9 is a cutaway perspective rear view thereof with a USB drive shown separately; FIG. 10 is a cutaway perspective front view thereof; and, FIG. 11 is a cutaway perspective top view thereof. The broken lines shown are included for illustrative purposes only form no part of the claimed design.

1 Claim, 9 Drawing Sheets



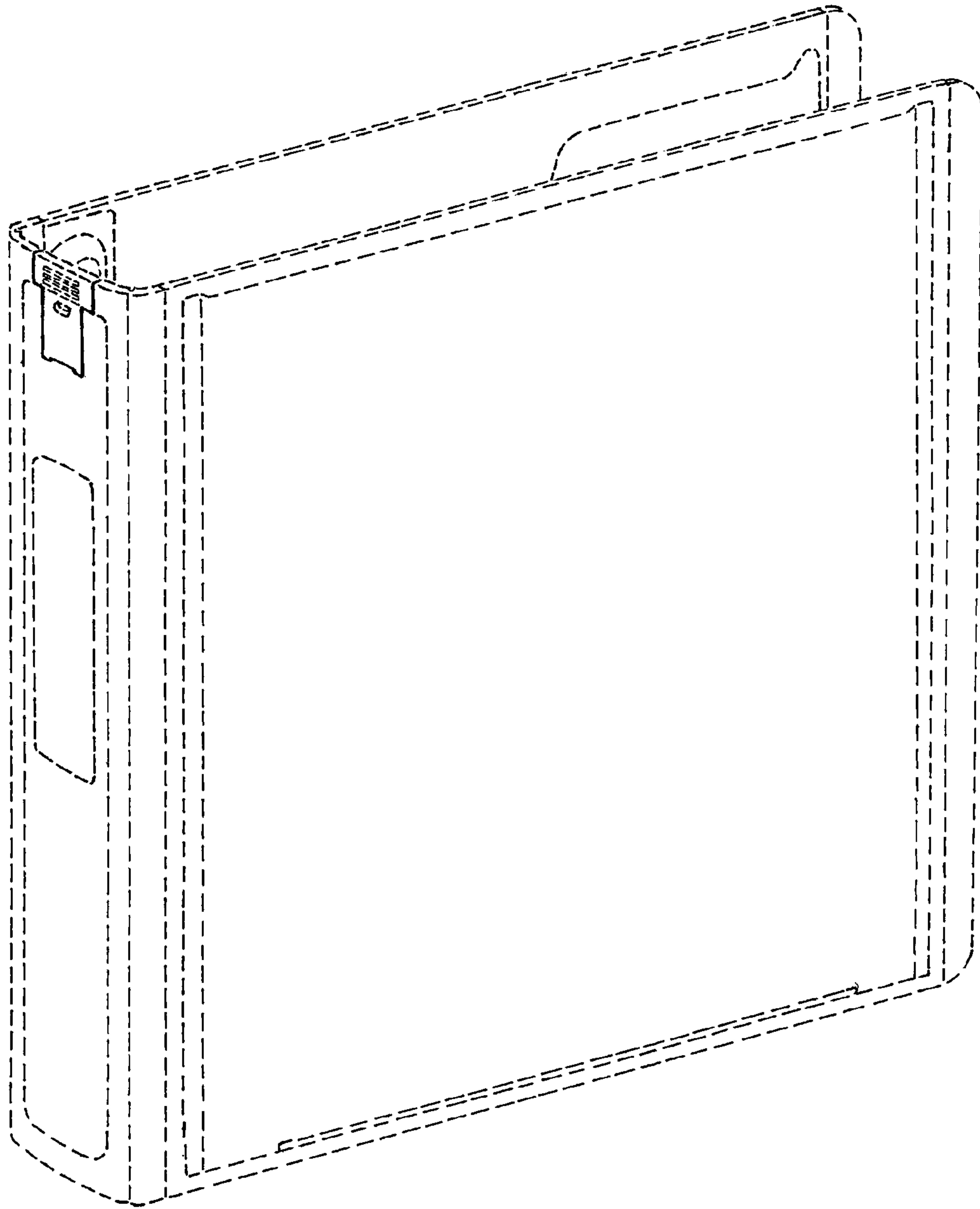


Fig. 1

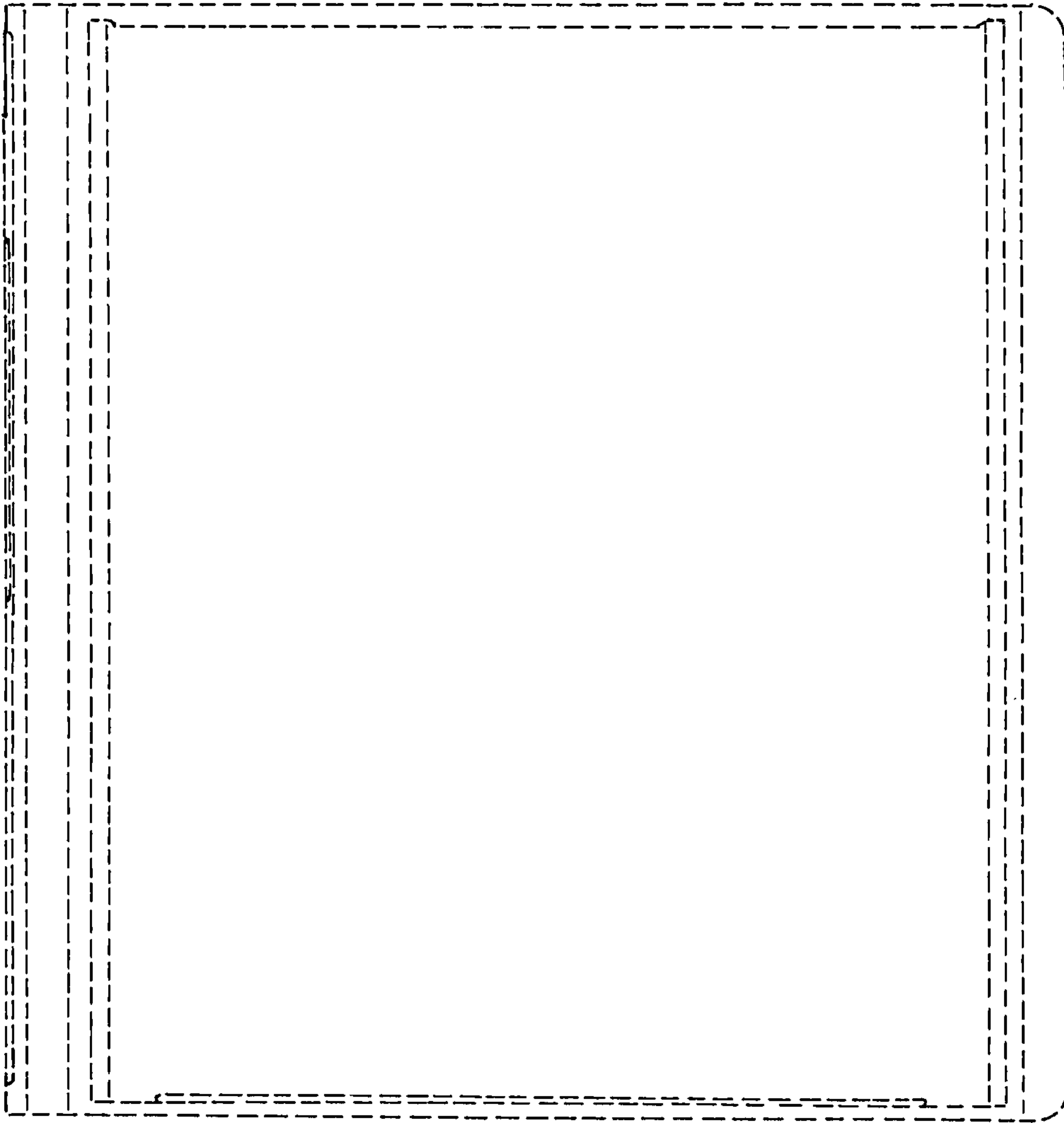


Fig. 2

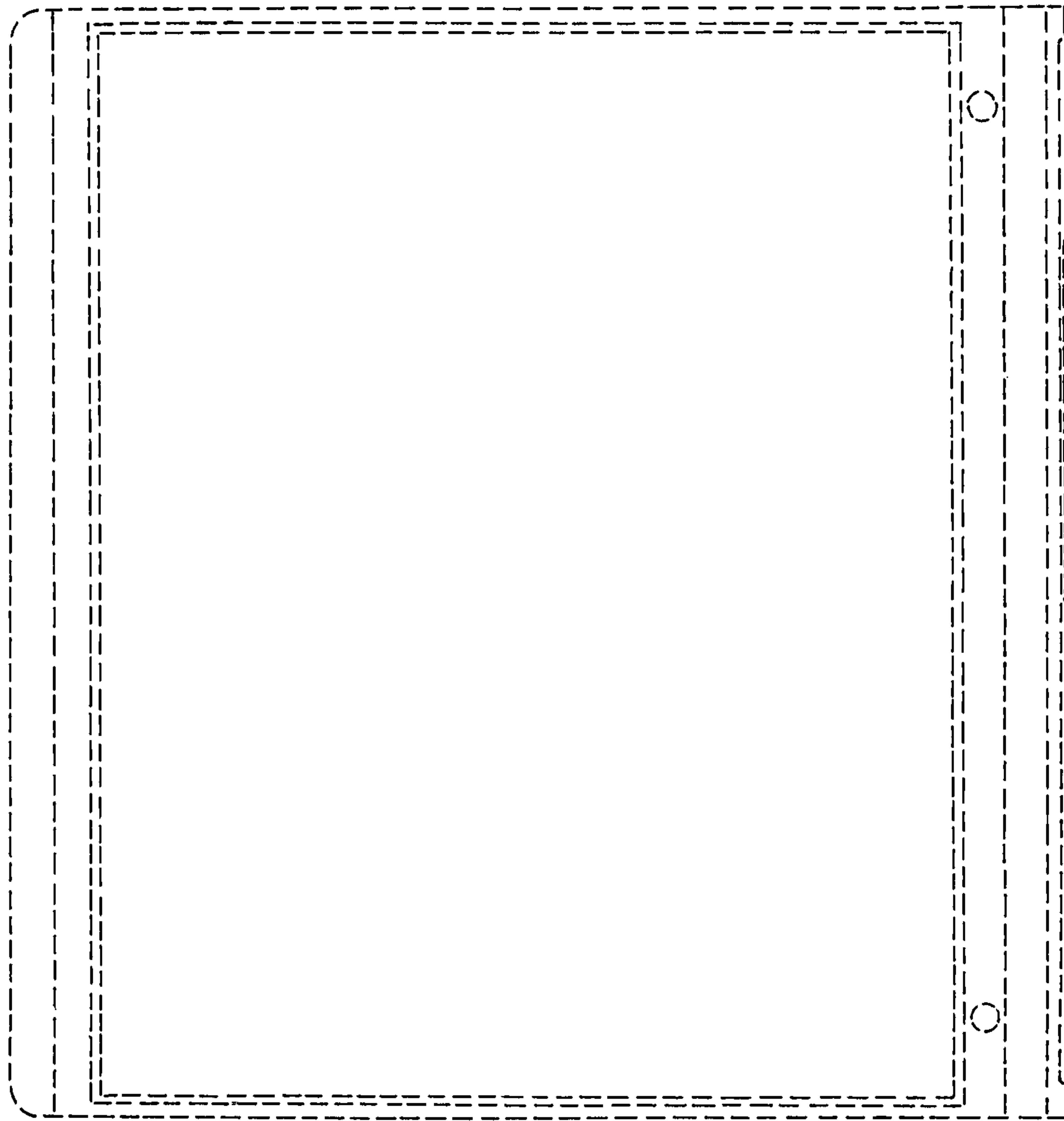


Fig. 3

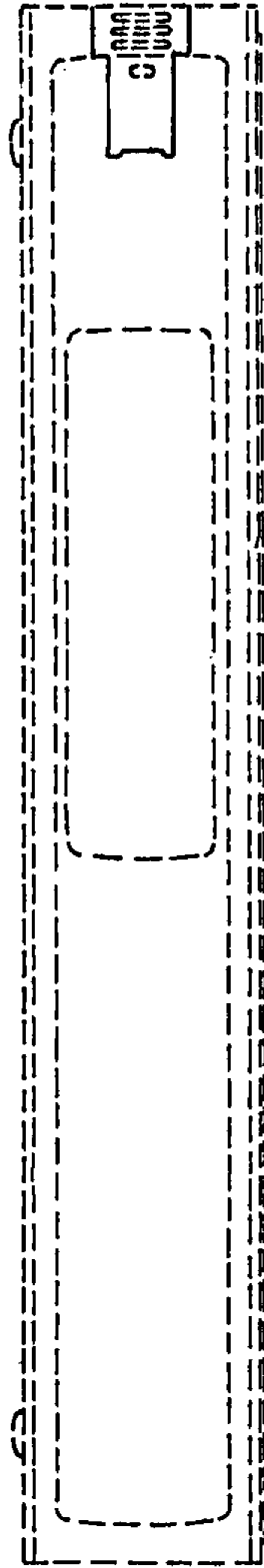


Fig. 4

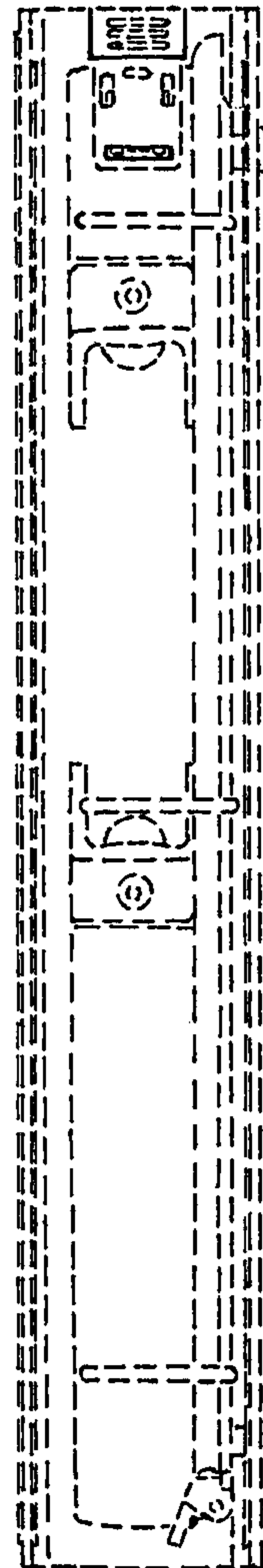


Fig. 5

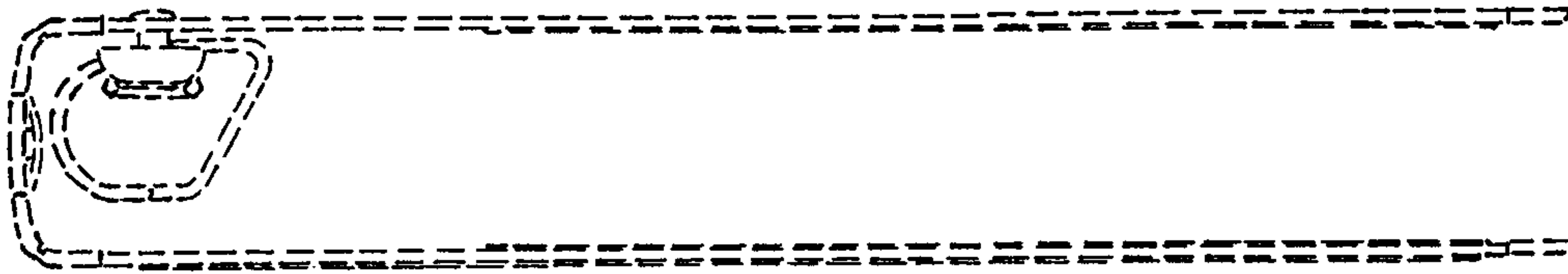


Fig. 6



Fig. 7

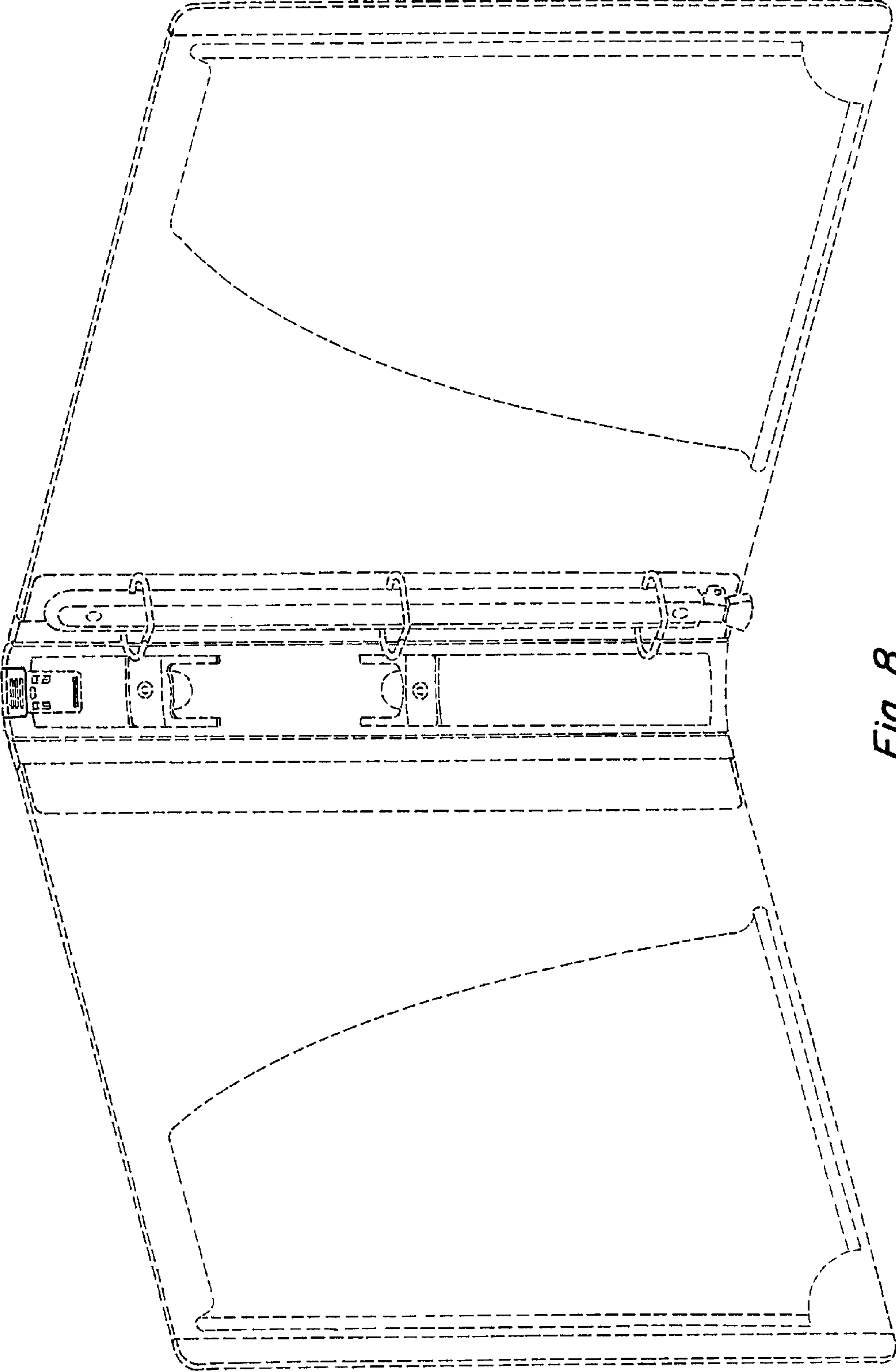


Fig. 8

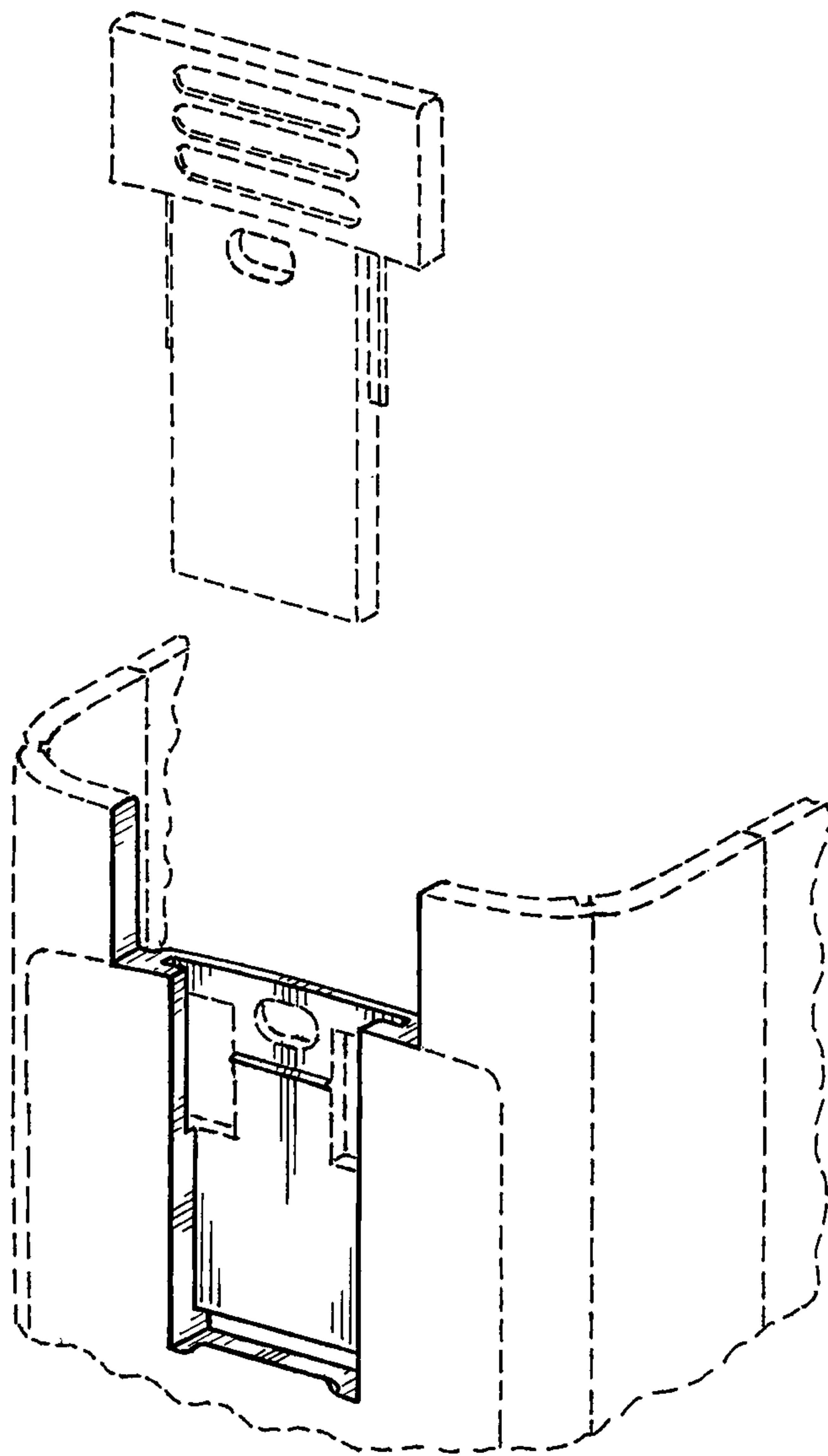


Fig. 9

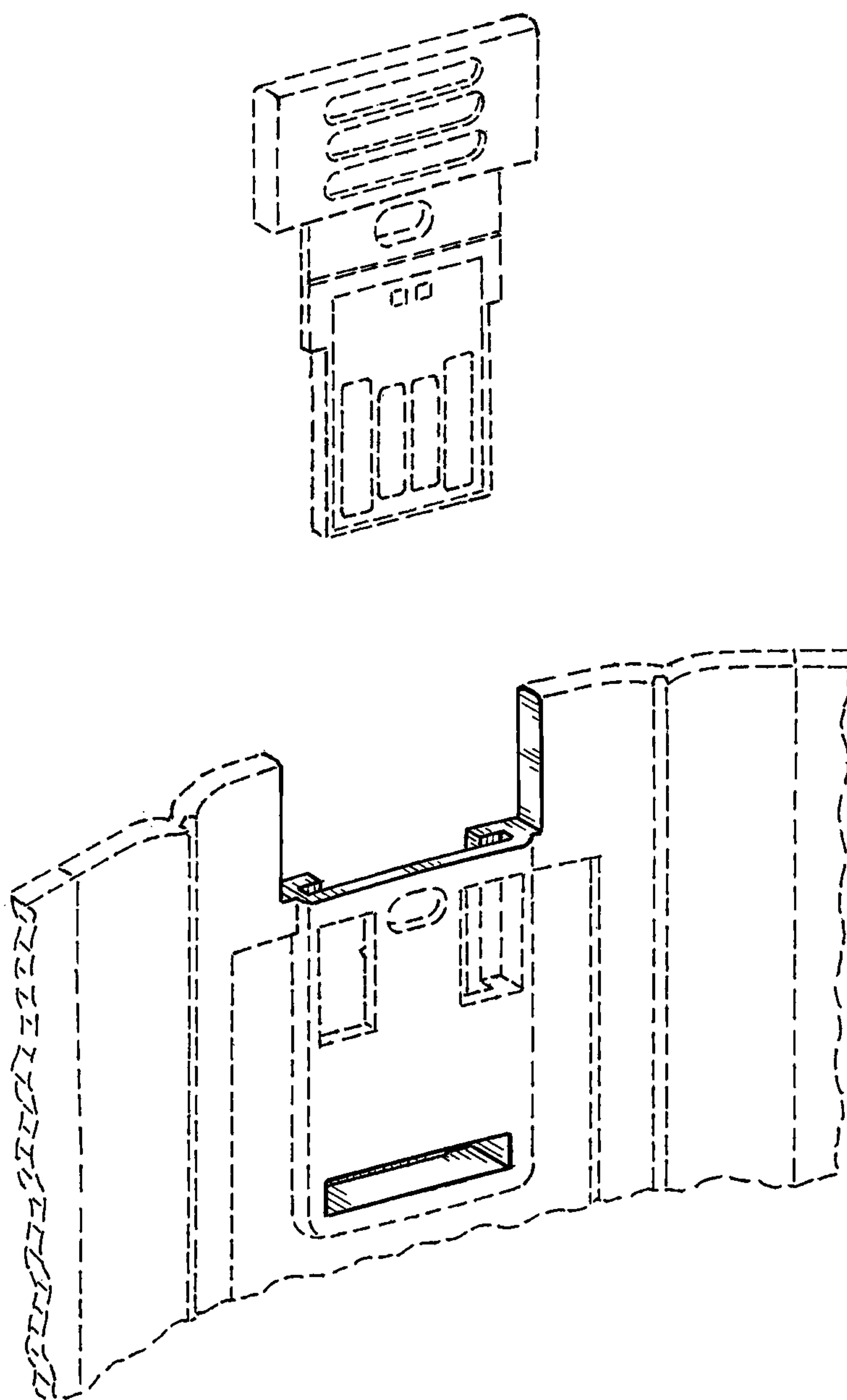


Fig. 10

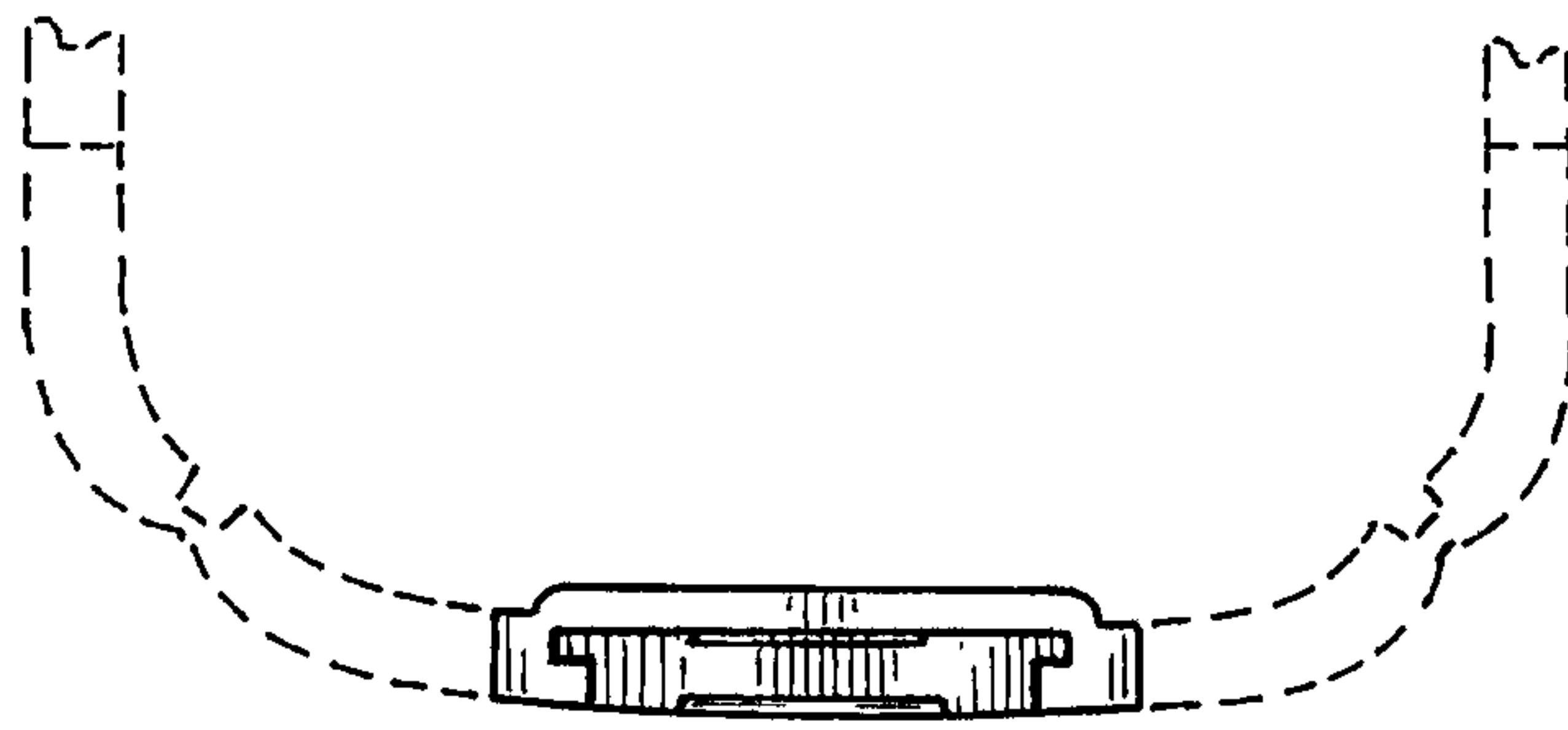


Fig. 11