



US00D733160S

(12) **United States Design Patent**
Lee et al.

(10) **Patent No.:** **US D733,160 S**
(45) **Date of Patent:** **** Jun. 30, 2015**

(54) **STAND FOR MONITOR**

(71) Applicant: **SAMSUNG ELECTRONICS CO., LTD.**, Suwon-si (KR)

(72) Inventors: **Yong-Joo Lee**, Seoul (KR); **Zhenqi Tang**, Shanghai (CN)

(73) Assignee: **SAMSUNG ELECTRONICS CO., LTD.** (KR)

(**) Term: **14 Years**

(21) Appl. No.: **29/464,053**

(22) Filed: **Aug. 12, 2013**

(30) **Foreign Application Priority Data**

Feb. 12, 2013 (KR) 30-2013-0007330

(51) **LOC (10) Cl.** **08-07**

(52) **U.S. Cl.**
USPC **D14/451**

(58) **Field of Classification Search**
USPC D14/211, 238, 251, 253, 371–382,
D14/125–129, 336, 337, 447, 448, 451, 452,
D14/492, 450, 239; 341/12; 345/104, 156,
345/168, 173; 348/180, 184, 325, 739;
349/1, 2, 11, 62; 361/679.05–679.07,
361/679.21; D6/300, 310–313, 308, 708;
D8/356, 396
CPC H03M 1/00; H03M 2201/4135; G06F
3/0412; G02F 1/13338; H04N 17/00; H04N
17/004; H04N 17/04
See application file for complete search history.

(56) **References Cited**

U.S. PATENT DOCUMENTS

D384,241 S * 9/1997 Brassat D7/391
D541,085 S * 4/2007 Marsilio D6/495
D545,820 S * 7/2007 Won et al. D14/375

D586,811 S * 2/2009 Kim et al. D14/374
D588,602 S * 3/2009 Chao et al. D14/451
D617,801 S * 6/2010 Chang et al. D14/451
D628,578 S * 12/2010 Chou et al. D14/451
D630,209 S * 1/2011 Lee et al. D14/374
D630,223 S * 1/2011 Shih D14/451
D657,792 S * 4/2012 Lee et al. D14/374
D664,956 S * 8/2012 Lee et al. D14/371
D667,826 S * 9/2012 Lee et al. D14/374
D679,542 S * 4/2013 Lion et al. D7/392.1
D681,647 S * 5/2013 Choi D14/451
D682,797 S * 5/2013 Lee et al. D14/126
D685,805 S * 7/2013 Lu et al. D14/451
D691,605 S * 10/2013 Won et al. D14/374
D697,880 S * 1/2014 Lee et al. D14/126
D697,881 S * 1/2014 Lee et al. D14/126
D702,214 S * 4/2014 Son D14/224
D702,244 S * 4/2014 Seo et al. D14/451

* cited by examiner

Primary Examiner — Deanna L. Pratt

Assistant Examiner — Katie Mroczka

(74) *Attorney, Agent, or Firm* — Cantor Colburn LLP

(57) **CLAIM**

We claim, the ornamental design for a stand for monitor, as shown and described.

DESCRIPTION

FIG. 1 is the front perspective view of a stand for monitor showing our new design;
FIG. 2 is the front elevation view thereof;
FIG. 3 is the rear elevation view thereof;
FIG. 4 is the left-side elevation view thereof;
FIG. 5 is the right-side elevation view thereof;
FIG. 6 is the top-side plan view thereof;
FIG. 7 is the bottom-side plan view thereof; and,
FIG. 8 is the front perspective view of the stand for monitor shown in an example environment.
The broken lines in FIG. 8 illustrate the environment of the claimed design and form no part thereof.

1 Claim, 6 Drawing Sheets

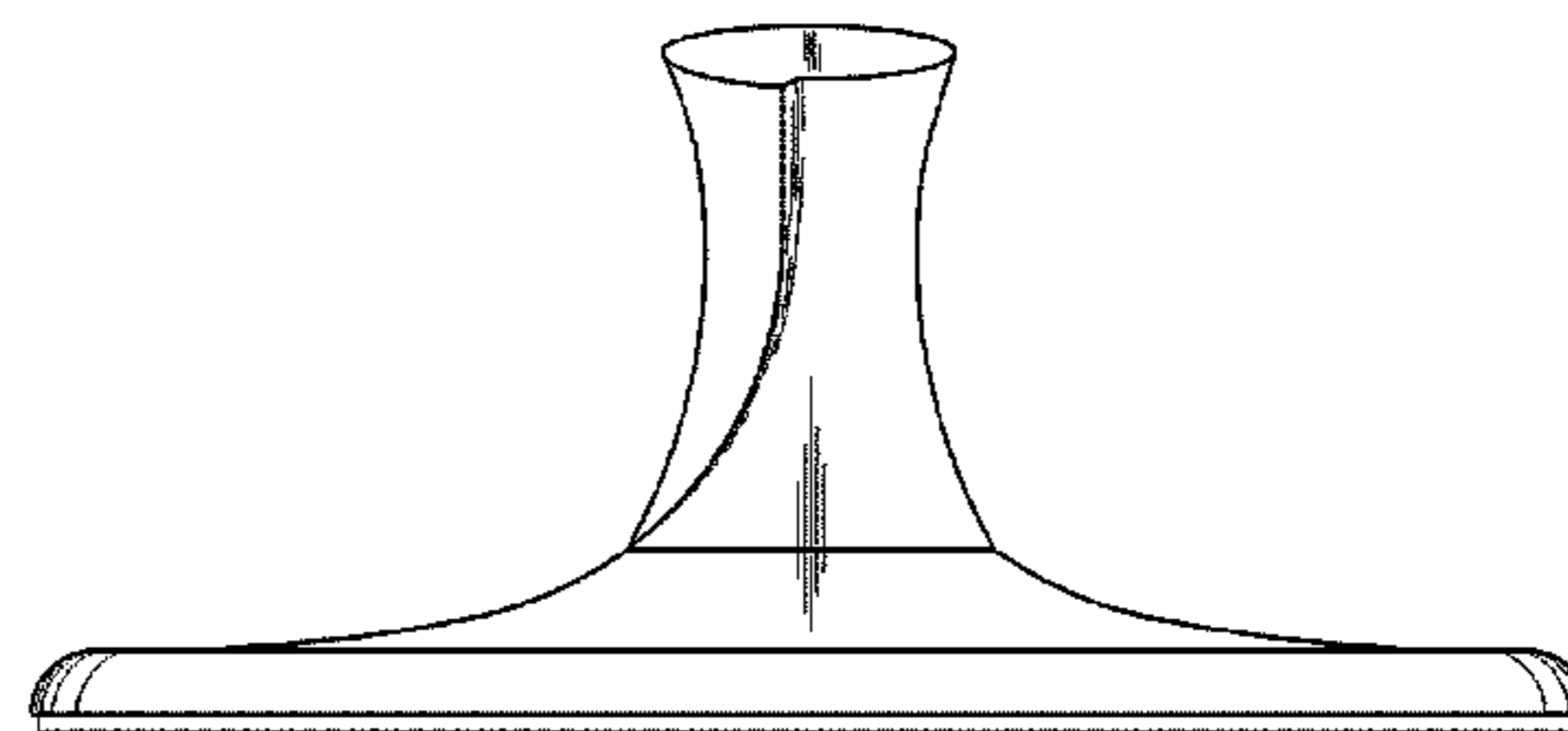
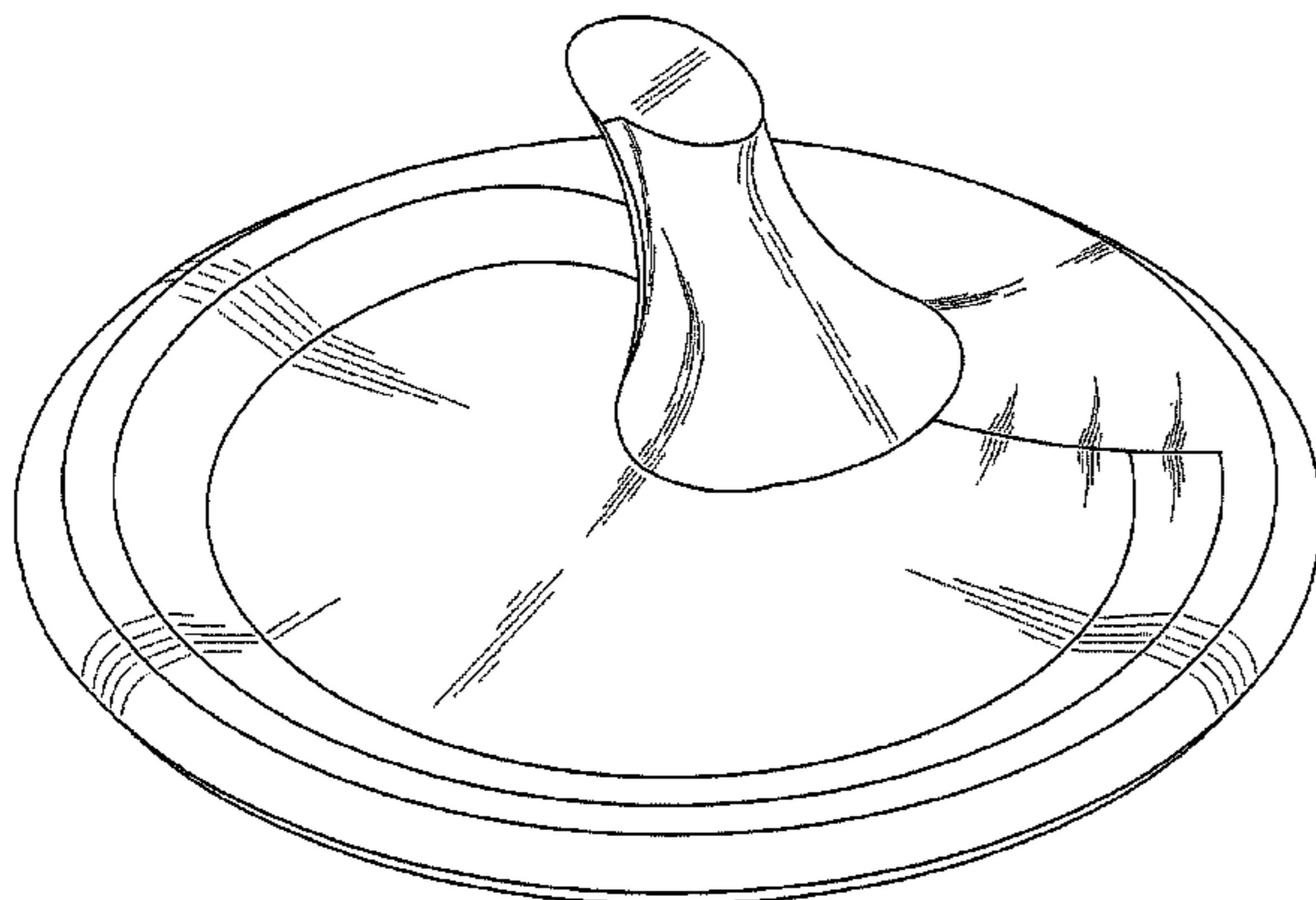


FIG. 1

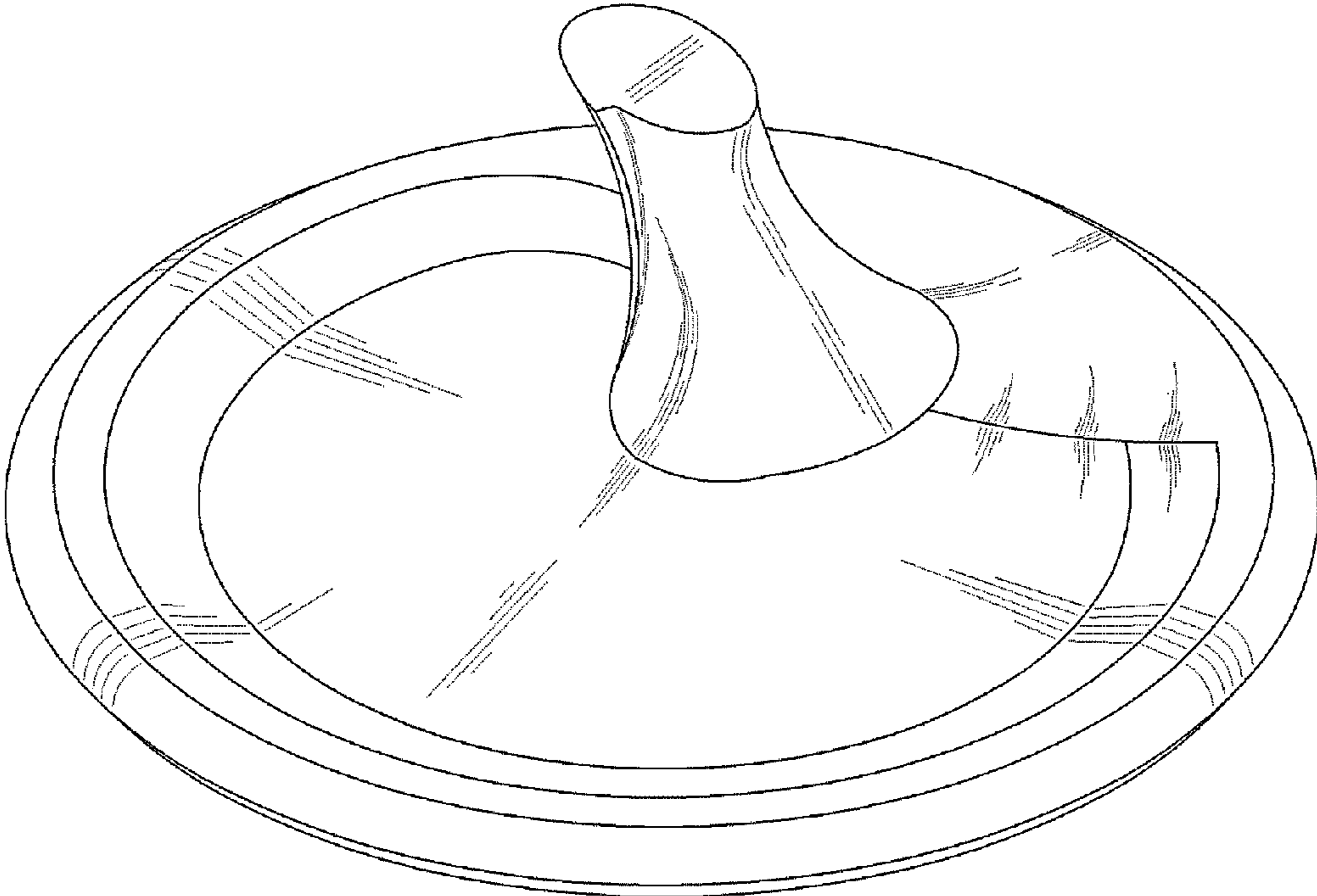


FIG.2

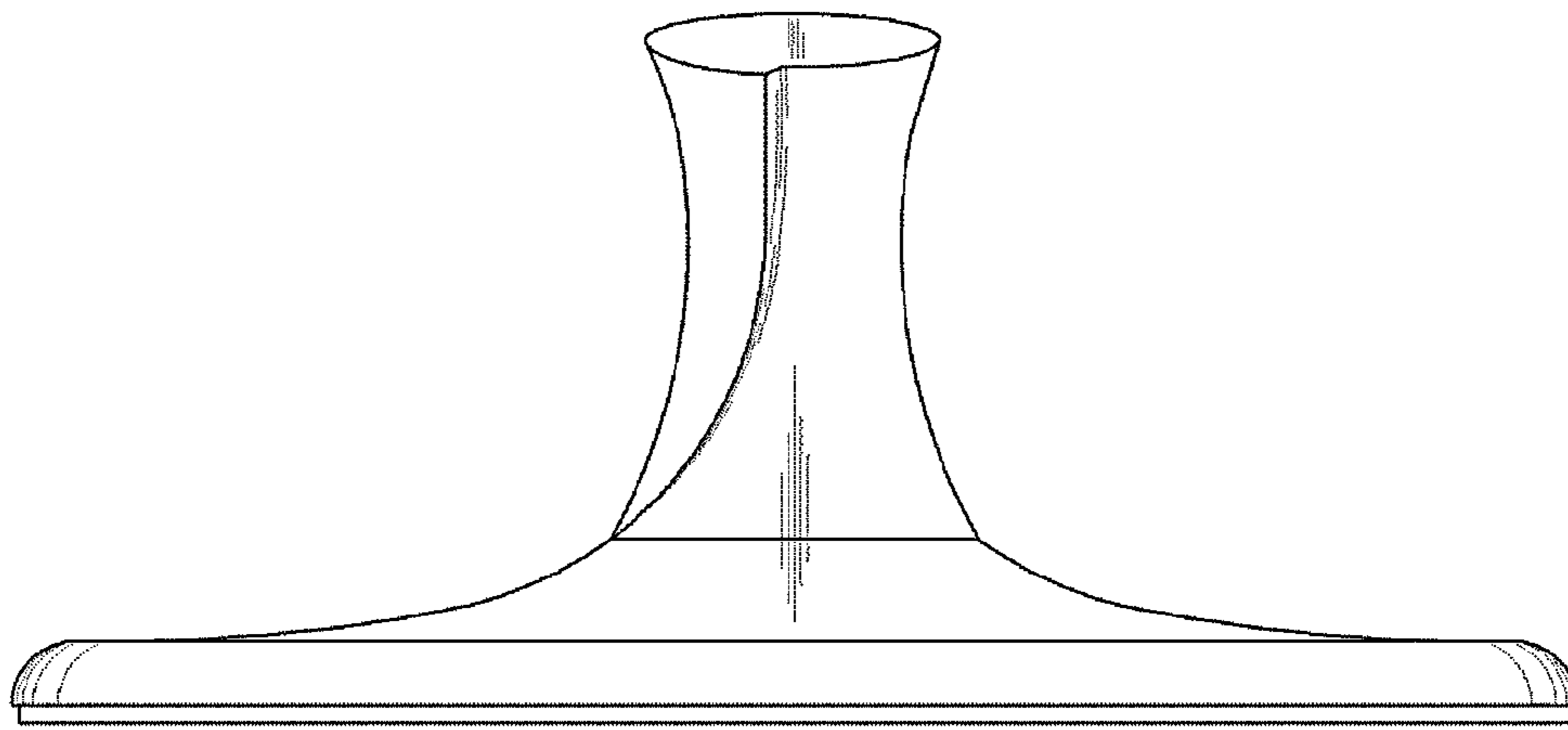


FIG.3

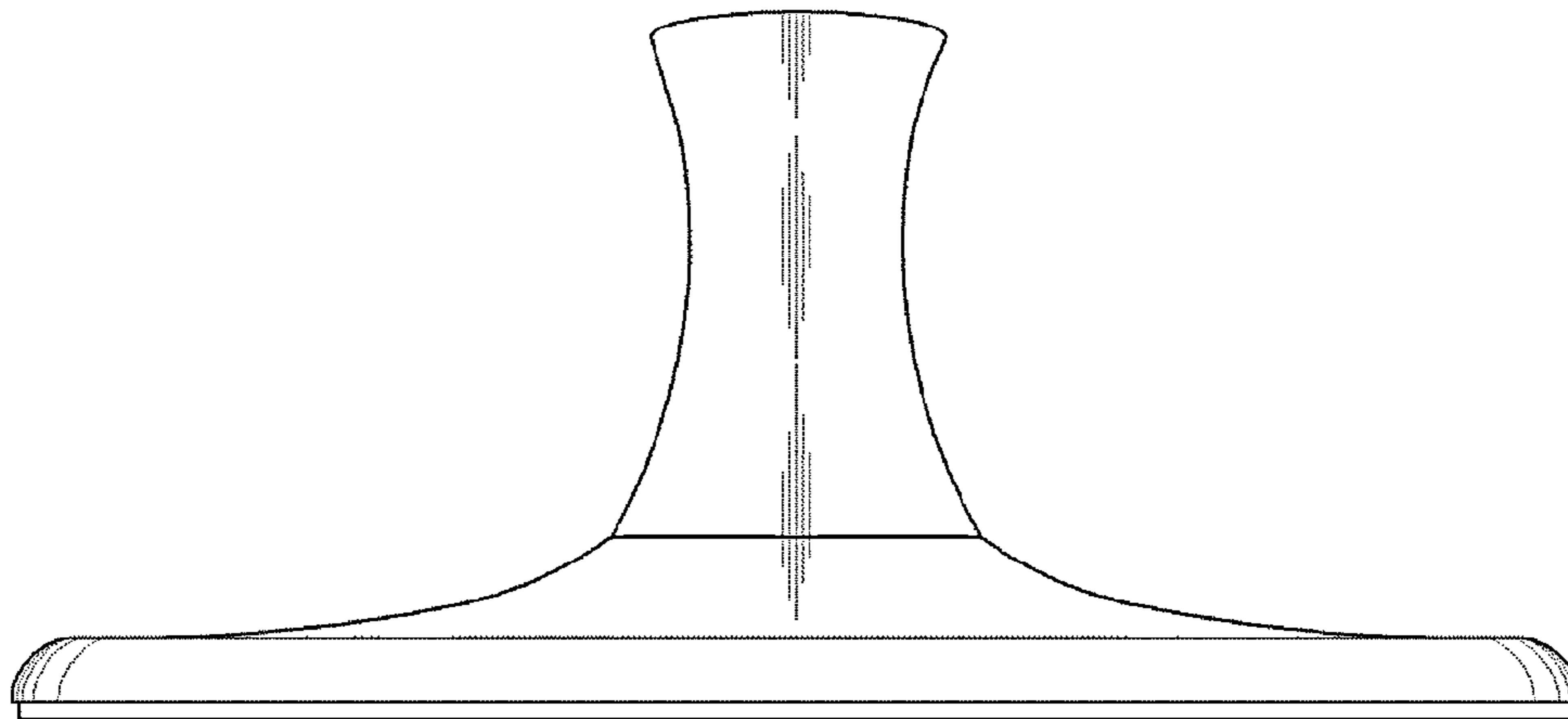


FIG.4

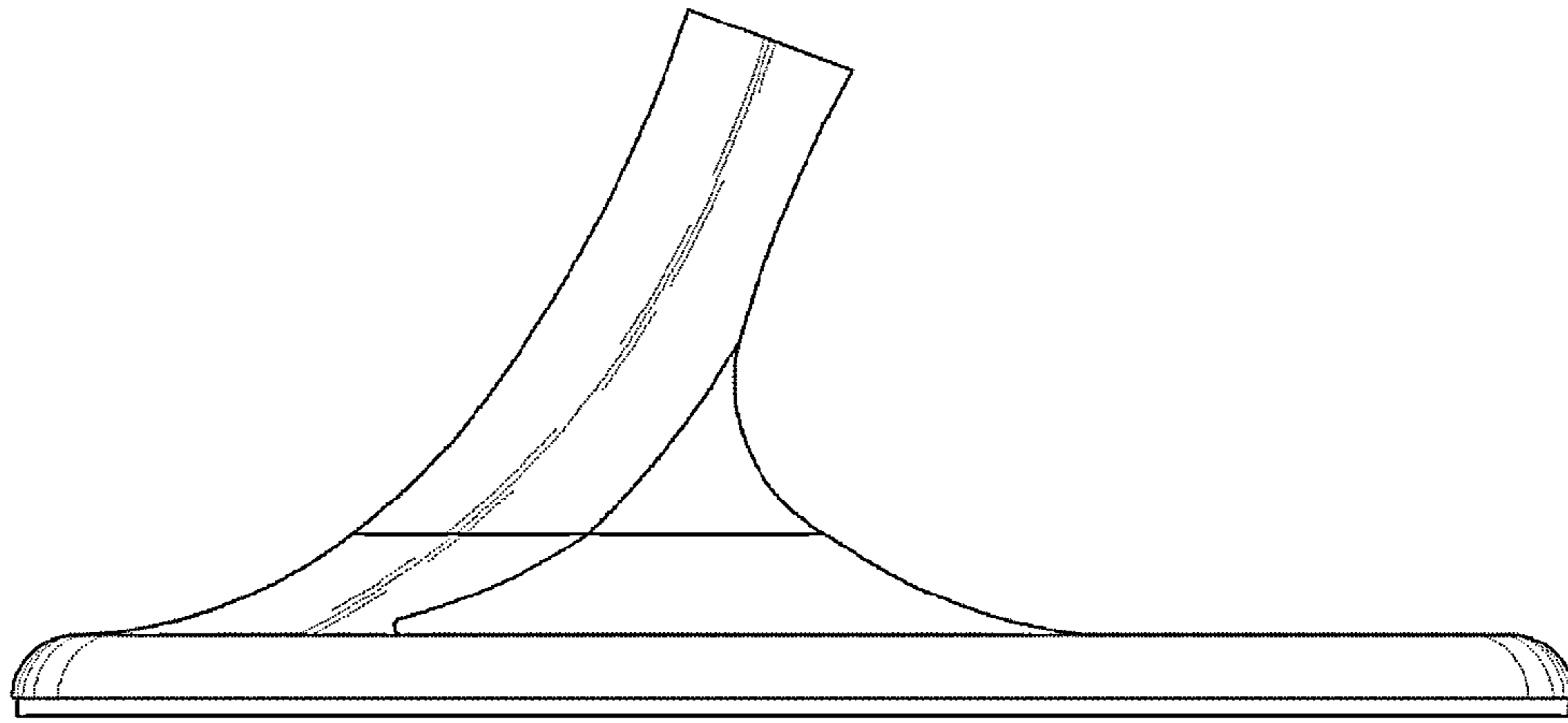


FIG.5

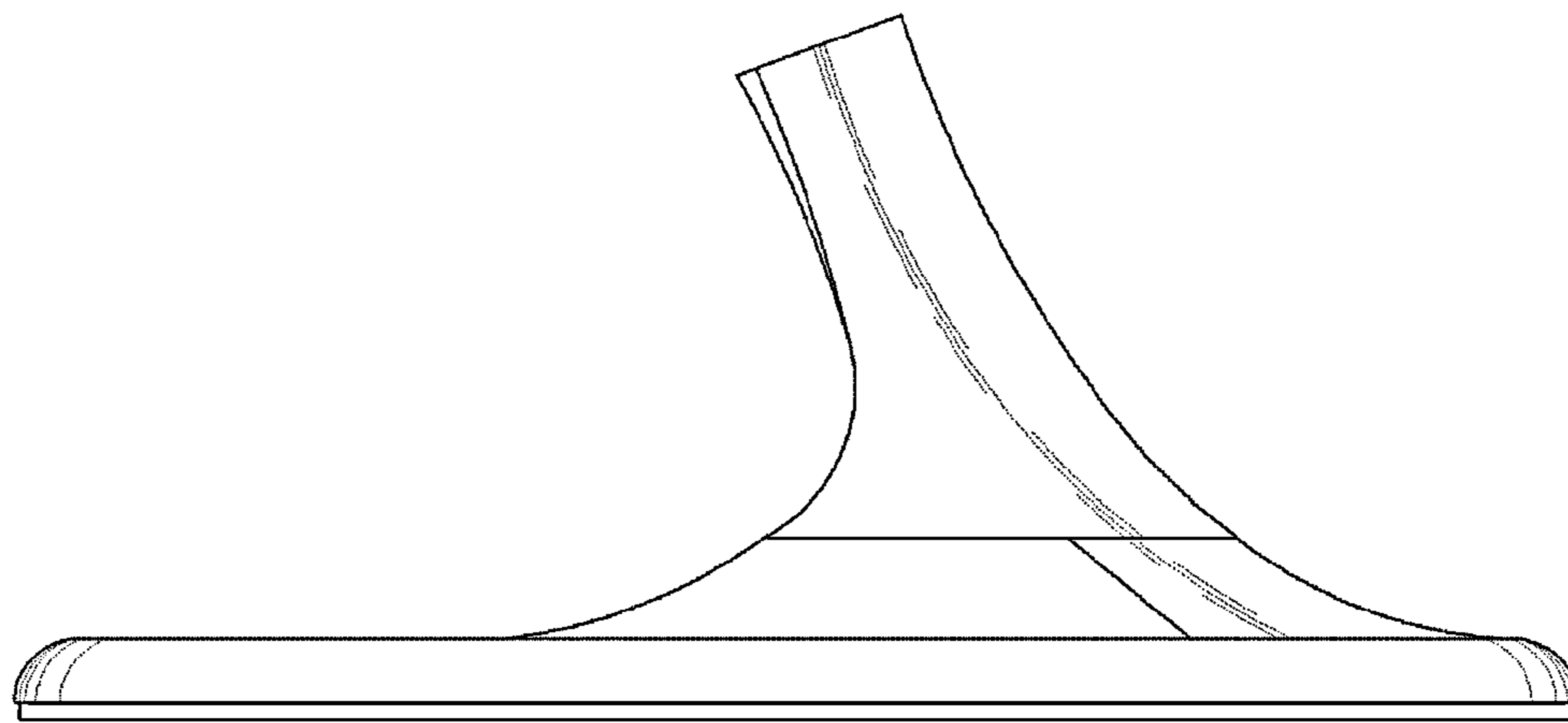


FIG.6

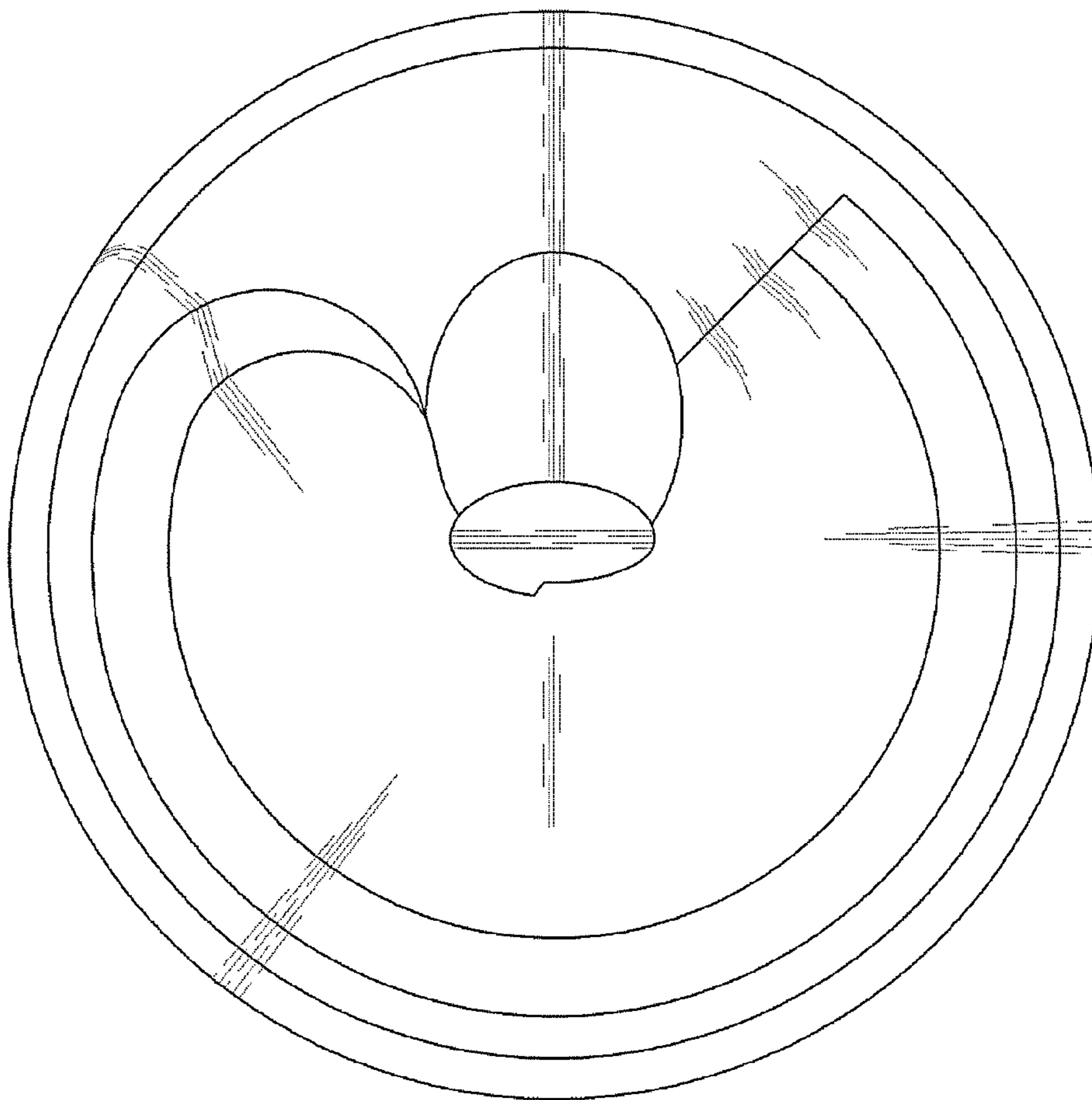


FIG.7

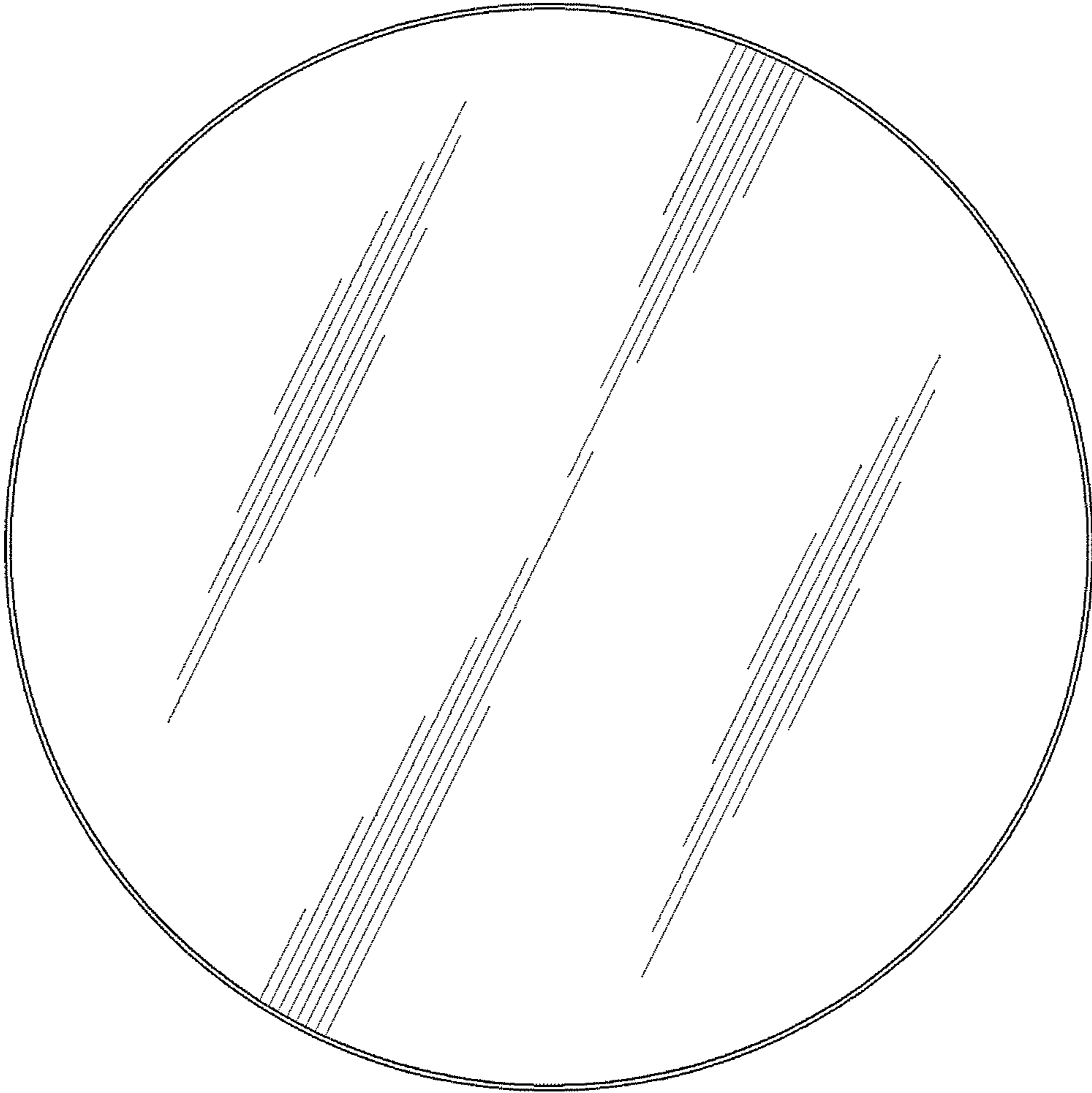


FIG.8

