



US00D733159S

(12) **United States Design Patent**  
**Jung**

(10) **Patent No.:** **US D733,159 S**  
(45) **Date of Patent:** **\*\* Jun. 30, 2015**

(54) **MONITOR**

(56) **References Cited**

(71) Applicant: **Samsung Electronics Co., Ltd.**,  
Suwon-Si, Gyeonggi-Do (KR)

U.S. PATENT DOCUMENTS

(72) Inventor: **Daehun Jung**, Seoul (KR)

462,117	A	*	10/1891	Emerson	452/54
D177,069	S	*	3/1956	Sakuta	D21/306
3,165,564	A	*	1/1965	Howle et al.	264/80
D215,622	S	*	10/1969	Alaska	D16/135
3,584,213	A	*	6/1971	Meltzer	362/295
D235,282	S	*	6/1975	Langston, Jr.	D3/24
D235,338	S	*	6/1975	Hamilton	D3/24
3,900,168	A	*	8/1975	Hamilton	242/118.32
5,094,317	A	*	3/1992	Ladendorf	181/178
5,507,143	A	*	4/1996	Luttgeharm et al.	60/226.2
D408,576	S	*	4/1999	Crosby	D26/85
D423,230	S	*	4/2000	Hatcher, Jr.	D4/199
D471,926	S	*	3/2003	Allen	D16/135
D559,830	S	*	1/2008	Lintern	D14/187
D571,787	S	*	6/2008	Hwa-jei	D14/216
D647,140	S	*	10/2011	Ray	D19/73
D704,885	S	*	5/2014	Cannon	D26/106

(73) Assignee: **Samsung Electronics Co., Ltd.**,  
Gyeonggi-do (KR)

(\*\*) Term: **14 Years**

(21) Appl. No.: **29/460,365**

(22) Filed: **Jul. 10, 2013**

(30) **Foreign Application Priority Data**

Jan. 14, 2013 (KR) ..... 30-2013-0002279

(51) **LOC (10) Cl.** ..... **08-07**

(52) **U.S. Cl.**  
USPC ..... **D14/451**

(58) **Field of Classification Search**  
USPC ..... D14/211, 238, 251, 253, 371-382,  
D14/125-129, 336, 337, 447, 448, 451, 452,  
D14/492, 450, 239; 341/12; 345/104, 156,  
345/168, 173; 348/180, 184, 325, 739;  
349/1, 2, 11, 62; 361/679.05-679.07,  
361/679.21; D6/300, 310-313, 308, 708;  
D8/356, 396  
CPC ..... H03M 1/00; H03M 2201/4135; G06F  
3/0412; G02F 1/13338; H04N 17/00; H04N  
17/004; H04N 17/04

See application file for complete search history.

\* cited by examiner

*Primary Examiner* — Deanna L Pratt

*Assistant Examiner* — Katie Mroczka

(74) *Attorney, Agent, or Firm* — Harness, Dickey & Pierce

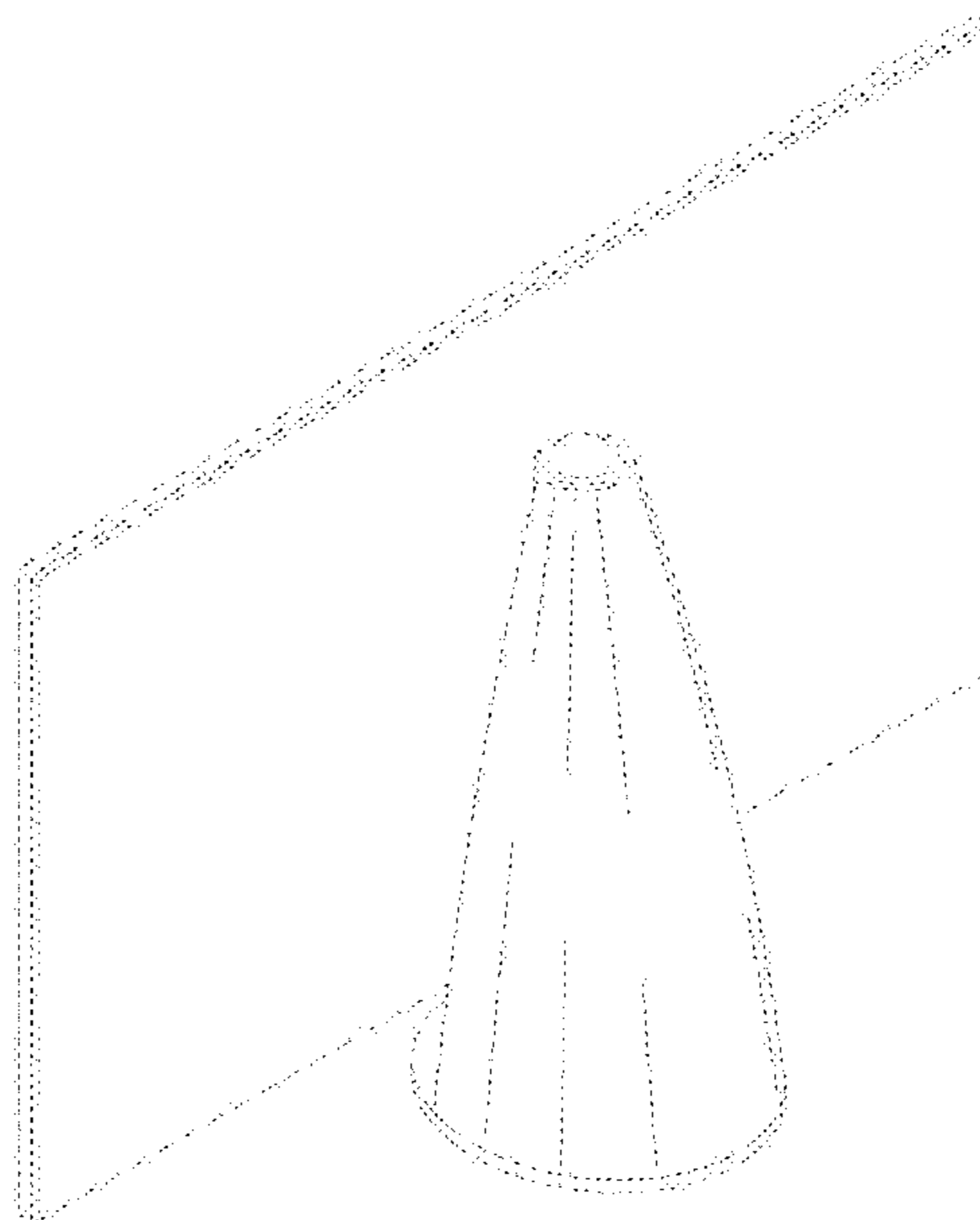
(57) **CLAIM**

The ornamental design for a monitor, as shown and described.

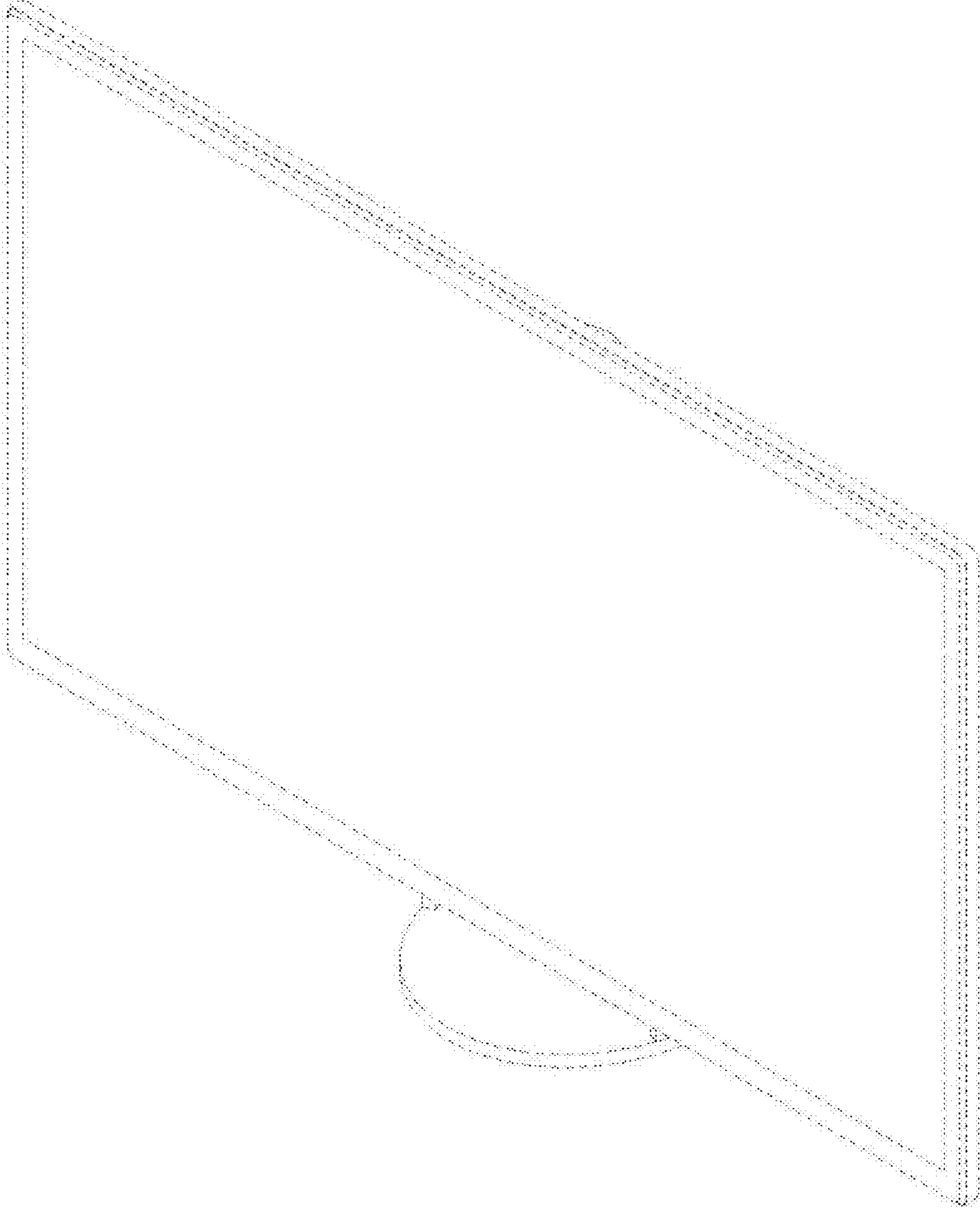
**DESCRIPTION**

FIG. 1 is the front/right-side/top perspective view of a monitor showing my new design;  
FIG. 2 is the front elevational view thereof;  
FIG. 3 is the rear elevational view thereof;  
FIG. 4 is the left-side elevational view thereof;  
FIG. 5 is the right-side elevational view thereof;  
FIG. 6 is the top-side plan view thereof;  
FIG. 7 is the bottom-side plan view thereof; and,  
FIG. 8 is the rear/left-side/top perspective view thereof.  
The broken lines shown in the drawings represent unclaimed portions.

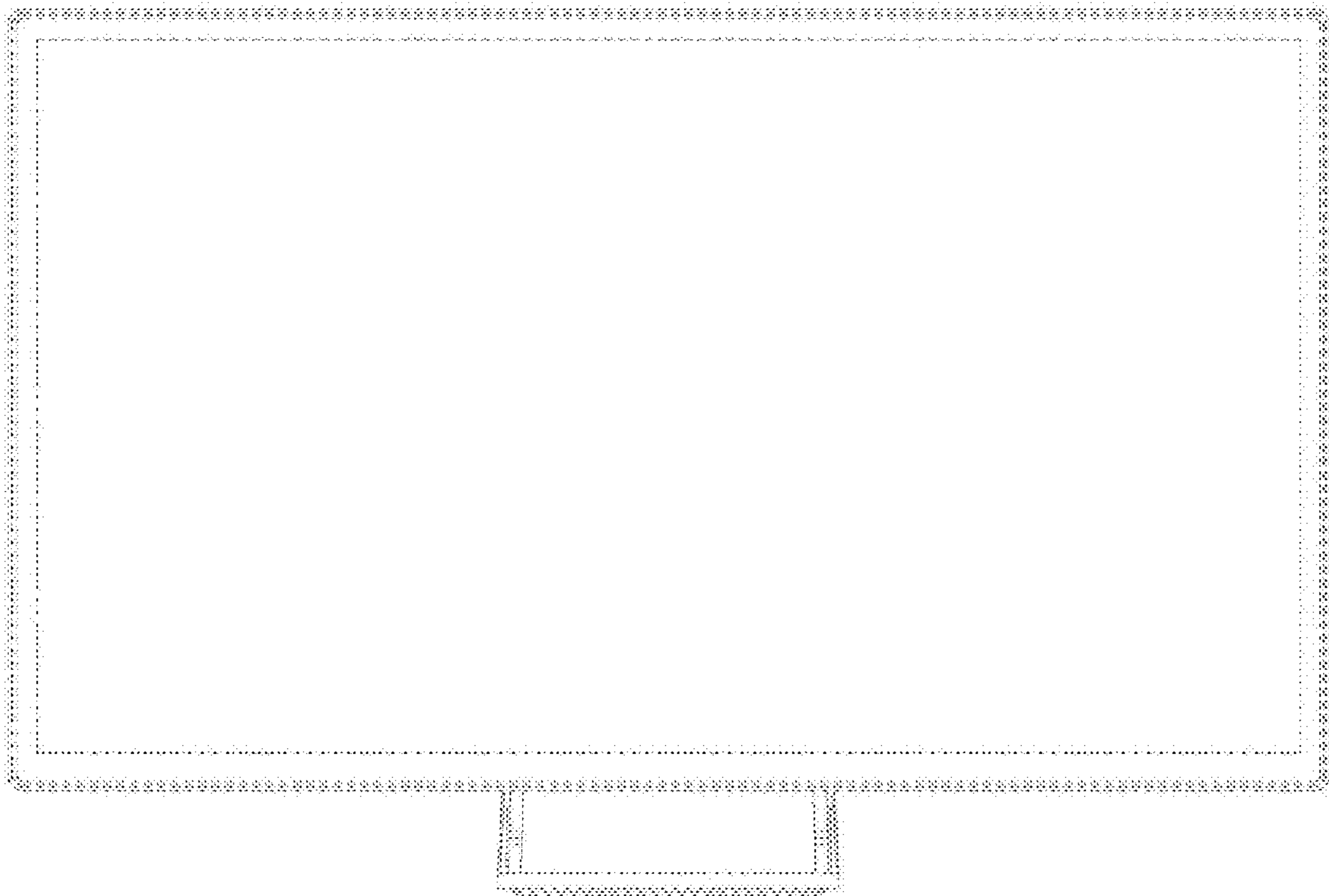
**1 Claim, 7 Drawing Sheets**



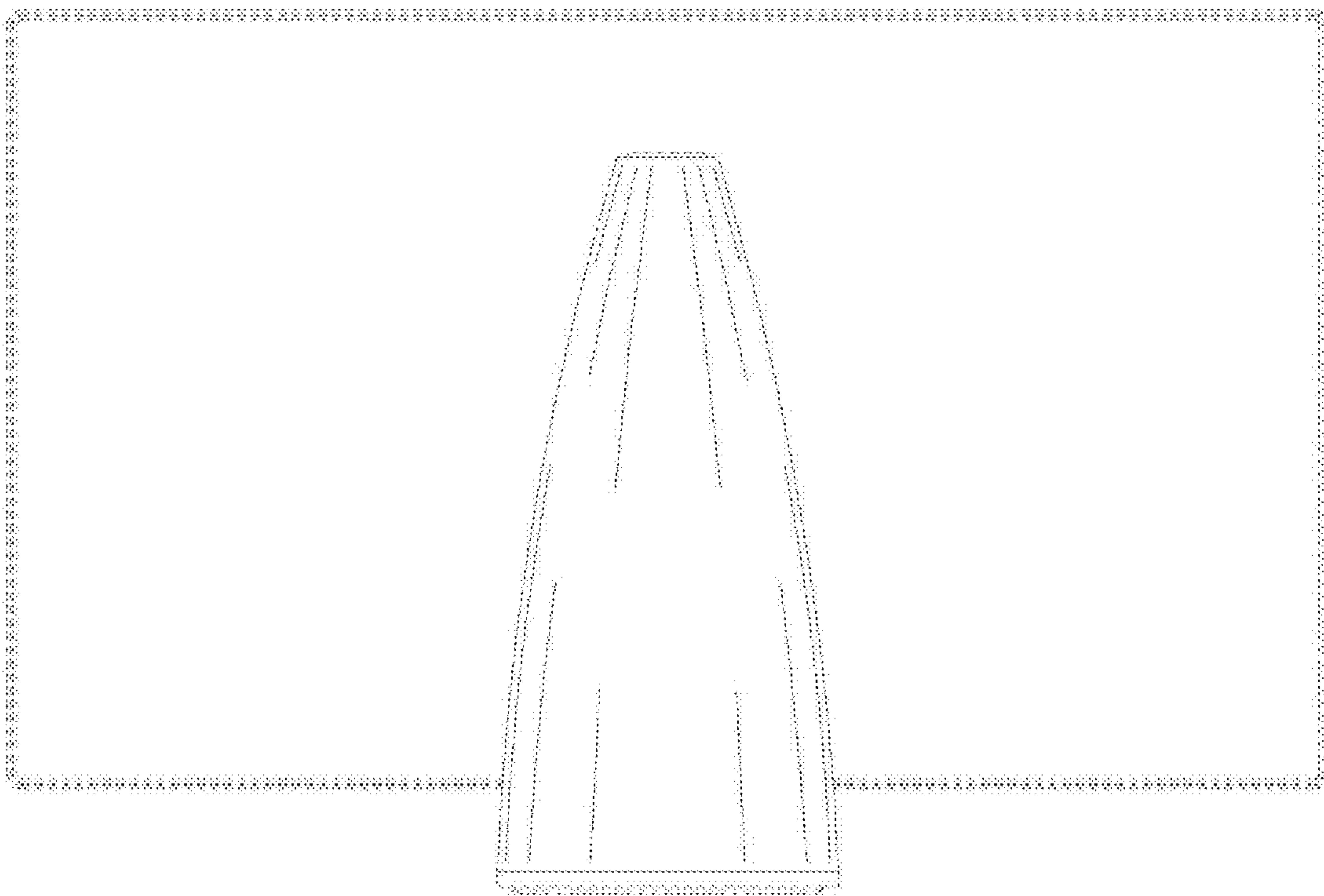
**FIG. 1**



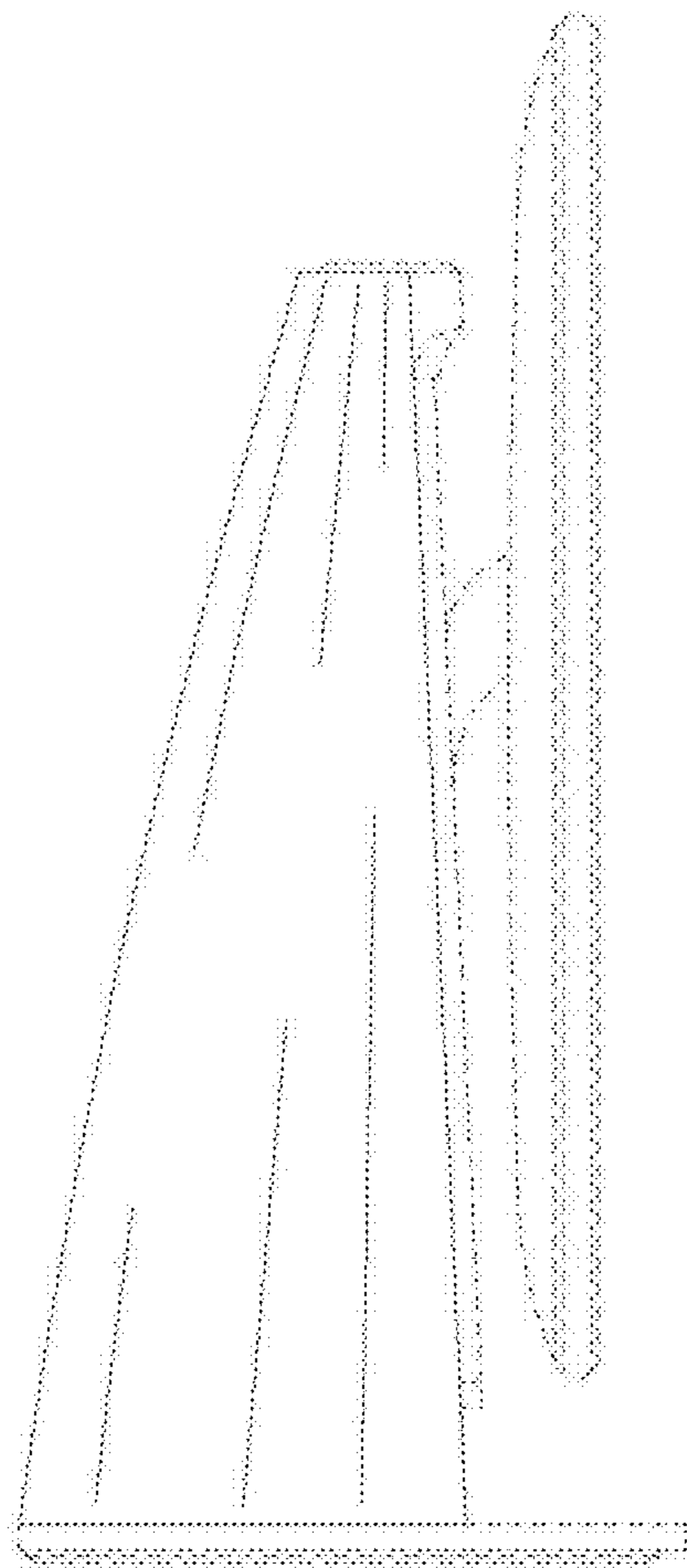
**FIG. 2**



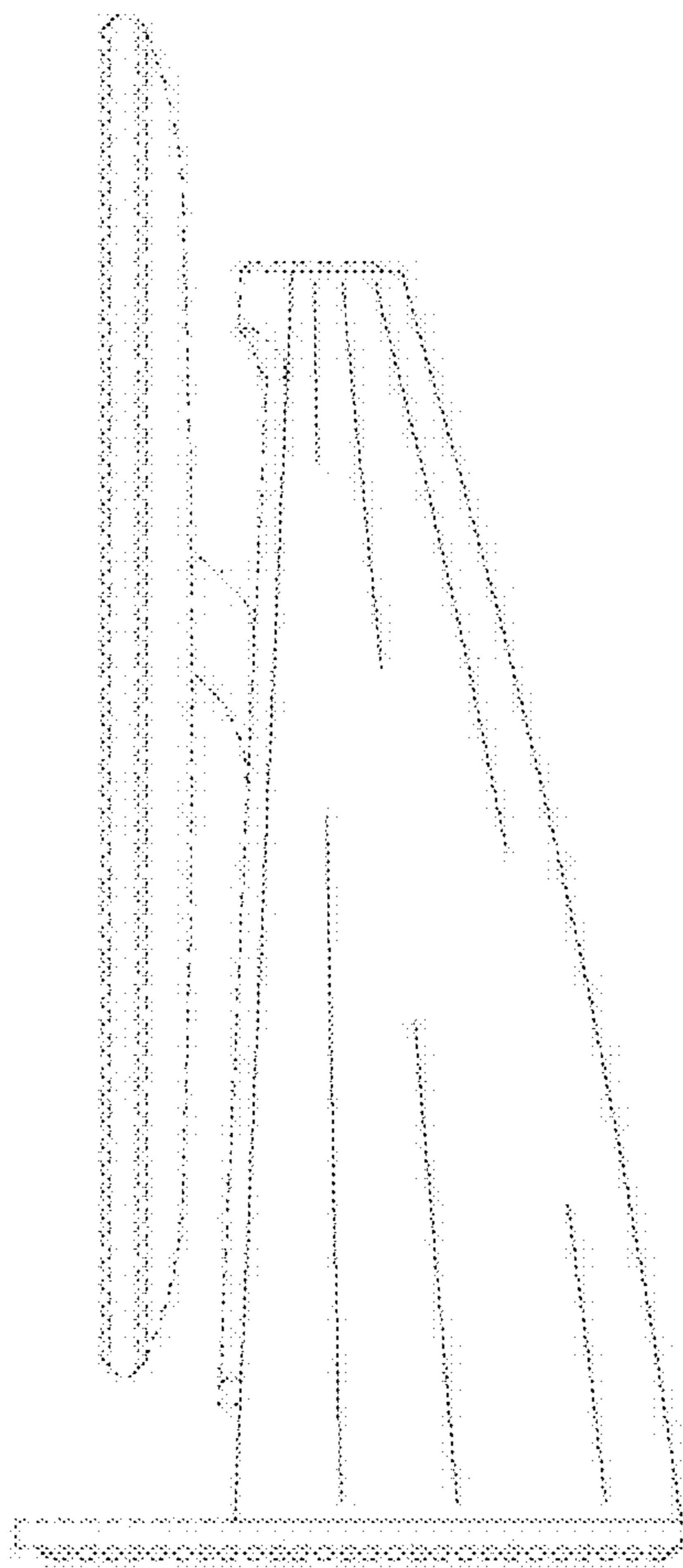
**FIG. 3**



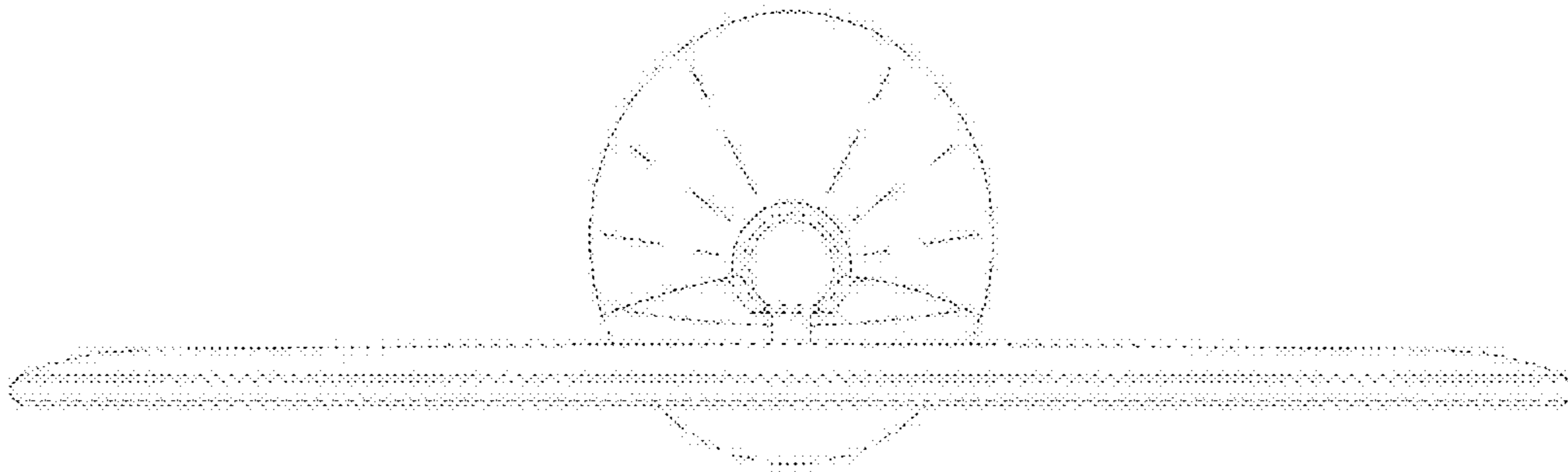
**FIG. 4**



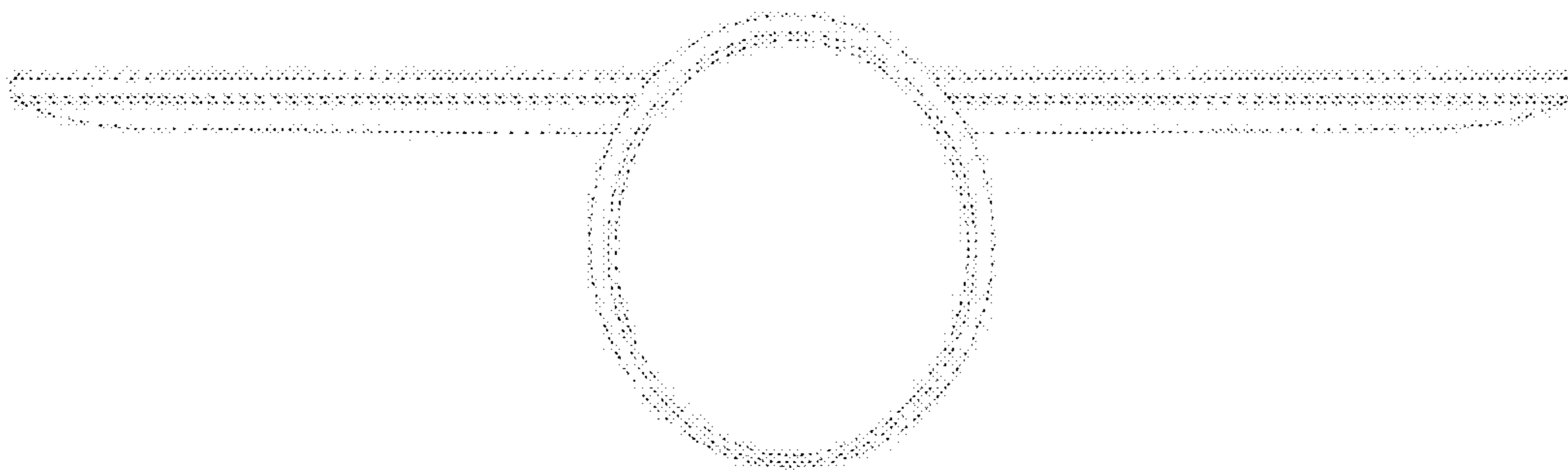
**FIG. 5**



**FIG. 6**



**FIG. 7**



**FIG. 8**

