



US00D733158S

(12) **United States Design Patent**
Kardach

(10) **Patent No.:** **US D733,158 S**
(45) **Date of Patent:** **** Jun. 30, 2015**

(54) **TOP SHELF FOR FLAT SCREEN
TELEVISIONS**

(71) Applicant: **Gerald E. Kardach**, South Milwaukee,
WI (US)

(72) Inventor: **Gerald E. Kardach**, South Milwaukee,
WI (US)

(**) Term: **14 Years**

(21) Appl. No.: **29/445,149**

(22) Filed: **Feb. 7, 2013**

(51) **LOC (10) Cl.** **14-02**

(52) **U.S. Cl.**
USPC **D14/448**

(58) **Field of Classification Search**
USPC D14/371-375, 125-129, 336, 337, 448,
D14/451, 452, 492, 335, 376-382, 447,
D14/239; 341/12; 345/104, 156, 168, 173;
348/180, 184, 325, 739; 349/1, 2, 11,
349/62; 361/679.05-679.07, 679.21,
361/679.22; D6/40.2, 422, 428, 449, 470,
D6/474, 483, 484, 487, 696.1

See application file for complete search history.

(56) **References Cited**

U.S. PATENT DOCUMENTS

D235,834 S * 7/1975 Payne D6/483
D241,490 S * 9/1976 Karlin D6/428
D261,837 S * 11/1981 Sonder et al. D6/406.2
D292,765 S * 11/1987 Esslinger et al. D6/484
D299,601 S * 1/1989 Campbell D6/487

D366,781 S * 2/1996 Cartwright D6/422
D409,992 S * 5/1999 Mockett D14/451
D462,541 S * 9/2002 Welch D6/449
D503,568 S * 4/2005 Adams D6/474
D644,456 S * 9/2011 Martin D6/483
D663,139 S * 7/2012 Zambelli D6/470
D692,264 S * 10/2013 Weatherly D6/696.1
D717,289 S * 11/2014 Takabatake D14/252

* cited by examiner

Primary Examiner — Deanna L Pratt

Assistant Examiner — Katie Mroczka

(74) *Attorney, Agent, or Firm* — Absolute Technology Law
Group, LLC

(57) **CLAIM**

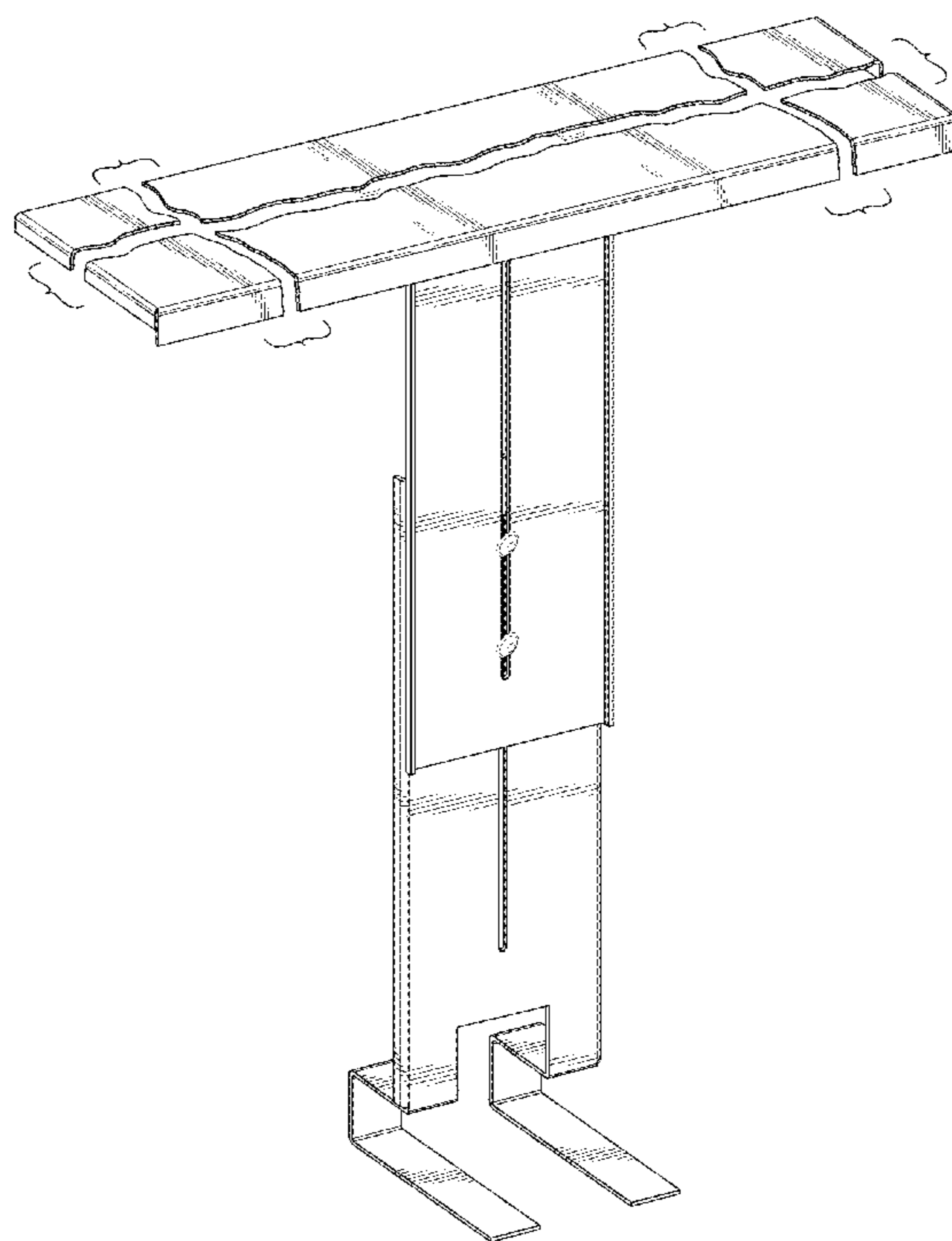
The ornamental design for a top shelf for flat screen televi-
sions, as shown and described.

DESCRIPTION

FIG. 1 is a front left perspective view showing my new design.
FIG. 2 is a rear left perspective view.
FIG. 3 is a top view.
FIG. 4 is a left view.
FIG. 5 is a right view.
FIG. 6 is a front view.
FIG. 7 is a bottom view; and,
FIG. 8 is a rear view.

The broken lines in the drawings illustrate portions of the top
shelf for flat screen televisions that form no part of the
claimed design. The break lines shown in FIGS. 1-8 of the
claimed design indicate that the appearance of any portion of
the article between the break lines forms no part of the
claimed design.

1 Claim, 5 Drawing Sheets



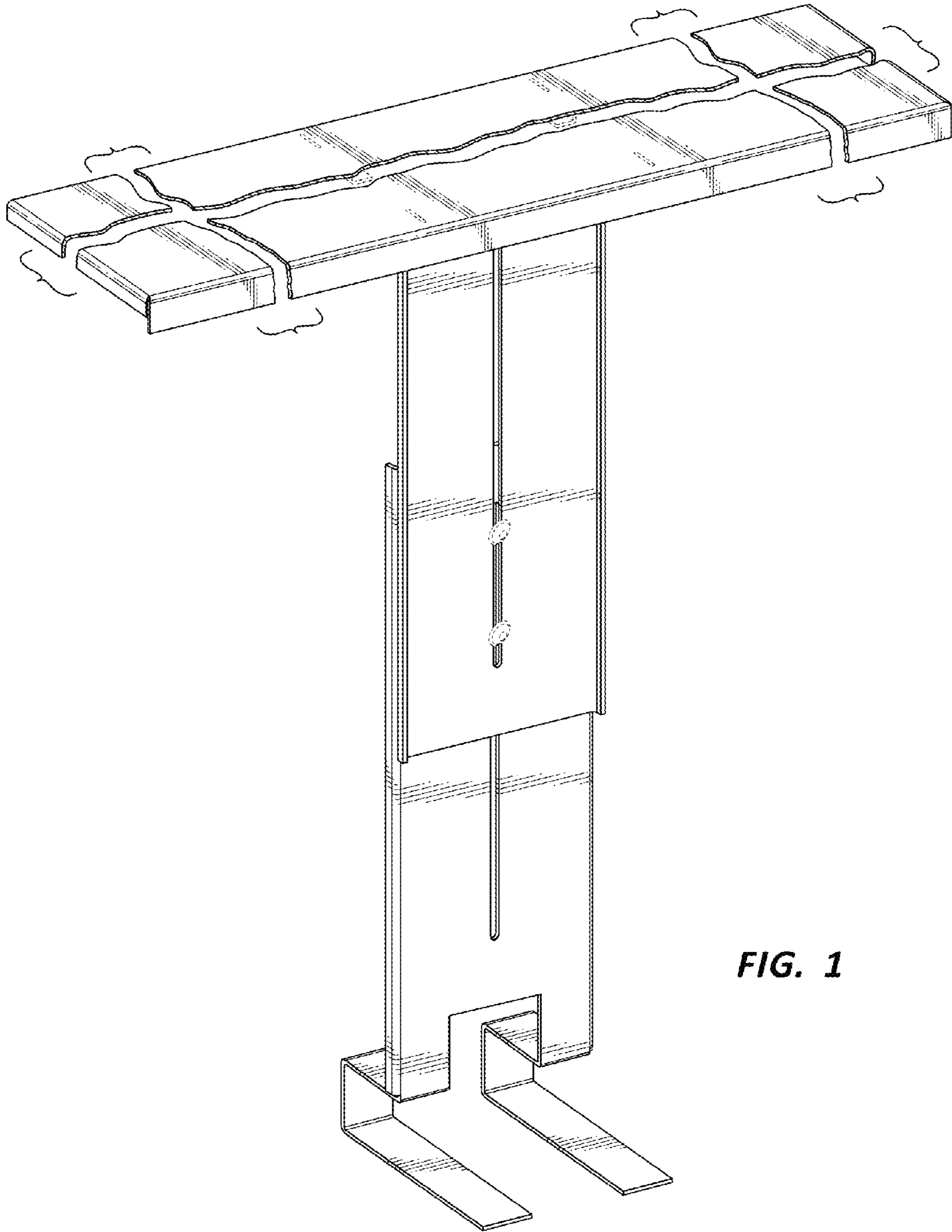


FIG. 1

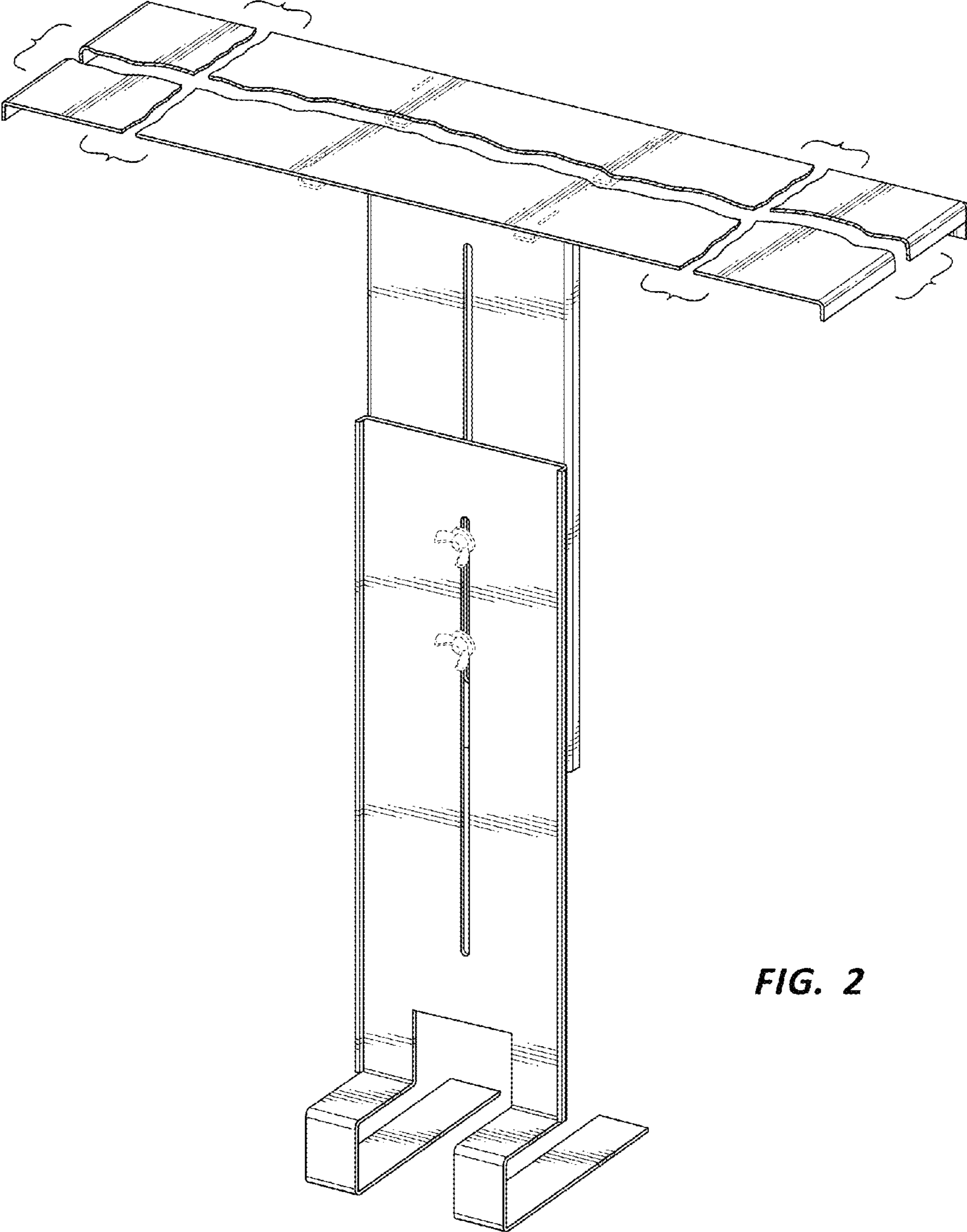


FIG. 2

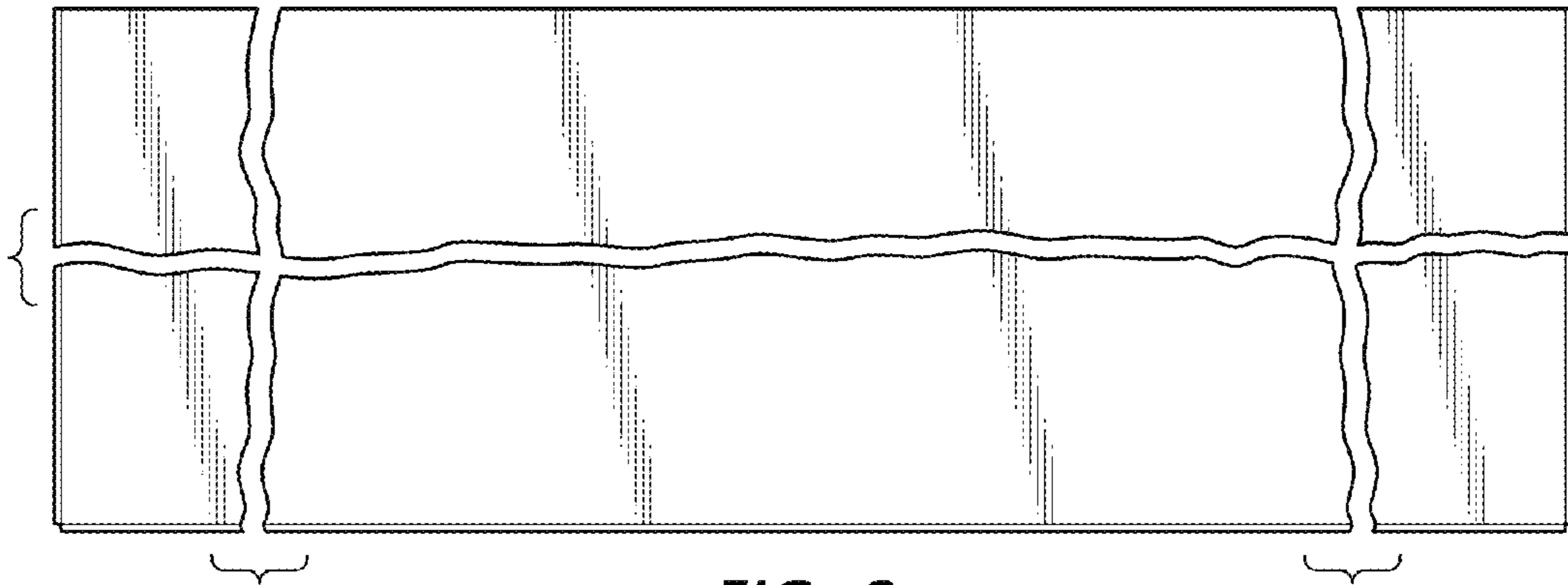


FIG. 3

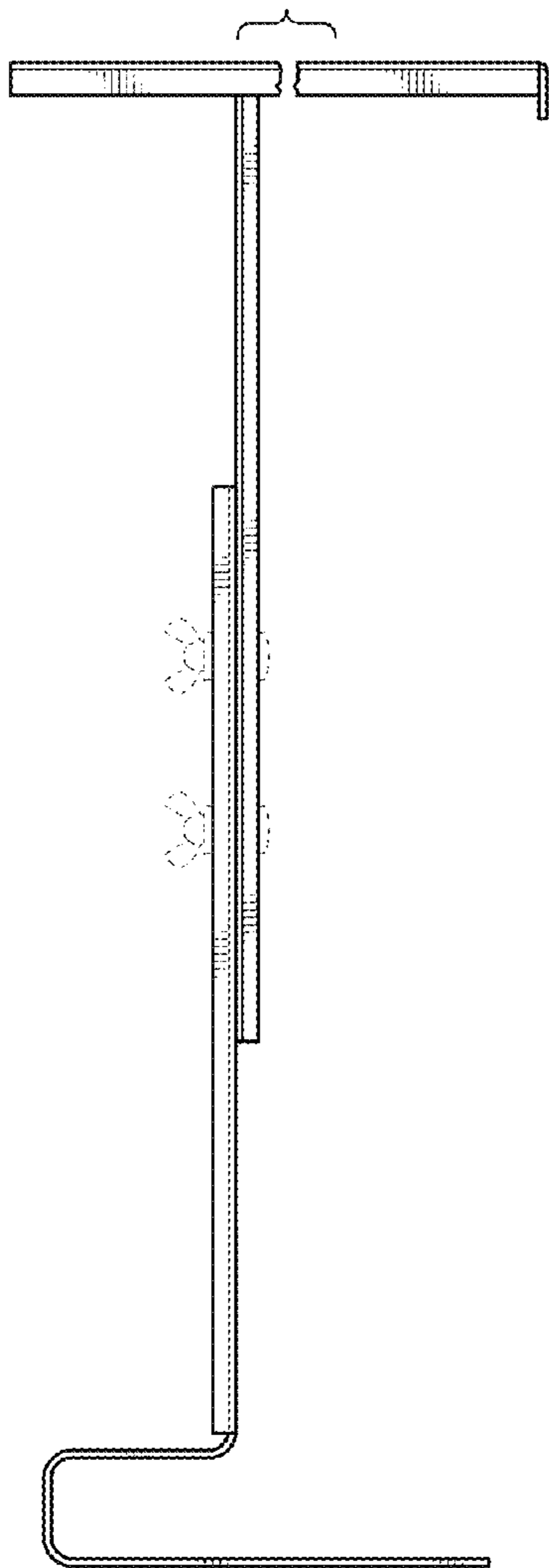


FIG. 4

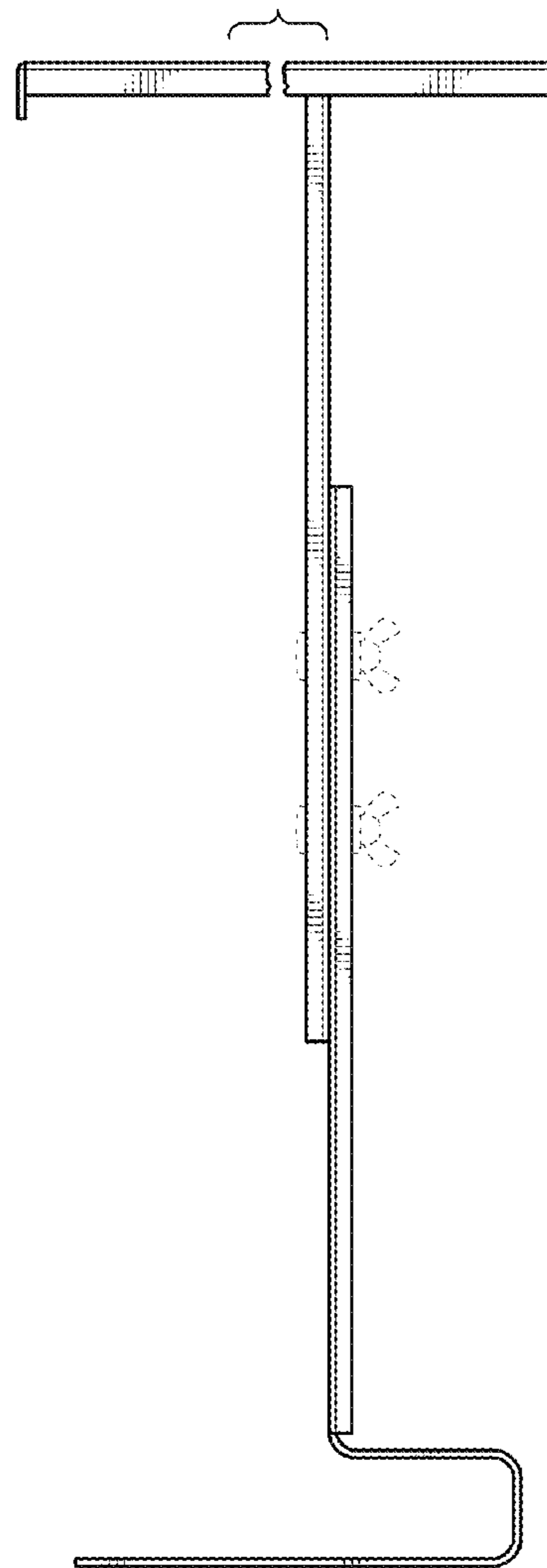


FIG. 5

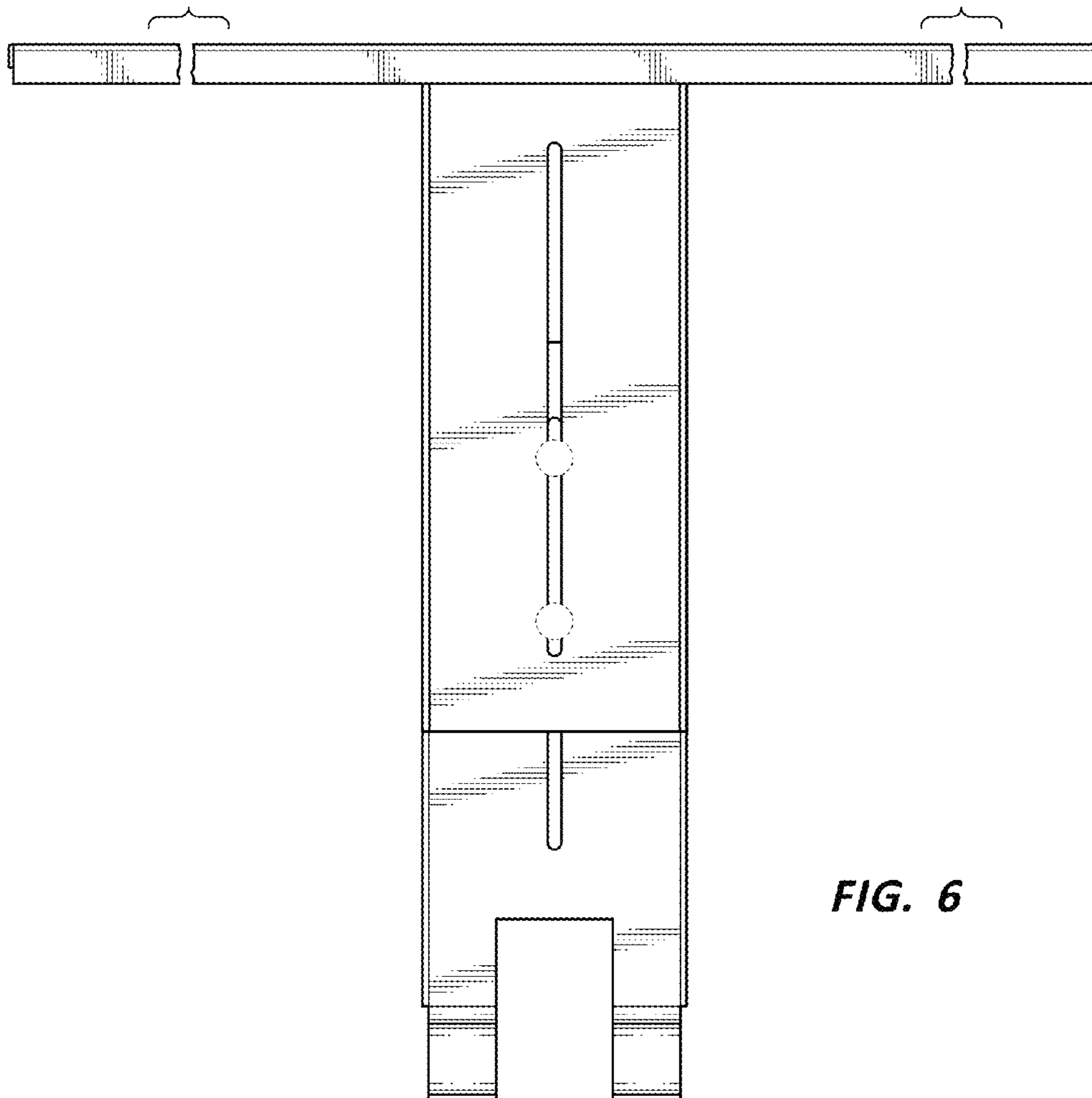


FIG. 6

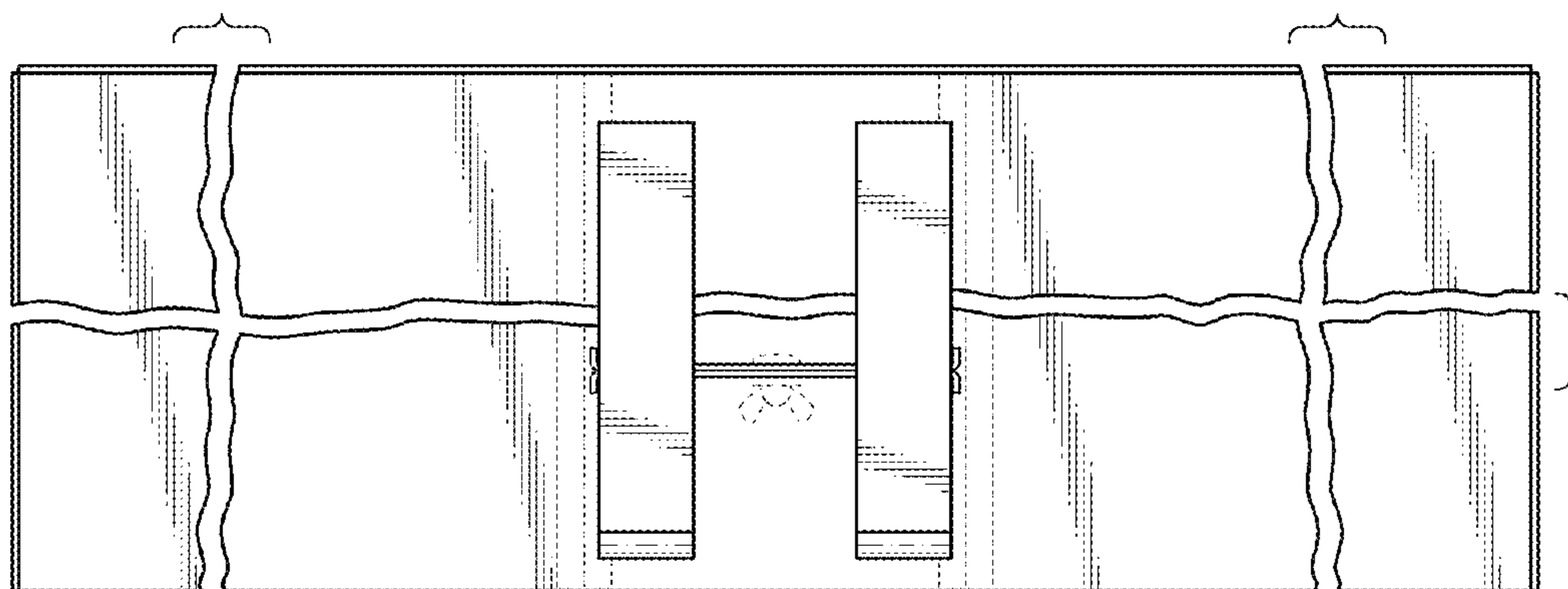


FIG. 7

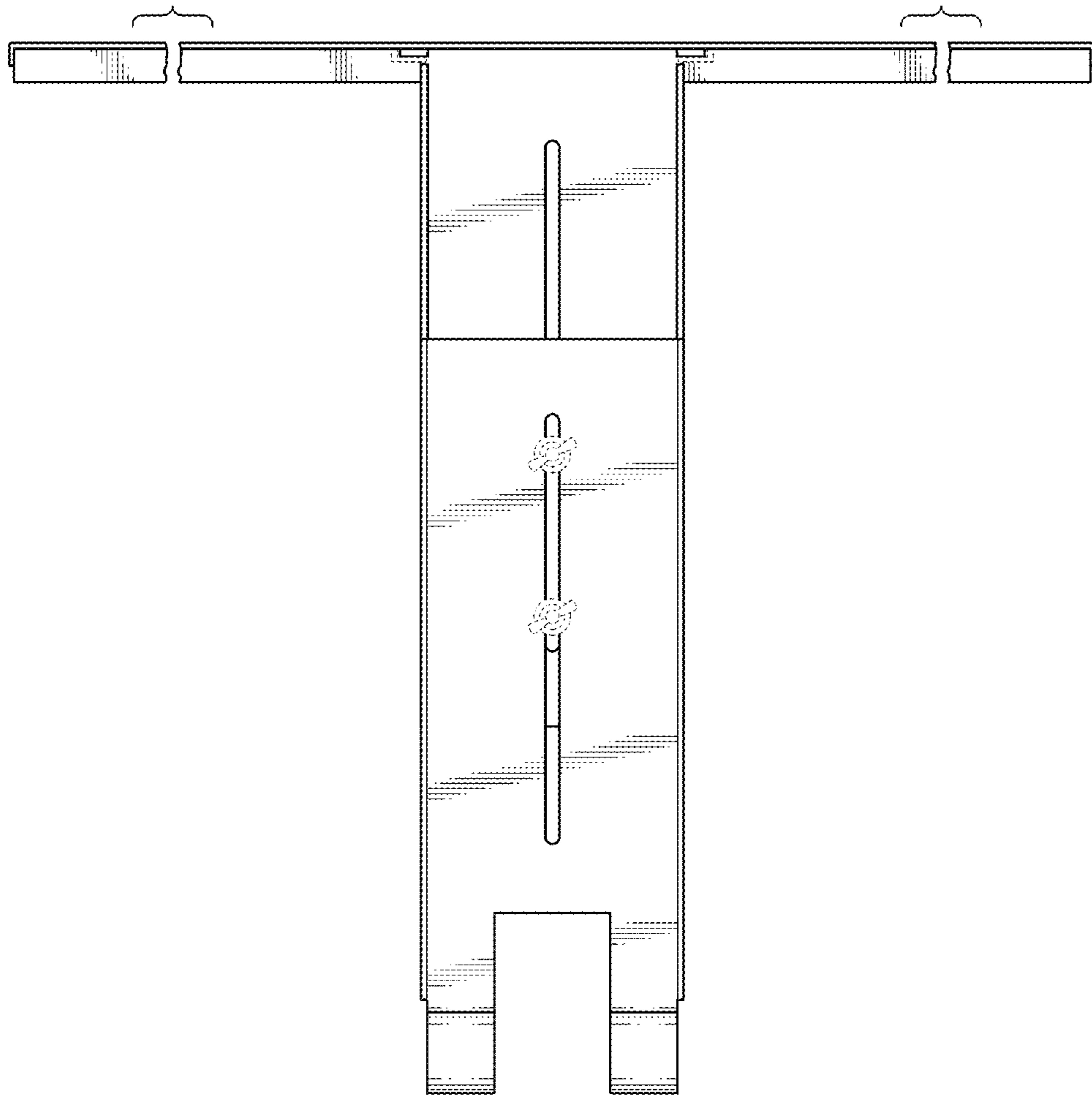


FIG. 8