

US00D733157S

(12) **United States Design Patent**
Kim et al.

(10) **Patent No.:** **US D733,157 S**
(45) **Date of Patent:** **** Jun. 30, 2015**

(54) **STAND FOR TABLET PC**
(71) Applicant: **Samsung Electronics Co., Ltd.**,
Suwon-si, Gyeonggi-do (KR)
(72) Inventors: **Chungha Kim**, Seoul (KR); **Inshik Kim**,
Seongnam-si (KR)
(73) Assignee: **SAMSUNG ELECTRONICS CO., LTD.** (KR)
(**) Term: **14 Years**
(21) Appl. No.: **29/508,555**
(22) Filed: **Nov. 7, 2014**
(30) **Foreign Application Priority Data**

May 9, 2014 (KR) 30-2014-0023114

(51) **LOC (10) Cl.** **08-07**

(52) **U.S. Cl.**
USPC **D14/447**

(58) **Field of Classification Search**
USPC D14/447, 451, 452, 439, 440, 432, 457,
D14/460, 461, 217, 239, 251, 253;
D6/406.3, 406.4, 406.5, 406.6;
248/460, 917-924, 150, 176.1, 177.1,
248/181.1, 188.7; 361/679.02, 679.06,
361/679.07, 679.09, 679.21, 679.22,
361/679.26, 679.27, 679.3, 679.55, 679.56;
D8/363, 373, 380
CPC F16M 2200/00; F16M 13/00; A45C
2011/003; A45C 2011/002; A47B 2023/049;
A47B 2097/005; A47B 2097/006; A47B 21/04
See application file for complete search history.

(56) **References Cited**

U.S. PATENT DOCUMENTS

D607,844 S * 1/2010 Feldstein et al. D13/168
D614,613 S * 4/2010 Kim et al. D14/253
7,766,288 B2 * 8/2010 Kim et al. 248/176.1

D672,782 S * 12/2012 Gross D14/447
D677,670 S * 3/2013 Vizcarra et al. D14/447
D678,296 S * 3/2013 Lakraa et al. D14/447
D682,281 S * 5/2013 Barnard et al. D14/447
D690,306 S * 9/2013 Malisse et al. D14/447
D692,900 S * 11/2013 Kovacs D14/447
D704,713 S * 5/2014 Liniger D14/447
D709,066 S * 7/2014 Byun D14/253
D709,896 S * 7/2014 McKinstry et al. D14/447
8,800,942 B2 * 8/2014 Yu 248/122.1
D715,132 S * 10/2014 McSweyn et al. D8/363
2007/0022583 A1 * 2/2007 Carnevali 24/523
2011/0255219 A1 * 10/2011 Ou 361/679.01
2012/0131826 A1 * 5/2012 Dai 40/597

* cited by examiner

Primary Examiner — Angela J Lee

(74) *Attorney, Agent, or Firm* — Cantor Colburn LLP

(57) **CLAIM**

The ornamental design for a stand for tablet PC, as shown and described.

DESCRIPTION

FIG. 1 is a perspective view of a stand for tablet PC, showing our new design;
FIG. 2 is a front view thereof;
FIG. 3 is a rear view thereof;
FIG. 4 is a left-side view thereof;
FIG. 5 is a right-side view thereof;
FIG. 6 is a top view thereof;
FIG. 7 is a bottom view thereof;
FIG. 8 is another perspective view thereof in which a tablet PC is combined with the stand; and,
FIG. 9 is another front view thereof in which a tablet PC is combined with the stand.
The broken lines showing of the tablet PC in FIGS. 8-9 illustrate environment and the remainder of the broken lines in the figures represent unclaimed portions of the stand for tablet PC; the broken lines form no part of the claimed design.

1 Claim, 9 Drawing Sheets

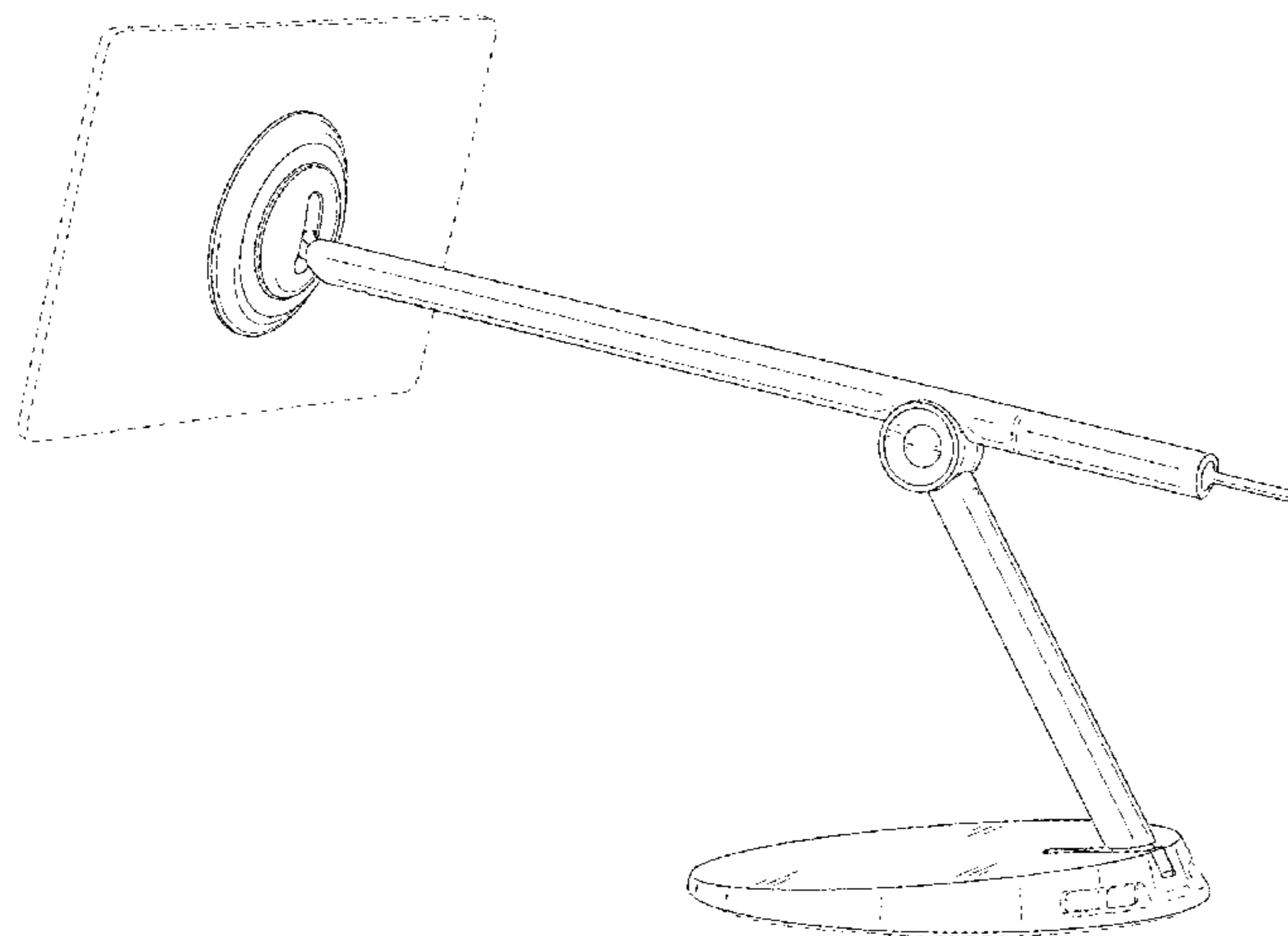


FIG. 1

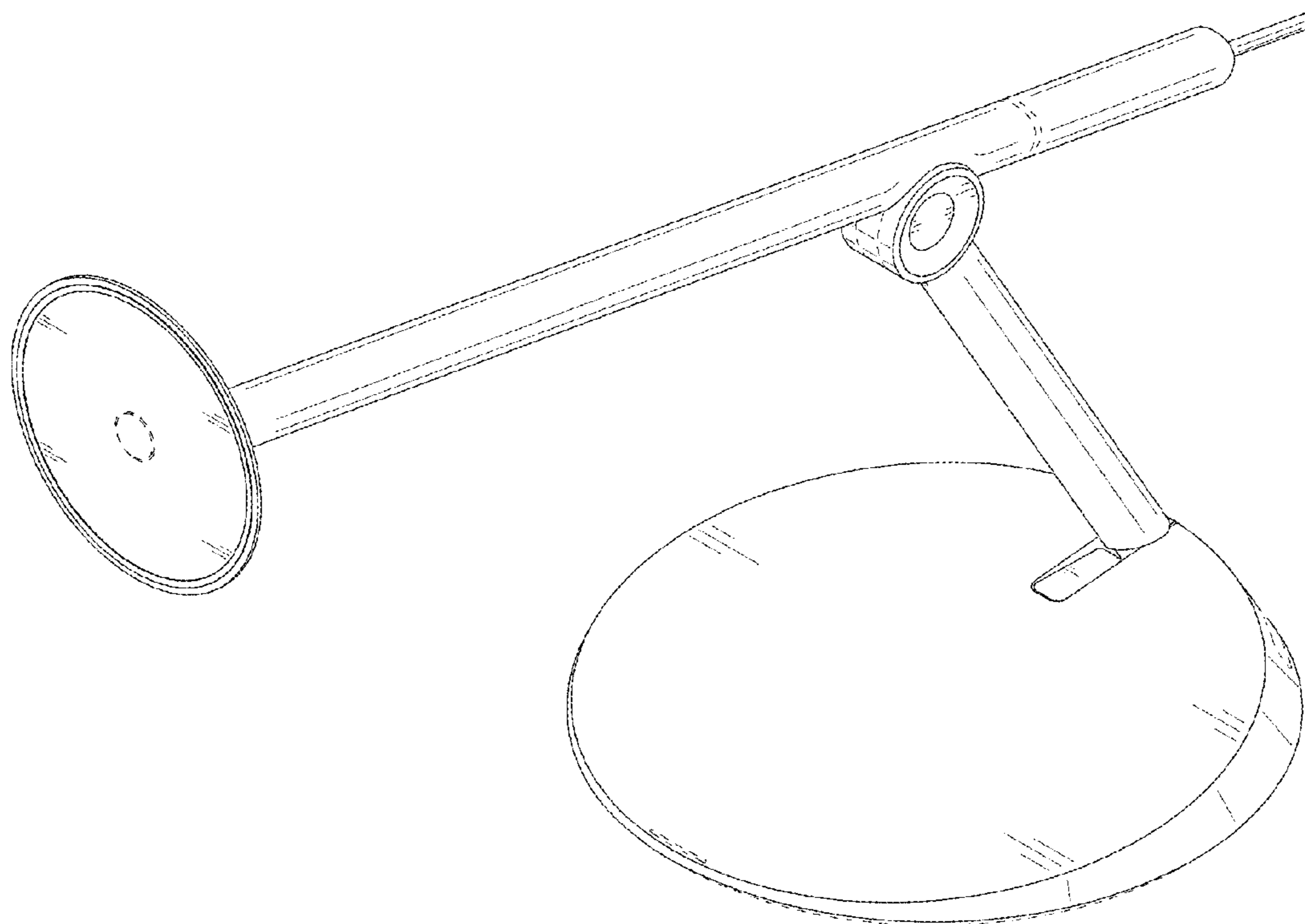


FIG. 2

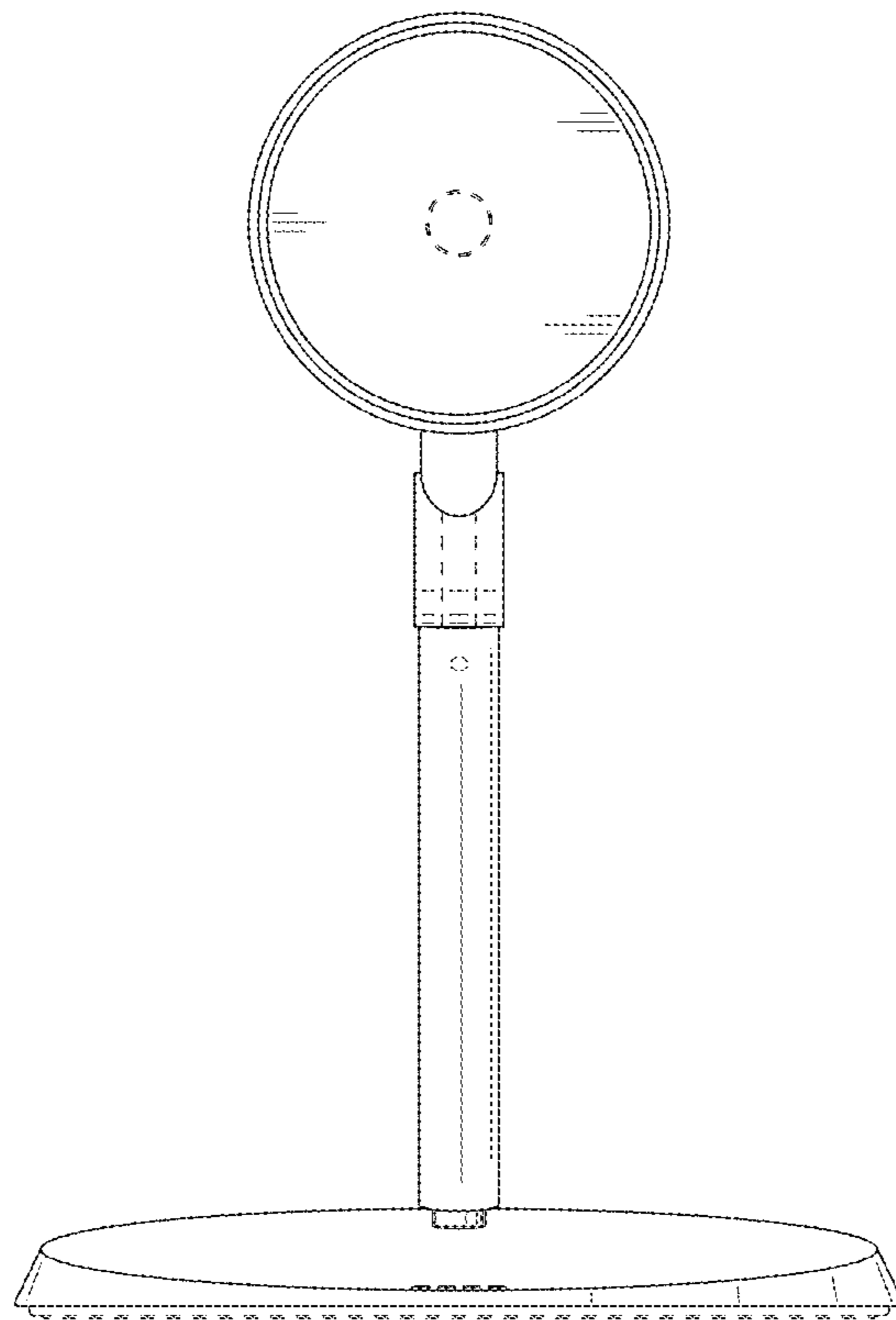


FIG. 3

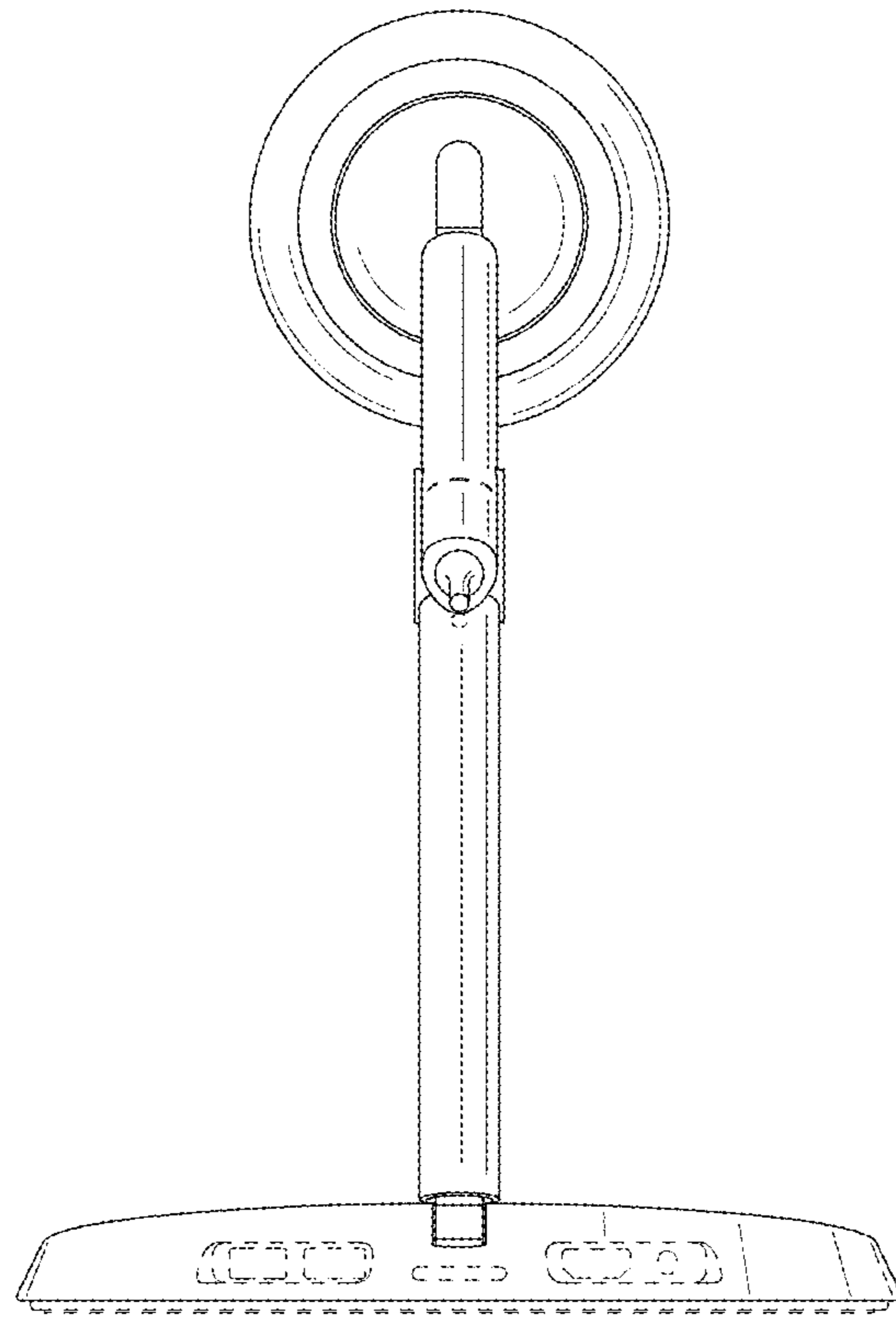


FIG. 4

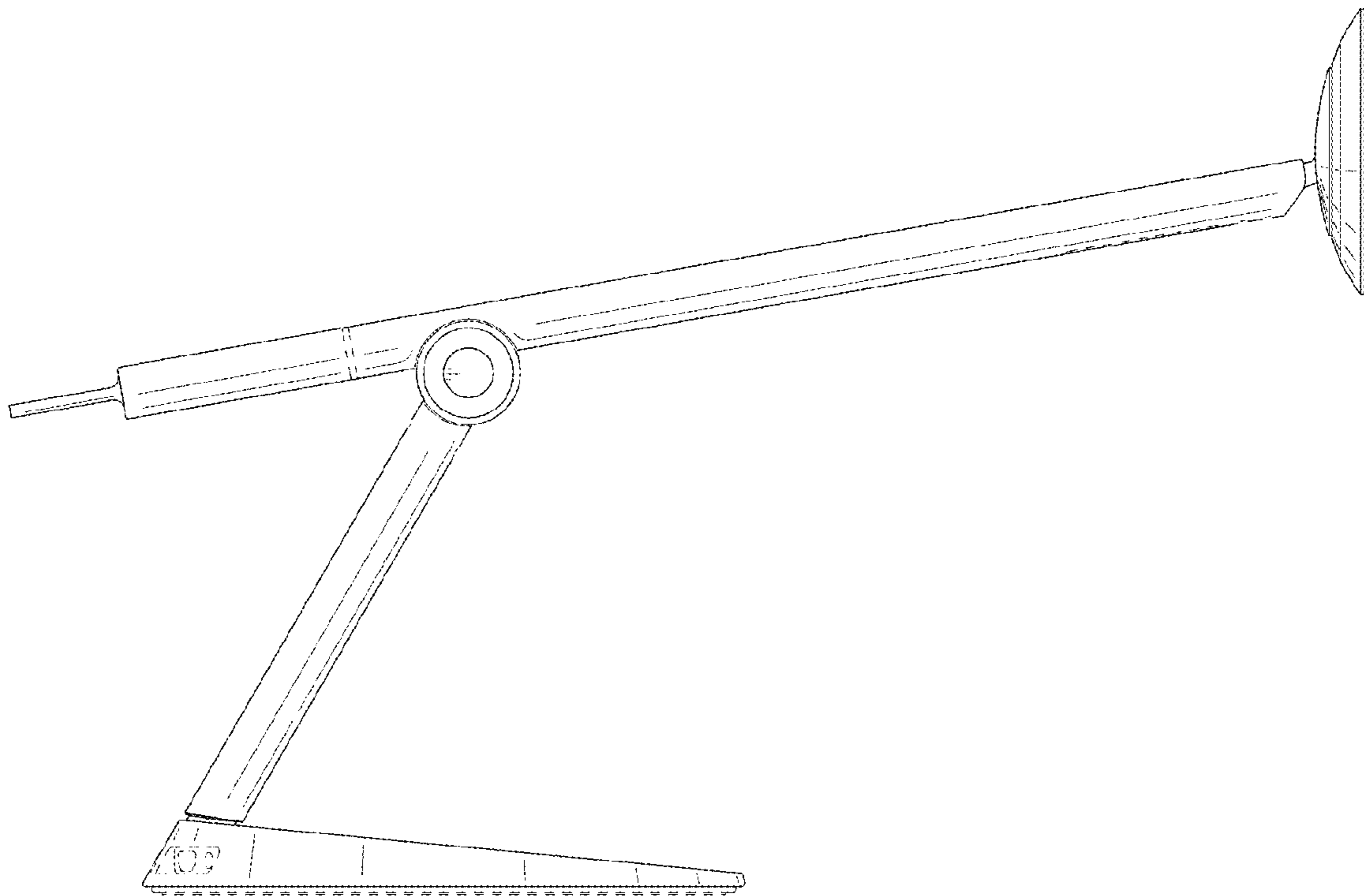


FIG. 5

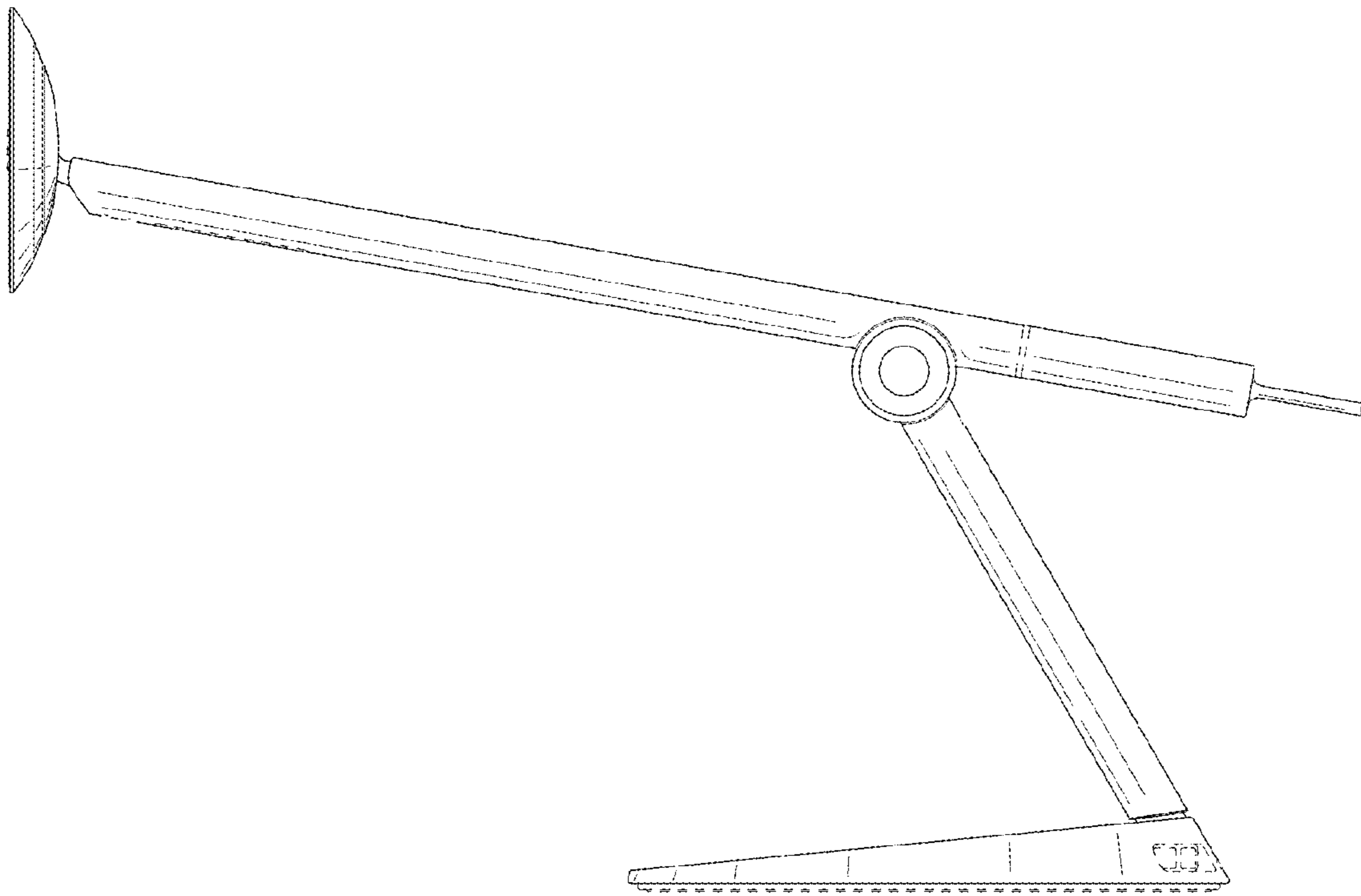


FIG. 6

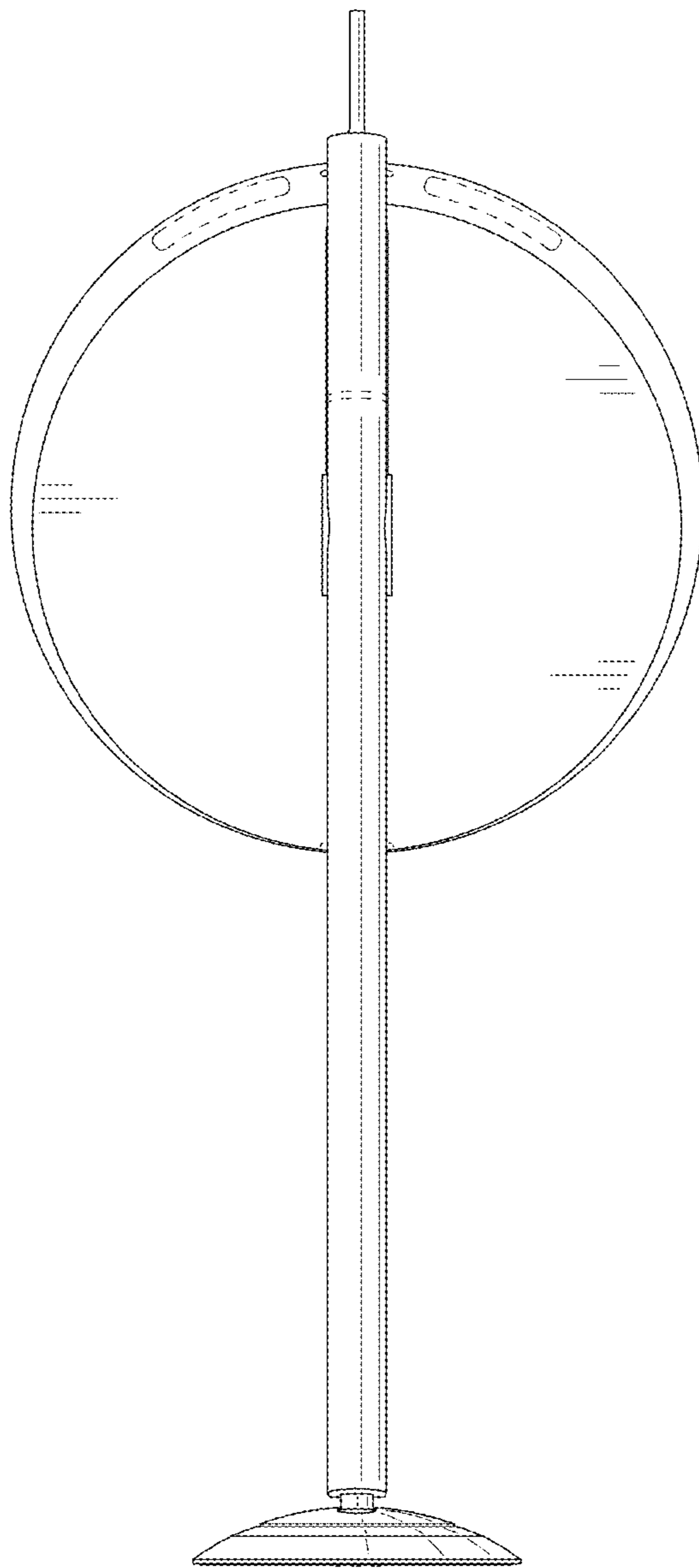


FIG. 7

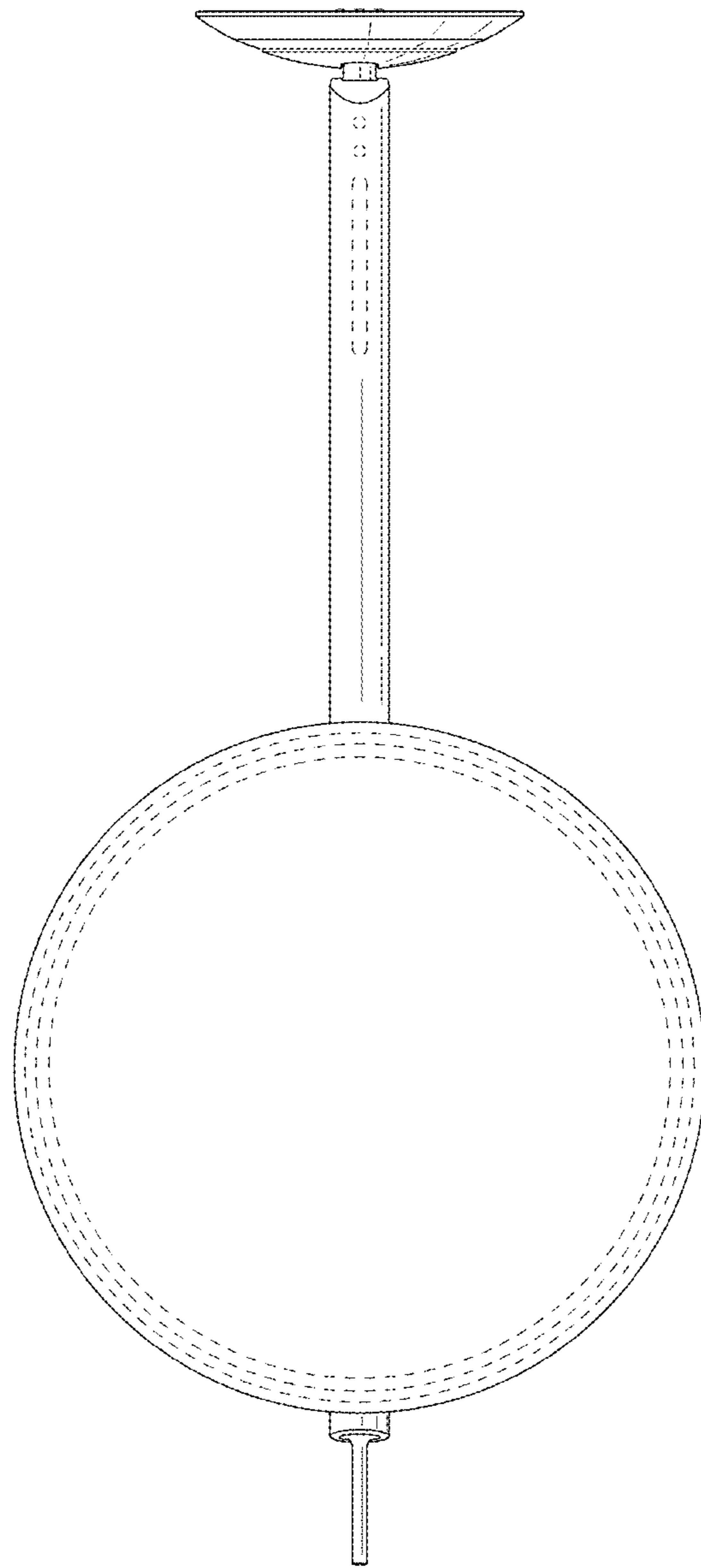


FIG. 8

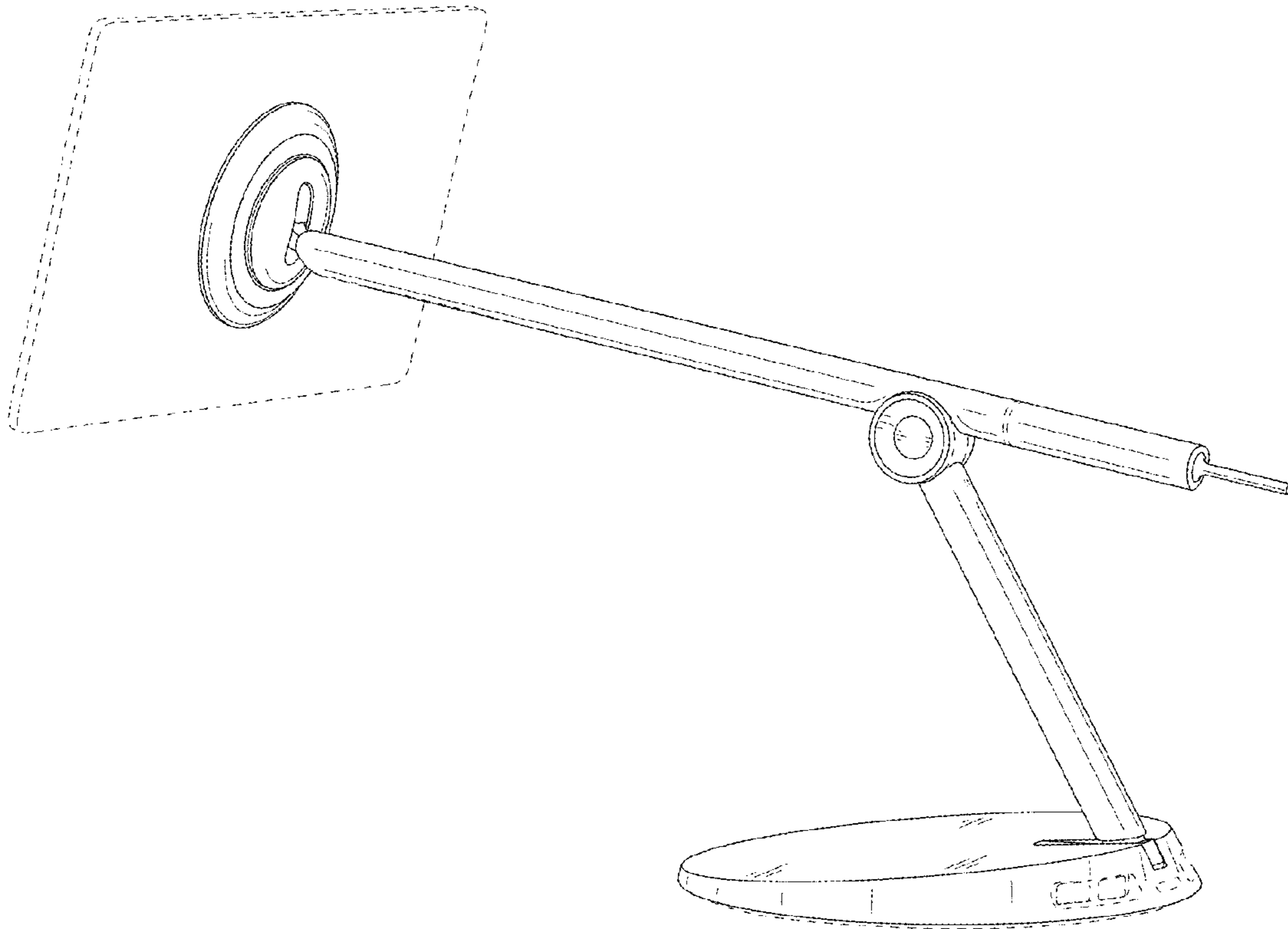


FIG. 9

