



US00D733156S

(12) **United States Design Patent**
Choi et al.

(10) **Patent No.:** **US D733,156 S**
(45) **Date of Patent:** **** Jun. 30, 2015**

(54) **STAND FOR TABLET PC**

(71) Applicant: **Samsung Electronics Co., Ltd.**,
Suwon-si (KR)

(72) Inventors: **Eunha Choi**, Seoul (KR); **Inshik Kim**,
Seongnam-si (KR)

(73) Assignee: **Samsung Electronics Co., Ltd.**,
Suwon-si (KR)

(**) Term: **14 Years**

(21) Appl. No.: **29/508,517**

(22) Filed: **Nov. 7, 2014**

(30) **Foreign Application Priority Data**

May 9, 2014 (KR) 30-2014-0023113

(51) **LOC (10) Cl.** **08-07**

(52) **U.S. Cl.**
USPC **D14/447**

(58) **Field of Classification Search**
USPC D14/447, 451, 452, 439, 440, 432, 457,
D14/460, 461, 217, 239, 251, 253;
D6/406.3, 406.4, 406.5, 406.6;
248/460, 917-924, 150, 176.1, 177.1,
248/181.1, 188.7; 361/679.02, 679.06,
361/679.07, 679.09, 679.21, 679.22,
361/679.26, 679.27, 679.3, 679.55, 679.56;
D8/363, 373, 380
CPC F16M 2200/00; F16M 13/00; A45C
2011/003; A45C 2011/002; A47B 2023/049;
A47B 2097/005; A47B 2097/006; A47B 21/04
See application file for complete search history.

(56) **References Cited**

U.S. PATENT DOCUMENTS

D552,454 S * 10/2007 Fynn D8/363
D628,578 S * 12/2010 Chou et al. D14/451

D657,783 S * 4/2012 Mo D14/251
D682,281 S * 5/2013 Barnard et al. D14/447
D690,306 S * 9/2013 Malisse et al. D14/447
D692,900 S * 11/2013 Kovacs D14/447
D695,732 S * 12/2013 Baumann et al. D14/253
D704,713 S * 5/2014 Liniger D14/447
D709,066 S * 7/2014 Byun D14/253
8,800,942 B2 * 8/2014 Yu 248/122.1
D715,132 S * 10/2014 McSweyn et al. D8/363
2011/0255219 A1 * 10/2011 Ou 361/679.01
2014/0203154 A1 * 7/2014 Fan 248/205.5

* cited by examiner

Primary Examiner — Angela J Lee

(74) *Attorney, Agent, or Firm* — NSIP Law

(57) **CLAIM**

We claim the ornamental design for a stand for tablet PC, as shown and described.

DESCRIPTION

FIG. 1 is a front perspective view of a stand for tablet PC showing our new design;
FIG. 2 is a front view thereof;
FIG. 3 is a rear view thereof;
FIG. 4 is a left-side view thereof;
FIG. 5 is a right-side view thereof;
FIG. 6 is a top view thereof;
FIG. 7 is a bottom view thereof;
FIG. 8 is a rear perspective view thereof in which a tablet PC in broken lines is provided to illustrate an example environment; and,
FIG. 9 is another front view thereof in which a tablet PC in broken lines is provided to illustrate an example environment. The broken lines showing of portions of the stand for tablet PC form no part of the claimed design. The broken lines showing of a tablet PC in FIGS. 8 and 9 are included for the purpose of illustrating environment structure and form no part of the claimed design.

1 Claim, 9 Drawing Sheets

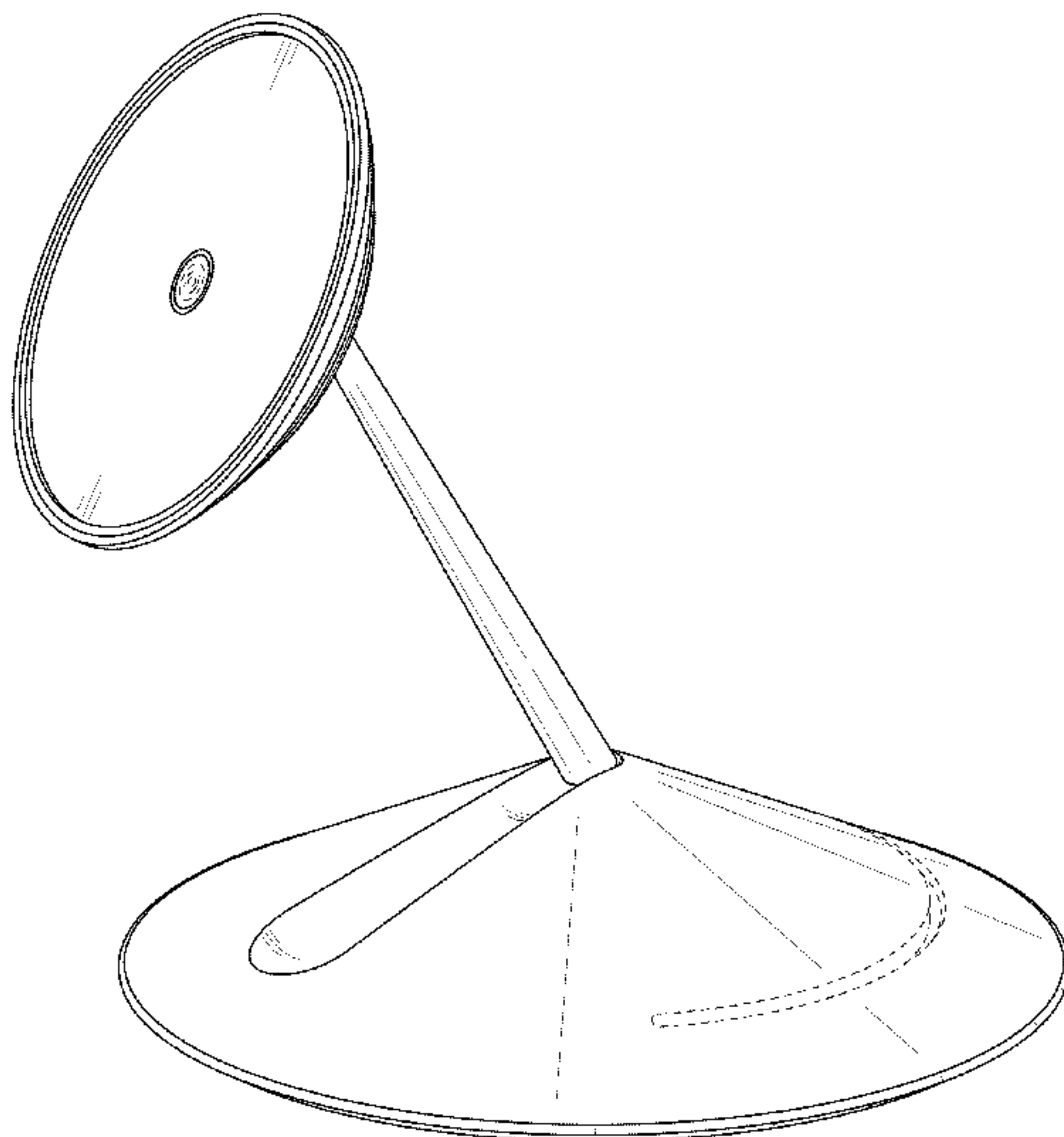


FIG. 1

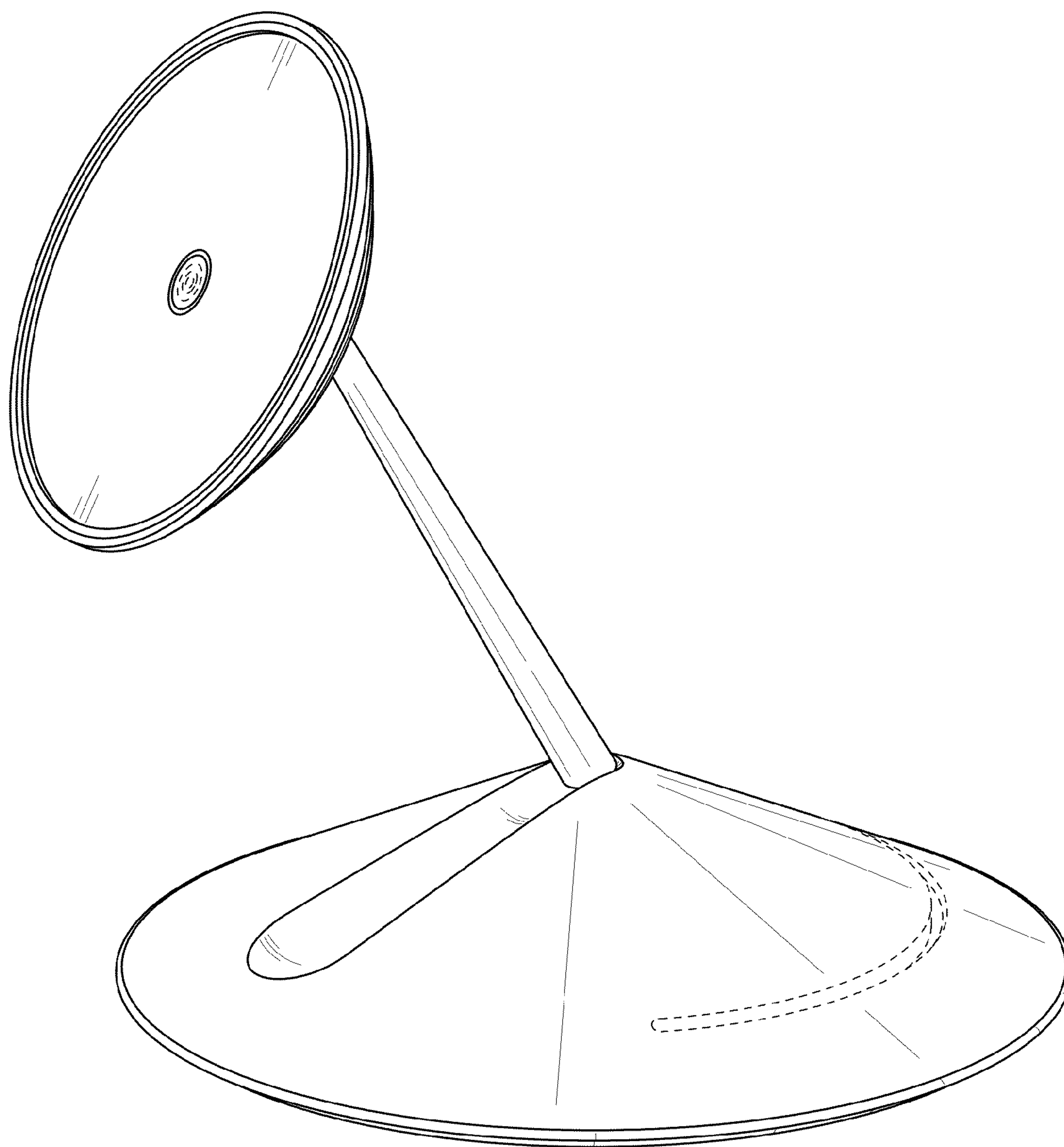


FIG. 2

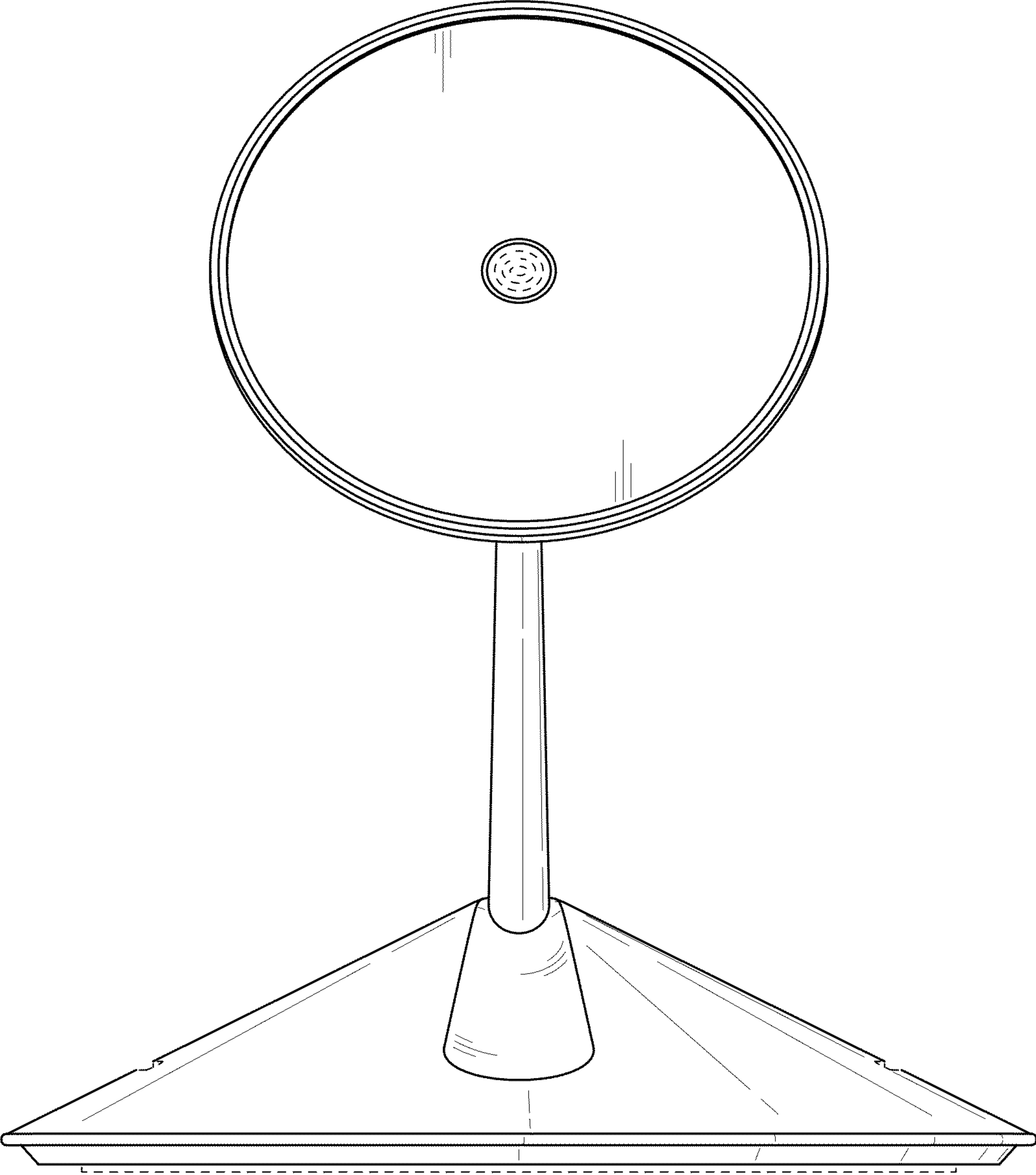


FIG. 3

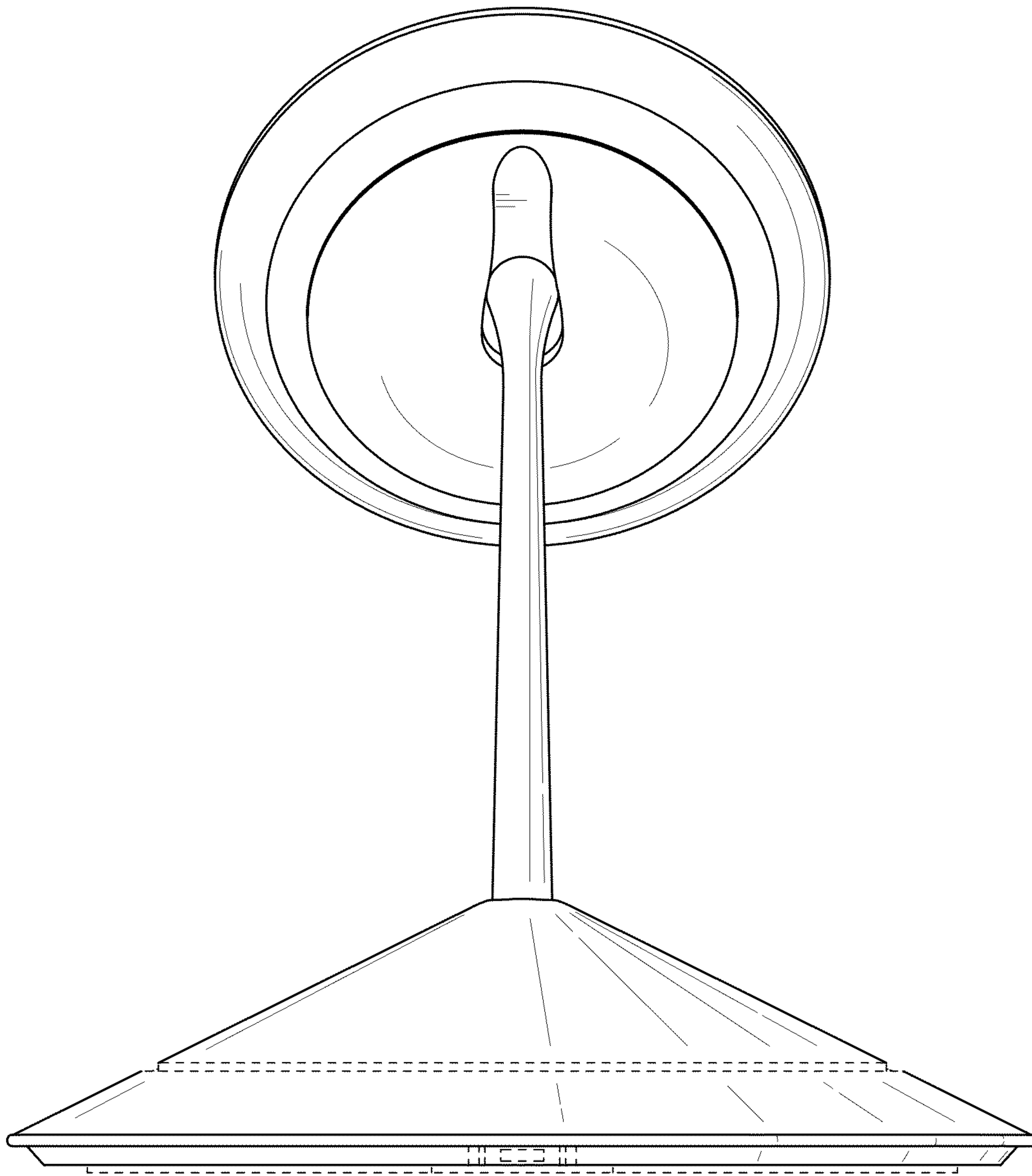


FIG. 4

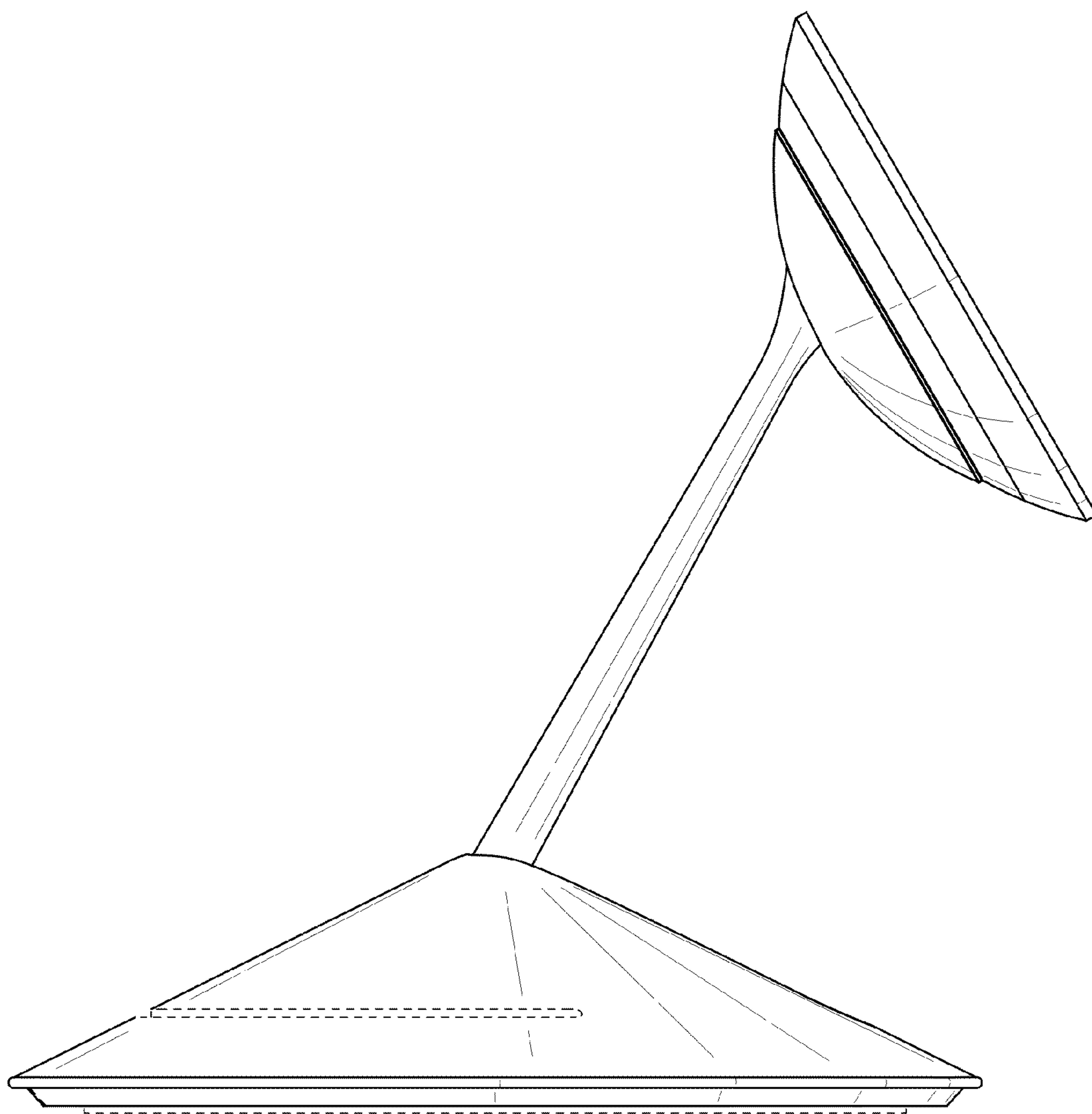


FIG. 5

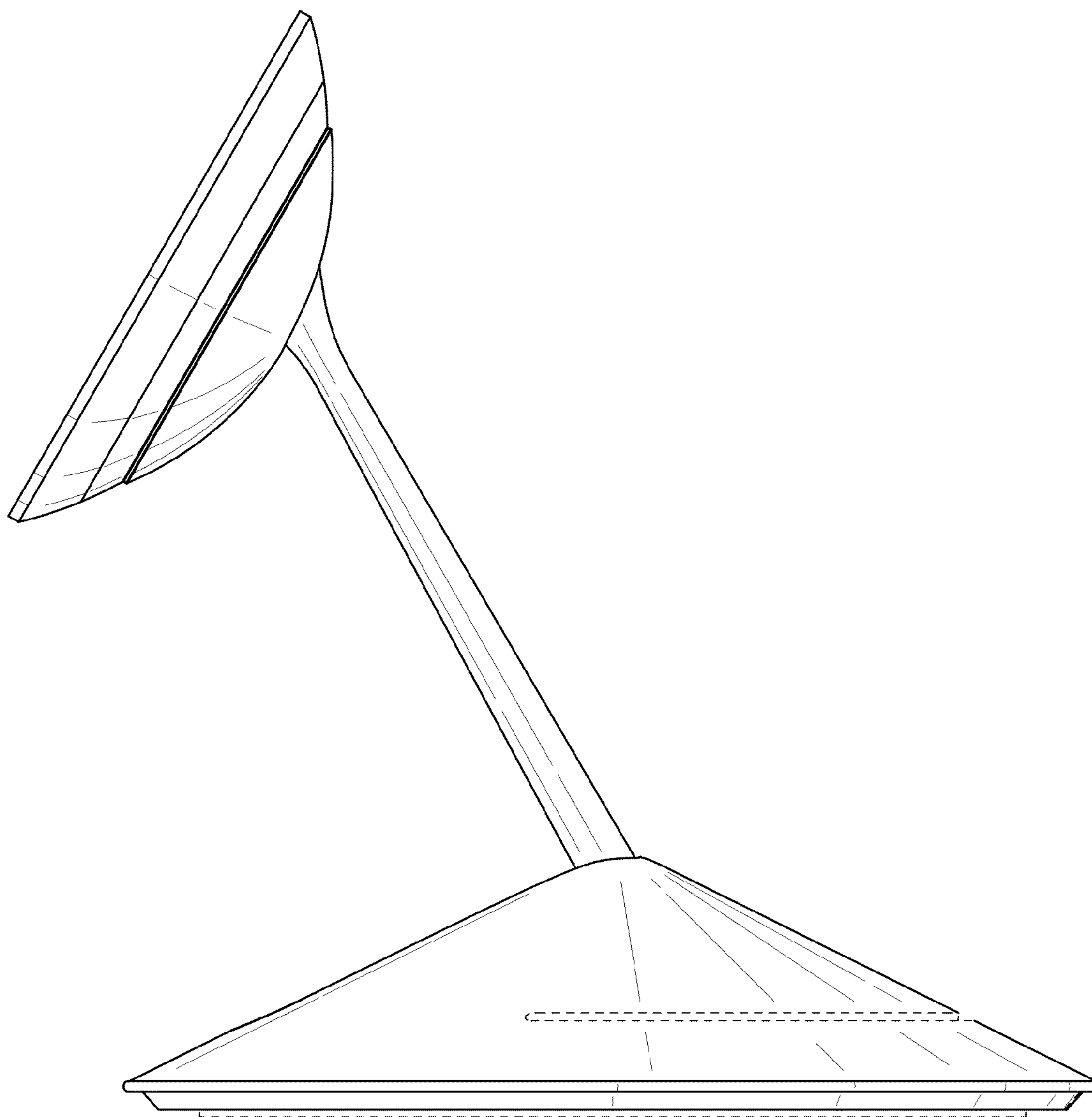


FIG. 6

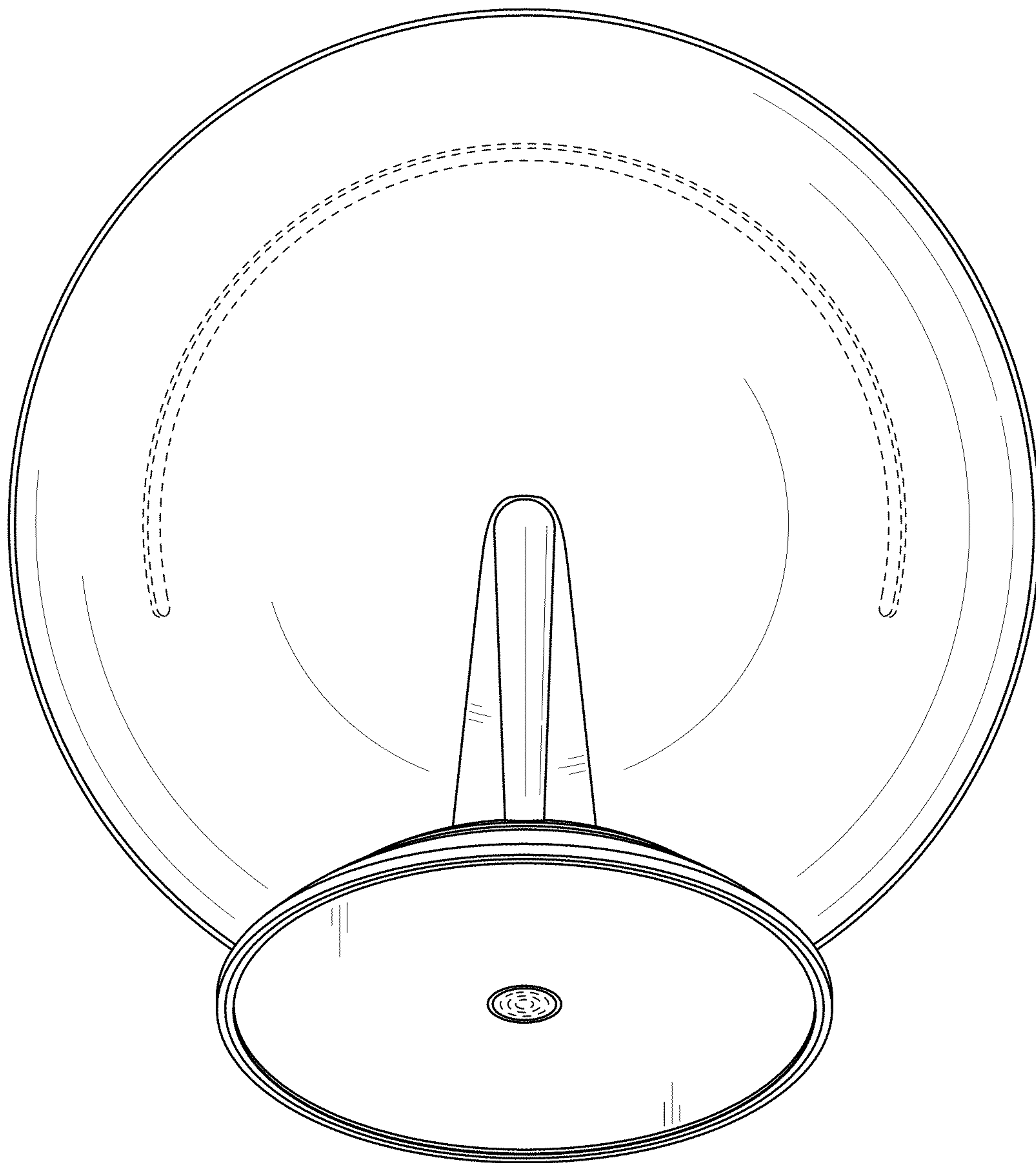


FIG. 7

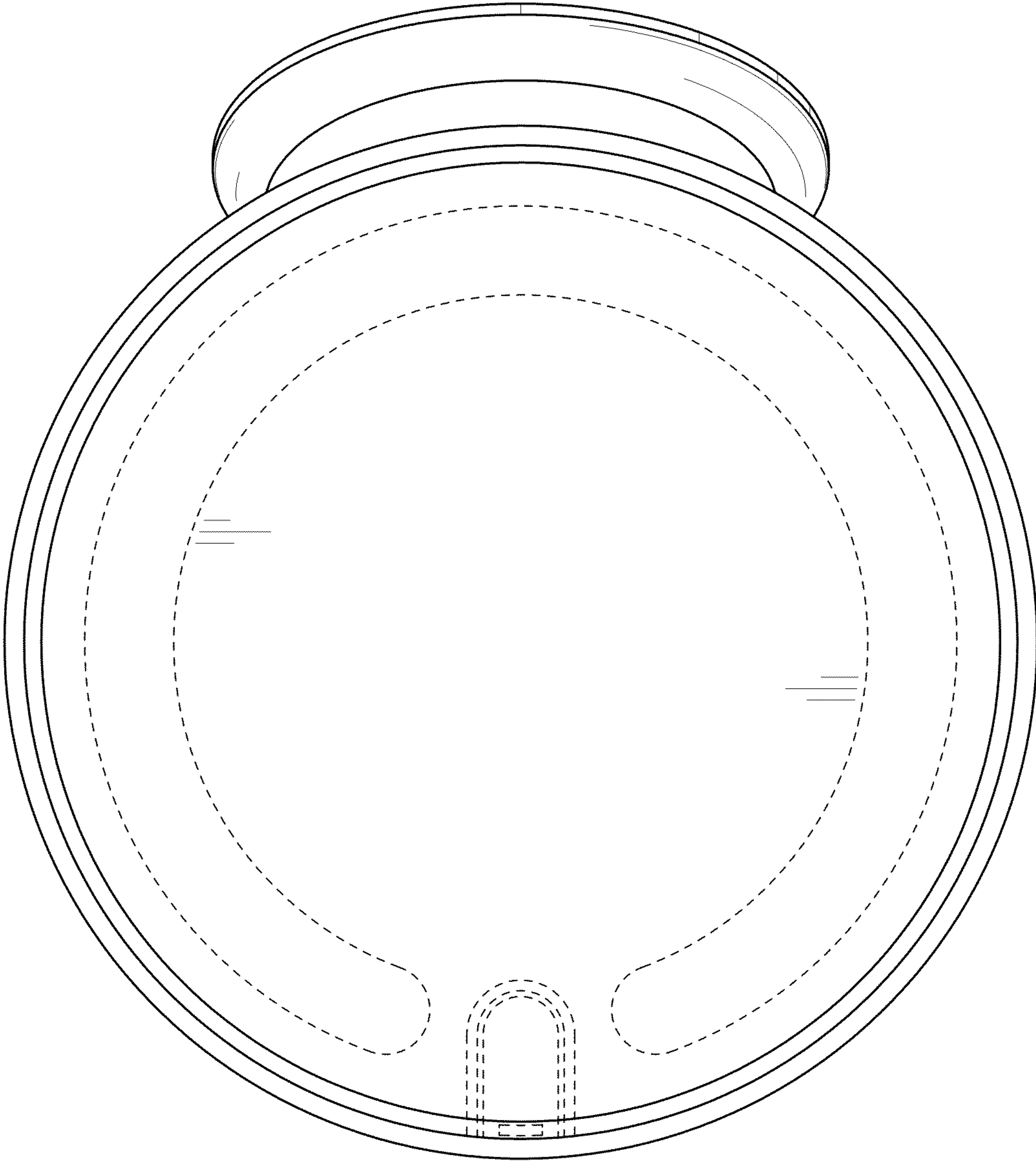


FIG. 8

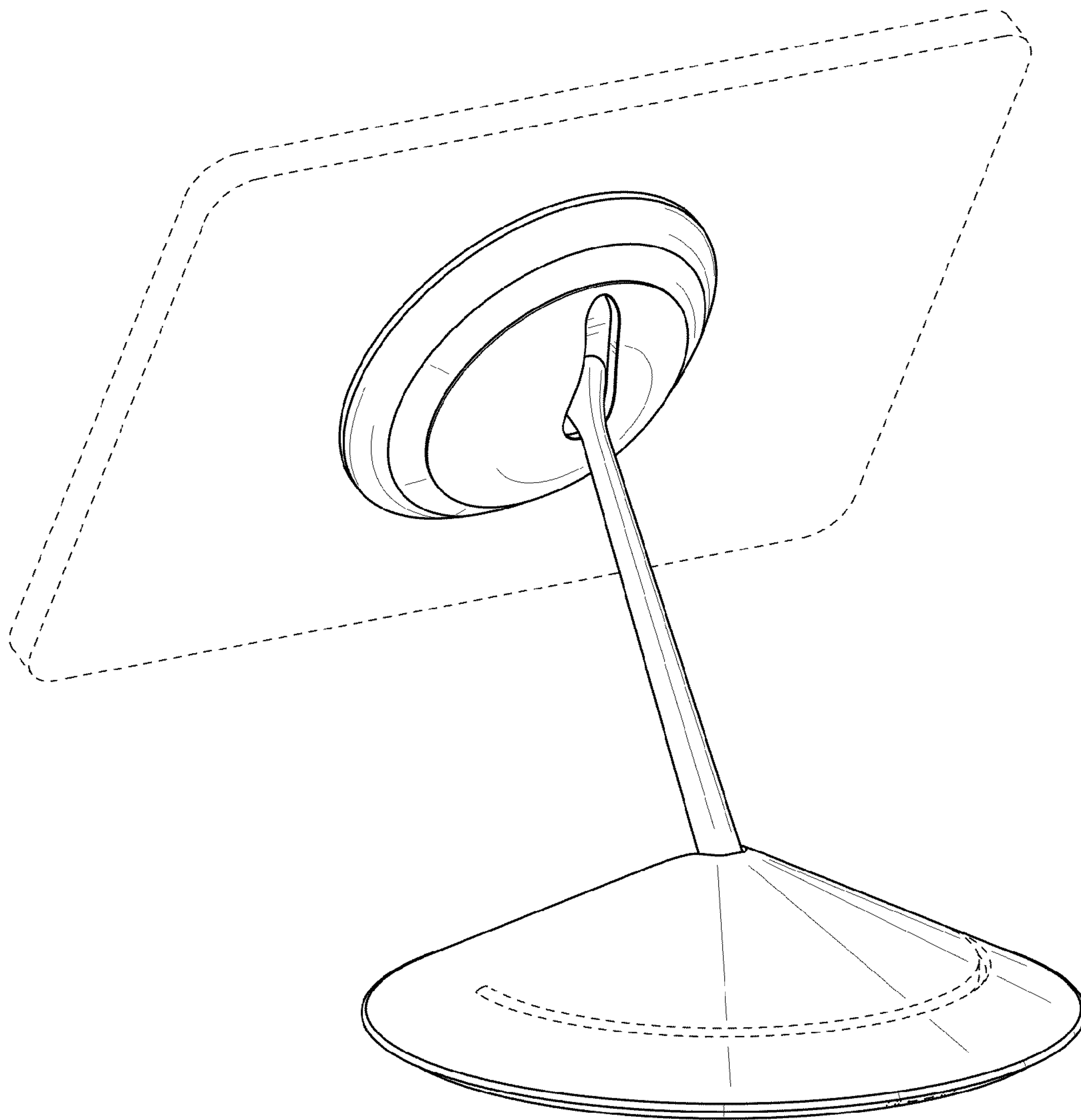


FIG. 9

