



US00D733155S

(12) **United States Design Patent**
van Hooft et al.

(10) **Patent No.:** **US D733,155 S**
(45) **Date of Patent:** **** Jun. 30, 2015**

(54) **LAPTOP STAND**

(71) Applicant: **BakkerElkhuizen Innovations B.V.**,
Almere (NL)

(72) Inventors: **Jan Thomas Lambertus van Hooft**,
Almere (NL); **Tristan Margareth**
Raphael Petronella Frencken, Almere
(NL)

(73) Assignee: **BakkerElkhuizen Innovations B.V.**,
Almere (NL)

(**) Term: **14 Years**

(21) Appl. No.: **29/502,516**

(22) Filed: **Sep. 17, 2014**

(51) **LOC (10) Cl.** **14-04**

(52) **U.S. Cl.**
USPC **D14/447**

(58) **Field of Classification Search**
USPC D14/447, 451, 452, 439, 440, 432, 457,
D14/460, 461, 217, 239, 251, 253;
D6/406.3, 406.4, 406.5, 406.6;
248/460, 917-924, 150, 176.1, 177.1,
248/181.1, 188.7; 361/679.02, 679.06,
361/679.07, 679.09, 679.21, 679.22,
361/679.26, 679.27, 679.3, 679.55, 679.56;
D8/363, 373, 380
CPC F16M 2200/00; F16M 13/00; A45C
2011/003; A45C 2011/002; A47B 2023/049;
A47B 2097/005; A47B 2097/006; A47B 21/04
See application file for complete search history.

(56) **References Cited**

U.S. PATENT DOCUMENTS

D413,872 S * 9/1999 Jessen D14/447
D414,166 S * 9/1999 De Paris D14/447
D443,999 S * 6/2001 Cable D6/406.4

6,305,038 B1 10/2001 Elkhuizen et al.
D480,088 S 9/2003 Bakker et al.
6,913,238 B2 7/2005 Bakker et al.
D533,558 S 12/2006 Elkhuizen et al.
D571,815 S * 6/2008 Chung D14/447
D576,168 S * 9/2008 Ostroff D14/447
D578,539 S 10/2008 Bouwknecht et al.
D578,540 S 10/2008 Bouwknecht et al.
7,515,408 B2 4/2009 Bakker et al.

(Continued)

Primary Examiner — Angela J Lee

(74) *Attorney, Agent, or Firm* — Leydig, Voit & Mayer, Ltd.

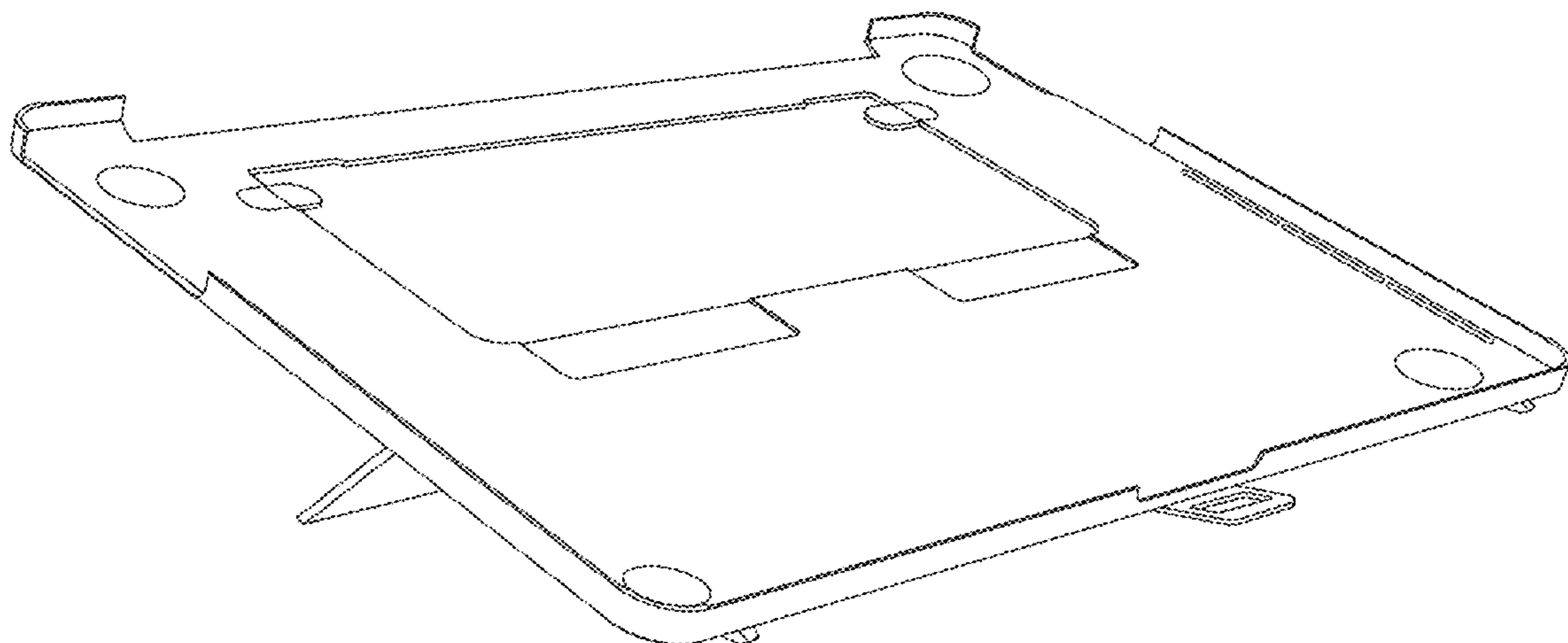
(57) **CLAIM**

We claim the ornamental design for a laptop stand, as shown and described.

DESCRIPTION

FIG. 1 is a top perspective view of a laptop stand according to the present invention.
FIG. 2 is a bottom perspective view of the laptop stand of FIG. 1, from a front end thereof.
FIG. 3 is a bottom perspective view of the laptop stand of FIG. 1, from the front end thereof and illustrating the laptop stand in a collapsed position.
FIG. 4 is a bottom perspective view of the laptop stand of FIG. 1, from a rear end thereof.
FIG. 5 is a top plan view of the laptop stand of FIG. 1, illustrating the laptop stand in the collapsed position.
FIG. 6 is a bottom plan view of the laptop stand of FIG. 1, illustrating the laptop stand in the collapsed position.
FIG. 7 is a front elevational view of the laptop stand of FIG. 1, illustrating the laptop stand in the collapsed position.
FIG. 8 is a left side elevational view of the laptop stand of FIG. 1, illustrating the laptop stand in the collapsed position. The right side elevational view is a mirror image of the left side; and,
FIG. 9 is a rear elevational view of the laptop stand of FIG. 1, illustrating the laptop stand in the collapsed position.

1 Claim, 9 Drawing Sheets



(56)

References Cited

U.S. PATENT DOCUMENTS

| | | | | | | | | | |
|--------------|---------|------------|-------|---------|-------------------|---------|---------------|-------|---------|
| D620,942 S * | 8/2010 | Huang | | D14/447 | 8,800,937 B1 * | 8/2014 | Lee et al. | | 248/65 |
| D624,922 S * | 10/2010 | Hui et al. | | D14/447 | 2003/0111582 A1 | 6/2003 | Bakker et al. | | |
| D678,298 S * | 3/2013 | Burridge | | D14/447 | 2004/0007649 A1 * | 1/2004 | Vettrano | | 248/127 |
| D678,886 S * | 3/2013 | Heckler | | D14/447 | 2005/0207112 A1 | 9/2005 | Bakker et al. | | |
| D705,785 S * | 5/2014 | Wang | | D14/447 | 2005/0268673 A1 | 12/2005 | Bakker et al. | | |
| | | | | | 2006/0266086 A1 | 11/2006 | Bakker et al. | | |
| | | | | | 2008/0037213 A1 * | 2/2008 | Haren | | 361/687 |

* cited by examiner

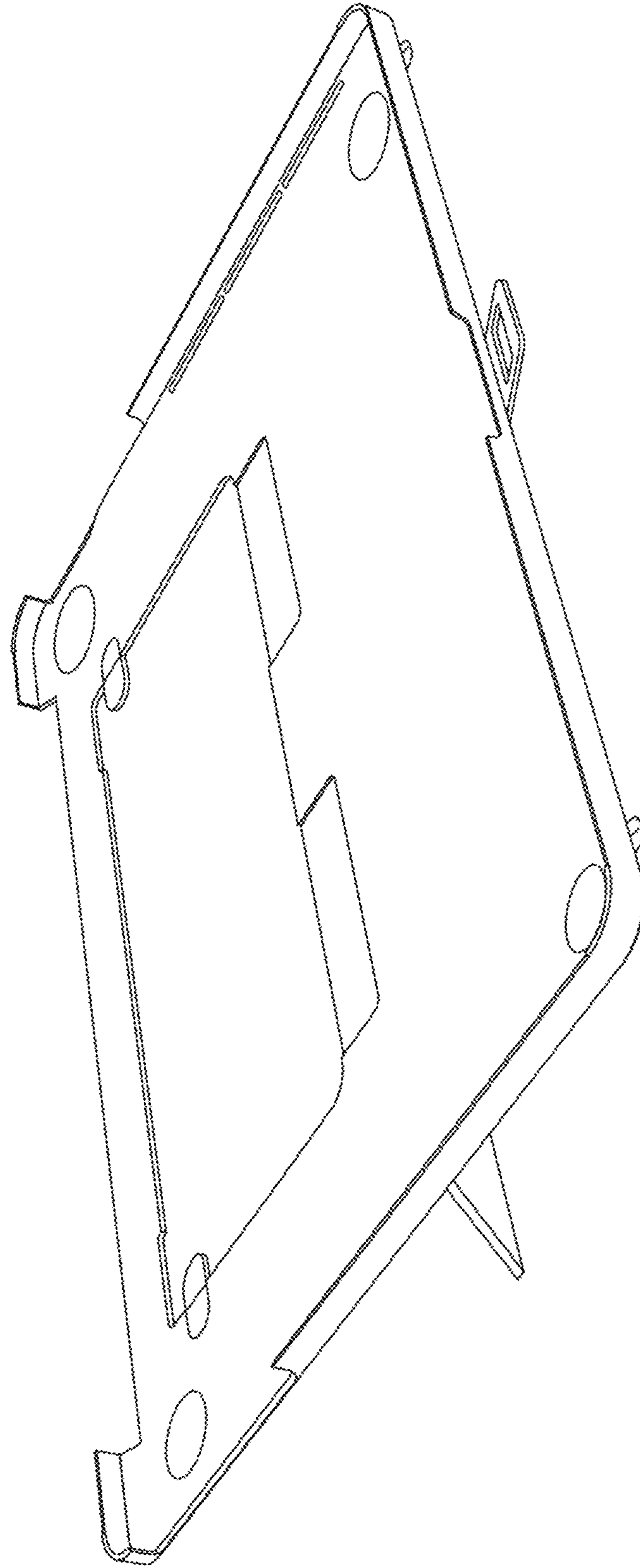


FIG. 1

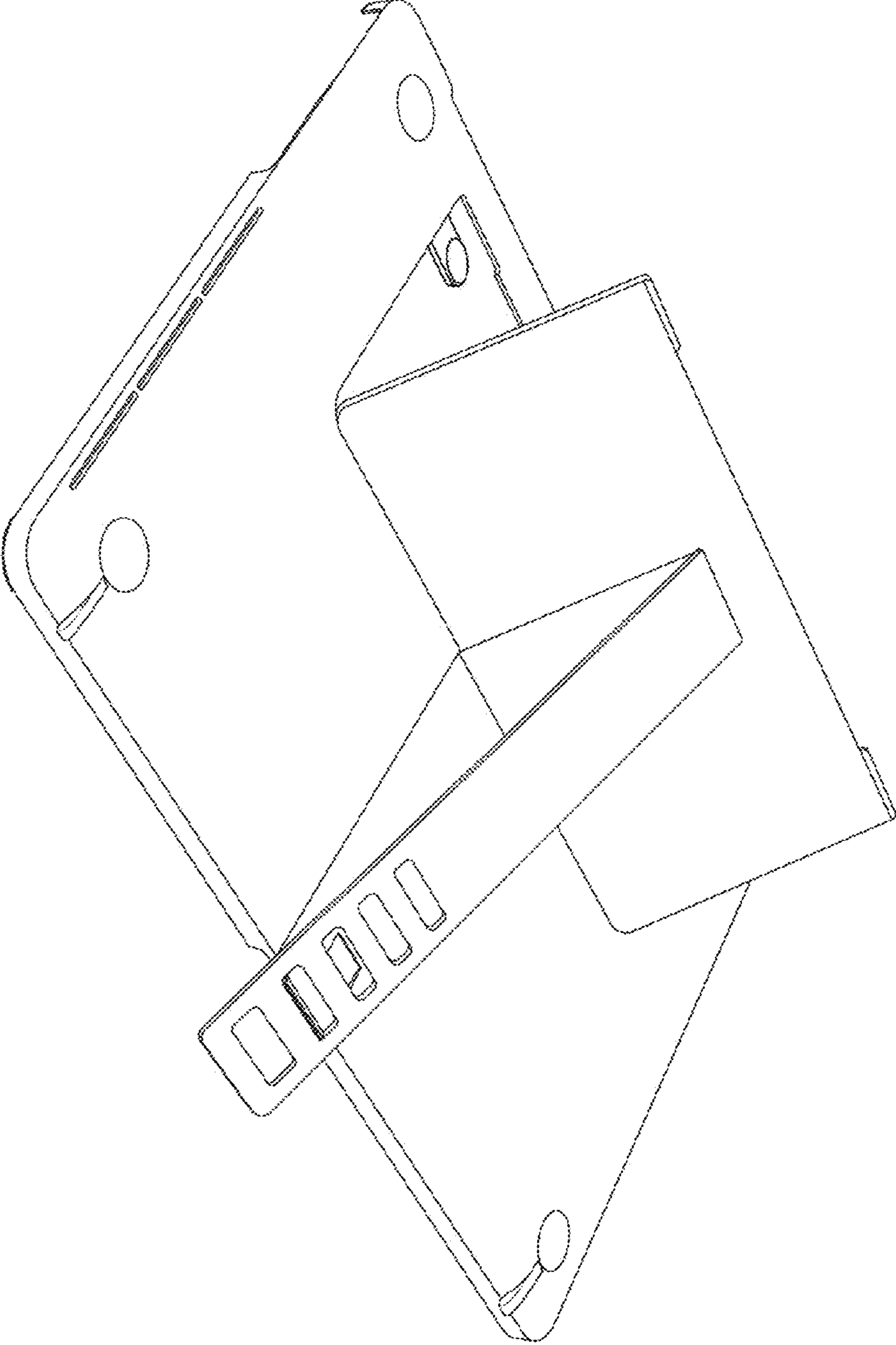


FIG. 2

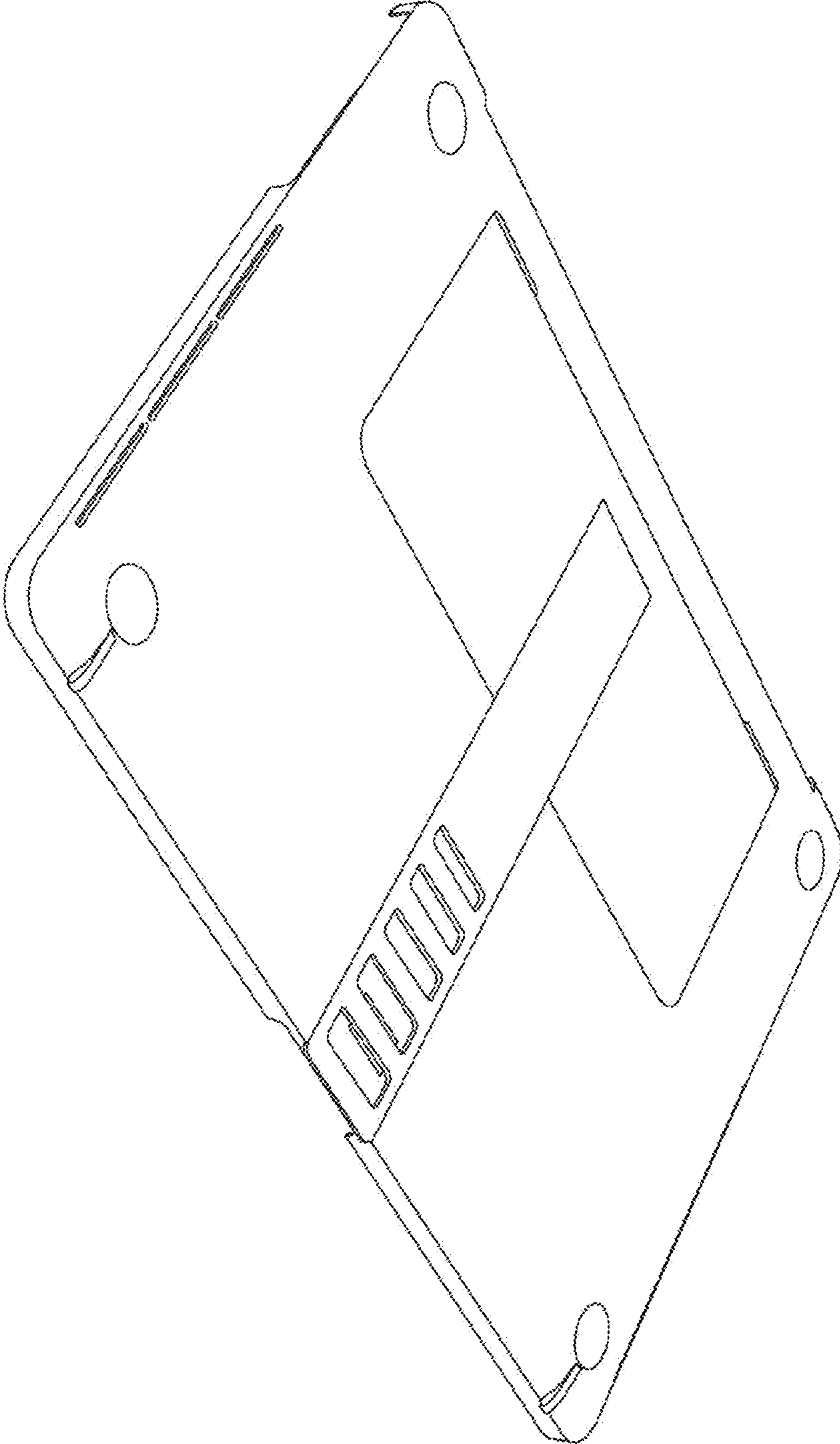


FIG. 3

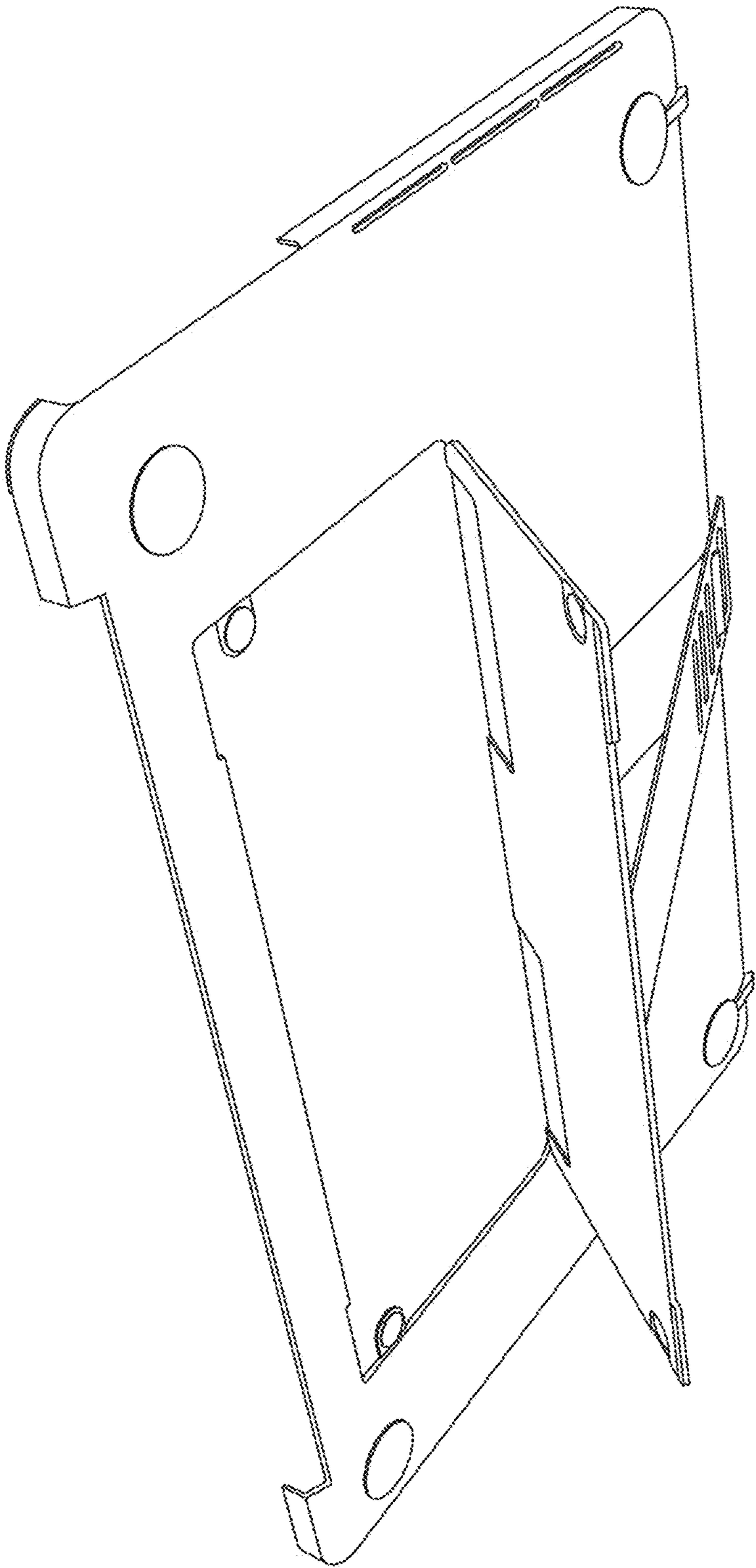


FIG. 4

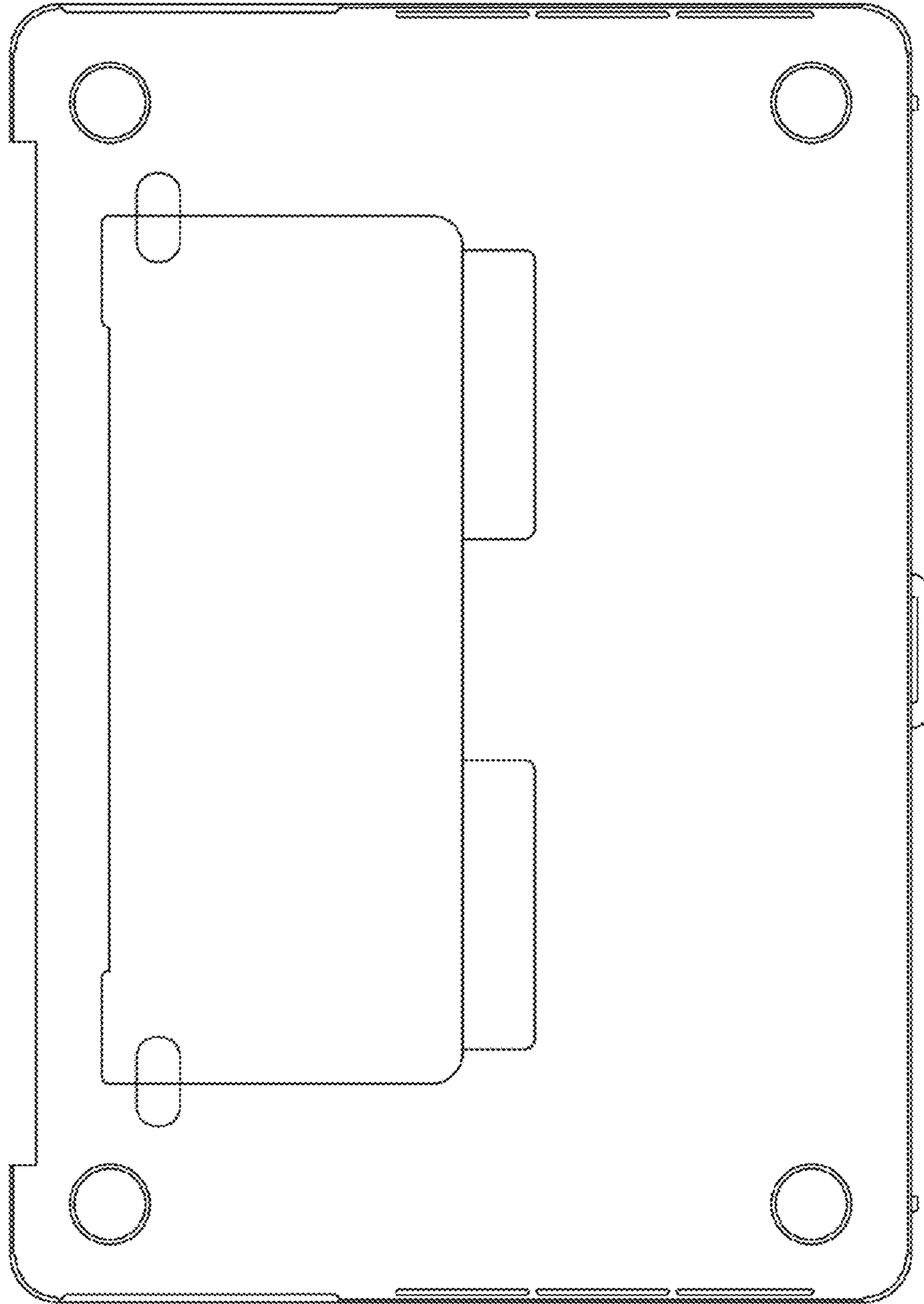


FIG. 5

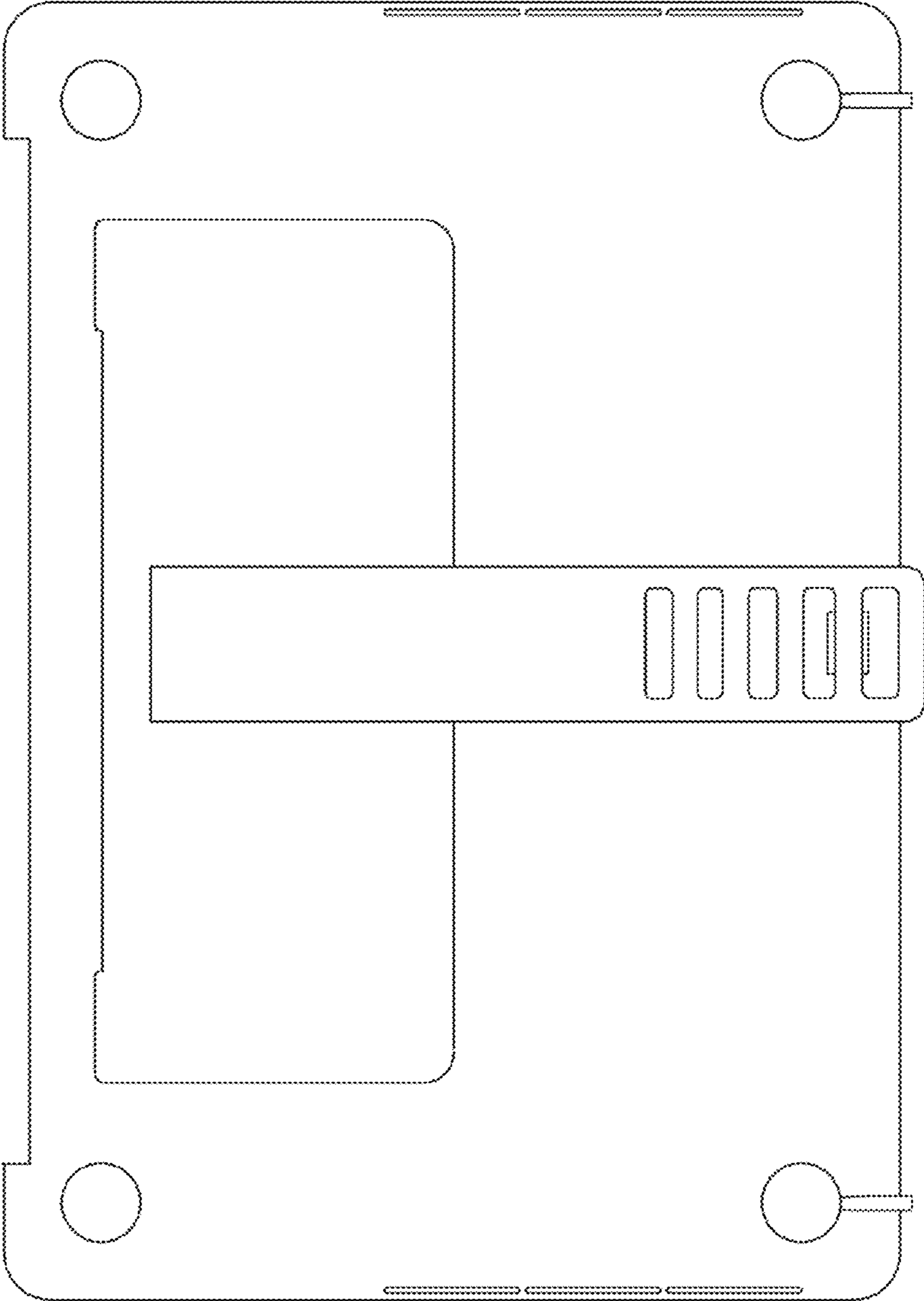


FIG. 6

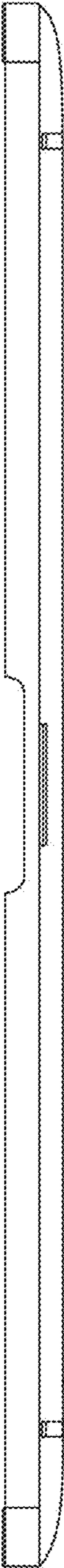


FIG. 7



FIG. 8

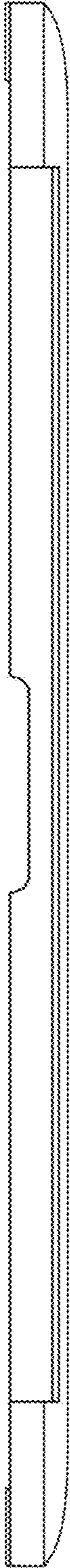


FIG. 9