



US00D733153S

(12) **United States Design Patent**
Longo et al.

(10) **Patent No.:** **US D733,153 S**
(45) **Date of Patent:** **** Jun. 30, 2015**

(54) **INPUT DEVICE FOR AN ELECTRONIC
TABLET**

(71) Applicant: **Microsoft Corporation**, Redmond, WA
(US)

(72) Inventors: **Thomas Longo**, Redmond, WA (US);
Christopher Kujawski, Redmond, WA
(US); **Ralf Groene**, Kirkland, WA (US);
Jan Raken, Seattle, WA (US); **Young
Soo Kim**, Seattle, WA (US); **James
Iming Tsai**, Redmond, WA (US)

(73) Assignee: **Microsoft Corporation**, Redmond, WA
(US)

(**) Term: **14 Years**

(21) Appl. No.: **29/491,220**

(22) Filed: **May 19, 2014**

(51) **LOC (10) Cl.** **14-02**

(52) **U.S. Cl.**
USPC **D14/440**

(58) **Field of Classification Search**
USPC D14/250, 251, 253, 240, 217, 496, 440,
D14/203.3, 203.4, 203.5, 203.8, 341, 318;
D3/218, 215, 201, 294, 289, 900;
220/4.02; 248/309.1; 361/679.56;
379/426, 433.11, 455; 455/575.1,
455/575.8, 457.1; 190/100; 206/305, 320,
206/45.2; D21/469; 312/240
CPC ... G06F 1/1601; G06F 1/1626; G06F 1/1633;
G06F 1/1675; G06F 1/1679; G02F 1/1306;
G02F 1/33; G02F 1/133308; G02F 1/153;
G02F 1/1533; G02F 2001/133317; H04M
1/185; H04M 1/0252; H04B 1/3888
See application file for complete search history.

(56) **References Cited**

U.S. PATENT DOCUMENTS

D331,191 S * 11/1992 Ventola et al. D9/737
D538,096 S * 3/2007 Bartell et al. D6/616

D538,575 S * 3/2007 Bartell et al. D6/613
D635,564 S * 4/2011 Li D14/315
D658,186 S 4/2012 Akana et al.
D658,187 S 4/2012 Diebel
D658,188 S 4/2012 Diebel
D663,304 S 7/2012 Akana et al.
D671,948 S * 12/2012 Akana et al. D14/440
D678,277 S 3/2013 Groene et al.
D678,300 S 3/2013 Groene et al.
D678,880 S 3/2013 Groene et al.
D678,881 S 3/2013 Groene et al.
D678,882 S 3/2013 Groene et al.
D682,838 S * 5/2013 Akana et al. D14/440
D691,142 S * 10/2013 Diebel D14/440
D692,902 S 11/2013 Groene et al.
D695,745 S * 12/2013 Kim D14/440
D696,262 S 12/2013 Groene et al.
D697,512 S * 1/2014 Akana et al. D14/440
D705,227 S 5/2014 Groene et al.
D706,270 S * 6/2014 Akana et al. D14/440
D720,748 S 1/2015 Groene et al.
2009/0159763 A1 * 6/2009 Kim 248/174
2012/0147541 A1 * 6/2012 Chen et al. 361/679.21

* cited by examiner

Primary Examiner — Cynthia Underwood

(74) *Attorney, Agent, or Firm* — Banner & Witcoff, Ltd.

(57) **CLAIM**

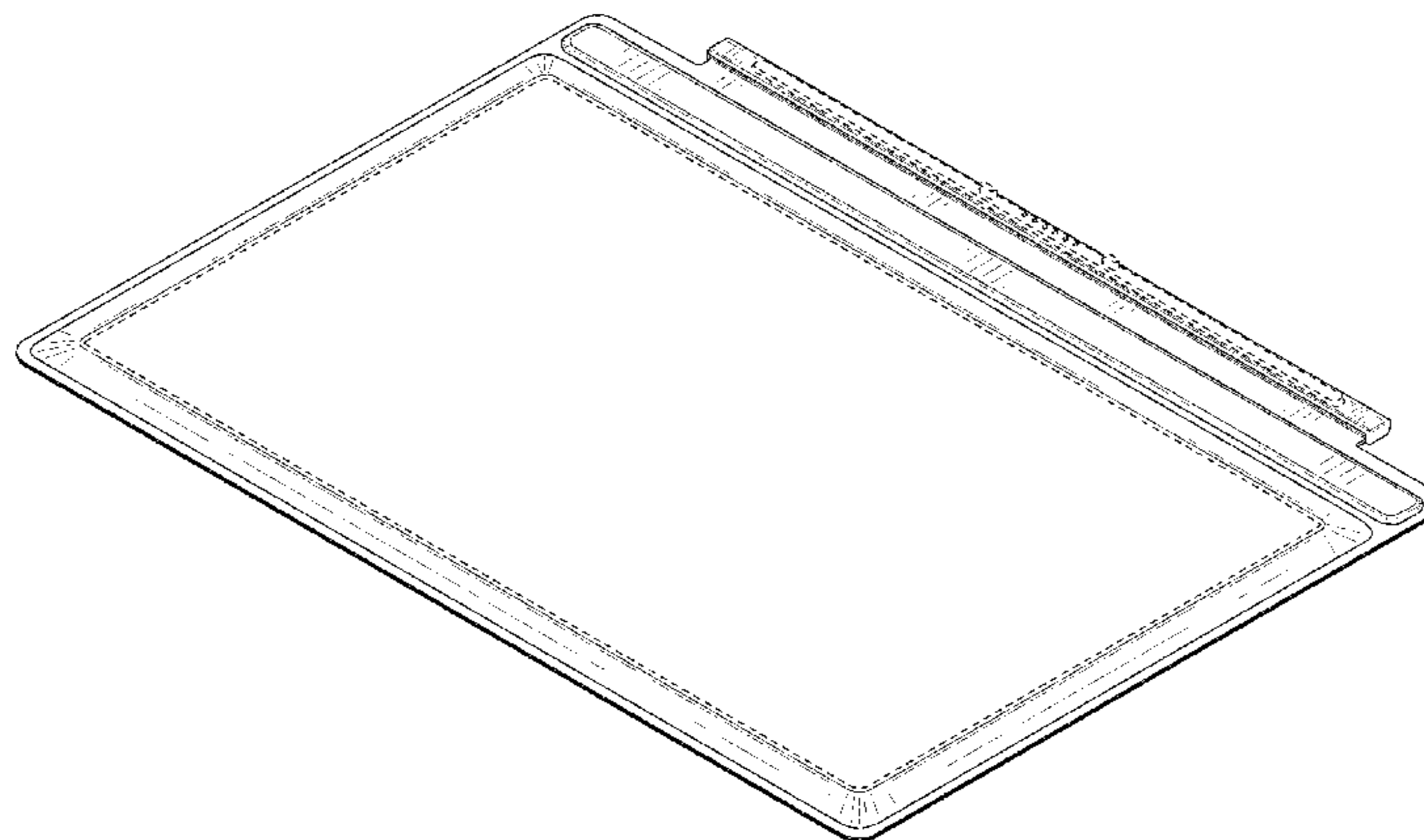
The ornamental design for an input device for an electronic tablet, as shown and described.

DESCRIPTION

FIG. 1 is a top isometric view of an input device for an electronic tablet showing our new design;
FIG. 2 is a top view thereof;
FIG. 3 is a bottom view thereof;
FIG. 4 is a left side view thereof;
FIG. 5 is a right side view thereof;
FIG. 6 is a rear view thereof; and,
FIG. 7 is a front view thereof.

The broken line showing of various features on the input device for an electronic tablet are for environmental purposes only and form no part of the claimed design.

1 Claim, 4 Drawing Sheets



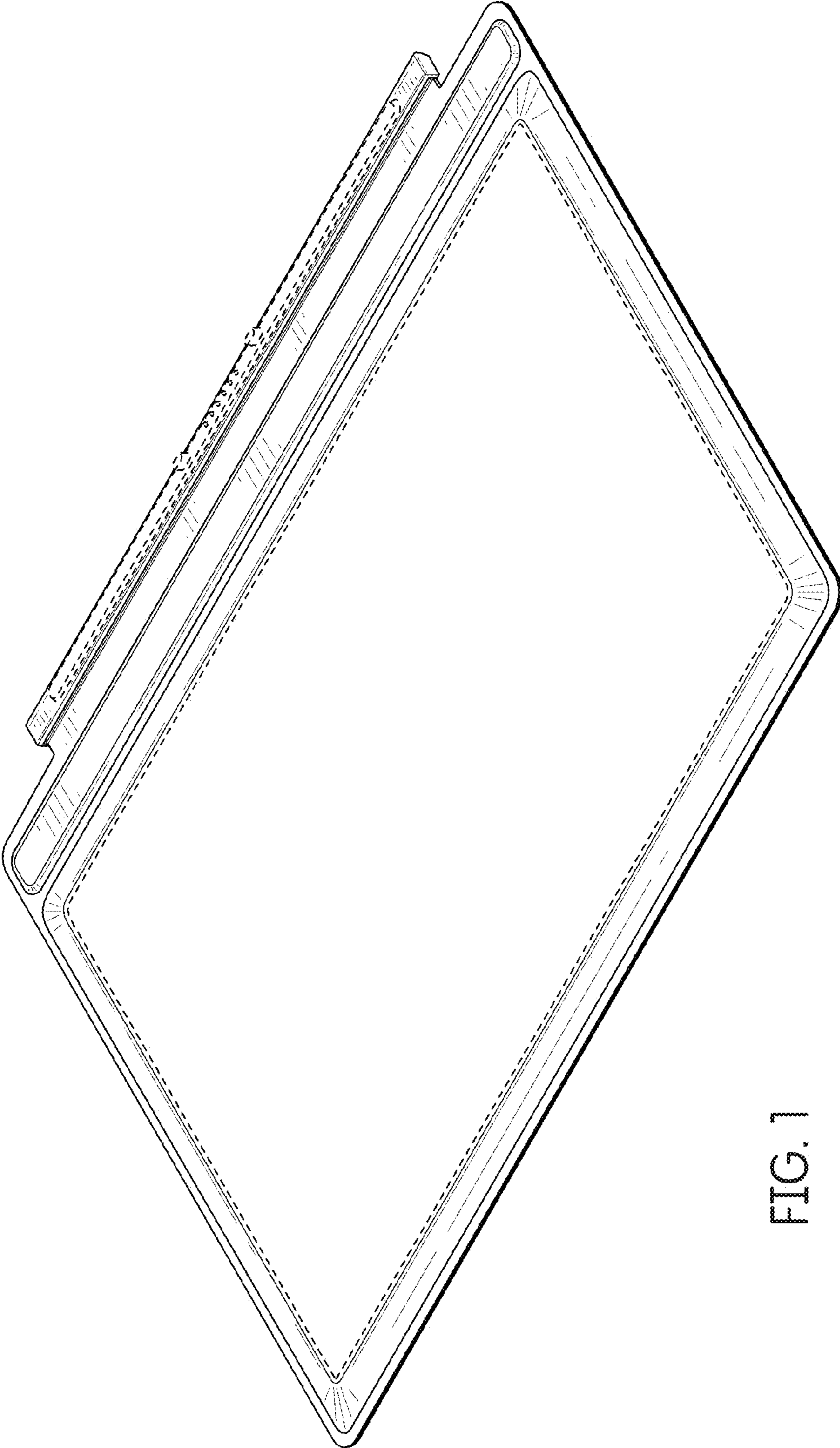


FIG. 1

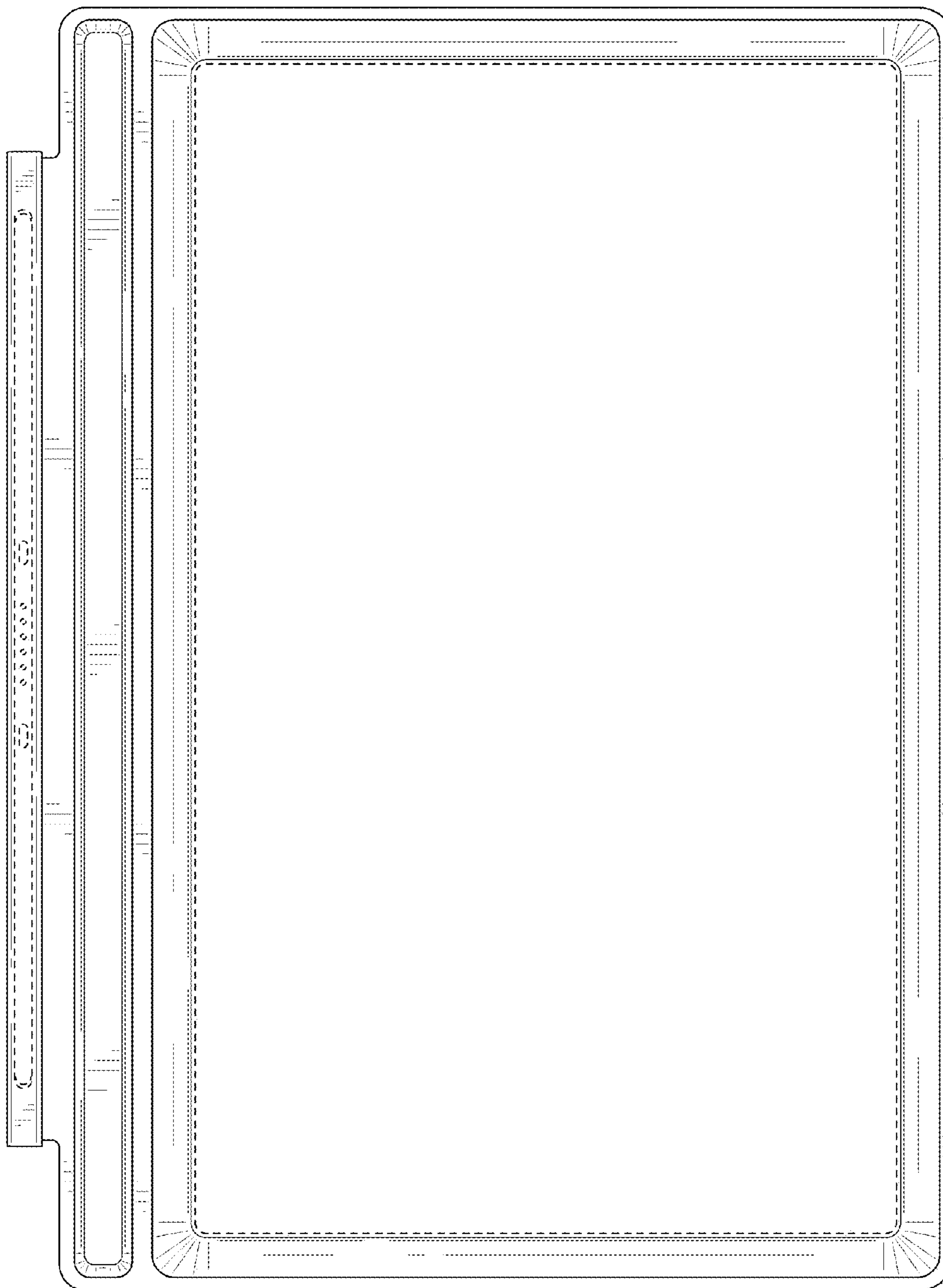


FIG. 2

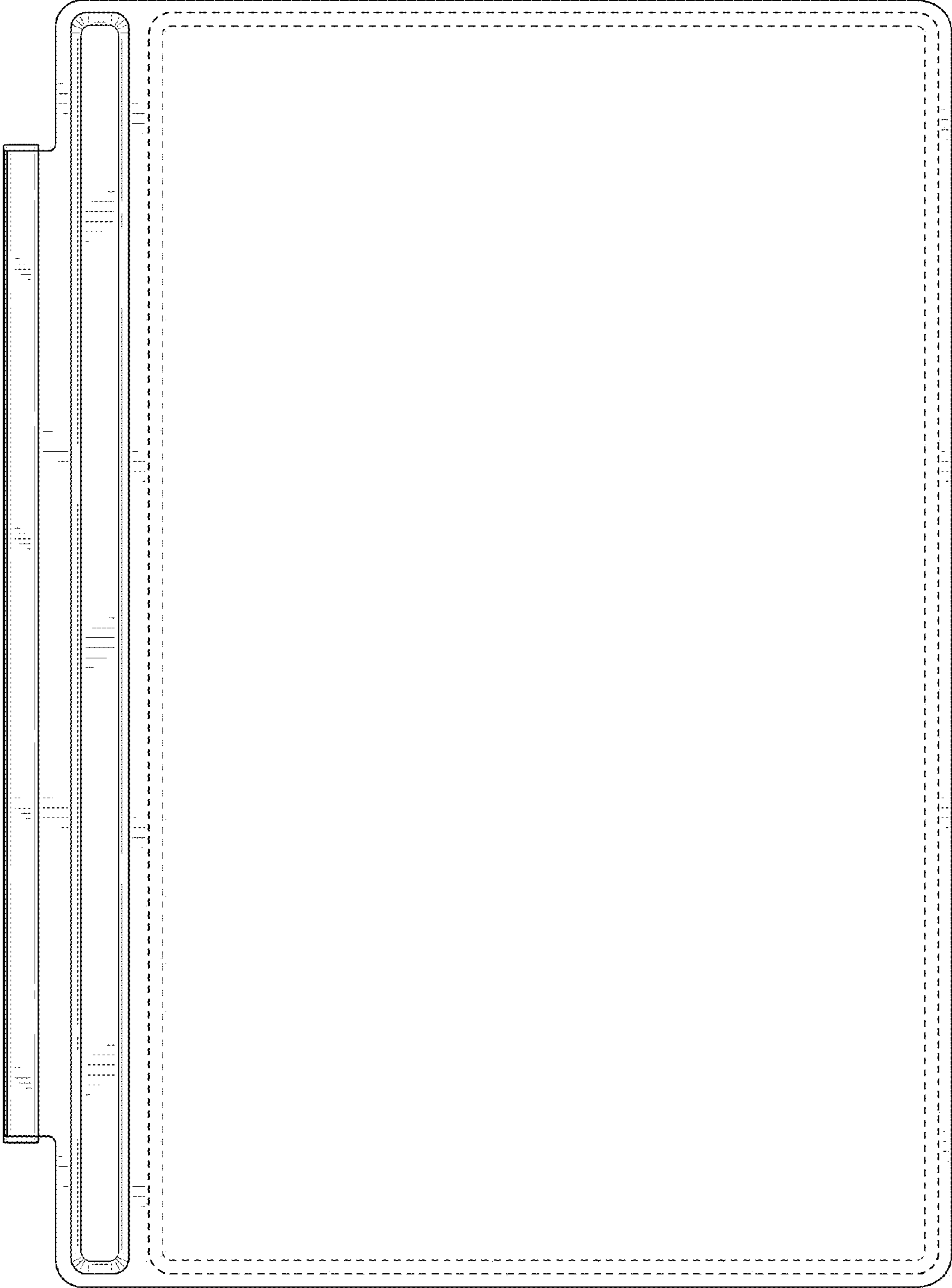


FIG. 3

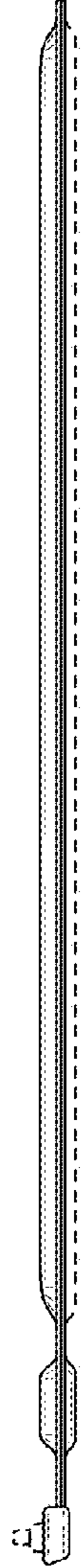


FIG. 4

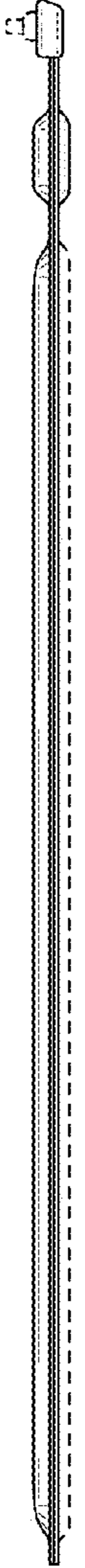


FIG. 5



FIG. 6

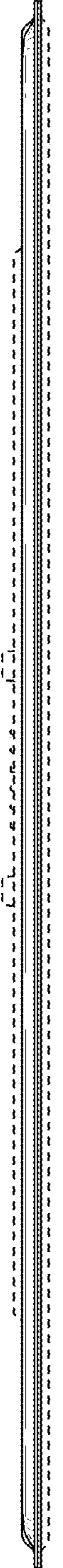


FIG. 7