



US00D733151S

(12) **United States Design Patent**
Brierley

(10) **Patent No.:** **US D733,151 S**
(45) **Date of Patent:** **** Jun. 30, 2015**

- (54) **CASE FOR AN E-READER DEVICE WITH VIEWING STAND AND A ‘Y’ SHAPED ERGONOMIC HAND STRAP**
- (71) Applicant: **Malcolm Brierley**, Horsham (GB)
- (72) Inventor: **Malcolm Brierley**, Horsham (GB)
- (**) Term: **14 Years**
- (21) Appl. No.: **29/485,795**
- (22) Filed: **Mar. 23, 2014**
- (51) **LOC (10) Cl.** **14-02**
- (52) **U.S. Cl.**
USPC **D14/440**
- (58) **Field of Classification Search**
USPC D14/250, 251, 253, 341, 318, 240, 217,
D14/496, 440, 203.3, 203.4, 203.5, 203.8;
455/575.1, 575.8; 312/240; D3/218,
D3/215, 201, 294, 289, 900; 220/4.02;
248/309.1; 361/679.56; 379/426,
379/433.11, 455; 190/100; D21/469
CPC ... G06F 1/1626; G06F 1/1633; G06F 1/1675;
G06F 1/1679; G02F 1/1306; G02F 1/133;
G02F 1/133308; G02F 1/153; G02F 1/1533;
G02F 2001/133317; H04M 1/185; H04M
1/0252; H04B 1/3888
See application file for complete search history.

D663,304	S *	7/2012	Akana et al.	D14/440
8,230,992	B2 *	7/2012	Law et al.	206/320
8,245,843	B1 *	8/2012	Wu	206/320
D669,480	S *	10/2012	Piedra et al.	D14/440
8,312,991	B2 *	11/2012	Diebel et al.	206/45.24
D671,948	S *	12/2012	Akana et al.	D14/440
D672,353	S *	12/2012	Liu	D14/440
D672,781	S *	12/2012	Lu	D14/440
D675,625	S *	2/2013	Hasbrook et al.	D14/440
D678,260	S *	3/2013	Bau	D14/250
D679,279	S *	4/2013	Yang et al.	D14/440
D679,715	S *	4/2013	Akana et al.	D14/440
8,424,830	B2 *	4/2013	Yang et al.	248/459
D681,641	S *	5/2013	Van Den Nieuwenhuizen et al.	D14/440
D682,836	S *	5/2013	Akana et al.	D14/440
D682,838	S *	5/2013	Akana et al.	D14/440
D683,141	S *	5/2013	Symons	D6/310
D687,438	S *	8/2013	Lu	D14/440
D690,305	S *	9/2013	Wen	D14/440
D690,702	S *	10/2013	Chung	D14/440
D691,142	S *	10/2013	Diebel	D14/440
D692,434	S *	10/2013	Kim	D14/440
D693,823	S *	11/2013	Chen et al.	D14/440

(Continued)

Primary Examiner — Cynthia Underwood

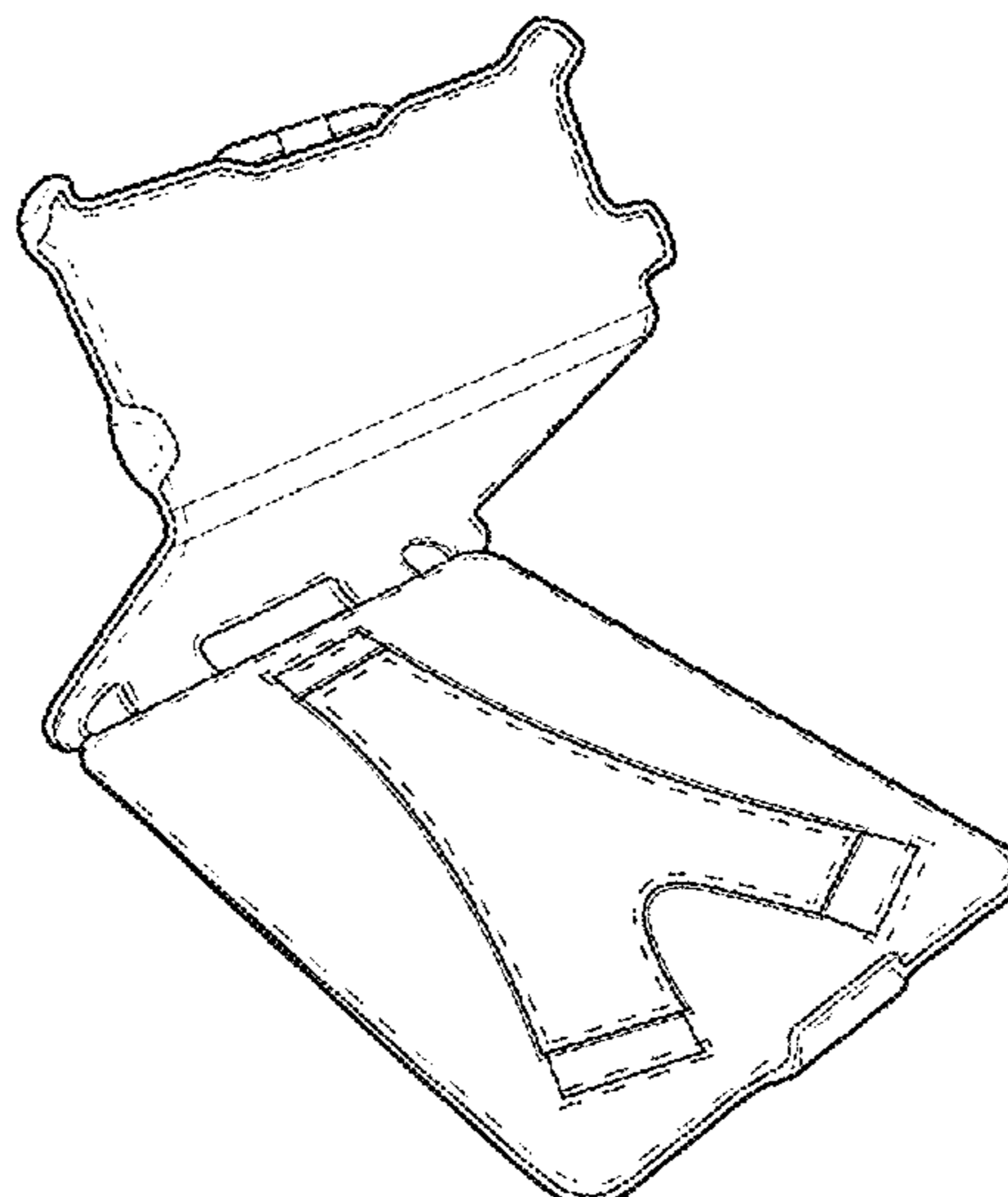
(57) **CLAIM**
The ornamental design for a case for an e-reader device with viewing stand and a ‘Y’ shaped ergonomic hand strap, as shown and described.

DESCRIPTION

FIG. 1 is a front view of a case for an e-reader device with viewing stand and a ‘Y’ shaped ergonomic hand strap, showing my new design;
FIG. 2 is a side perspective view thereof;
FIG. 3 is a rear view thereof;
FIG. 4 is a side view thereof, shown enlarged in scale; and,
FIG. 5 is a perspective view thereof, shown enlarged in scale. The broken lines represent stitching and form part of the claim.

1 Claim, 3 Drawing Sheets

- (56) **References Cited**
U.S. PATENT DOCUMENTS
- 1,613,536 A * 1/1927 Rose 132/315
- D230,376 S * 2/1974 Andrew D19/91
- 4,259,568 A * 3/1981 Dynesen 235/1 D
- 6,772,879 B1 * 8/2004 Domotor 206/45.23
- 7,281,698 B2 * 10/2007 Patterson, Jr. 248/458
- 7,414,833 B2 * 8/2008 Kittayapong 361/679.27
- D600,699 S * 9/2009 Johnston et al. D14/440
- 7,735,644 B2 * 6/2010 Sirichai et al. 206/320
- D658,187 S * 4/2012 Diebel D14/440
- D658,188 S * 4/2012 Diebel D14/440



(56)

References Cited

U.S. PATENT DOCUMENTS

D695,296	S *	12/2013	Hsu	D14/440	8,783,458	B2 *	7/2014	Gallagher et al.	206/320
D696,253	S *	12/2013	Akana et al.	D14/345	D710,859	S *	8/2014	Mecchella et al.	D14/440
D696,256	S *	12/2013	Piedra et al.	D14/440	8,797,132	B2 *	8/2014	Childs et al.	335/219
D696,669	S *	12/2013	Akana et al.	D14/440	D712,413	S *	9/2014	Fukai	D14/440
8,640,864	B2 *	2/2014	Chen et al.	206/45.2	2003/0034263	A1 *	2/2003	D'Hoste	206/320
8,644,893	B2 *	2/2014	Liang	455/575.1	2008/0302687	A1 *	12/2008	Sirichai et al.	206/320
8,657,112	B2 *	2/2014	Igarashi	206/320	2009/0159763	A1 *	6/2009	Kim	248/174
D701,205	S *	3/2014	Akana et al.	D14/345	2011/0266194	A1 *	11/2011	Bau	206/736
D702,673	S *	4/2014	Murchison et al.	D14/250	2011/0290687	A1 *	12/2011	Han	206/320
D704,689	S *	5/2014	Chang	D14/250	2012/0037523	A1 *	2/2012	Diebel et al.	206/320
D704,693	S *	5/2014	Kim	D14/250	2012/0211377	A1 *	8/2012	Sajid	206/216
D706,270	S *	6/2014	Akana et al.	D14/440	2012/0211613	A1 *	8/2012	Yang et al.	248/174
D706,783	S *	6/2014	Almodova	D14/440	2012/0305413	A1 *	12/2012	Chung	206/45.23
D707,229	S *	6/2014	Almodova	D14/440	2012/0308981	A1 *	12/2012	Libin et al.	434/362
8,757,375	B2 *	6/2014	Huang	206/320	2013/0015088	A1 *	1/2013	Wu	206/320
D708,838	S *	7/2014	Lee	D3/201	2013/0020216	A1 *	1/2013	Chiou	206/320
8,763,795	B1 *	7/2014	Oten et al.	206/45.23	2013/0140203	A1 *	6/2013	Chiang	206/320
8,766,921	B2 *	7/2014	Ballagas et al.	345/168	2013/0213838	A1 *	8/2013	Tsai et al.	206/320
8,773,353	B2 *	7/2014	Wei	345/156	2013/0214661	A1 *	8/2013	McBroom	312/325
						2013/0241381	A1 *	9/2013	Hyneczek et al.	312/240
						2013/0264459	A1 *	10/2013	McCosh et al.	248/688

* cited by examiner

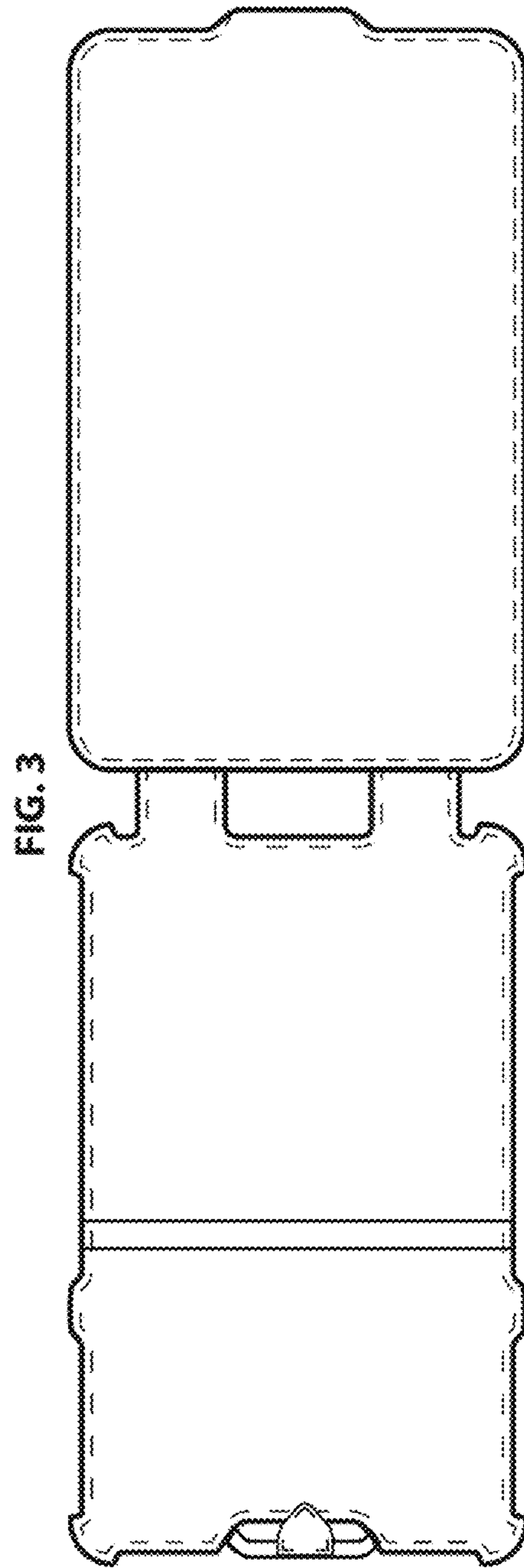
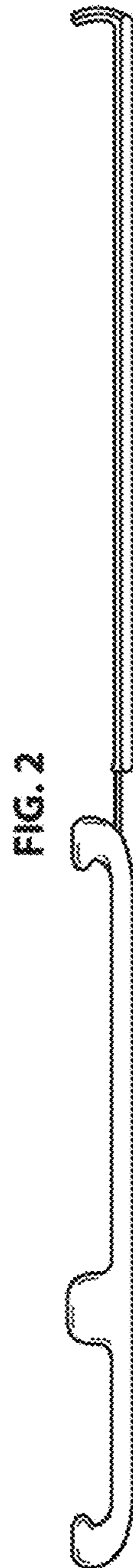
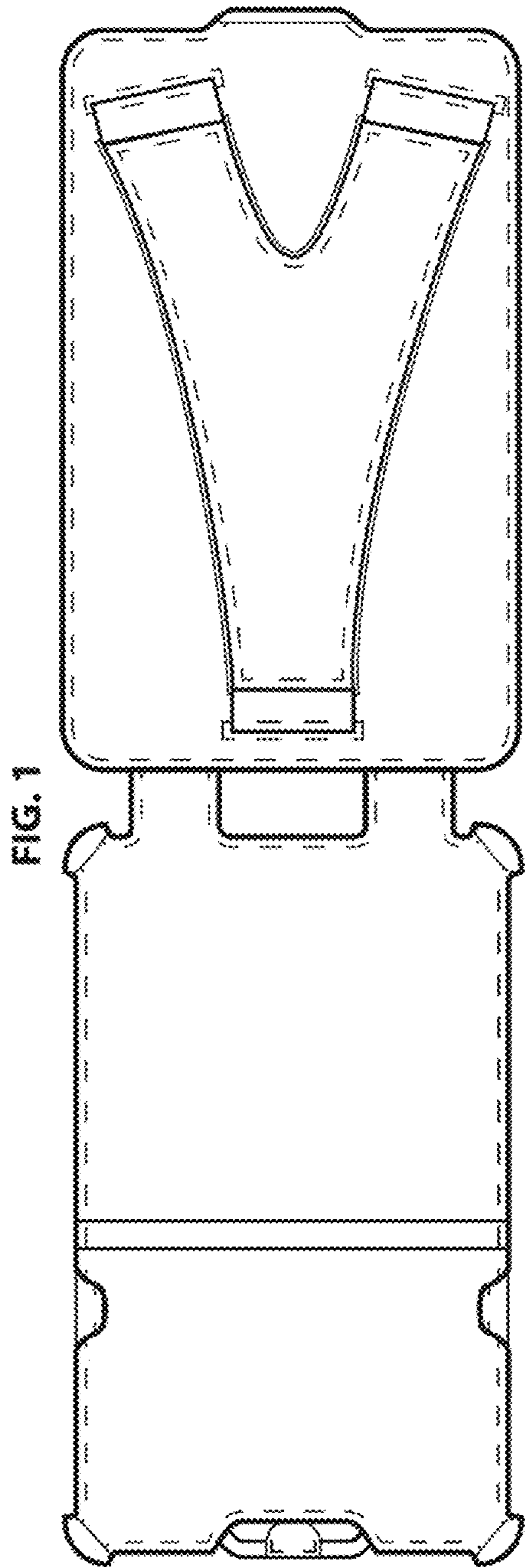


FIG. 4

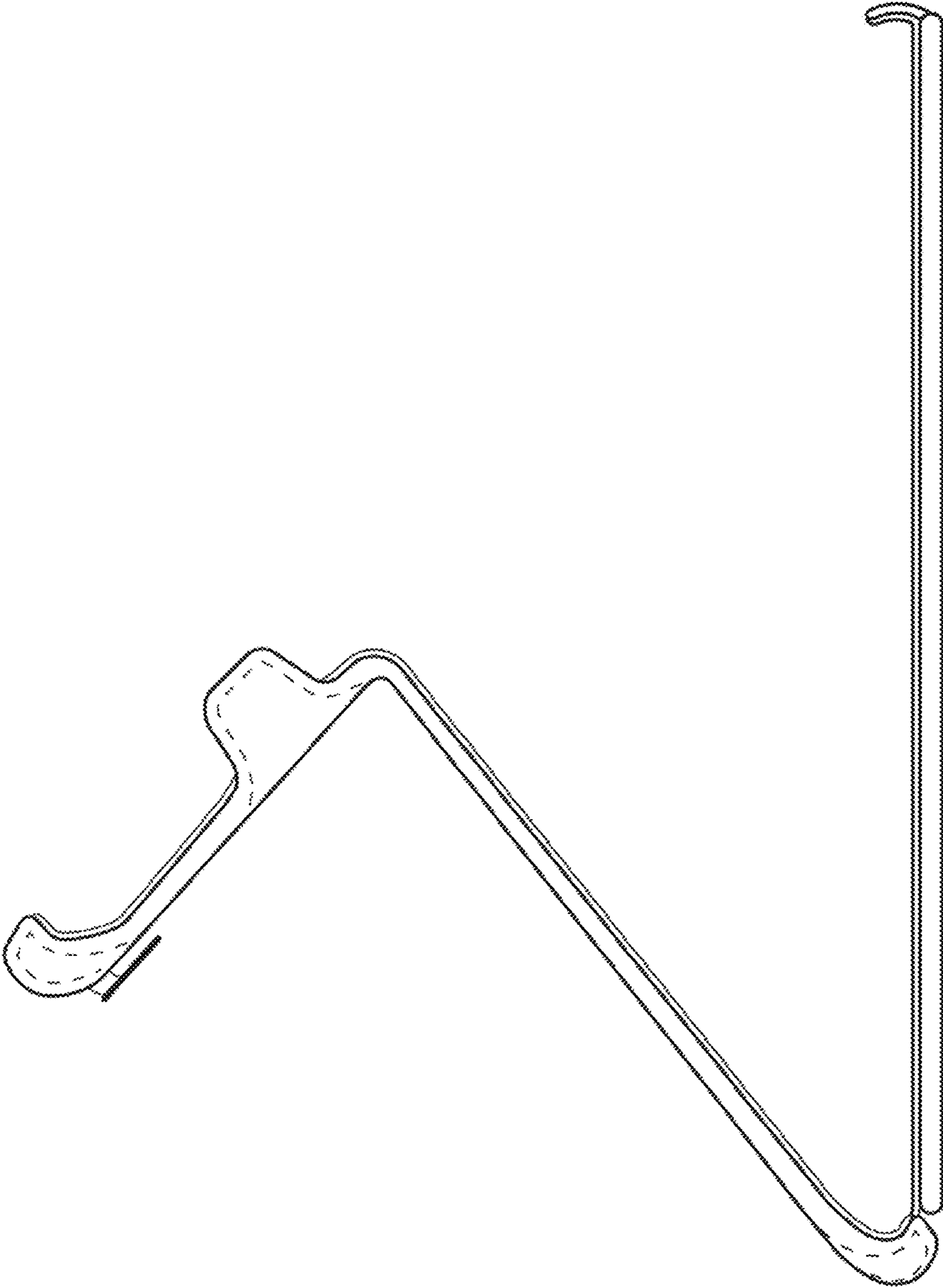


FIG. 5

