



US00D733149S

(12) **United States Design Patent**  
**Dahlberg**

(10) **Patent No.:** **US D733,149 S**  
(45) **Date of Patent:** **\*\* Jun. 30, 2015**

(54) **COMPUTER CASE**

(71) Applicant: **Precise Biometrics AB**, Lund (SE)  
(72) Inventor: **Staffan Peter Dahlberg**, Lund (SE)  
(73) Assignee: **Precise Biometrics AB**, Lund (SE)  
(\*\*) Term: **14 Years**

(21) Appl. No.: **29/479,851**

(22) Filed: **Jan. 21, 2014**

(30) **Foreign Application Priority Data**

Oct. 22, 2013 (EM) ..... 002330977-0004  
Oct. 22, 2013 (EM) ..... 002330977-0005

(51) **LOC (10) Cl.** ..... **14-02**

(52) **U.S. Cl.**  
USPC ..... **D14/440**

(58) **Field of Classification Search**  
USPC ..... D14/250, 251, 253, 341, 318, 240, 217,  
D14/496, 440, 203.3, 203.4, 203.5, 203.8;  
455/575.1, 575.8; 312/240; D3/218,  
D3/215, 201, 294, 289, 900; 220/4.02;  
248/309.1; 361/679.56; 379/426,  
379/433.11, 455; 190/100; D21/469  
CPC ... G06F 1/1626; G06F 1/1633; G06F 1/1675;  
G06F 1/1679; G02F 1/1306; G02F 1/133;  
G02F 1/133308; G02F 1/153; G02F 1/1533;  
G02F 2001/133317; H04M 1/185; H04M  
1/0252; H04B 1/3888

See application file for complete search history.

(56) **References Cited**

U.S. PATENT DOCUMENTS

D602,017	S	*	10/2009	Andre et al.	.....	D14/341
D637,596	S	*	5/2011	Akana et al.	.....	D14/341
D667,398	S	*	9/2012	Koh	.....	D14/341
D673,958	S	*	1/2013	Fathollahi	.....	D14/440
D677,667	S	*	3/2013	Smith et al.	.....	D14/440
D678,292	S	*	3/2013	Phillips et al.	.....	D14/440
D679,714	S	*	4/2013	Smith et al.	.....	D14/440
D683,730	S	*	6/2013	Akana et al.	.....	D14/341
D686,626	S	*	7/2013	Tan	.....	D14/440
D690,703	S	*	10/2013	Welch et al.	.....	D14/440
D695,297	S	*	12/2013	Sun et al.	.....	D14/440
D695,746	S	*	12/2013	Magness et al.	.....	D14/440
D703,211	S	*	4/2014	Weller et al.	.....	D14/440
D704,190	S	*	5/2014	Sugino et al.	.....	D14/432
D706,782	S	*	6/2014	Dresser, III	.....	D14/440
D707,683	S	*	6/2014	Nam-Su	.....	D14/440
D708,621	S	*	7/2014	Gifford et al.	.....	D14/447
D709,895	S	*	7/2014	Son	.....	D14/440
2010/0289390	A1	*	11/2010	Kenney	.....	312/223.1

\* cited by examiner

*Primary Examiner* — Cynthia Underwood

(74) *Attorney, Agent, or Firm* — Thomas|Horstemeyer, LLP

(57) **CLAIM**

The ornamental design for a computer case, as shown and described.

**DESCRIPTION**

FIG. 1 is a back plan view of the computer case;  
FIG. 2 is a back and bottom perspective view thereof;  
FIG. 3 is a back and top perspective view thereof;  
FIG. 4 is a top plan view thereof; and,  
FIG. 5 is a bottom plan view thereof.

**1 Claim, 5 Drawing Sheets**

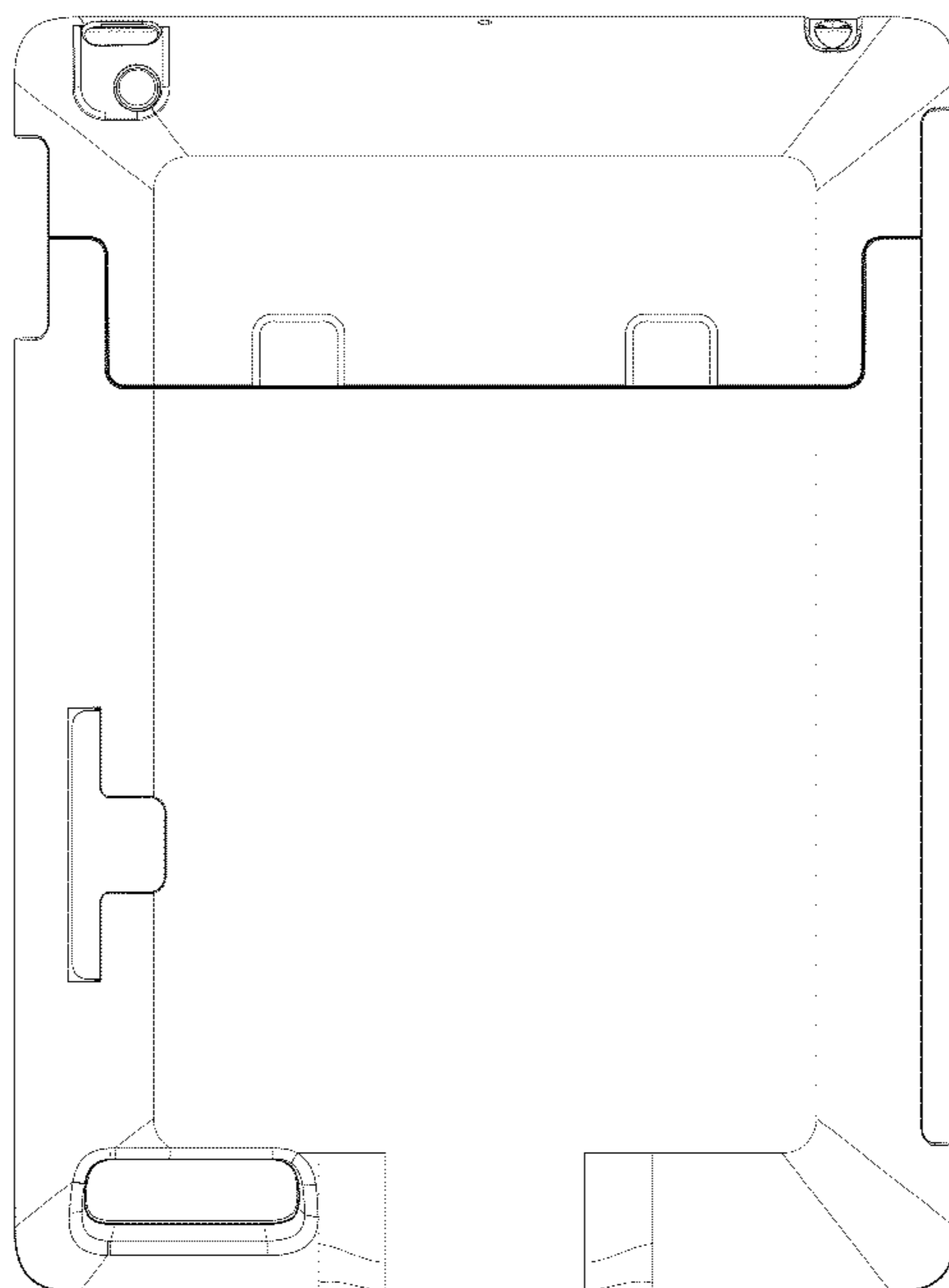
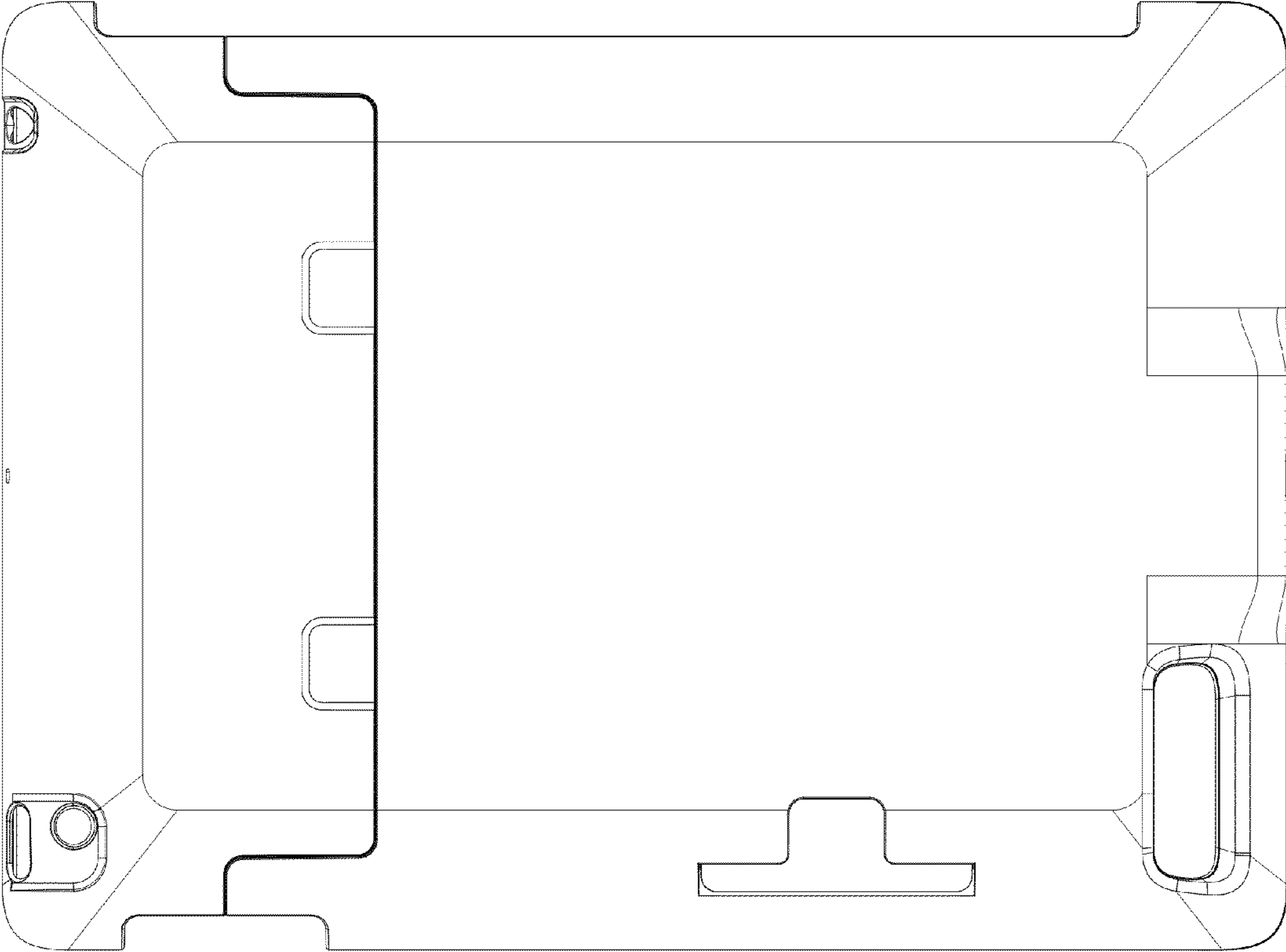


FIG. 1



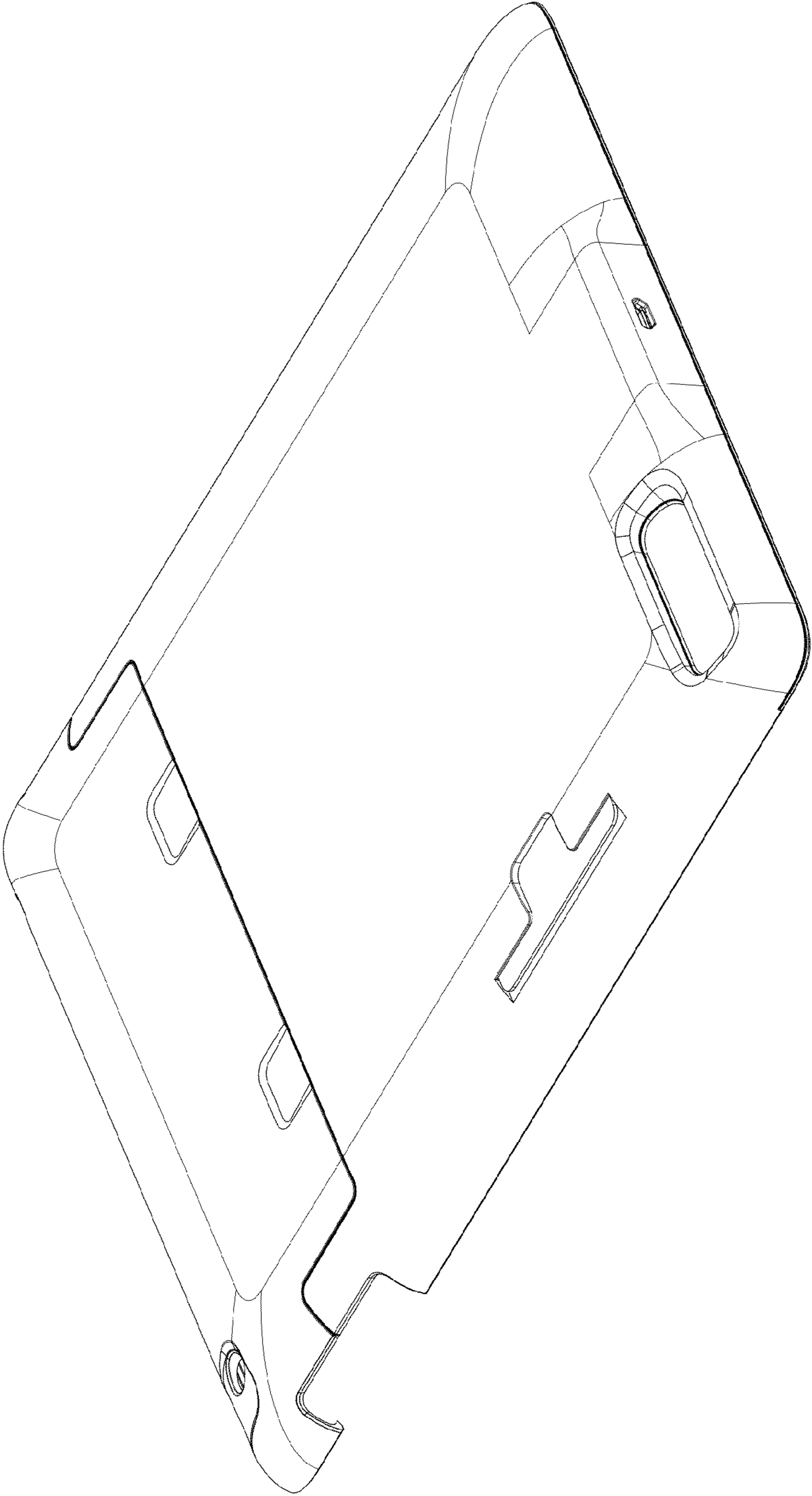


FIG. 2

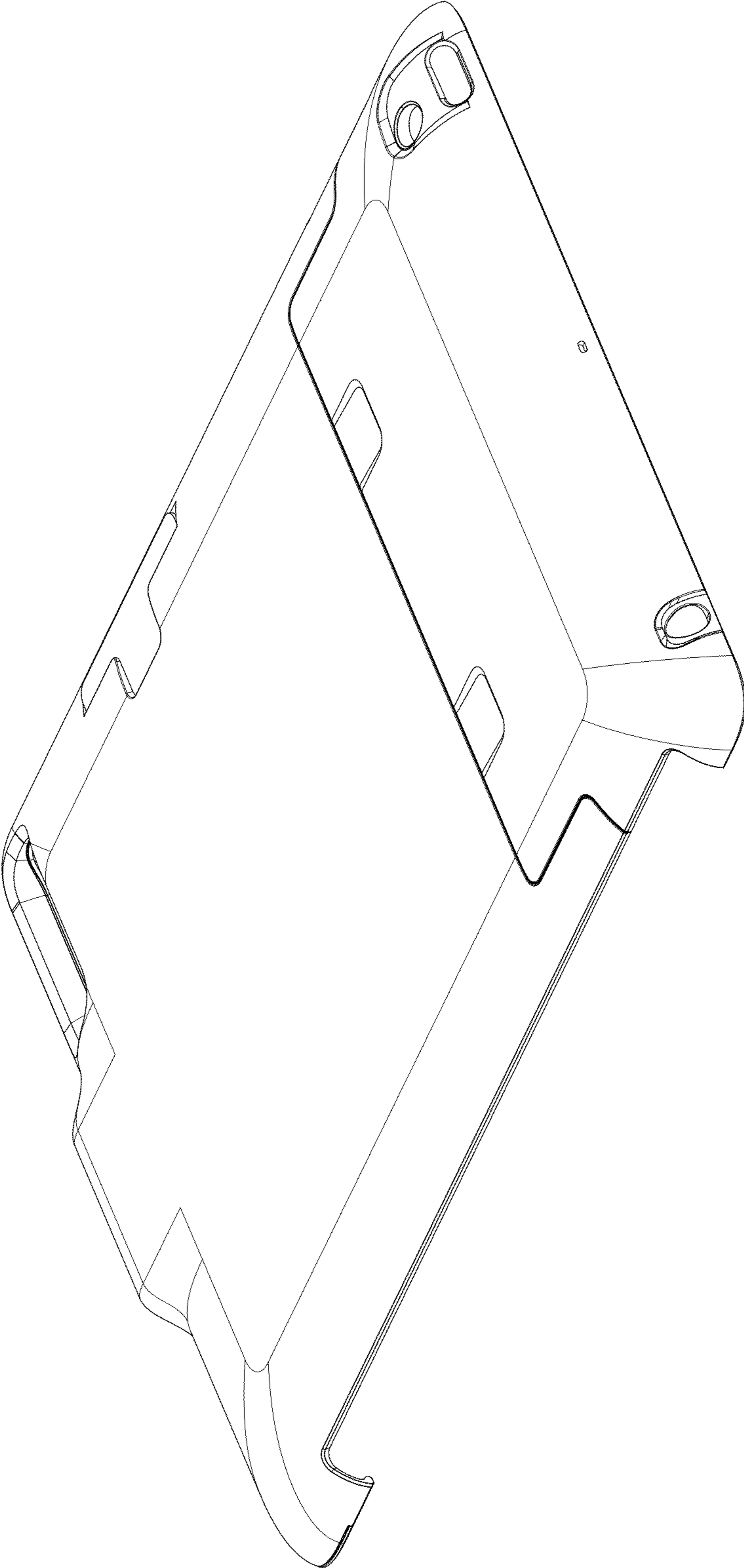


FIG. 3

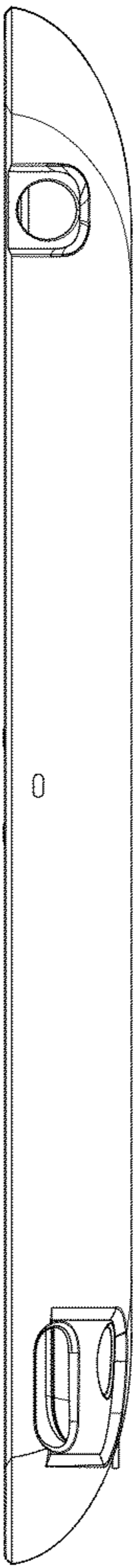


FIG. 4

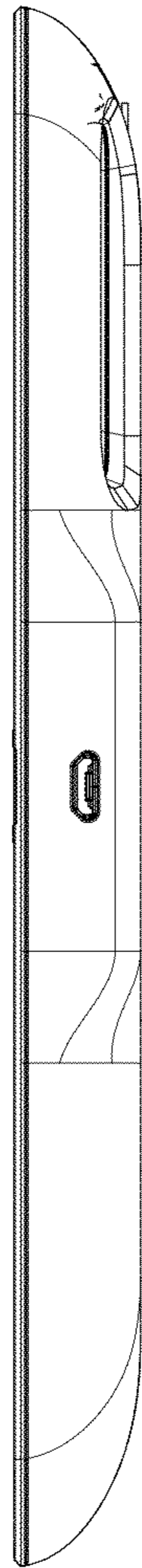


FIG. 5