



US00D733147S

(12) **United States Design Patent**
Stevens et al.

(10) **Patent No.:** **US D733,147 S**
(45) **Date of Patent:** **** Jun. 30, 2015**

- (54) **COMPUTER TABLET HOLDER**
- (71) Applicant: **Kaylor Global, Inc.**, Redwood City, CA (US)
- (72) Inventors: **Micah Stevens**, Redwood City, CA (US); **Brett Augood**, El Dorado Hills, CA (US)
- (73) Assignee: **Kaylor Global, Inc.**, Redwood City, CA (US)

7,717,483	B1	5/2010	Bombara	
8,186,642	B2	5/2012	Weiss-Vons	
D681,420	S	5/2013	Heuov et al.	
D693,818	S	11/2013	Webber	
D696,673	S *	12/2013	Vogel	D14/447
8,672,374	B1	3/2014	Webber	
D708,677	S *	7/2014	Baumann et al.	D21/398
D709,563	S *	7/2014	Baumann et al.	D21/398
D709,564	S *	7/2014	Baumann et al.	D21/398

(Continued)

(**) Term: **14 Years**

(21) Appl. No.: **29/478,523**

(22) Filed: **Jan. 6, 2014**

(51) **LOC (10) Cl.** **14-02**

(52) **U.S. Cl.**
USPC **D14/439**

(58) **Field of Classification Search**
 USPC D14/300–302, 308–313, 314, 348,
 D14/353–355, 432, 439–446, 447, 451;
 361/679.02, 679.31, 679.5, 690, 694,
 361/679.23, 801, 802; 312/332.1, 334.1;
 D19/65, 91; D3/218; D8/354, 373;
 D12/193; 248/206.2
 CPC A45C 11/00; A45C 2011/003; B60R
 11/0241; B60R 11/0252; F16M 13/00; F16M
 11/00

See application file for complete search history.

(56) **References Cited**

U.S. PATENT DOCUMENTS

3,879,005	A *	4/1975	Flick	248/205.5
D361,671	S *	8/1995	Sharpe	D6/323
D376,308	S	12/1996	Lee	
5,762,305	A	6/1998	Lee	
D450,092	S *	11/2001	Guillot	D19/90
D471,400	S	3/2003	Jeter et al.	
D578,868	S *	10/2008	Ramakers et al.	D8/354
D613,291	S *	4/2010	Carver	D14/432
D616,285	S	5/2010	Kimber	

OTHER PUBLICATIONS

Hold Your iPad / Tablet Securely With One Hand, <http://www.ebay.com/itm/Hold-Your-iPad-Tablet-Securely-With-One-Hand-New-Bakbone-Holder-Graphite>, eBay, Dec. 4, 2013.

(Continued)

Primary Examiner — Austin Murphy
(74) *Attorney, Agent, or Firm* — Patent Law Professionals, P.C.; William E. Winters

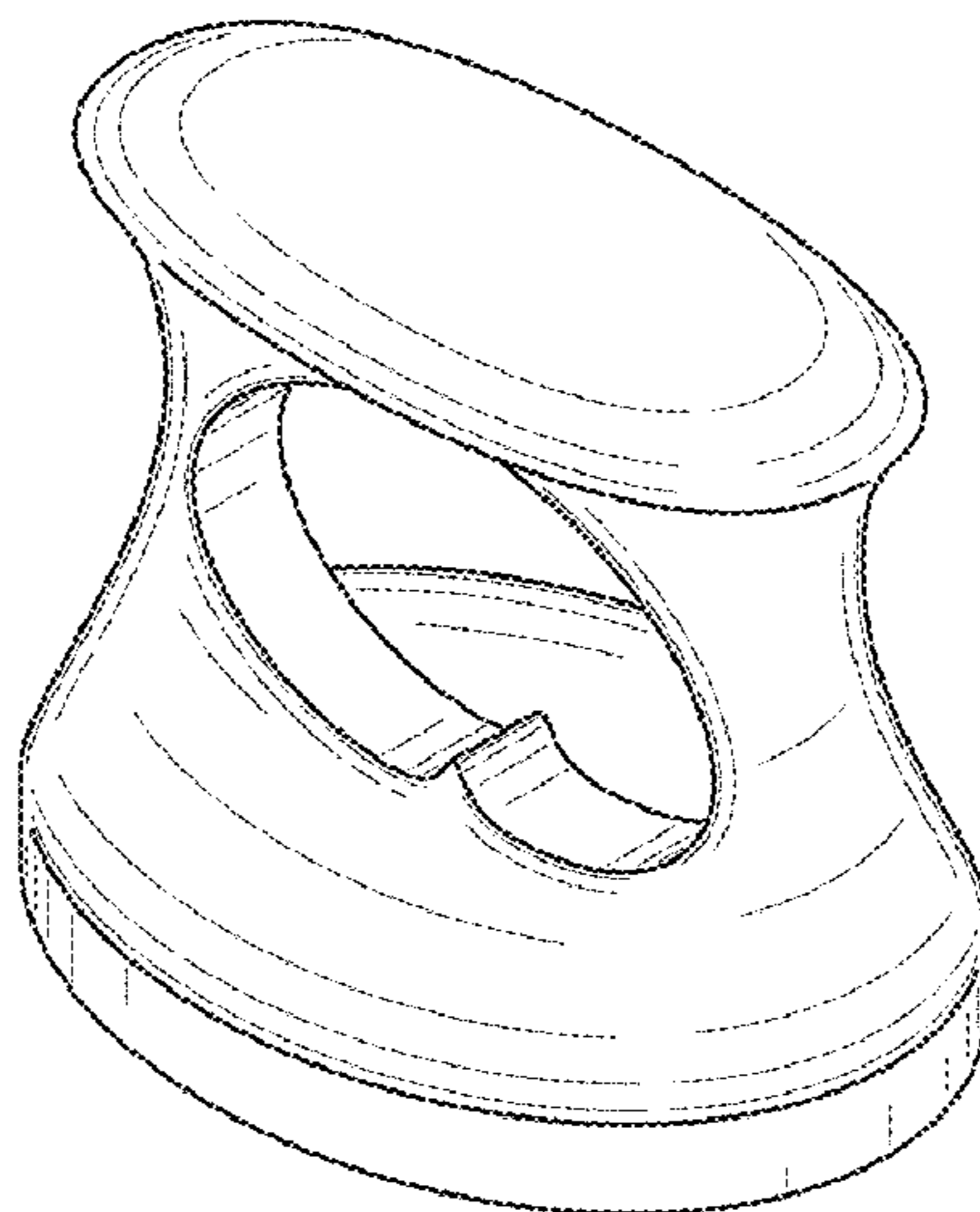
(57) **CLAIM**
We claim the ornamental design for a computer tablet holder, substantially as shown and described.

DESCRIPTION

FIG. 1 is a top perspective view of a computer tablet holder showing our new design;
FIG. 2 is a front elevational view thereof;
FIG. 3 is a side elevational view thereof;
FIG. 4 is a top plan view thereof;
FIG. 5 is a bottom plan view thereof; and,
FIG. 6 is a view of the computer tablet holder in place, attached to a computer tablet.

The front elevational view and back elevational view of the computer tablet holder are identical. The left side elevational view and right side elevational view are identical. The features shown in broken lines in the drawings are for the purpose of illustrating environmental structure and form no part of the design.

1 Claim, 2 Drawing Sheets



(56)

References Cited

U.S. PATENT DOCUMENTS

D714,394 S * 9/2014 Baumann et al. D21/398
8,887,357 B2 * 11/2014 Jimenez 16/421
D723,573 S * 3/2015 Padro D14/447
D725,660 S * 3/2015 Trotsky D14/447
2011/0284599 A1 11/2011 Sternick

OTHER PUBLICATIONS

2loop iPad Handle, <http://www.laptopdesk.net/2llp-ipad-handle.html>, laptopdesk, Oct. 15, 2013.

LapWorks Tablet Handler Strapp With Adjustable Strap for All iPads . . . , <http://www.amazon.com/LapWorks-Handler-Adjustable-Tablets-including/dp/B008L2N>, Oct. 15, 2013.

Hand-e-Holder, <http://www.handeholder.com/m5/10000--hand-e-holder.html>, Oct. 15, 2013.

Soft Grip iPad Handle, <http://www.laptopdesk.net/ipad-soft-grip-handle.html>, Oct. 15, 2013.

Soft Grip iPad Mini Handle, <http://www.laptopdesk.net/ipad-mini-soft-handle-only.html>, Oct. 15, 2013.

Soft Grip iPad Mini Handle & Stand, <http://www.laptopdesk.net/ipad-mini-soft-grip-handle.html>, Oct. 15, 2013.

* cited by examiner

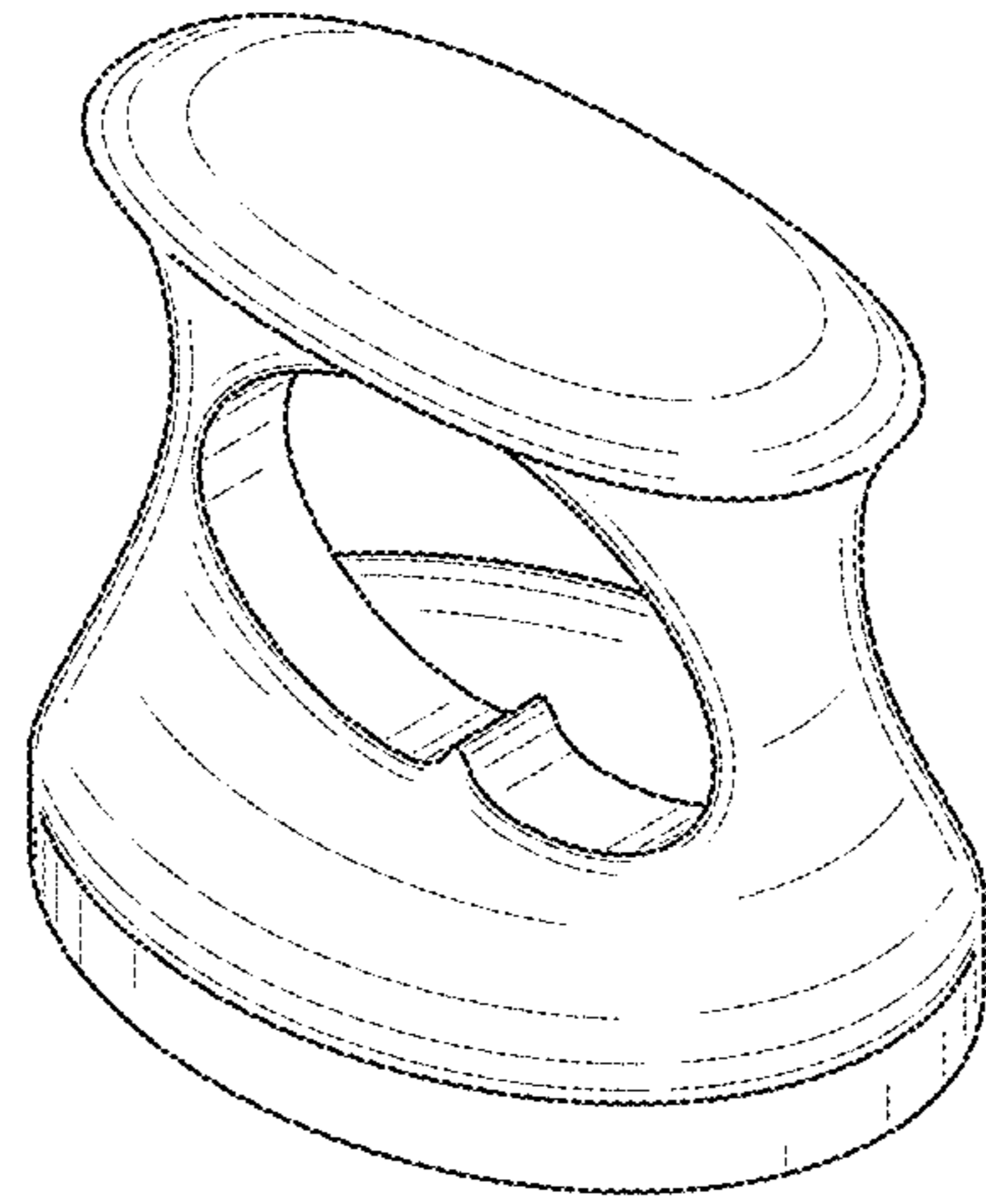


FIG. 1

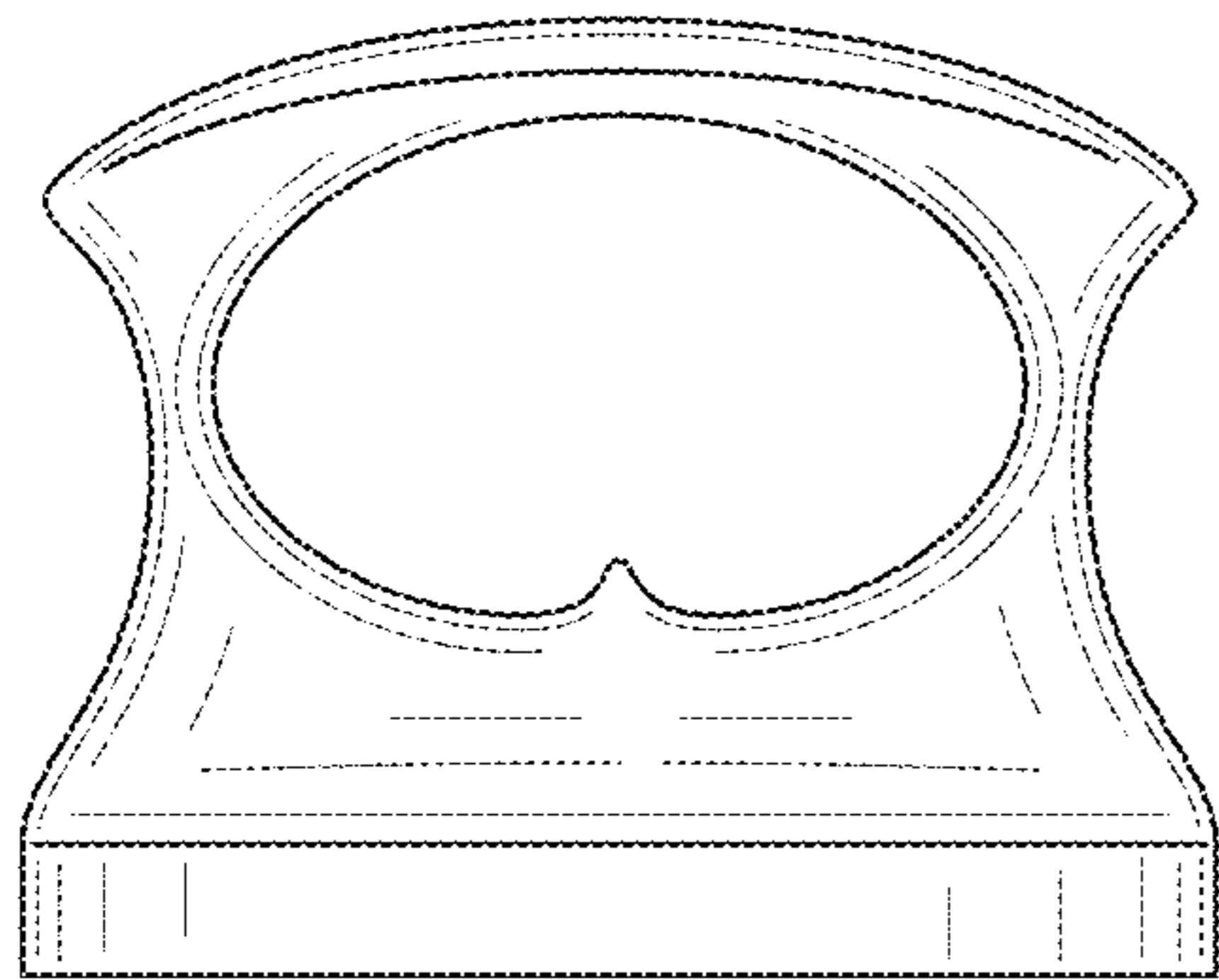


FIG. 2

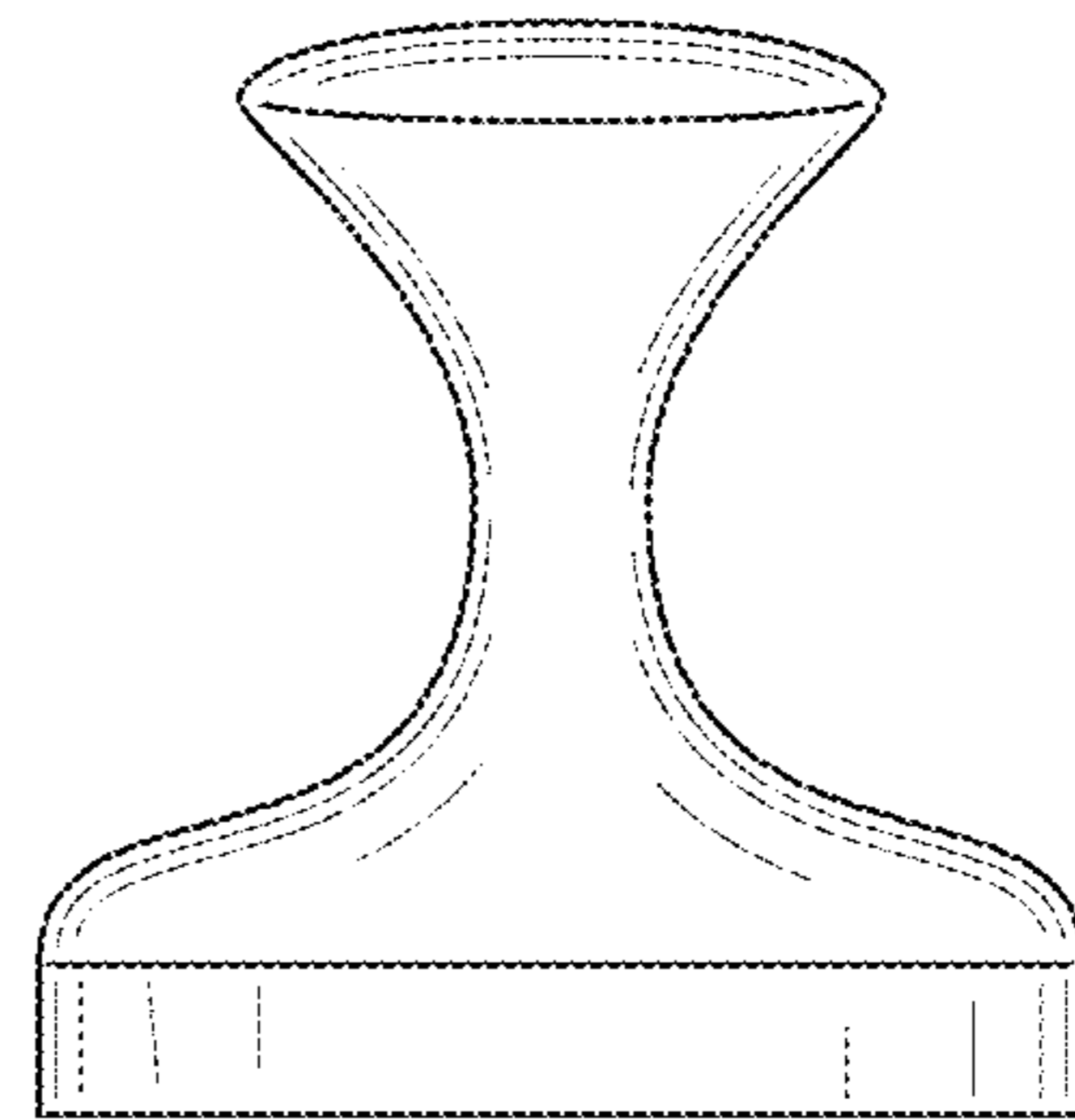


FIG. 3

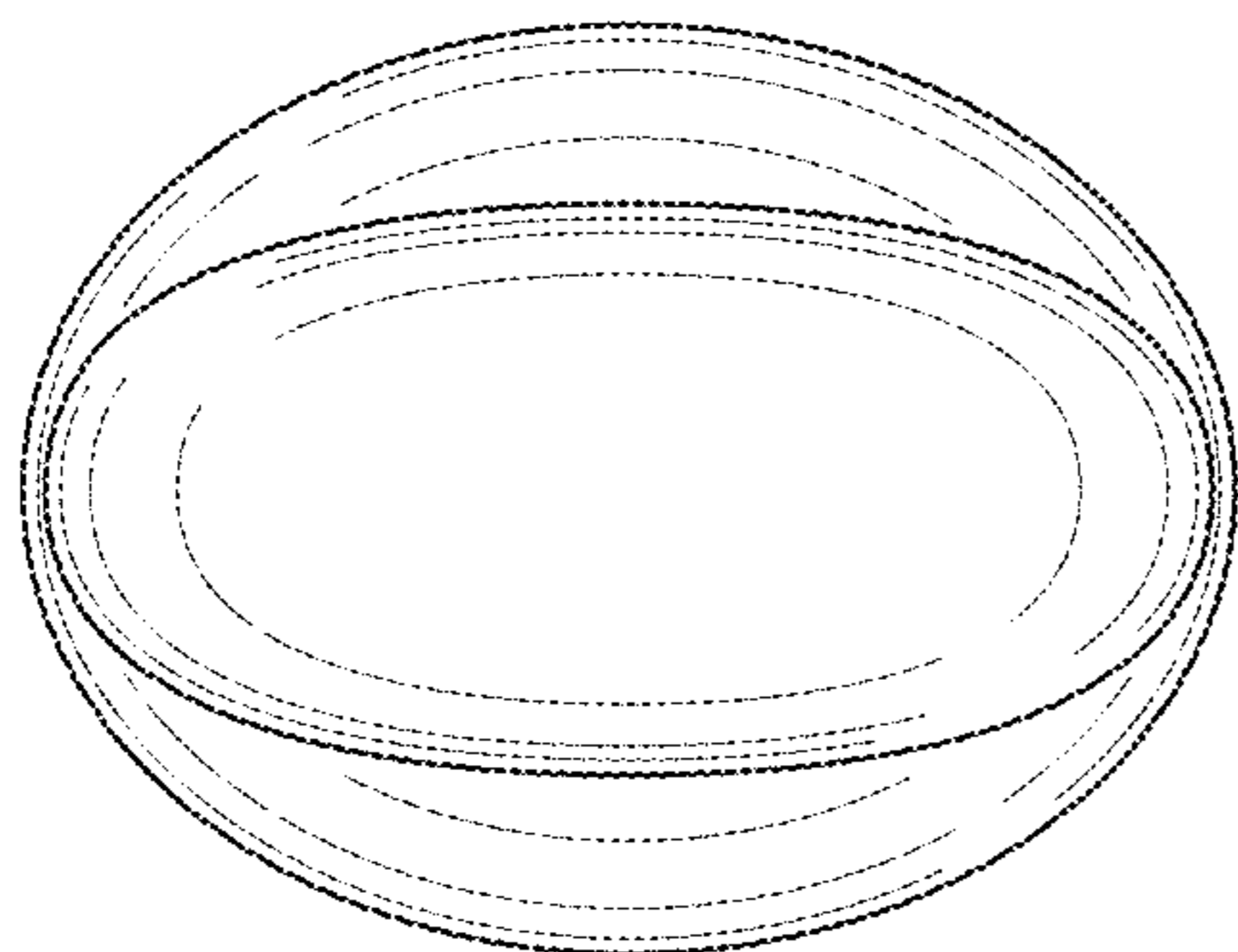


FIG. 4

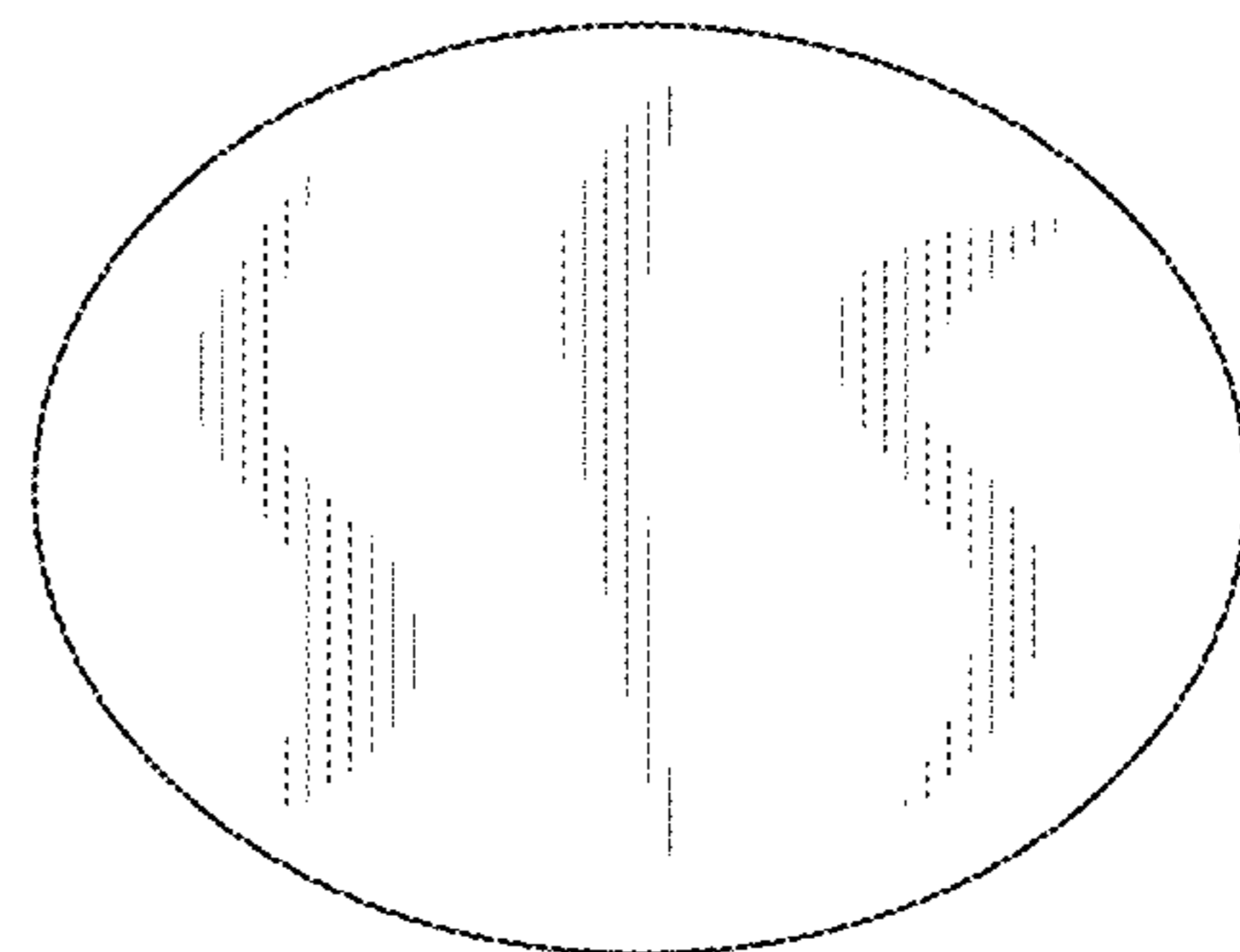


FIG. 5

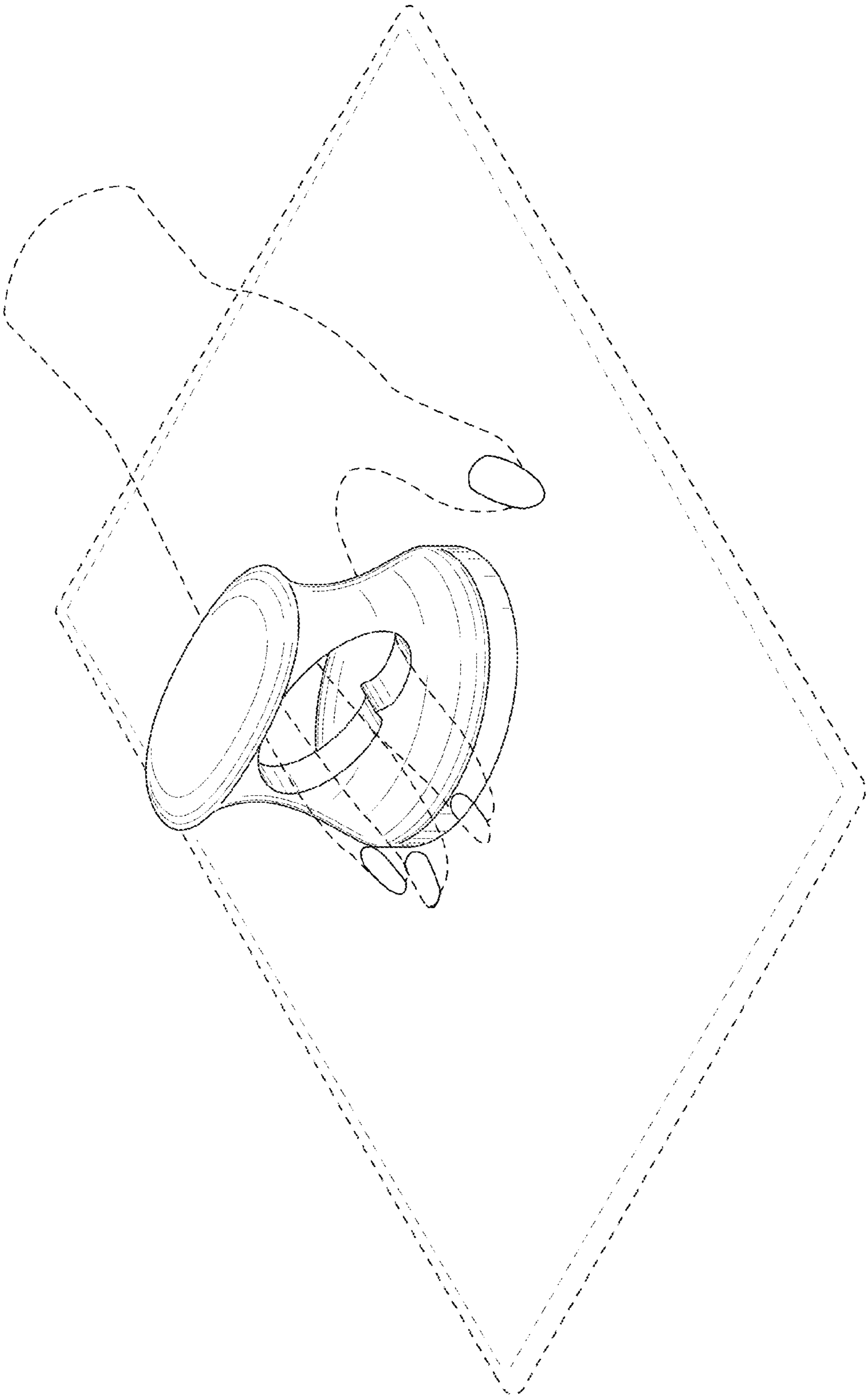


FIG. 6