



US00D733146S

(12) **United States Design Patent**
Akana et al.

(10) **Patent No.:** **US D733,146 S**
(45) **Date of Patent:** **** *Jun. 30, 2015**

(54) **ENCLOSURE FOR COMMUNICATIONS DEVICE**

(71) Applicant: **Apple Inc.**, Cupertino, CA (US)

(72) Inventors: **Jody Akana**, San Francisco, CA (US); **Bartley K. Andre**, Menlo Park, CA (US); **Jeremy Bataillou**, San Francisco, CA (US); **Sawyer Issac Cohen**, Sunnyvale, CA (US); **Daniel J. Coster**, San Francisco, CA (US); **Daniele De Iuliis**, San Francisco, CA (US); **M. Evans Hankey**, San Francisco, CA (US); **Julian Hoenig**, San Francisco, CA (US); **Richard P. Howarth**, San Francisco, CA (US); **Jonathan P. Ive**, San Francisco, CA (US); **Duncan Robert Kerr**, San Francisco, CA (US); **Shin Nishibori**, Kailua, HI (US); **David A. Pakula**, San Francisco, CA (US); **Matthew Dean Rohrbach**, San Francisco, CA (US); **Peter Russell-Clarke**, San Francisco, CA (US); **Ashutosh Y. Shukla**, Santa Clara, CA (US); **Christopher J. Stringer**, Woodside, CA (US); **Tang Yew Tan**, San Francisco, CA (US); **Eugene Antony Whang**, San Francisco, CA (US); **Michael Benjamin Wittenberg**, Sunnyvale, CA (US); **Charles B. Woodhull**, San Francisco, CA (US); **Rico Zörkendörfer**, San Francisco, CA (US)

(73) Assignee: **Apple Inc.**, Cupertino, CA (US)

(*) Notice: This patent is subject to a terminal disclaimer.

(**) Term: **14 Years**

(21) Appl. No.: **29/441,670**

(22) Filed: **Jan. 8, 2013**
Related U.S. Application Data

(63) Continuation of application No. 29/423,181, filed on May 29, 2012.

(51) **LOC (10) Cl.** **14-04**

(52) **U.S. Cl.**
USPC **D14/439**

(58) **Field of Classification Search**
USPC D14/432, 433, 253, 251, 439, 446, 300, D14/348, 302, 341, 441, 440, 451, 457, 448,

D14/447, 445; D13/118, 177; 455/557;
D8/349; 248/176.1, 346.03;
361/679.02, 600; 174/354, 359

CPC H05K 5/03; H04M 1/026
See application file for complete search history.

(56) **References Cited**

U.S. PATENT DOCUMENTS

D270,061 S 8/1983 Ackeret
D300,831 S 4/1989 Jenkins et al.

(Continued)

FOREIGN PATENT DOCUMENTS

EM 000910591-0001 3/2008
EM 000938071-0001 5/2008

(Continued)

OTHER PUBLICATIONS

“File: LG KE850 Prada Hauptmenü.jpg”, Wikipedia, (http://en.wikipedia.org/wiki/File:LG_KE850_Prada_Hauptmen%C3%BC.jpg), published May 13, 2008, 4 pages.

(Continued)

Primary Examiner — Robert M Spear

Assistant Examiner — Kendra L Hamilton

(74) *Attorney, Agent, or Firm* — Sterne, Kessler, Goldstein & Fox P.L.L.C.

(57) **CLAIM**

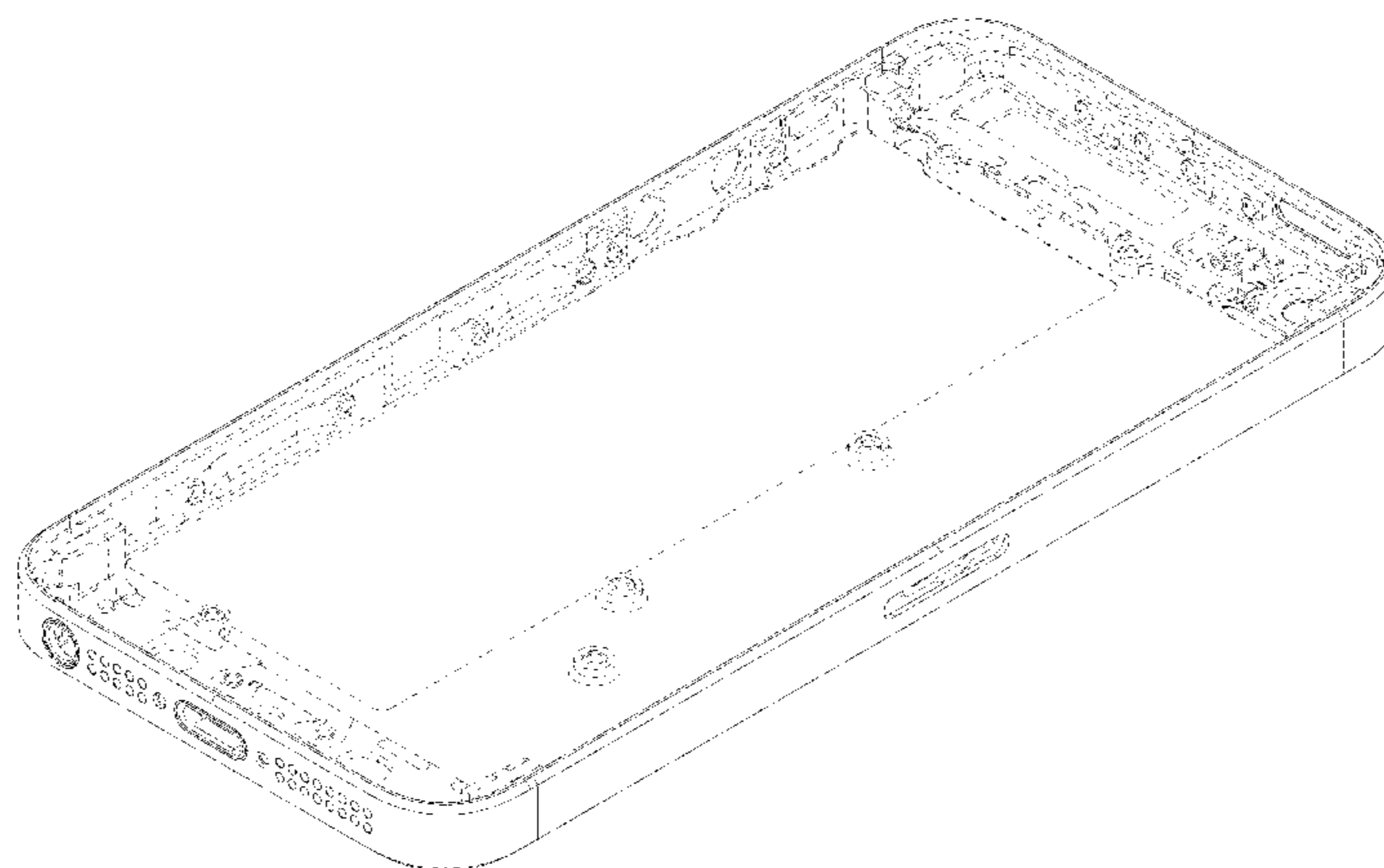
The ornamental design for an enclosure for communications device, as shown and described.

DESCRIPTION

FIG. 1 is a rear perspective view of an enclosure for communications device showing our new design; FIG. 2 is a front perspective view thereof; FIG. 3 is a front view thereof; FIG. 4 is a rear view thereof; FIG. 5 is a top view thereof; FIG. 6 is a bottom view thereof; FIG. 7 is left side view thereof; and, FIG. 8 is a right side view thereof.

The lines in the Figures which bisect the center of the side surfaces of the component in all views are shade lines and are not boundary lines or surface ornamentation. They may be removed from the drawings without departing from the original disclosure.

1 Claim, 6 Drawing Sheets



(56)

References Cited

U.S. PATENT DOCUMENTS

D332,328 S 1/1993 Lombardi, Jr.
 D384,942 S 10/1997 Vinuela
 D410,440 S 6/1999 Carnell
 D420,354 S 2/2000 Morales
 D469,413 S 1/2003 To et al.
 D494,165 S 8/2004 Yokota
 D513,617 S 1/2006 Tierney
 D515,541 S 2/2006 Jensfelt
 D535,281 S 1/2007 Yang
 D536,329 S 2/2007 Lee
 D539,815 S 4/2007 Lai et al.
 D557,239 S 12/2007 Lee
 7,303,424 B2 12/2007 Tu et al.
 D558,460 S 1/2008 Yu et al.
 D558,726 S 1/2008 Wang et al.
 D560,227 S 1/2008 Bennett et al.
 D562,285 S 2/2008 Lim
 D567,819 S 4/2008 Devericks et al.
 D569,629 S 5/2008 Yu et al.
 D569,837 S 5/2008 Baik et al.
 D583,346 S 12/2008 Jung et al.
 D583,796 S 12/2008 Tanaka
 D584,272 S 1/2009 Chung et al.
 D584,738 S 1/2009 Kim et al.
 7,554,812 B2 6/2009 Lynch et al.
 D598,887 S 8/2009 Xiao et al.
 D601,530 S 10/2009 Park et al.
 D603,834 S 11/2009 Lyman et al.
 D606,988 S 12/2009 Andre et al.
 D610,123 S 2/2010 Young et al.
 7,660,560 B2 2/2010 Zuo et al.
 D618,194 S 6/2010 Kim et al.
 D623,161 S 9/2010 Kwon et al.
 D626,437 S 11/2010 Lee et al.
 D627,777 S 11/2010 Akana et al.
 D627,778 S 11/2010 Akana et al.
 D629,787 S 12/2010 Lee
 D629,788 S 12/2010 Lee
 D630,181 S 1/2011 Xiao
 D631,051 S 1/2011 DeFronzo
 D631,454 S 1/2011 Cui
 7,869,206 B2 1/2011 Dabov et al.
 7,876,274 B2 1/2011 Hobson et al.
 D633,493 S 3/2011 Akana et al.
 7,911,774 B2 3/2011 Nakanishi et al.
 D636,392 S 4/2011 Akana et al.
 D636,770 S 4/2011 Li
 7,933,123 B2 4/2011 Wang et al.
 D637,596 S 5/2011 Akana et al.
 D637,988 S 5/2011 Jinkinson
 D638,835 S 5/2011 Akana et al.
 D641,017 S 7/2011 Meng
 D647,519 S 10/2011 Rothbaum et al.
 D652,015 S 1/2012 Han
 8,090,408 B2 1/2012 Ochi et al.
 8,106,836 B2 1/2012 Hill et al.
 D653,645 S 2/2012 Park
 D654,497 S 2/2012 Lee
 D655,701 S 3/2012 Bruette
 D656,134 S 3/2012 Melville et al.
 D659,132 S * 5/2012 Wen D14/250
 D671,109 S 11/2012 Rothbaum et al.
 D671,930 S 12/2012 Akana et al.
 D677,664 S * 3/2013 Akana et al. D14/439
 D677,666 S * 3/2013 Akana et al. D14/439

D678,262 S * 3/2013 Prato D14/250
 D678,290 S * 3/2013 Smith et al. D14/440
 D691,133 S * 10/2013 Akana et al. D14/341
 D697,918 S * 1/2014 Akana et al. D14/439
 D714,294 S * 9/2014 Dinh et al. D14/439
 D718,753 S * 12/2014 Akana et al. D14/248
 2004/0041504 A1 3/2004 Ozolins et al.
 2005/0059438 A1 3/2005 Jellicoe
 2005/0130715 A1 6/2005 Fujisawa
 2006/0094464 A1 5/2006 Kyou et al.
 2006/0111158 A1 5/2006 Hou
 2006/0111161 A1 5/2006 Cha et al.
 2006/0166713 A1 7/2006 Yeh et al.
 2006/0281501 A1 12/2006 Zuo et al.
 2009/0067141 A1 3/2009 Dabov et al.
 2009/0194660 A1 * 8/2009 Wu 248/346.03
 2009/0219259 A1 9/2009 Kwon
 2009/0247244 A1 10/2009 Mittleman et al.
 2009/0315690 A1 12/2009 Hwang et al.
 2010/0105452 A1 4/2010 Shin et al.
 2011/0050560 A1 3/2011 Foster et al.
 2011/0151945 A1 6/2011 Jiang et al.
 2011/0186325 A1 8/2011 Myers et al.
 2011/0188179 A1 8/2011 Myers et al.
 2011/0255218 A1 10/2011 Pakula et al.
 2011/0255252 A1 10/2011 Sloey et al.
 2011/0310029 A1 12/2011 Uttermann et al.
 2012/0008266 A1 1/2012 Nomura
 2012/0009974 A1 1/2012 Sunderland
 2012/0018325 A1 * 1/2012 Kim 206/320
 2012/0044123 A1 2/2012 Rothkopf et al.
 2012/0044637 A1 2/2012 Rothkopf et al.
 2012/0048589 A1 3/2012 Jol
 2012/0073115 A1 3/2012 Filson et al.
 2012/0099253 A1 4/2012 Tang et al.
 2012/0175165 A1 * 7/2012 Merz et al. 174/520
 2013/0321237 A1 * 12/2013 Woodhull et al. 343/872

FOREIGN PATENT DOCUMENTS

EM 000939731-0001 6/2008
 EM 000569157-0005 9/2008
 EM 001183461-0002 12/2009
 JP D132490 12/2009
 KR 30-0387130 7/2005
 KR 30-0396917 11/2005
 KR 30-0418547 7/2006
 KR 30-0420200 7/2006
 KR 30-0550428 1/2010
 KR 30-0553546 2/2010

OTHER PUBLICATIONS

Ricker, "LG's KE850 Prada official: iPhone says, wha?", (<http://www.engadget.com/2007/01/18/lgs-ke850-prada-official-iphone-says-wha/>), Engadget.com, published Jan. 18, 2007, 4 pages.
 Patel, "The HP Slate", (<http://www.engadget.com/2010/01/06/the-hp-slate/>), Engadget.com, published Jan. 6, 2010, 4 pages.
 U.S. Appl. No. 29/384,916, filed Feb. 4, 2011, inventors Akana et al., "Component of an Electronic Device" (not published).
 U.S. Appl. No. 29/376,052, filed Sep. 30, 2010, inventors Akana et al., "Component of an Electronic Device" (not published).
 U.S. Appl. No. 29/423,180, filed May 29, 2012, inventors Akana et al., "Electronic Device" (not published).
 U.S. Appl. No. 29/431,553, filed Sep. 7, 2012, inventors Akana et al., "Electronic Device" (not Published).

* cited by examiner

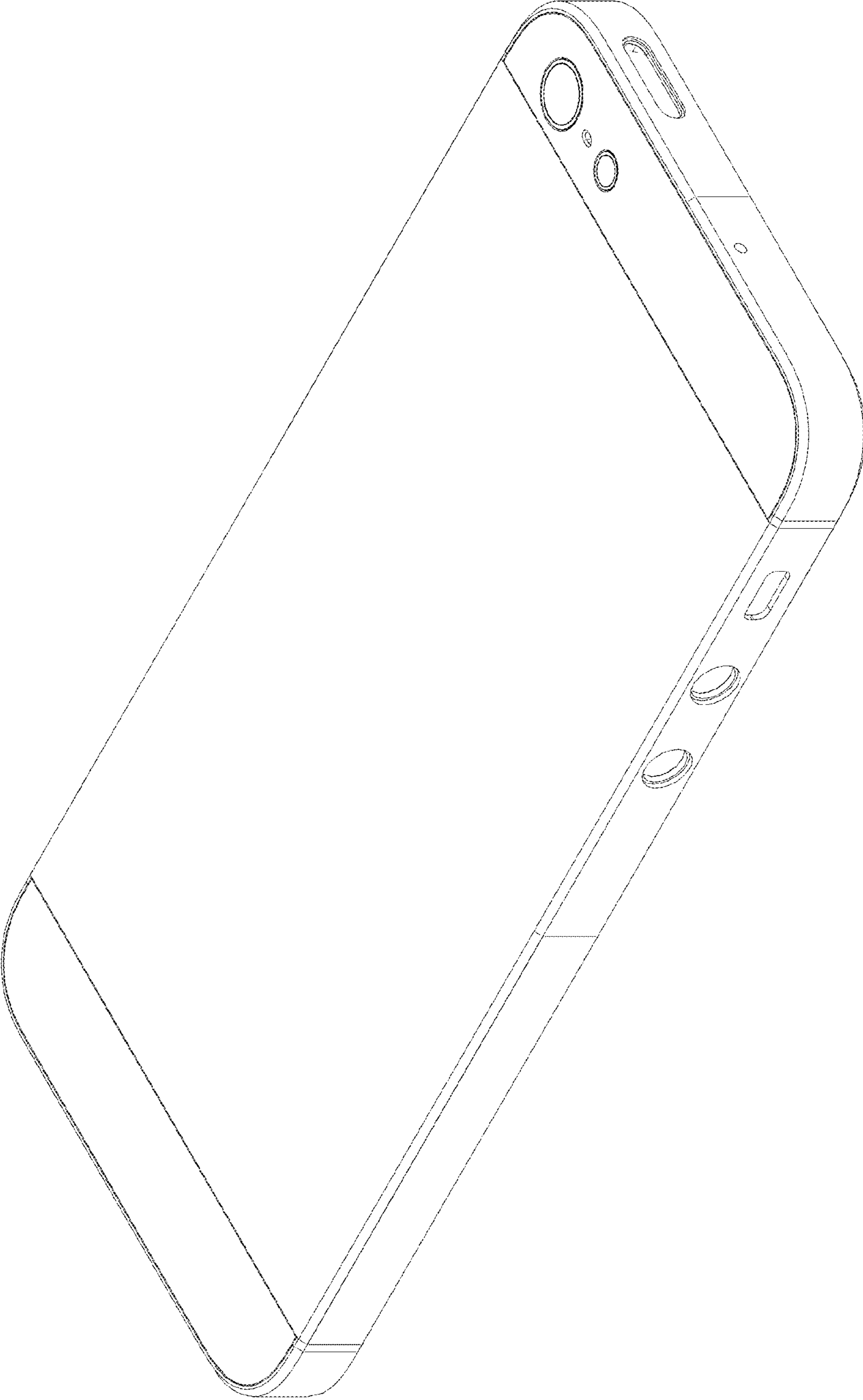


FIG. 1

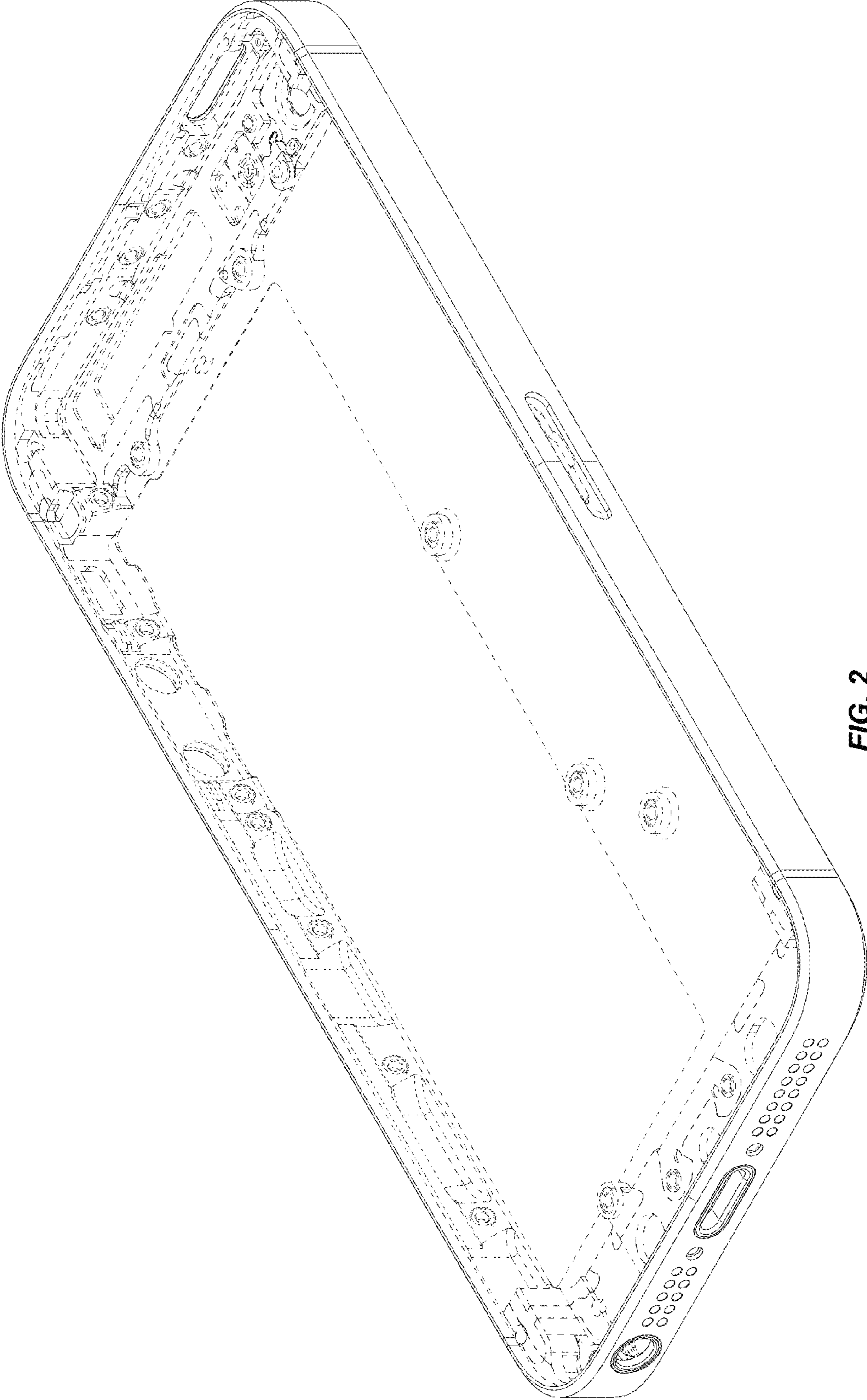


FIG. 2

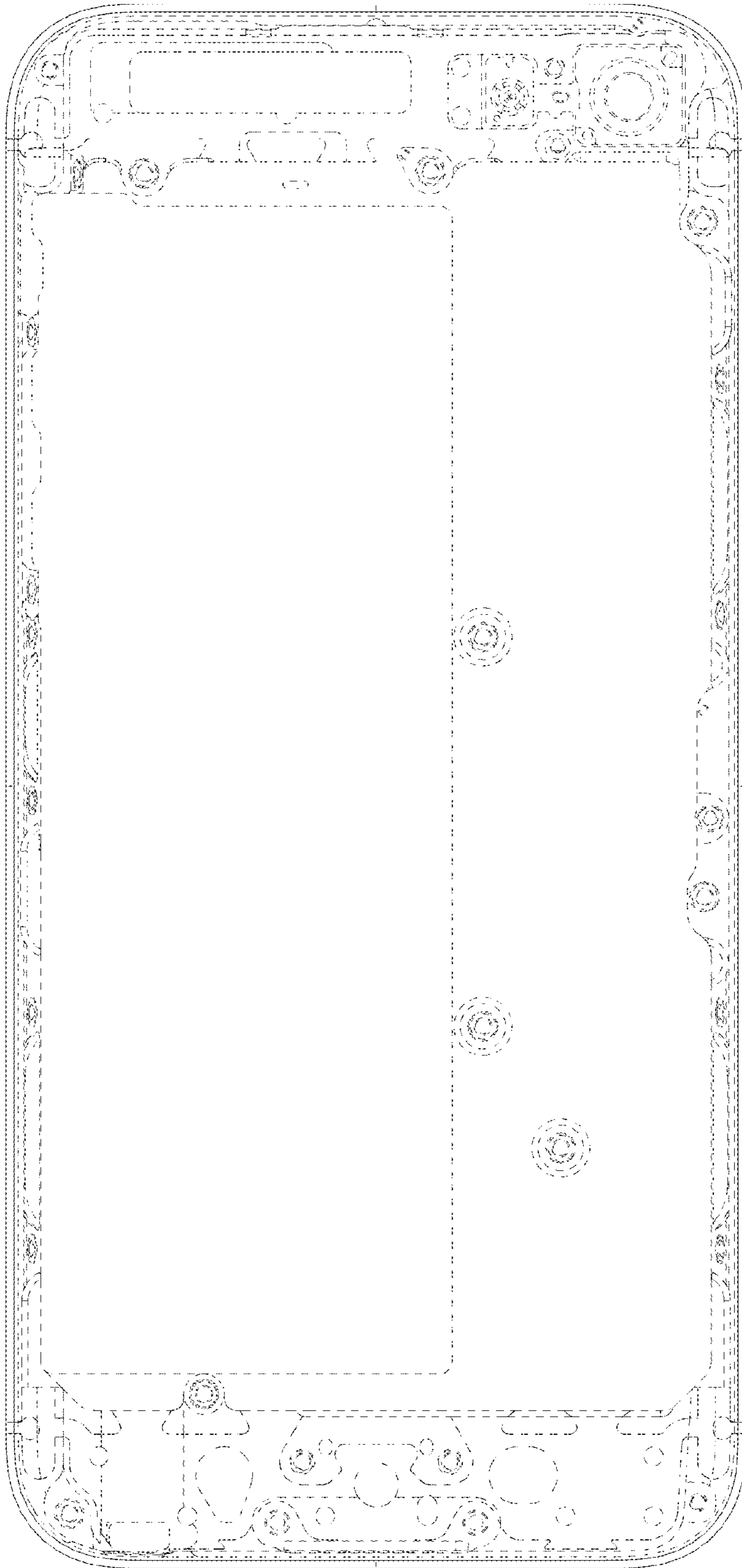


FIG. 3

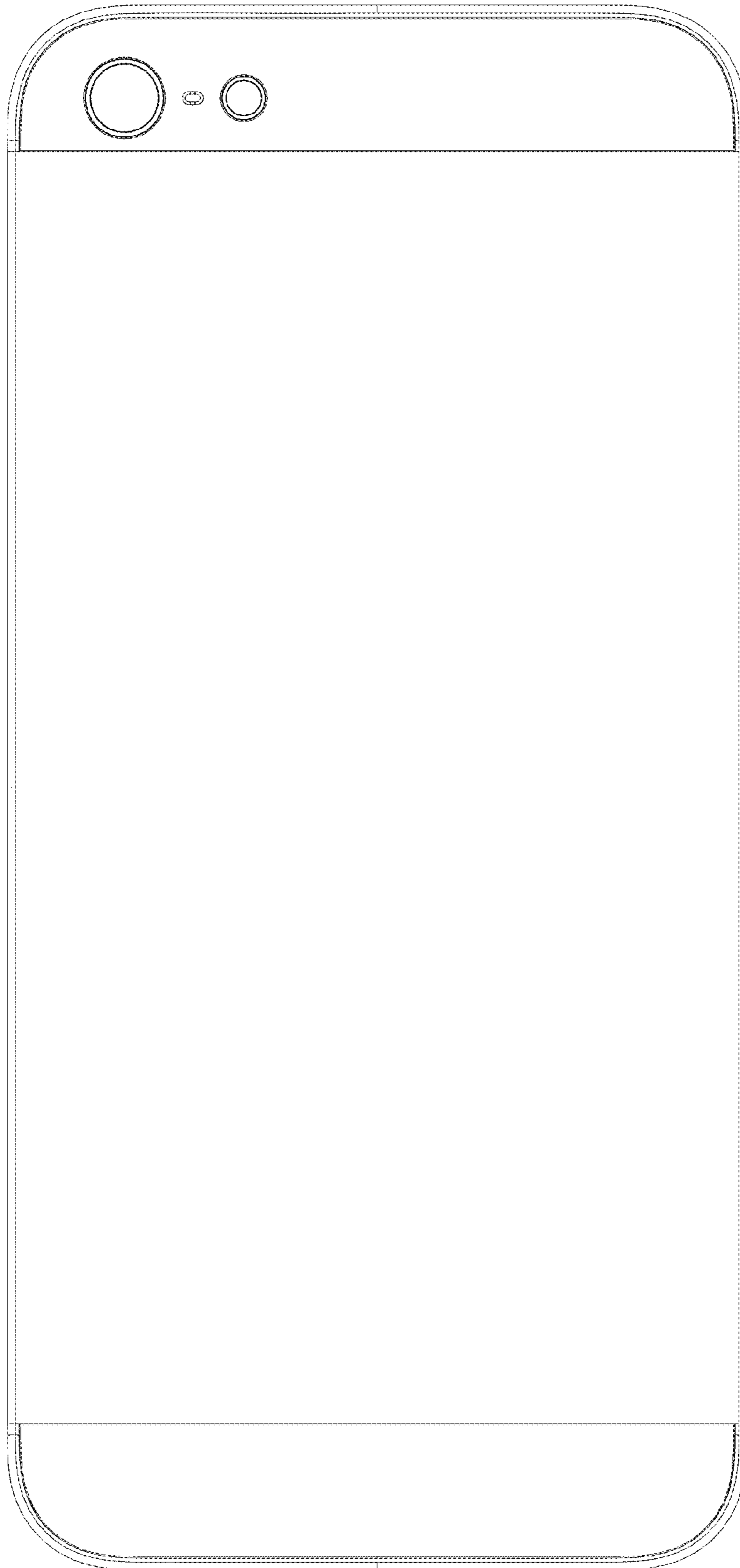


FIG. 4

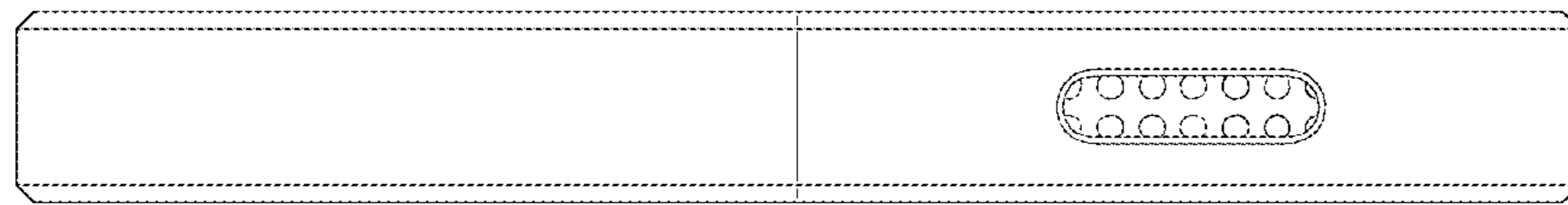


FIG. 5

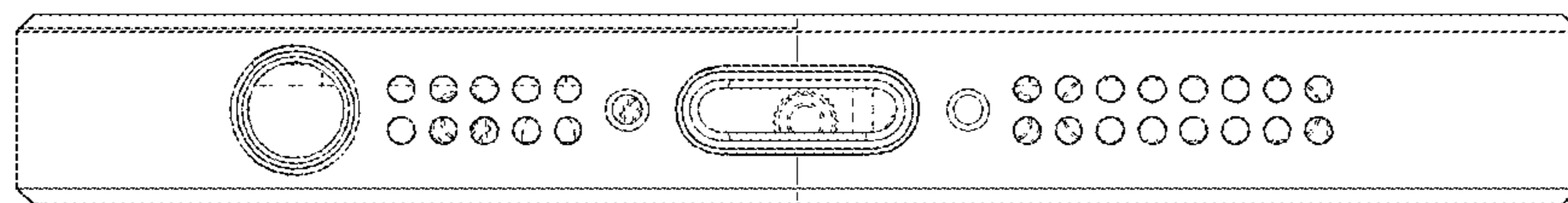


FIG. 6

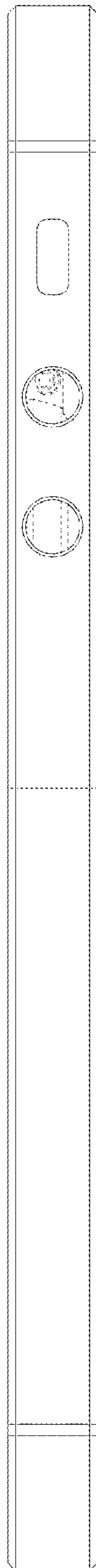


FIG. 7



FIG. 8