

US00D733143S

(12) **United States Design Patent**
Yun

(10) **Patent No.:** **US D733,143 S**
(45) **Date of Patent:** **** Jun. 30, 2015**

(54) **DOCKING STATION FOR ELECTRONIC DEVICE**

(71) Applicant: **Samsung Electronics Co., Ltd.**,
Suwon-si (KR)

(72) Inventor: **Yeo-Wan Yun**, Sungnam-Si (KR)

(73) Assignee: **Samsung Electronics Co., Ltd.**,
Suwon-si (KR)

(**) Term: **14 Years**

(21) Appl. No.: **29/453,865**

(22) Filed: **May 3, 2013**

(30) **Foreign Application Priority Data**

Nov. 16, 2012 (KR) 30-2012-0054828

(51) **LOC (10) Cl.** **14-02**

(52) **U.S. Cl.**
USPC **D14/434**

(58) **Field of Classification Search**
USPC D14/432-434, 314, 204; D13/108, 146;
D23/314, 328; 248/346.03;
361/679.41, 679.31, 679.32, 679.4,
361/679.43; 70/58; D21/333; 320/112
See application file for complete search history.

(56) **References Cited**

U.S. PATENT DOCUMENTS

D530,273 S * 10/2006 Solland D13/108
D571,788 S * 6/2008 King et al. D14/217
D598,012 S * 8/2009 Kokkonen et al. D14/240

D612,383 S * 3/2010 Wen D14/434
D622,274 S * 8/2010 Green D14/447
D623,641 S * 9/2010 Harden et al. D14/253
D626,559 S * 11/2010 Green D14/447
D641,367 S * 7/2011 Morabito D14/434
D659,696 S * 5/2012 Lanza D14/447
D702,687 S * 4/2014 Chu D14/434
D703,215 S * 4/2014 Alesi et al. D14/447
D708,166 S * 7/2014 Lim et al. D14/209.1

* cited by examiner

Primary Examiner — Ian Simmons

Assistant Examiner — Harold Blackwell, II

(74) *Attorney, Agent, or Firm* — NSIP Law

(57) **CLAIM**

The ornamental design for a docking station for an electronic device, as shown and described.

DESCRIPTION

FIG. 1 is a perspective view of a docking station for an electronic device, showing my new design;
FIG. 2 is a front view thereof;
FIG. 3 is a rear view thereof;
FIG. 4 is a left-side view thereof;
FIG. 5 is a right-side view thereof;
FIG. 6 is a top plan view thereof;
FIG. 7 is a bottom plan view thereof; and,
FIG. 8 is a perspective view thereof, in which an electronic device in broken line that docks with the docking station illustrates an example environment.
The broken lines in the drawings illustrate portions of a docking station for electronic device which form no part of the claimed design. The shaded lines in the figures show contour and not surface ornamentation.

1 Claim, 6 Drawing Sheets

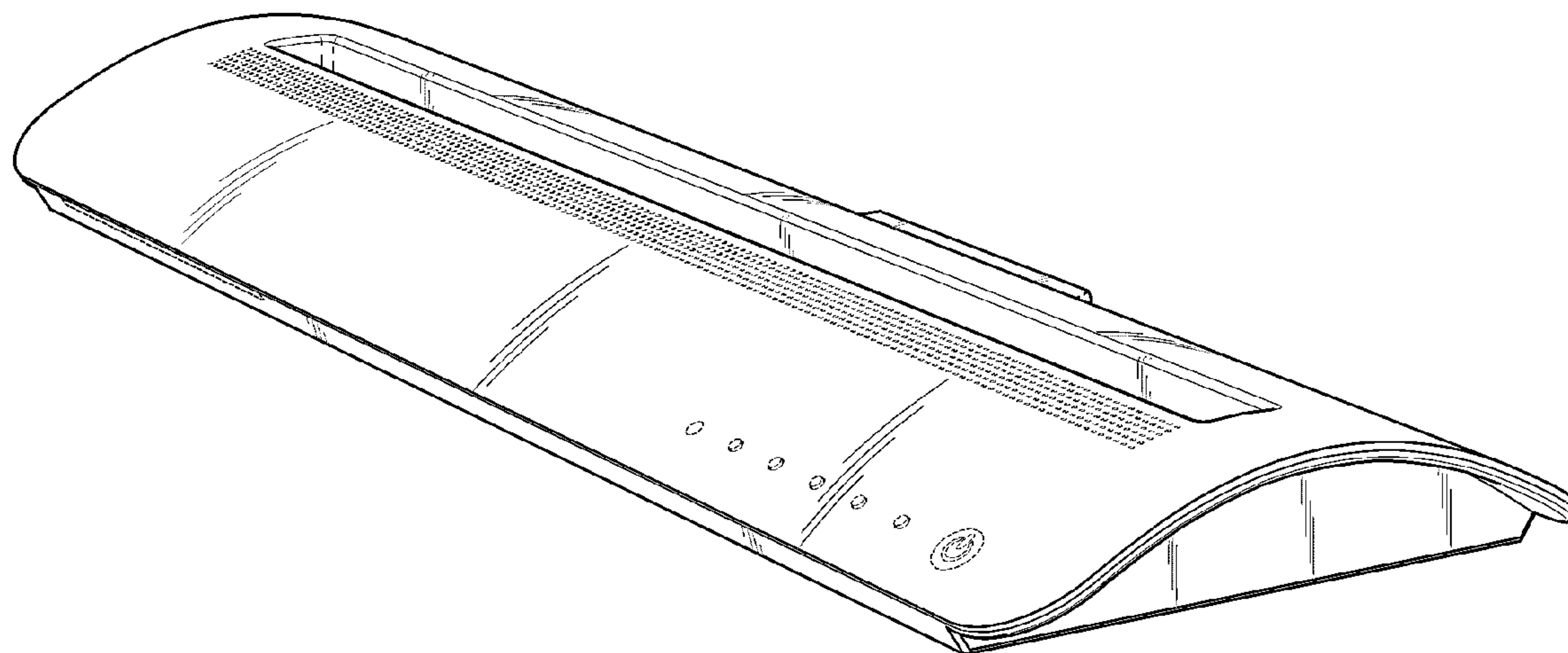


FIG. 1

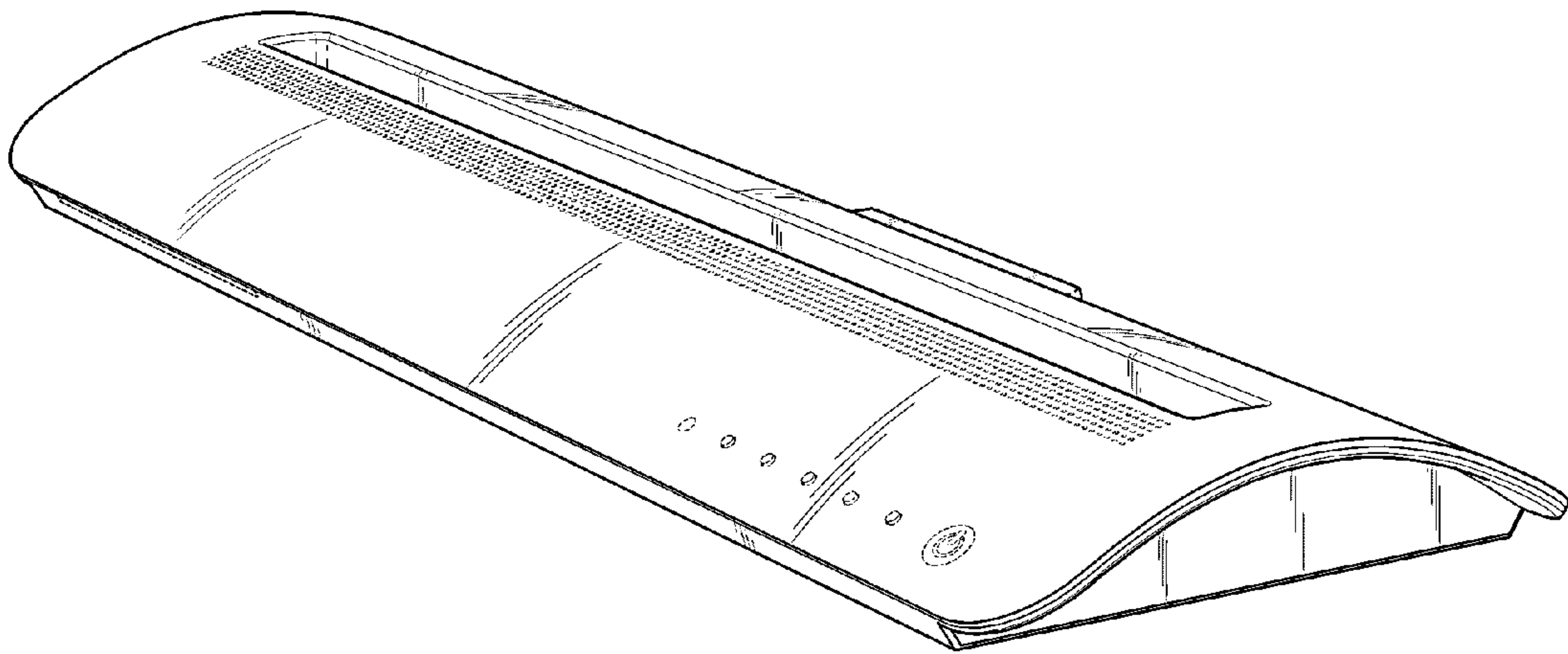


FIG. 2

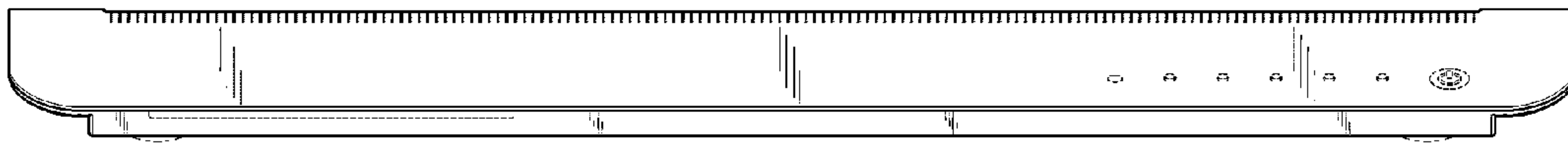


FIG. 3



FIG. 4

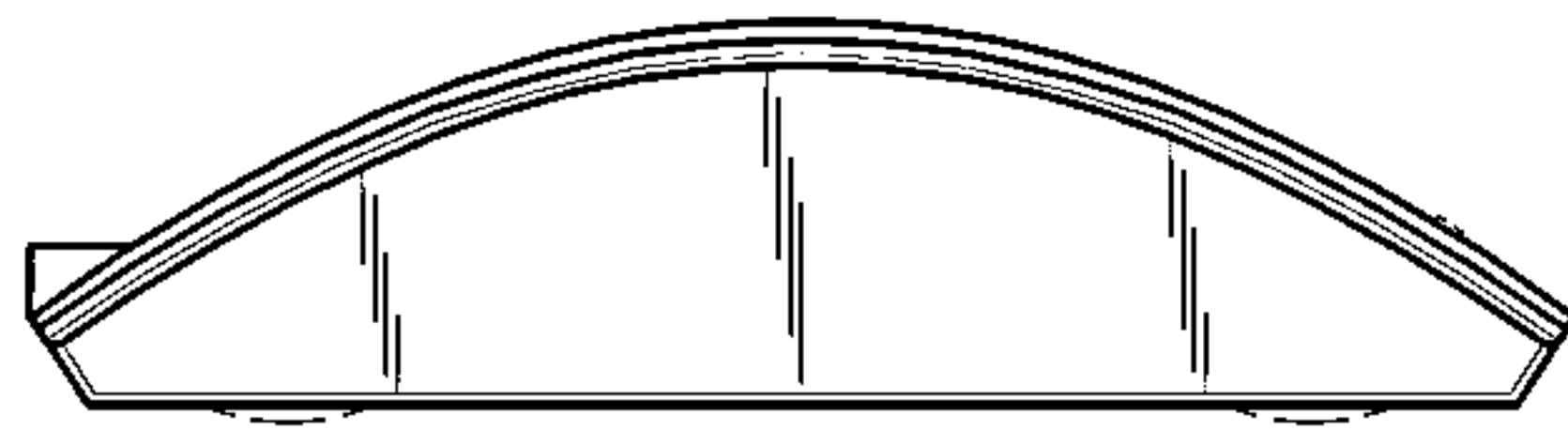


FIG. 5

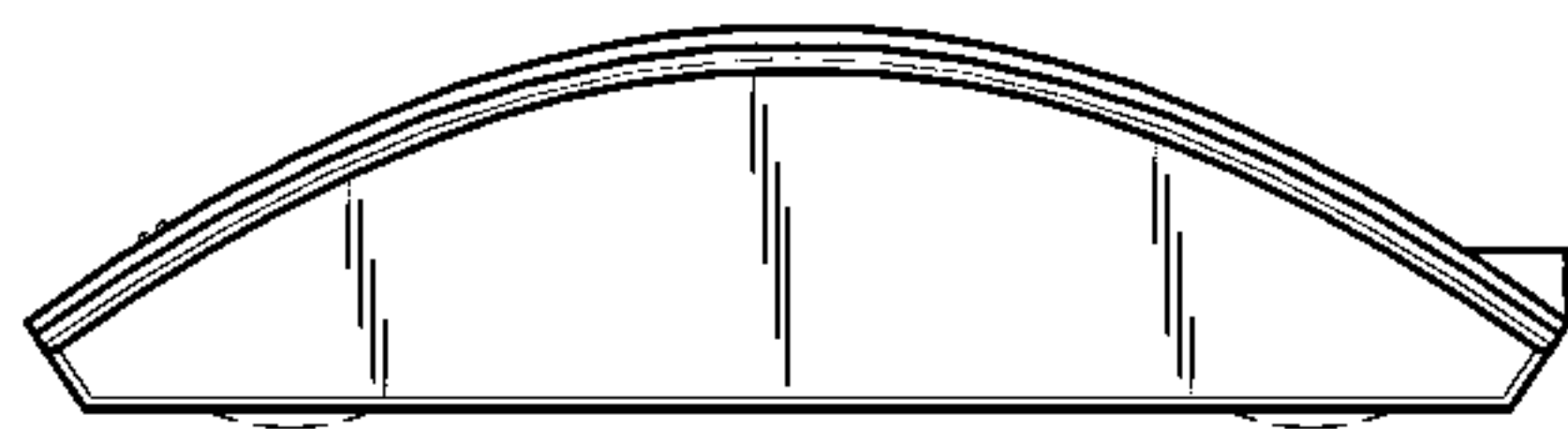


FIG. 6

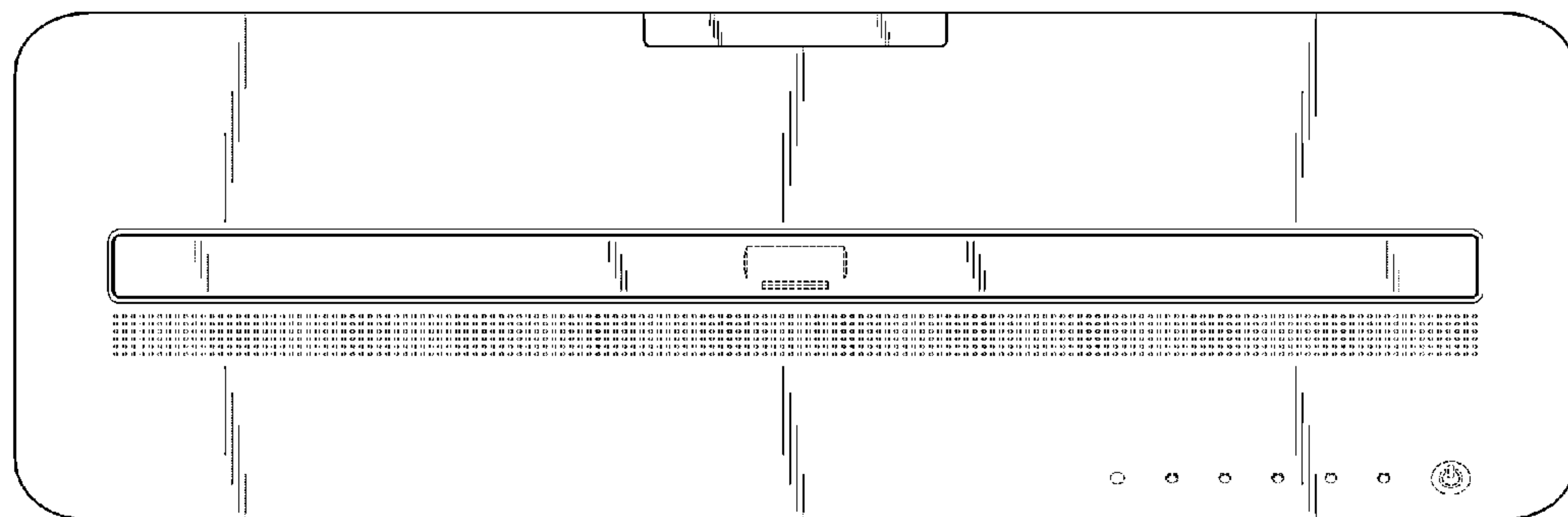


FIG. 7

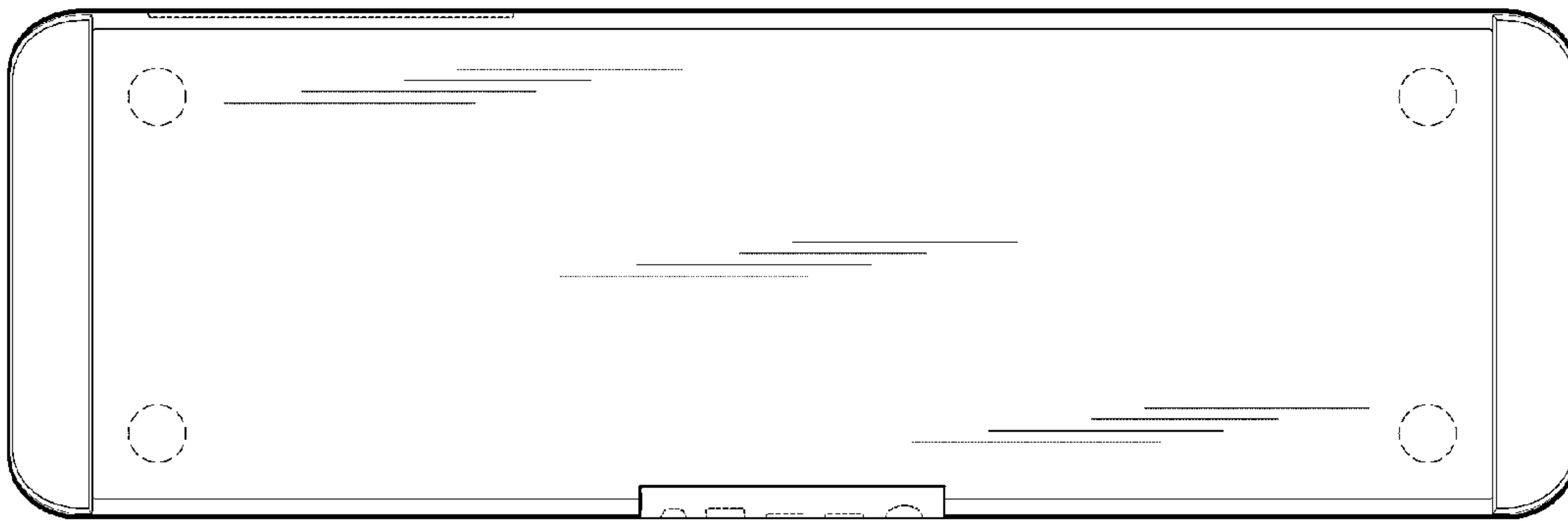


FIG. 8

