



US00D733142S

(12) **United States Design Patent**
Solomon et al.

(10) **Patent No.:** **US D733,142 S**
(45) **Date of Patent:** **** Jun. 30, 2015**

(54) **CABLE**

(71) Applicant: **Pebble Technology Corp.**, Palo Alto, CA (US)

(72) Inventors: **Mark Charles Solomon**, San Jose, CA (US); **Christopher Paul Ioffreda**, San Francisco, CA (US); **Troy Garrett Tye**, San Jose, CA (US); **Steven William Johns**, Vancouver (CA)

(73) Assignee: **Pebble Technology Corp.**, Palo Alto, CA (US)

(**) Term: **14 Years**

(21) Appl. No.: **29/516,935**

(22) Filed: **Feb. 6, 2015**

(51) **LOC (10) Cl.** **14-02**

(52) **U.S. Cl.**
USPC **D14/433**

(58) **Field of Classification Search**
USPC D14/356-358, 383-385, 420, 426, 427, D14/432-439, 447, 453, 454, 217, 253, D14/299; D13/107, 108, 133, 146, 147, D13/152, 154, 156, 158, 162, 162.1, 168, D13/173, 177, 153; 439/131, 172-174, 373, 439/378, 607.41, 607.55, 607.34, 40; 361/679.08, 679.56, 679.21, 679.4; 174/359
CPC H01R 24/64; H01R 24/62; H01R 12/714; H01R 13/506; H01R 13/6658

See application file for complete search history.

(56) **References Cited**

U.S. PATENT DOCUMENTS

D298,121 S	10/1988	Furuhashi
D381,629 S	7/1997	Goto
D416,233 S	11/1999	Tsai
D416,542 S	11/1999	Tsai
D416,543 S	11/1999	Tsai
D416,868 S	11/1999	Tsai
D416,869 S	11/1999	Tsai
D447,734 S	9/2001	Nakashima et al.
D447,735 S	9/2001	Nakashima et al.
D447,736 S	9/2001	Nakashima et al.
D448,734 S	10/2001	Nakashima et al.
D449,582 S	10/2001	Nakashima et al.
D450,041 S	11/2001	Nakashima et al.
D454,542 S	3/2002	Nakashima et al.
D454,841 S	3/2002	Nakashima et al.
D513,605 S	1/2006	Lin
D518,791 S	4/2006	Kiely

(Continued)

Primary Examiner — Austin Murphy

(74) *Attorney, Agent, or Firm* — Wong, Cabello, Lutsch, Rutherford & Bruculeri, LLP

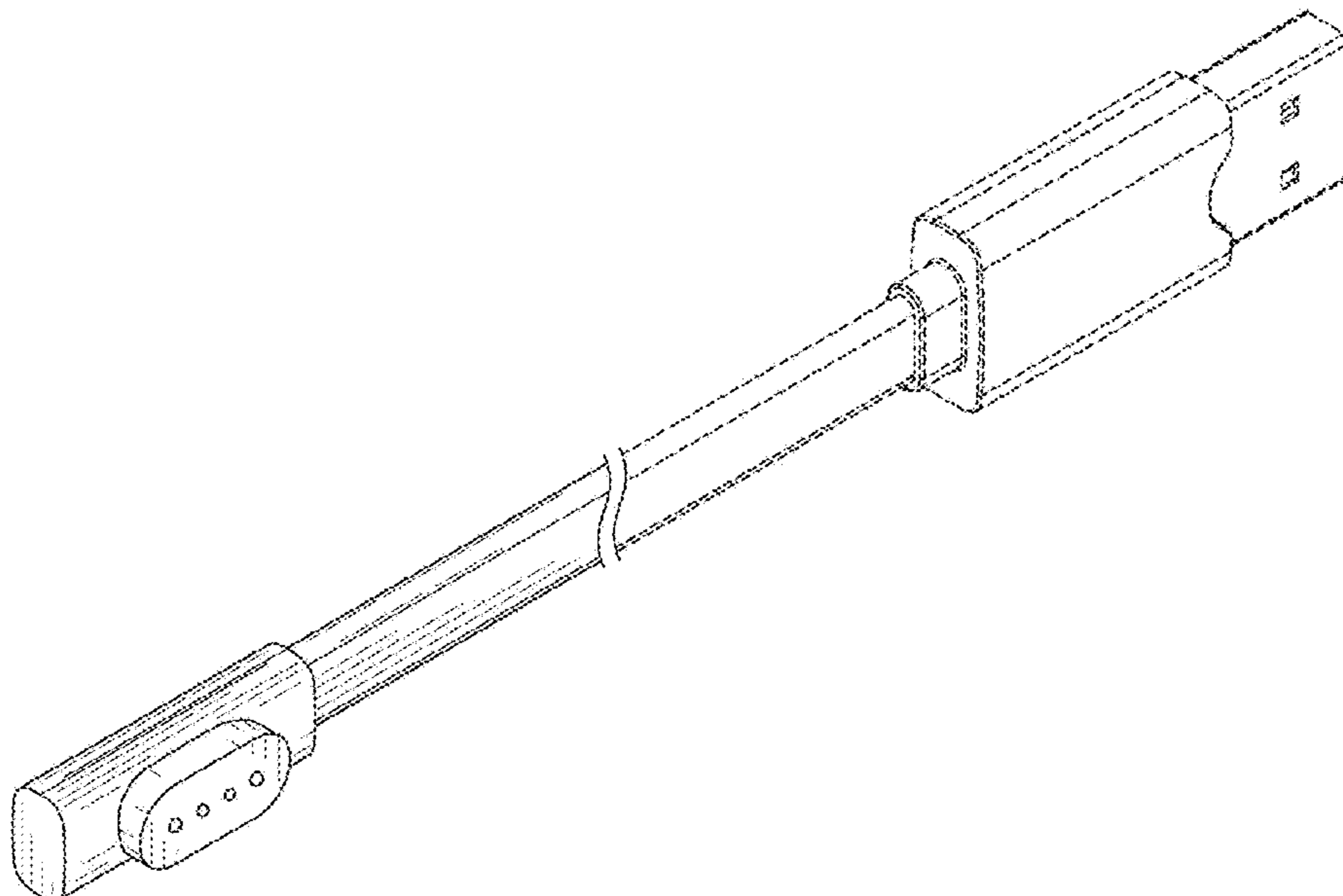
(57) **CLAIM**

The ornamental design for a cable, as shown and described.

DESCRIPTION

FIG. 1 is a perspective view showing a top, a front, and a left side of a cable according to our new design; FIG. 2 is a perspective view showing the top, the front, and a right side of the cable; FIG. 3 is an elevational view of the left side of the cable; FIG. 4 is an elevational view of the front of the cable; FIG. 5 is an elevational view of a back of the cable; FIG. 6 is an elevational view of the right side of the cable; and FIG. 7 is a plan view of the top of the cable; and, FIG. 8 is a plan view of a bottom of the cable. The broken lines showing in FIGS. 1 through 8 are for illustrative purposes only and form no part of the claimed design.

1 Claim, 3 Drawing Sheets



(56)

References Cited

U.S. PATENT DOCUMENTS

D525,199 S	7/2006	Lin	
D548,700 S *	8/2007	Ledbetter et al.	D13/154
D552,604 S *	10/2007	Andre et al.	D14/242
D553,089 S	10/2007	Victor	
D555,105 S	11/2007	Victor	
D559,183 S	1/2008	Victor	
D564,971 S	3/2008	Victor	
D576,105 S	9/2008	Victor	
D586,752 S	2/2009	Diamond et al.	
D586,753 S	2/2009	Diamond et al.	
D599,800 S *	9/2009	Klein et al.	D14/433
D600,652 S *	9/2009	Hong et al.	D13/154
D604,725 S *	11/2009	Chen	D14/240
D619,963 S *	7/2010	Hou	D13/133
D623,144 S	9/2010	Amidon	
D623,146 S	9/2010	Amidon et al.	
D636,337 S	4/2011	Smith et al.	
D648,726 S *	11/2011	Behar et al.	D14/435.1
D680,076 S *	4/2013	McManigal	D13/147
D680,539 S *	4/2013	Kim	D14/433
D682,835 S *	5/2013	Daniel	D14/433
D684,976 S *	6/2013	Akana et al.	D14/433
D692,390 S *	10/2013	Smith et al.	D13/153
D694,243 S *	11/2013	Akana et al.	D14/433

* cited by examiner

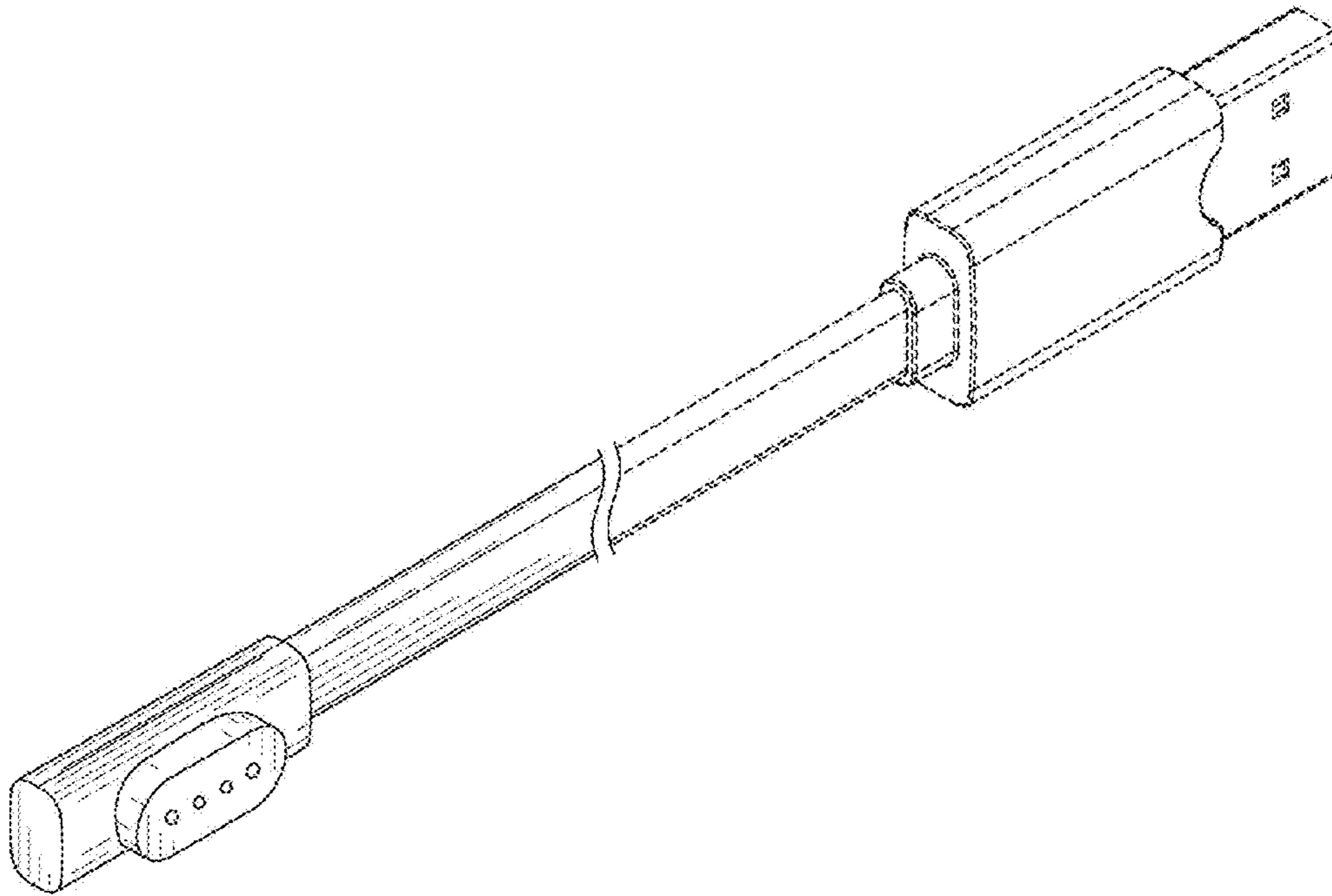


FIG. 1

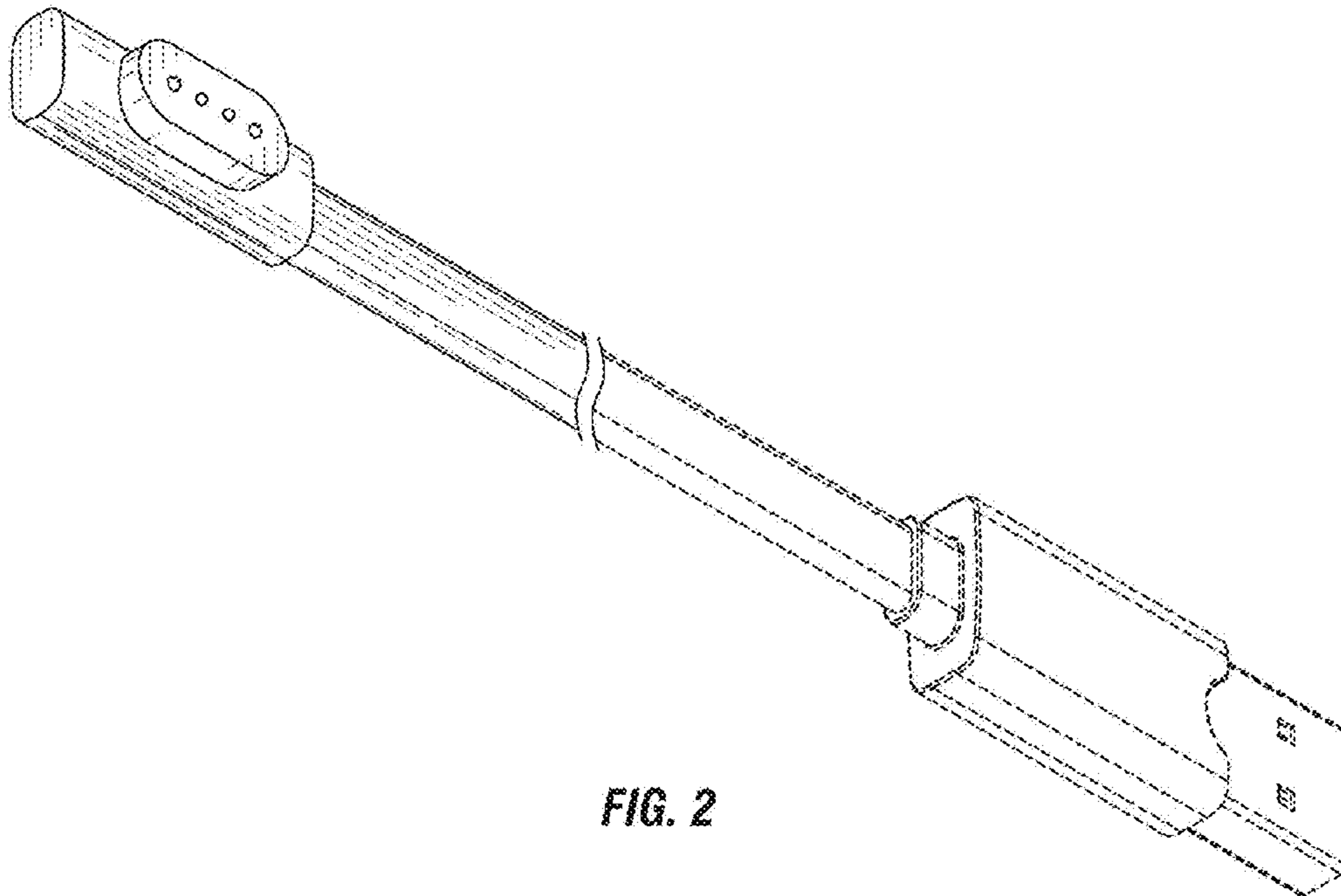


FIG. 2

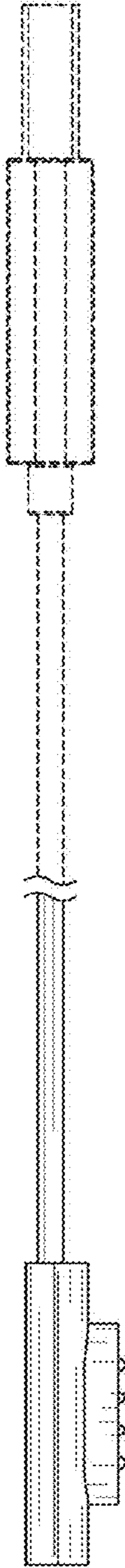


FIG. 3

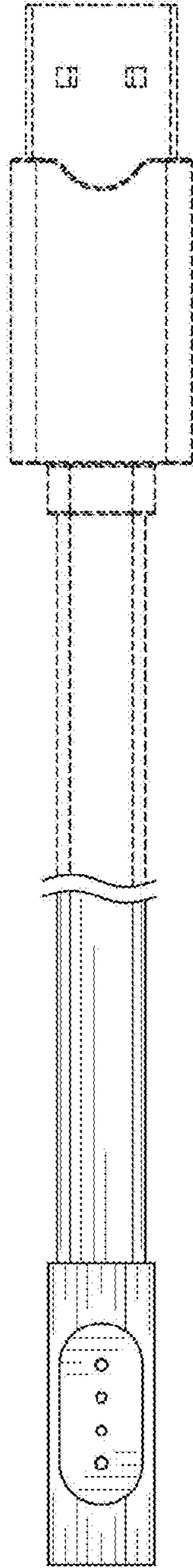


FIG. 4

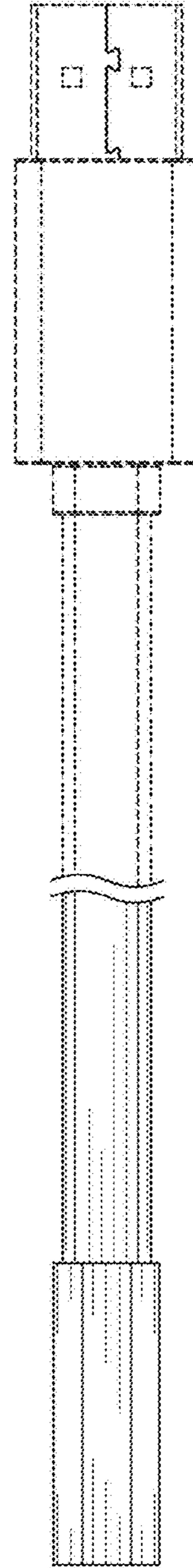


FIG. 5

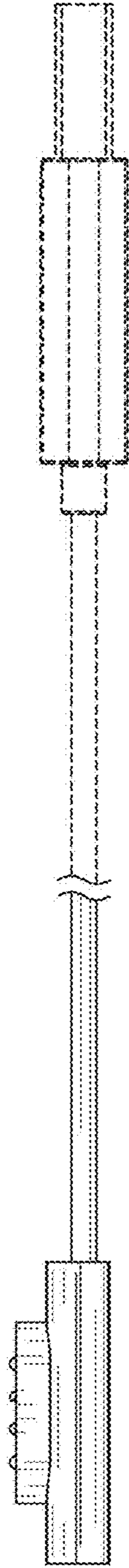


FIG. 6

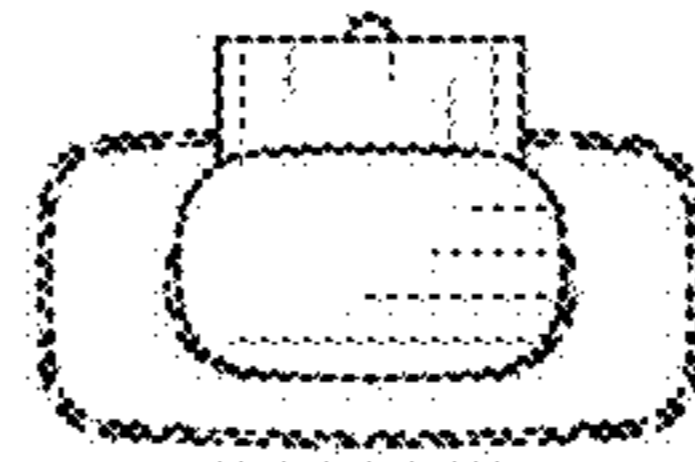


FIG. 7



FIG. 8