



US00D733141S

(12) **United States Design Patent**
Ruhland et al.

(10) **Patent No.:** **US D733,141 S**
(45) **Date of Patent:** **** Jun. 30, 2015**

(54) **LASER SCANNER**

(71) Applicant: **FARO Technologies, Inc.**, Lake Mary, FL (US)

(72) Inventors: **Axel Ruhland**, Stuttgart (DE); **Rolf Heidemann**, Stuttgart (DE); **Reinhard Becker**, Ludwigsburg (DE); **Martin Ossig**, Tamm (DE)

(73) Assignee: **FARO TECHNOLOGIES, INC.**, Lake Mary, FL (US)

(**) Term: **14 Years**

(21) Appl. No.: **29/501,910**

(22) Filed: **Sep. 10, 2014**

(51) **LOC (10) Cl.** **14-02**

(52) **U.S. Cl.**

USPC **D14/426**; D14/420

(58) **Field of Classification Search**

USPC D14/420, 426-430, 218, 341, 371, 347, D14/147, 138, 172, 191, 188, 137, 240, 299, D14/434, 149, 253; D24/155, 186; 340/539.32, 539.13, 815.42, 825.49, 340/5.52-5.53, 5.8, 5.81-5.83; D10/78, D10/104, 116; D13/168, 108; 235/383, 235/472.01-472.03, 462.43, 462.45, 454, 235/460, 462.3, 462.01; D21/329; 382/115, 382/124, 125-127; 902/3-5

CPC G06F 1/626; G06F 1/1626; G06F 1/1656; G06F 1/1632; G06F 1/1684; G06F 1/1635; G06F 8/63; G06F 17/30091; G06F 9/4401; G06K 7/10881; G06K 7/1098; G06K 7/10722; G06K 7/1404; G06K 7/0004; G06K 7/10633; G06K 7/10851; G06K 7/1091; G06K 7/1092; G06K 7/1093; G06K 7/10; G06K 7/109; G06K 7/1417; G06K 9/228; G06K 17/0022; G06K 17/00; G06K 2207/1011; G06K 2201/1013; G06K 2201/1016; G06K 2201/1018; G06K 2017/0051; G06K 2017/0067; G06K 2007/10524; G07G 1/0081; G07G 1/009; G06Q 20/20; G06Q 20/201-20/203; G06Q 20/30; G06Q 20/32; G06Q 20/322; G06Q 20/4014; G06Q 10/087;

H04N 1/00127; H04N 1/00135; H04N 1/00326; H04N 1/00334; H04N 1/00307; H04N 1/107; H04N 2201/0084; H04N 2101/00; H04M 1/0249; H04M 1/0262; H04M 1/0266; H04M 1/18; H04M 1/23; H04M 1/236; H04B 1/3827; H04B 1/3833; H04B 1/3877; H04B 1/3883; H04B 1/3888; H04B 2001/3894; H01M 2/1066

See application file for complete search history.

(56) **References Cited**

U.S. PATENT DOCUMENTS

1,538,758 A 5/1925 Taylor
D416,883 S * 11/1999 Wagner et al. D14/426

(Continued)

FOREIGN PATENT DOCUMENTS

WO 2007043036 4/2007
WO 2007096893 8/2007

(Continued)

Primary Examiner — Susan Moon Lee

(74) *Attorney, Agent, or Firm* — Cantor Colburn LLP

(57) **CLAIM**

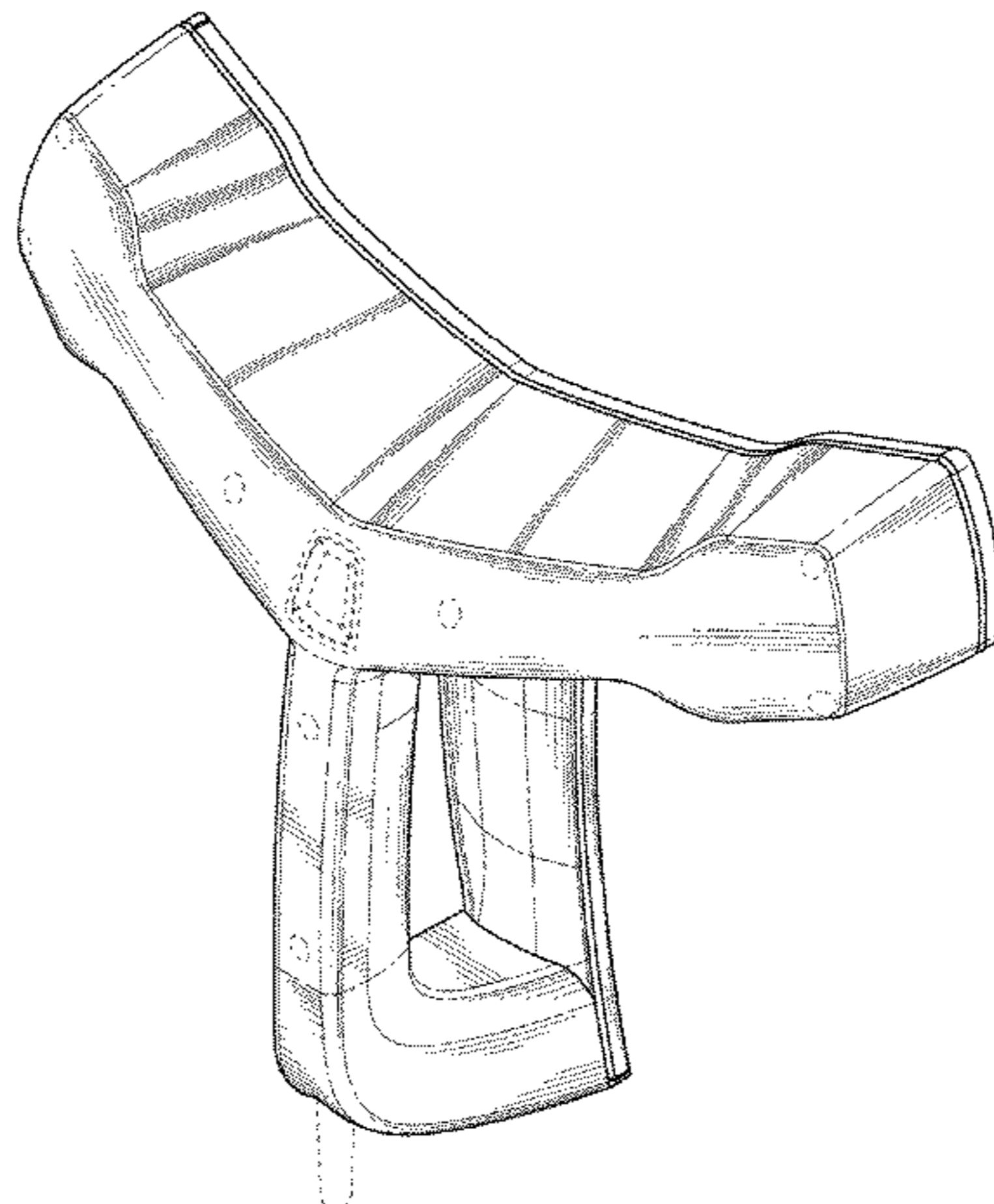
We claim, the ornamental design for a laser scanner, as shown and described.

DESCRIPTION

FIG. 1 is a front, top perspective view of a laser scanner; FIG. 2 is a bottom, side perspective view thereof; FIG. 3 is a front elevation view thereof; FIG. 4 is a rear view thereof; FIG. 5 is a side elevation view thereof; FIG. 6 is an opposite side elevation view thereof; FIG. 7 is a top view thereof; and, FIG. 8 is a bottom view thereof.

Broken lines and entirely unshaded portions contained within broken line are not claimed.

1 Claim, 6 Drawing Sheets



(56)

References Cited

U.S. PATENT DOCUMENTS

D419,545	S *	1/2000	Krantz et al.	D14/426
D419,546	S *	1/2000	Krantz et al.	D14/426
D455,430	S *	4/2002	Krantz	D14/426
D455,750	S *	4/2002	Krantz	D14/426
D493,796	S *	8/2004	Lin et al.	D14/426
D531,632	S *	11/2006	Brandon et al.	D14/426
7,433,024	B2	10/2008	Garcia et al.		
D581,931	S *	12/2008	Pine	D14/426
8,150,142	B2	4/2012	Freedman et al.		
D667,010	S *	9/2012	Firth et al.	D14/426
2009/0183125	A1	7/2009	Magal et al.		
2009/0185274	A1	7/2009	Shpunt		
2010/0007717	A1	1/2010	Spektor et al.		
2010/0020078	A1	1/2010	Shpunt		
2010/0118123	A1	5/2010	Freedman et al.		

2010/0201811	A1	8/2010	Garcia et al.
2010/0225746	A1	9/2010	Shpunt et al.
2010/0290698	A1	11/2010	Freedman et al.
2011/0096182	A1	4/2011	Cohen et al.
2011/0164032	A1	7/2011	Shadmi

FOREIGN PATENT DOCUMENTS

WO	2007105205	9/2007
WO	2007105215	9/2007
WO	2007132451	11/2007
WO	2008087652	7/2008
WO	2008120217	10/2008
WO	2008155770	12/2008
WO	2009093228	7/2009
WO	2010004542	1/2010

* cited by examiner

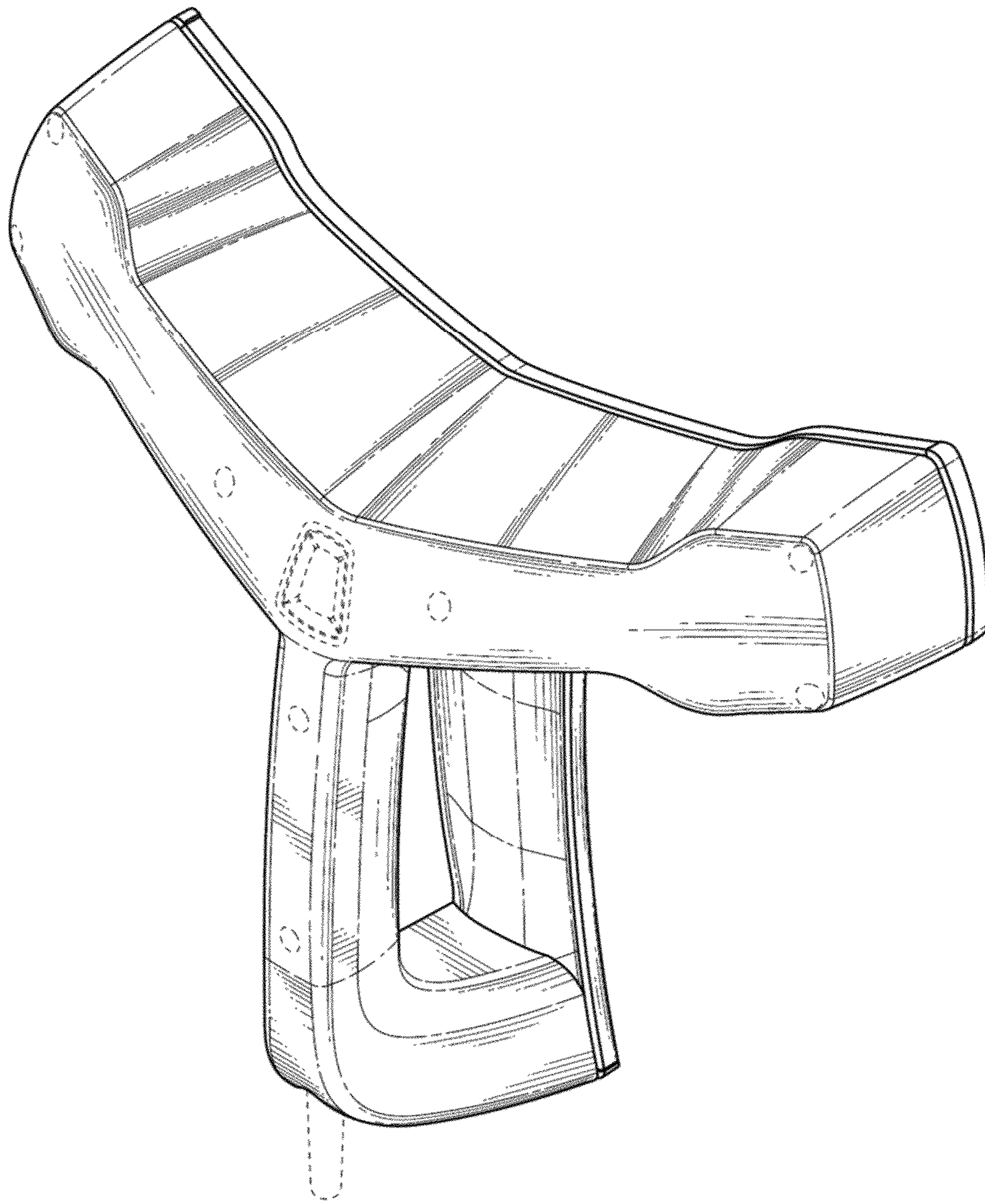


FIG. 1

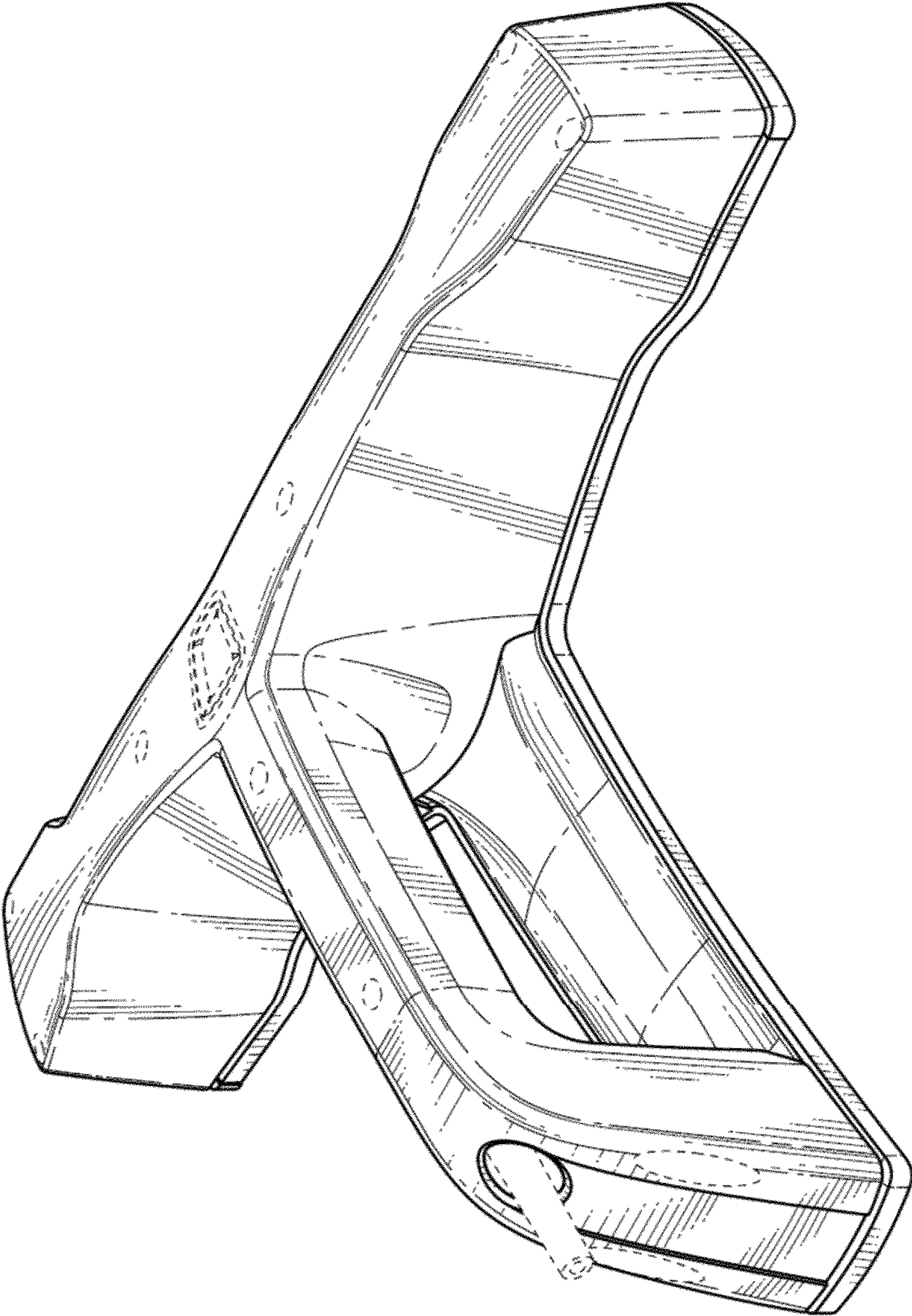


FIG. 2

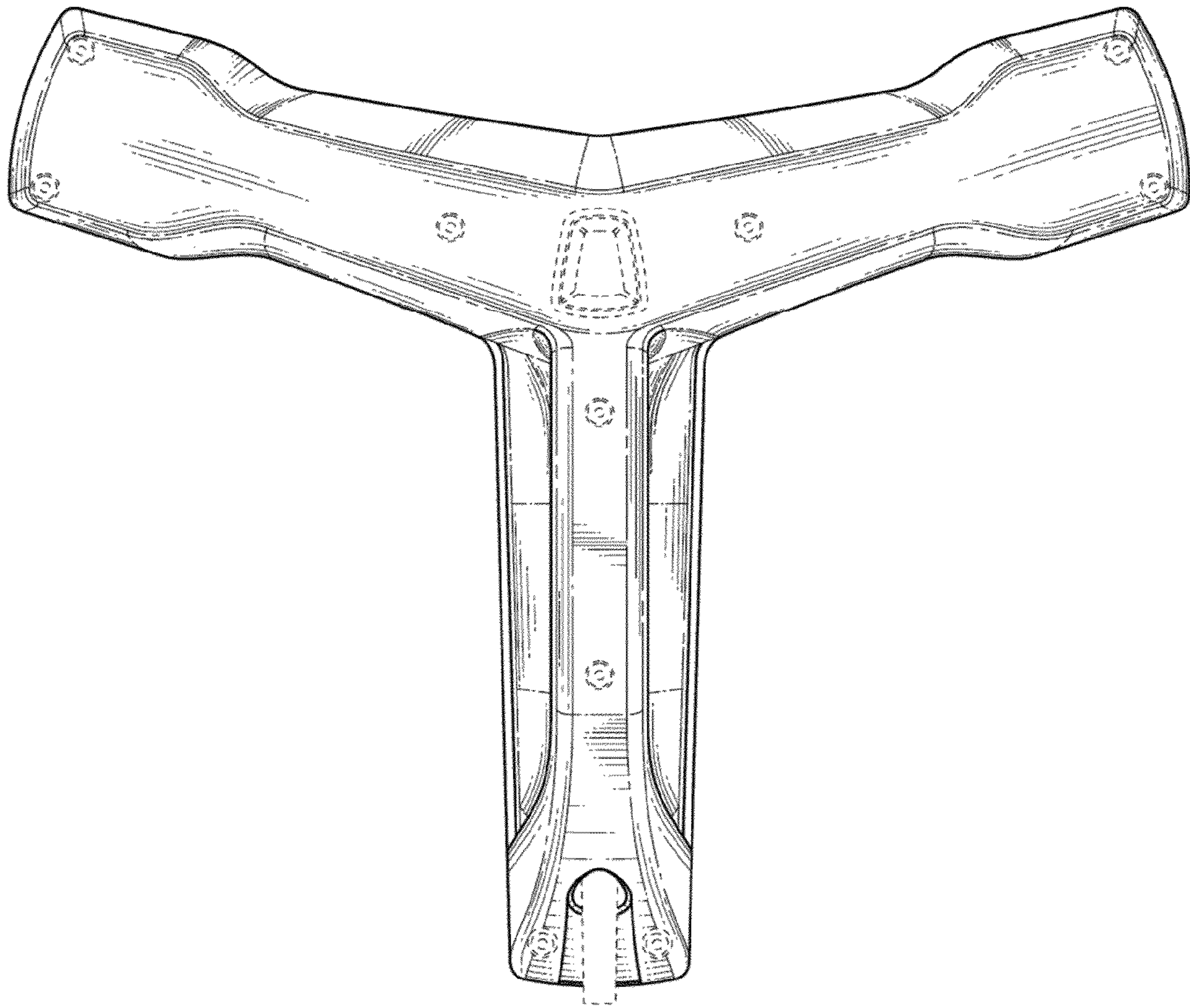


FIG. 3

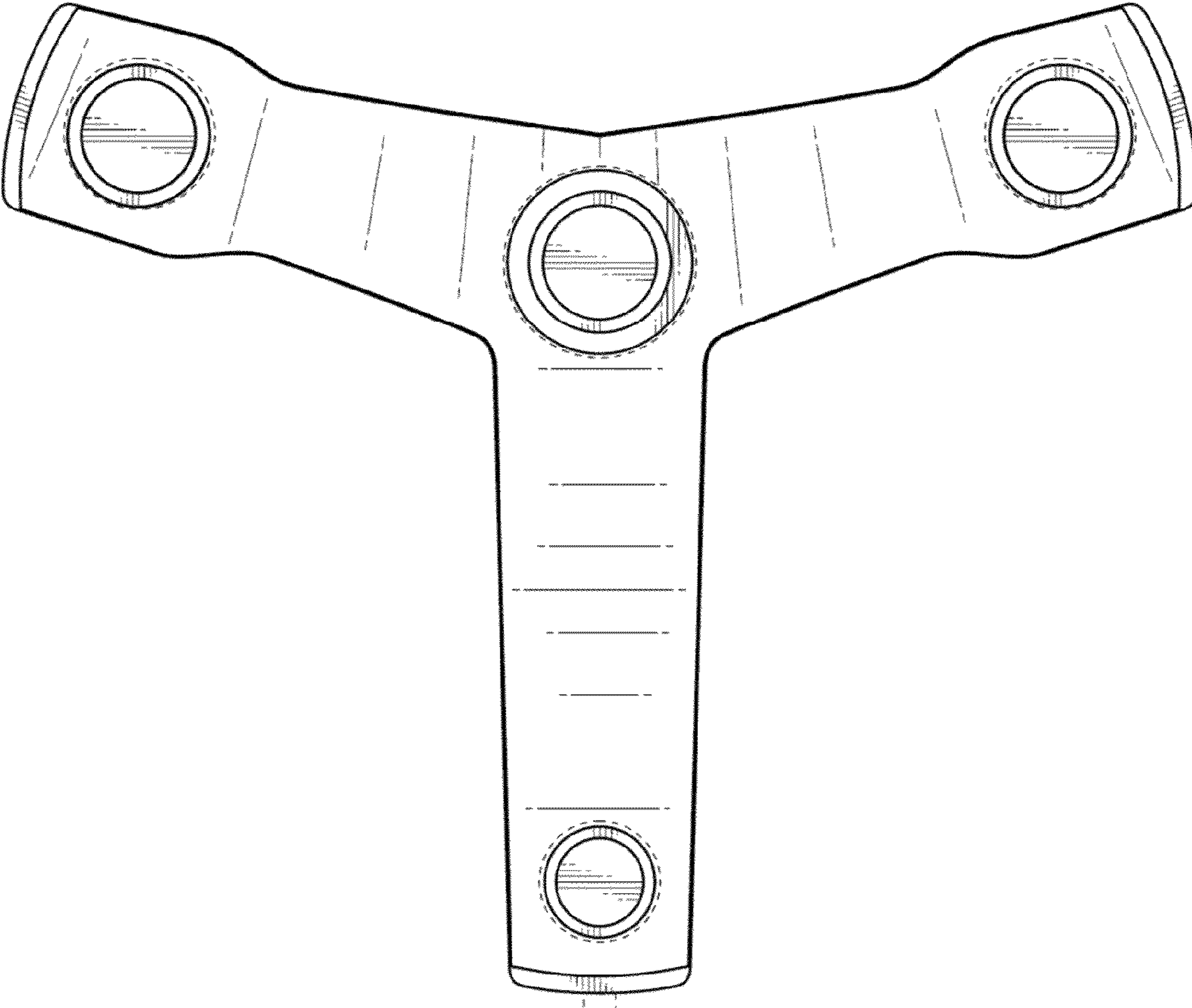


FIG. 4

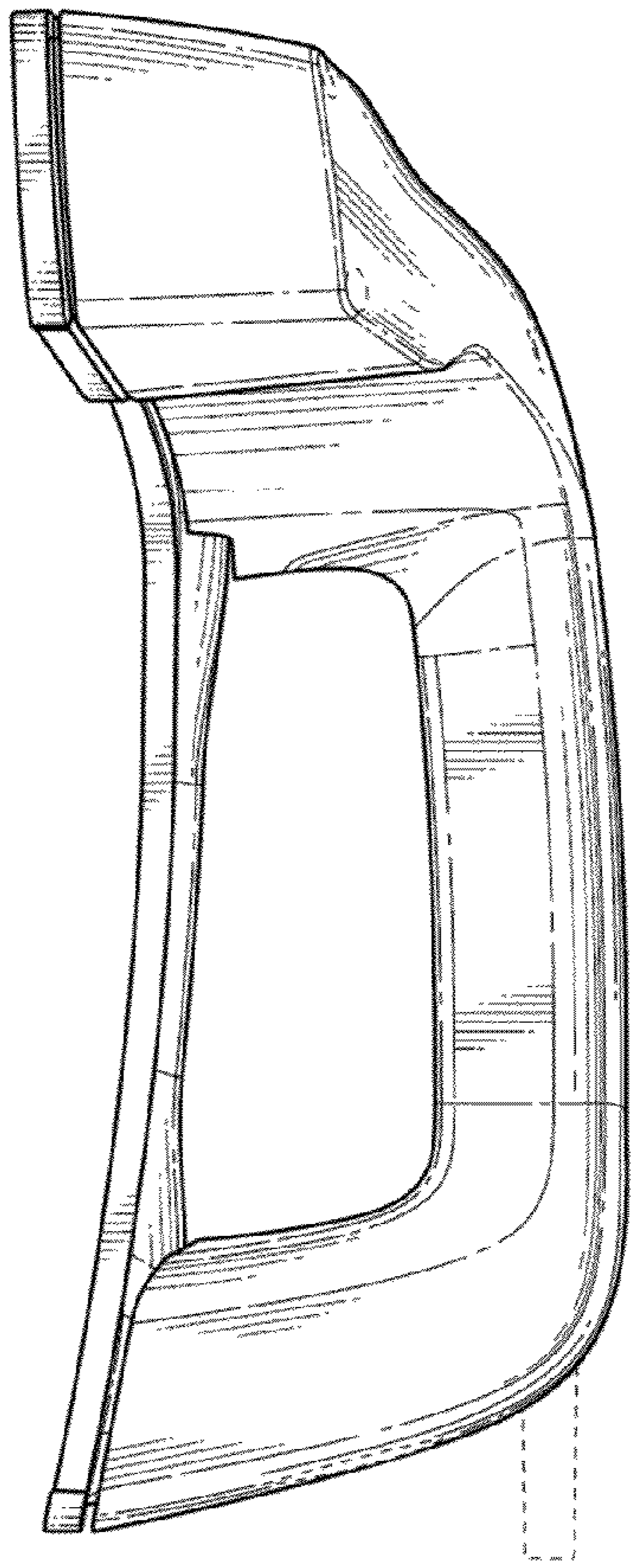


FIG. 5

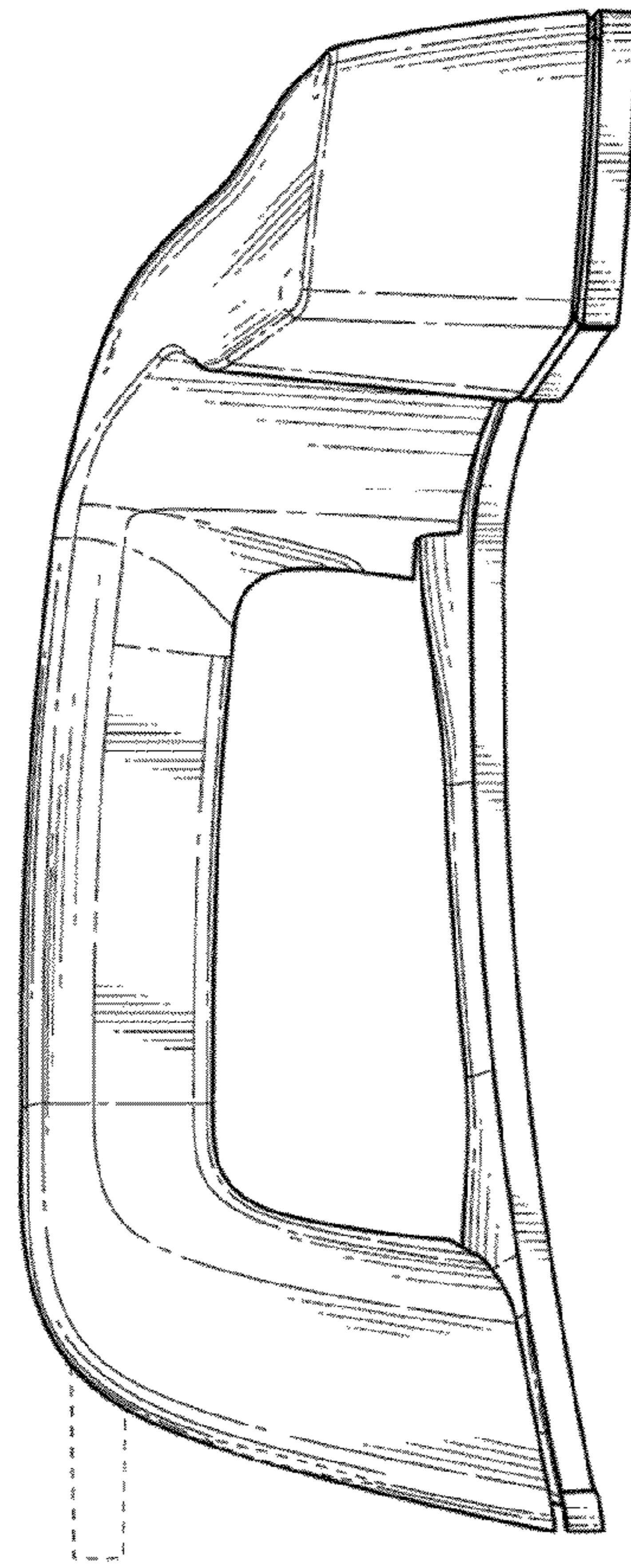


FIG. 6

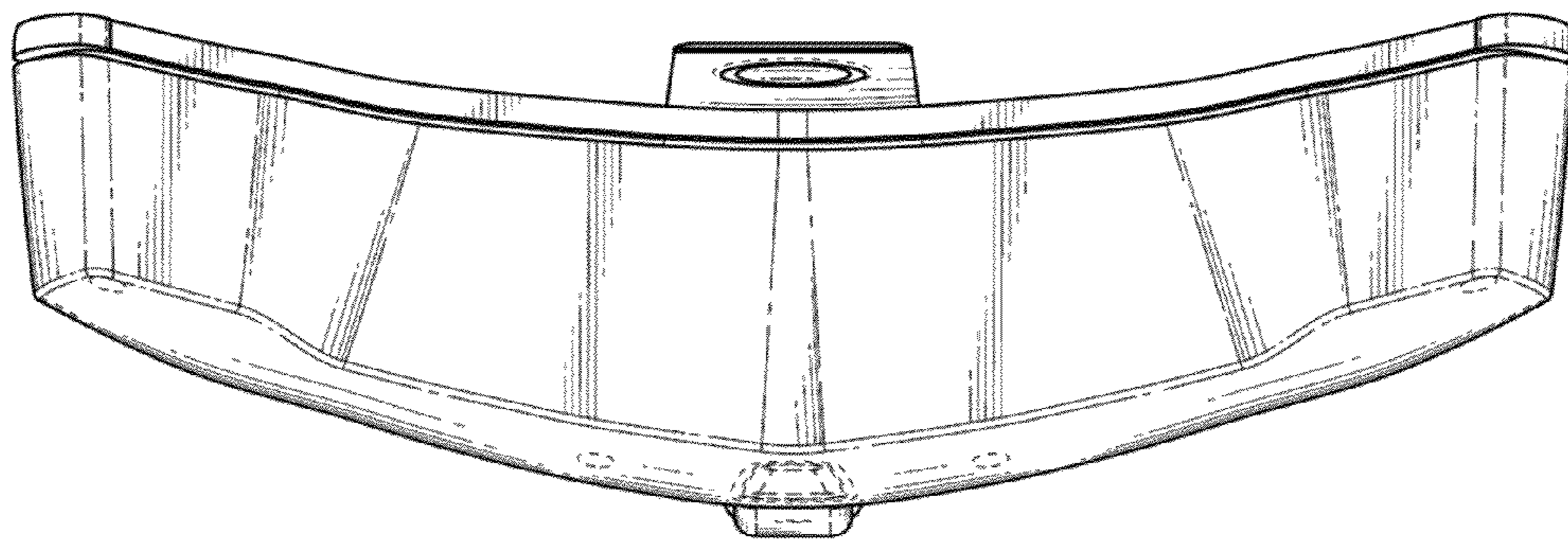


FIG. 7

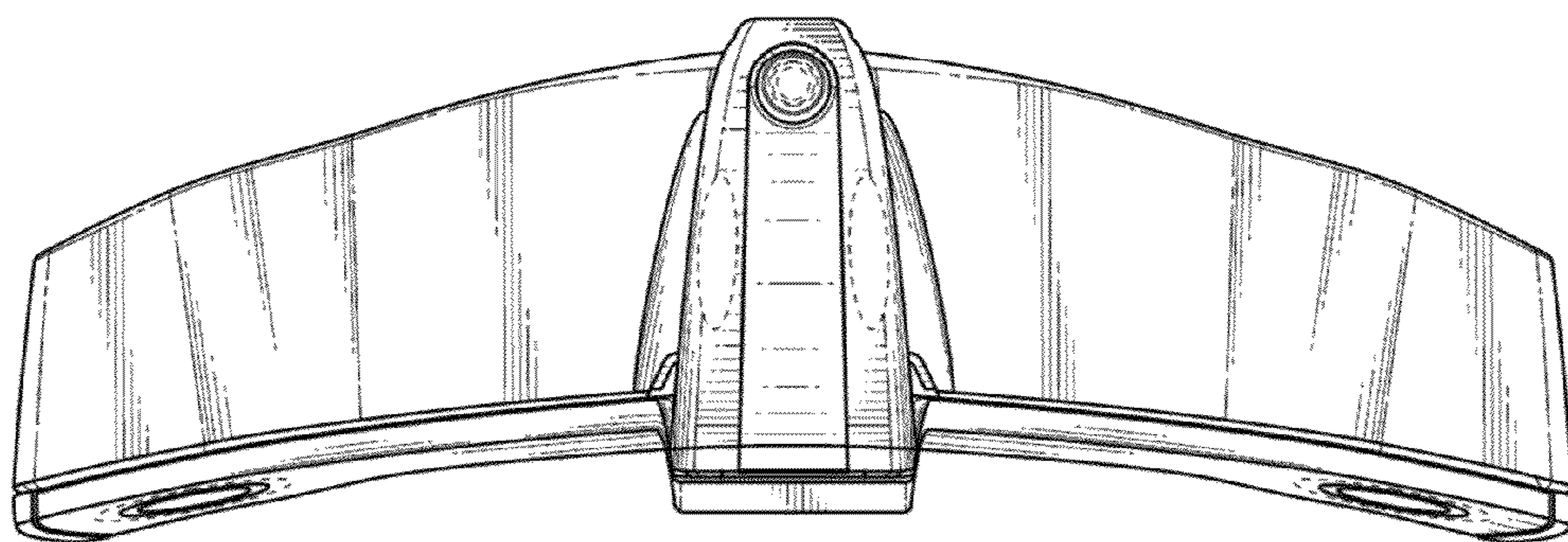


FIG. 8