



US00D733137S

(12) **United States Design Patent**
Kawai

(10) **Patent No.:** **US D733,137 S**
(45) **Date of Patent:** **** Jun. 30, 2015**

(54) **WEARABLE PROJECTOR FOR IMAGE DISPLAY**

(71) Applicant: **Kabushiki Kaisha Toshiba**, Minato-ku, Tokyo (JP)

(72) Inventor: **Yusuke Kawai**, Tokyo (JP)

(73) Assignee: **Kabushiki Kaisha Toshiba**, Minato-ku, Tokyo (JP)

(**) Term: **14 Years**

(21) Appl. No.: **29/509,594**

(22) Filed: **Nov. 19, 2014**

(30) **Foreign Application Priority Data**

May 21, 2014 (JP) 2014-010893

(51) **LOC (10) Cl.** **14-02**

(52) **U.S. Cl.**
USPC **D14/372**

(58) **Field of Classification Search**
USPC D14/356-358, 361, 370, 372, 385, 388, D14/432-439, 447, 458, 474, 480.1, 483, D14/484.1, 217, 239, 299; D8/349, 354, D8/395; D16/100, 330; 345/7-9; 351/158; 359/409, 819, 399, 400; 250/214 VT
See application file for complete search history.

(56) **References Cited**

U.S. PATENT DOCUMENTS

D537,078 S * 2/2007 Tanaka et al. D14/372
D583,212 S * 12/2008 Grohmann D8/308
D609,236 S * 2/2010 Matsumoto et al. D14/372
D659,137 S * 5/2012 Matsumoto D14/372
8,289,231 B2 * 10/2012 Budd et al. 345/8
D682,267 S * 5/2013 Mase D14/372
8,446,676 B2 * 5/2013 Sugihara et al. 359/643

D704,705 S * 5/2014 Mehin et al. D14/372
D710,355 S * 8/2014 Brandt D14/372
D713,406 S * 9/2014 Pombo et al. D14/372
D718,304 S * 11/2014 Heinrich D14/372
D718,306 S * 11/2014 Mehin et al. D14/372
D719,156 S * 12/2014 Lee et al. D14/372
D719,571 S * 12/2014 Sugihara et al. D14/372

FOREIGN PATENT DOCUMENTS

JP 1350229 1/2012
JP 1471440 6/2013
JP 1481044 10/2013
JP 1486014 12/2013

* cited by examiner

Primary Examiner — Austin Murphy

(74) *Attorney, Agent, or Firm* — Banner & Witcoff, Ltd.

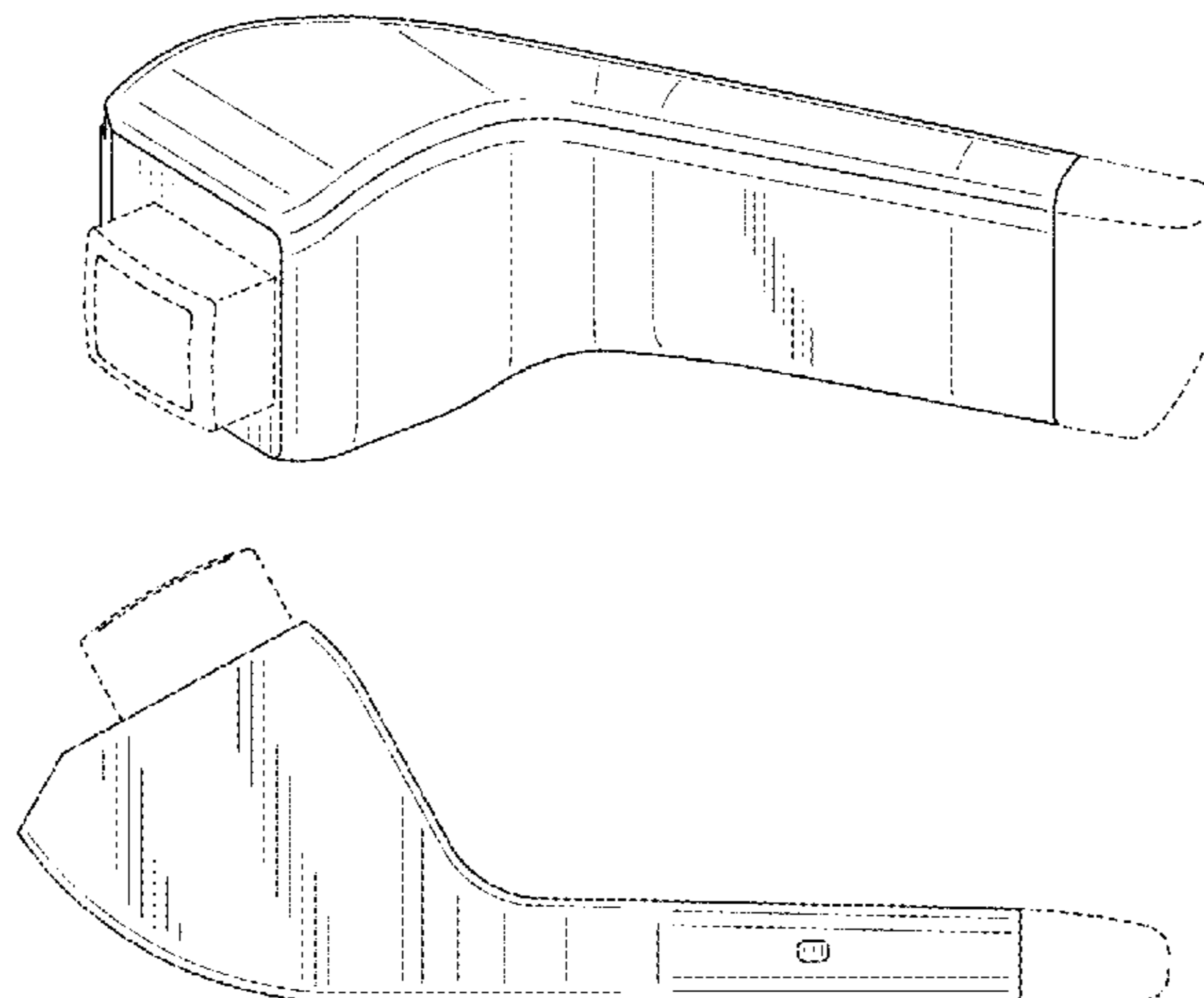
(57) **CLAIM**

The ornamental design for a wearable projector for image display, as shown and described.

DESCRIPTION

FIG. 1 is a front, top and right side perspective view of a wearable projector for image display, showing my new design;
FIG. 2 is a front view thereof;
FIG. 3 is a rear view thereof;
FIG. 4 is a left side view thereof;
FIG. 5 is a right side view thereof;
FIG. 6 is a top view thereof;
FIG. 7 is a bottom view thereof;
FIG. 8 is an end view thereof, taken along the line 8-8 in FIG. 2 with its internal mechanisms omitted; and,
FIG. 9 is a reference perspective view showing the state of use thereof.
The broken lines are for illustrative purposes only and form no part of the claimed design.

1 Claim, 3 Drawing Sheets



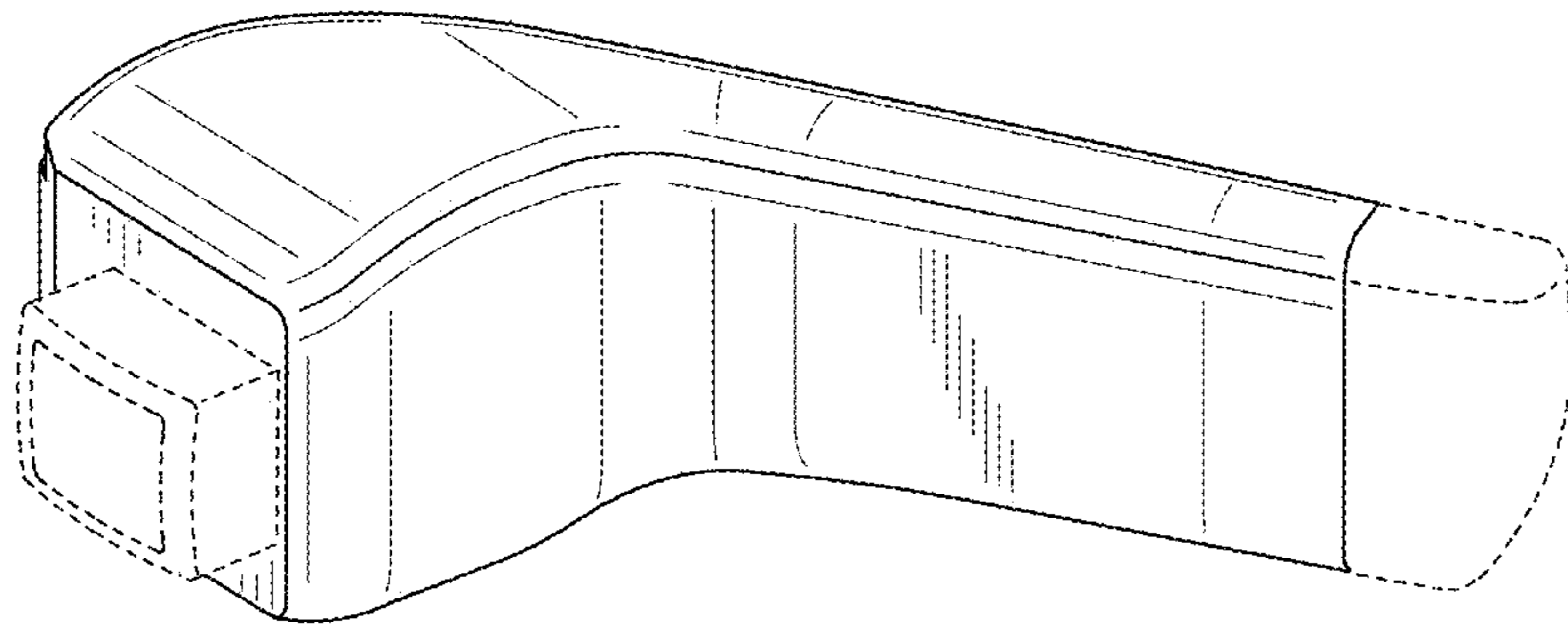


Fig. 1

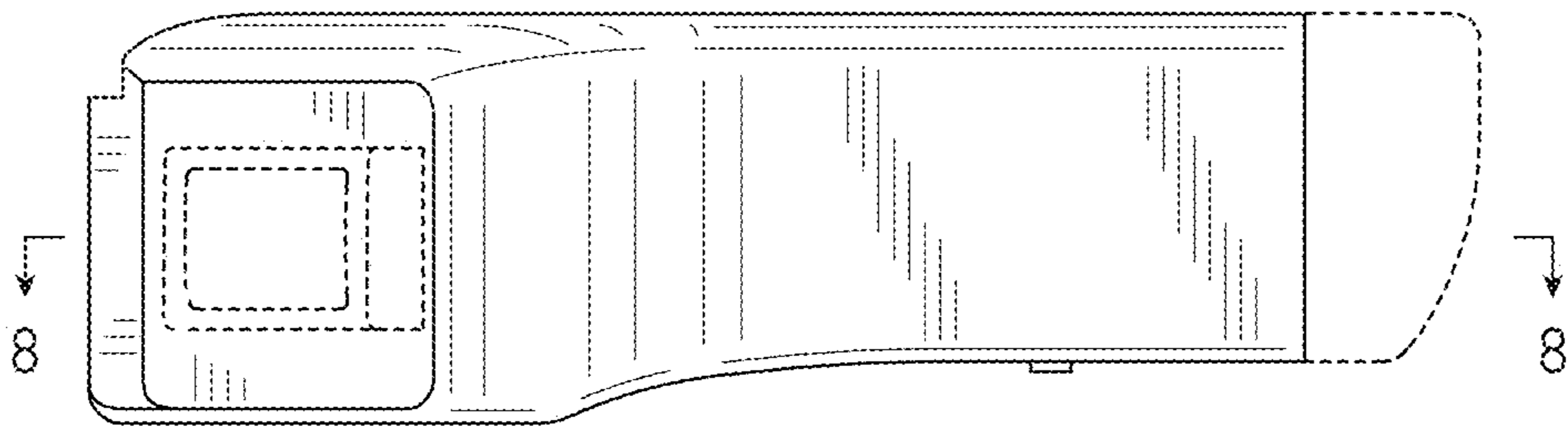


Fig. 2

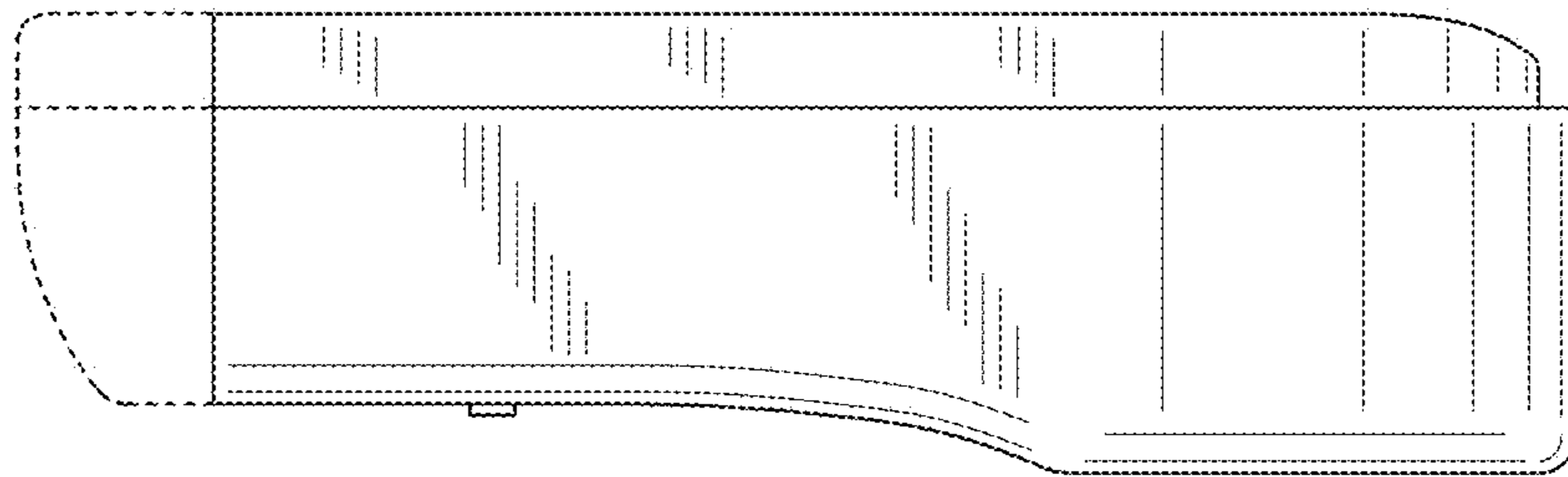


Fig. 3

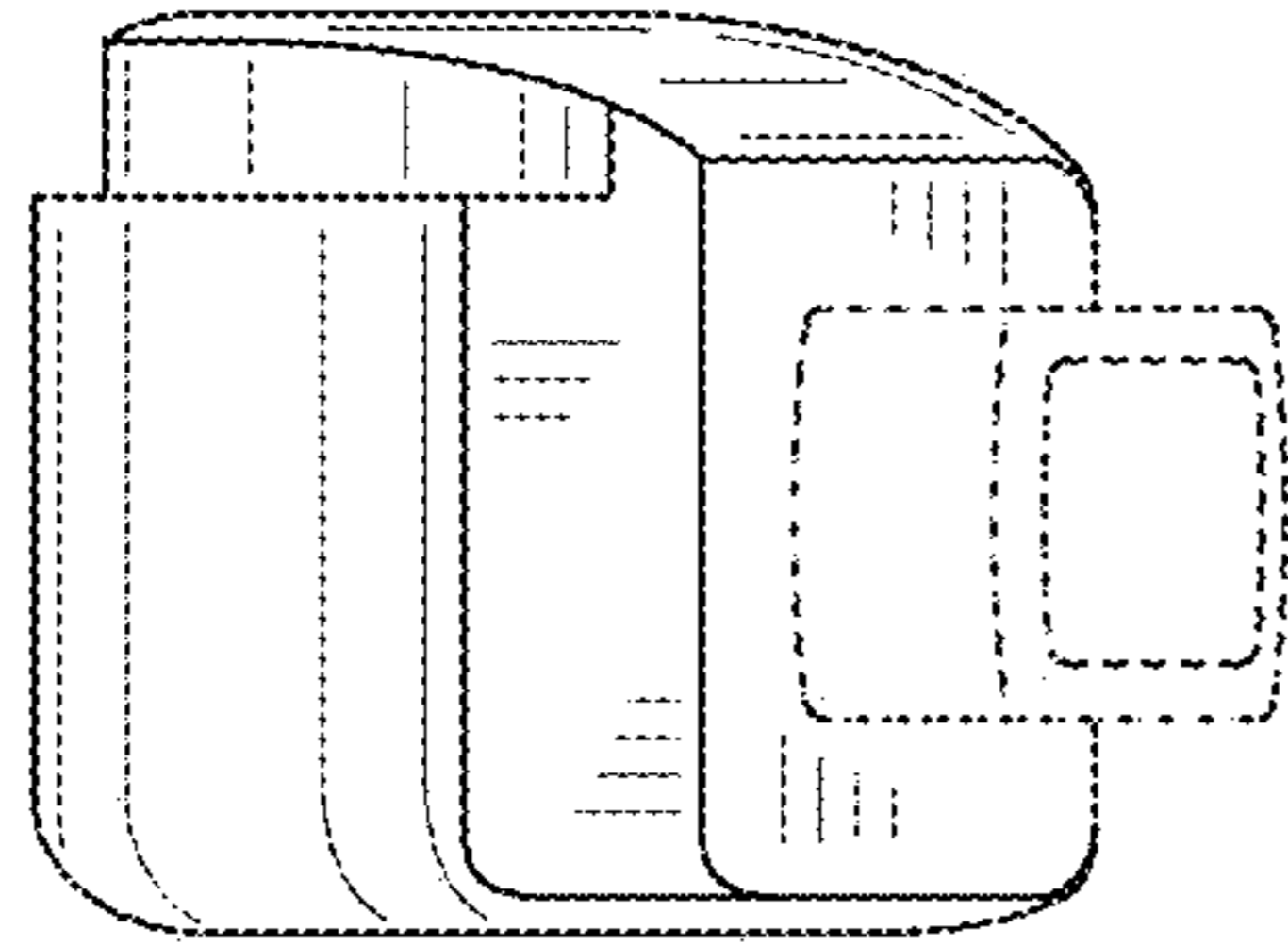


Fig. 4

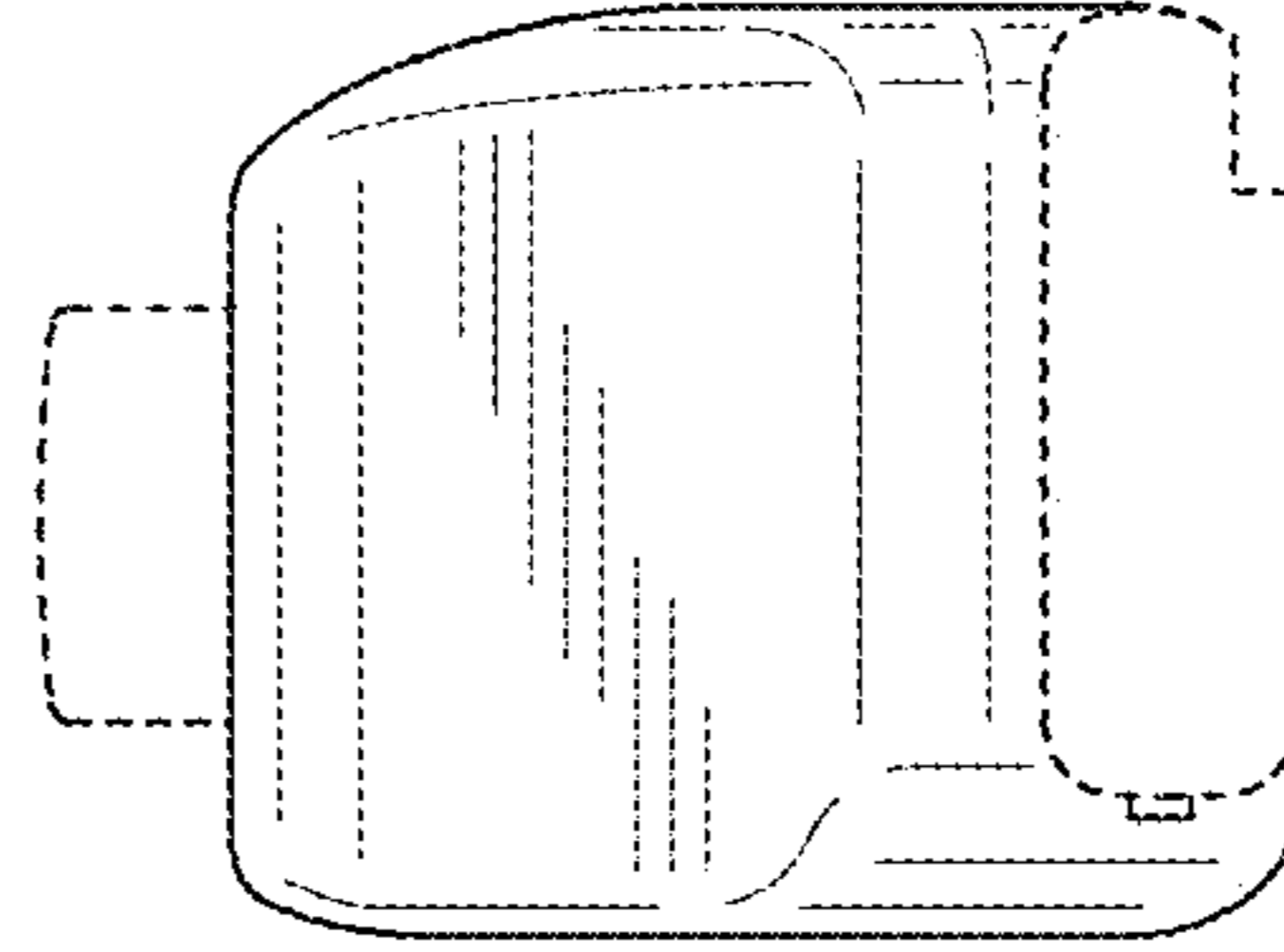


Fig. 5

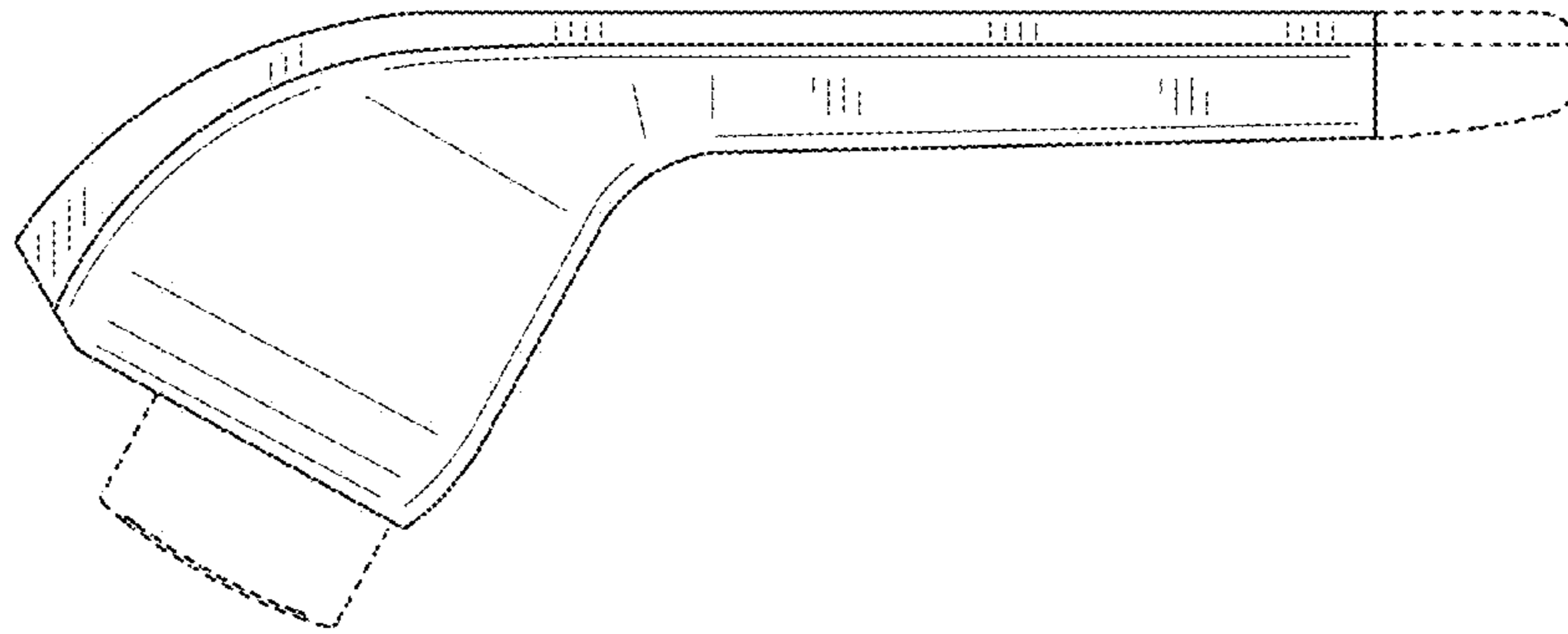


Fig. 6

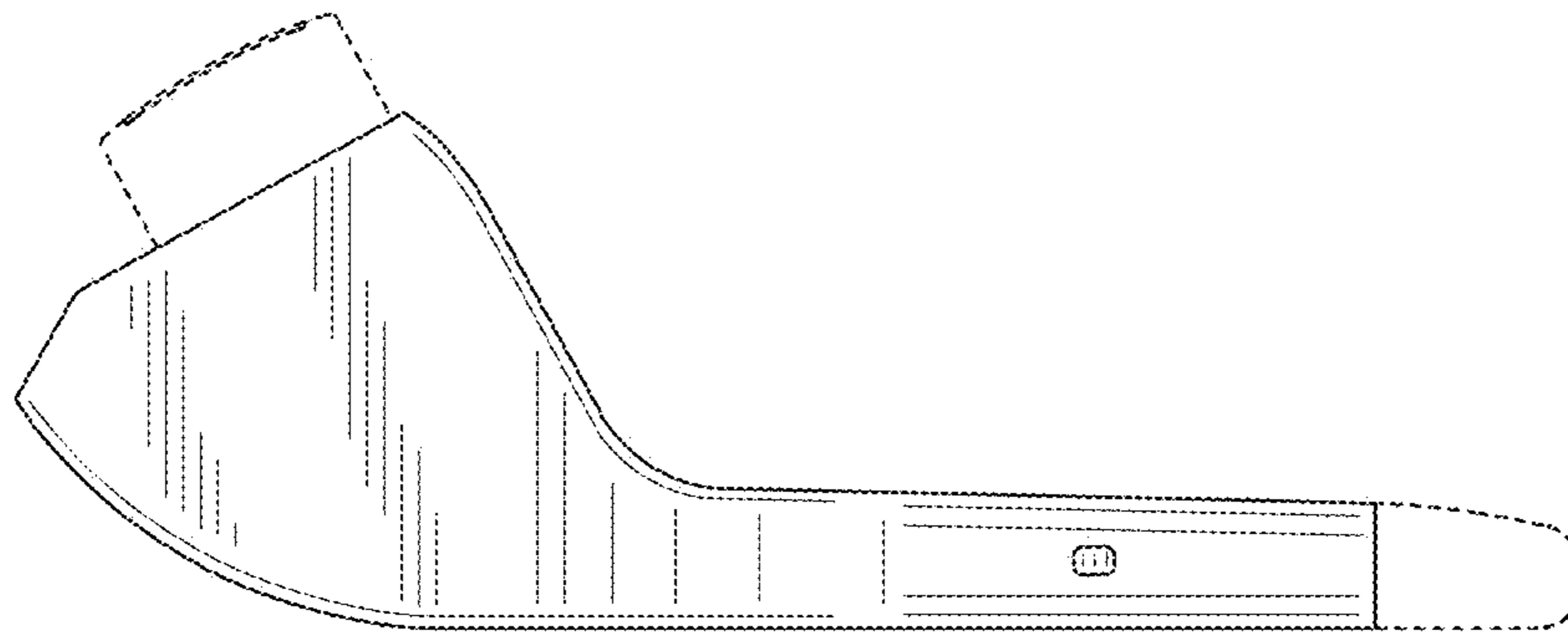


Fig. 7

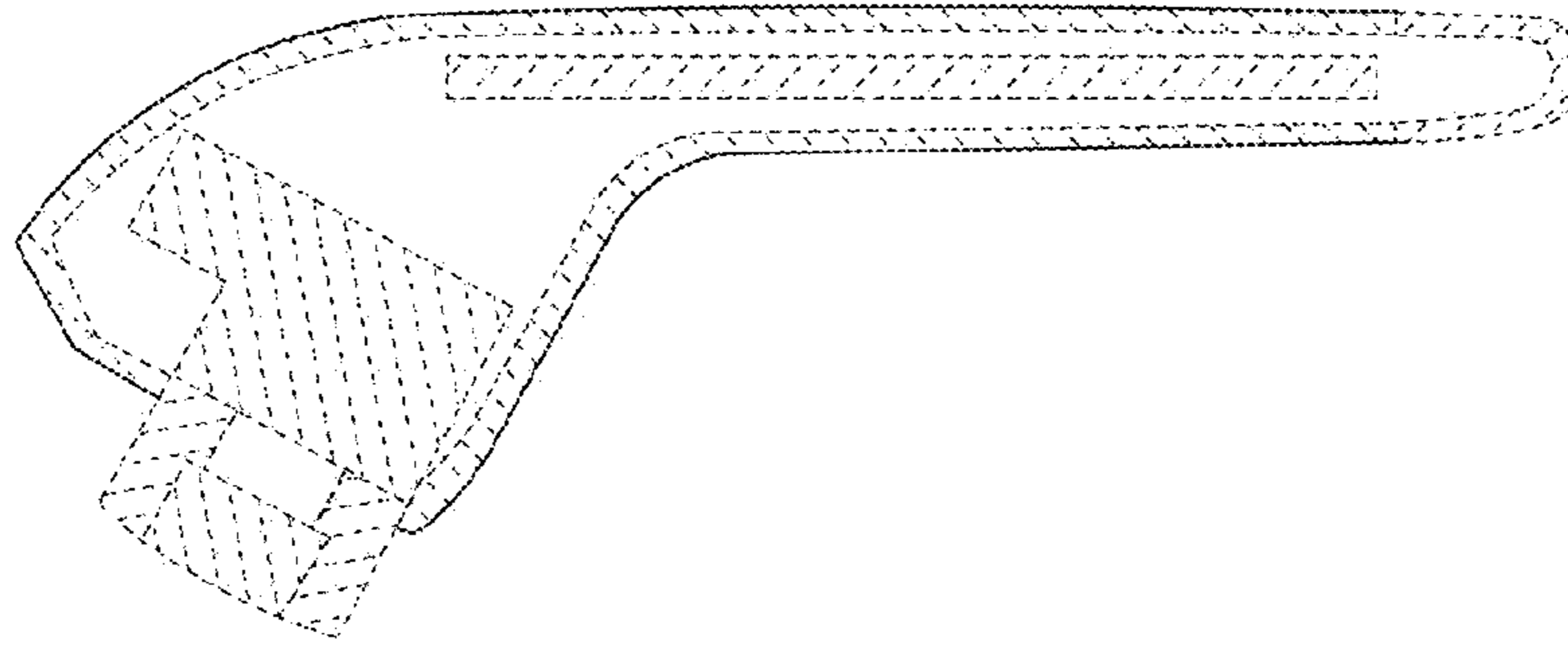


Fig. 8

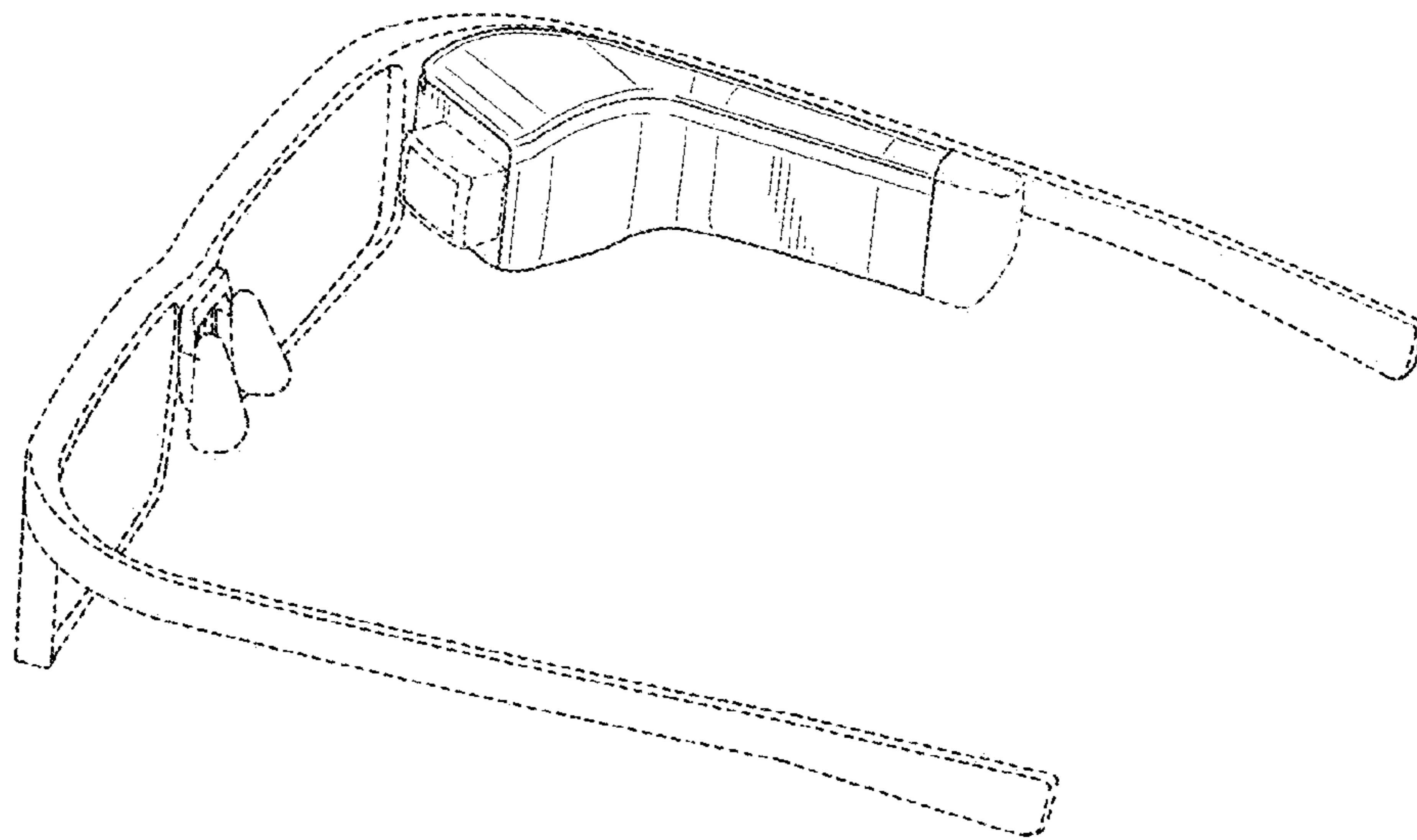


Fig. 9