



US00D733133S

(12) **United States Design Patent**
Kim et al.

(10) **Patent No.:** **US D733,133 S**
(45) **Date of Patent:** **** Jun. 30, 2015**

(54) **ELECTRONIC DEVICE**

(71) Applicant: **Samsung Electronics Co., Ltd.**,
Suwon-Si (KR)

(72) Inventors: **Hyun Jin Kim**, Seoul (KR); **Ji yeon Kwak**, Seoul (KR); **Joon Kyu Seo**, Seoul (KR)

(73) Assignee: **Samsung Electronics Co., Ltd.**,
Suwon-si (KR)

(**) Term: **14 Years**

(21) Appl. No.: **29/465,066**

(22) Filed: **Aug. 23, 2013**

(30) **Foreign Application Priority Data**

Feb. 23, 2013 (KR) 30-2013-0009573

(51) **LOC (10) Cl.** **14-02**

(52) **U.S. Cl.**
USPC **D14/344**

(58) **Field of Classification Search**
USPC D14/138 A, 138 G, 240, 341, 342, 343,
D14/344, 345, 346, 347, 420, 426, 427,
D14/496; D10/30, 31, 32, 37, 38, 39, 65;
368/281, 282, 294, 295, 296; 455/100;
361/679.03; 379/433.1; D11/3
See application file for complete search history.

(56) **References Cited**

U.S. PATENT DOCUMENTS

D553,642 S * 10/2007 Bourelly et al. D14/496
D565,599 S * 4/2008 Jang et al. D14/496
D583,813 S * 12/2008 Maiers et al. D14/356
D603,402 S * 11/2009 Ferrari et al. D14/346
D604,261 S * 11/2009 Tsai et al. D14/138 G
D606,512 S * 12/2009 Wood et al. D14/203.7
D635,536 S * 4/2011 Xiao D14/138 AA
D635,972 S * 4/2011 Miyazawa et al. D14/341

D640,578 S * 6/2011 Aihara et al. D10/65
(Continued)

OTHER PUBLICATIONS

30 Futuristic Phones We Wish Were Real, by Dainis, first comment posted Nov. 18, 2010, <http://www.hongkiat.com/blog/30-futuristic-phones-we-wish-were-real/>, Retrieved from internet on Feb. 23, 2015.*

Primary Examiner — Barbara Fox
Assistant Examiner — Chelsea Sealey
(74) *Attorney, Agent, or Firm* — NSIP Law

(57) **CLAIM**

The ornamental design for an electronic device, as shown and described.

DESCRIPTION

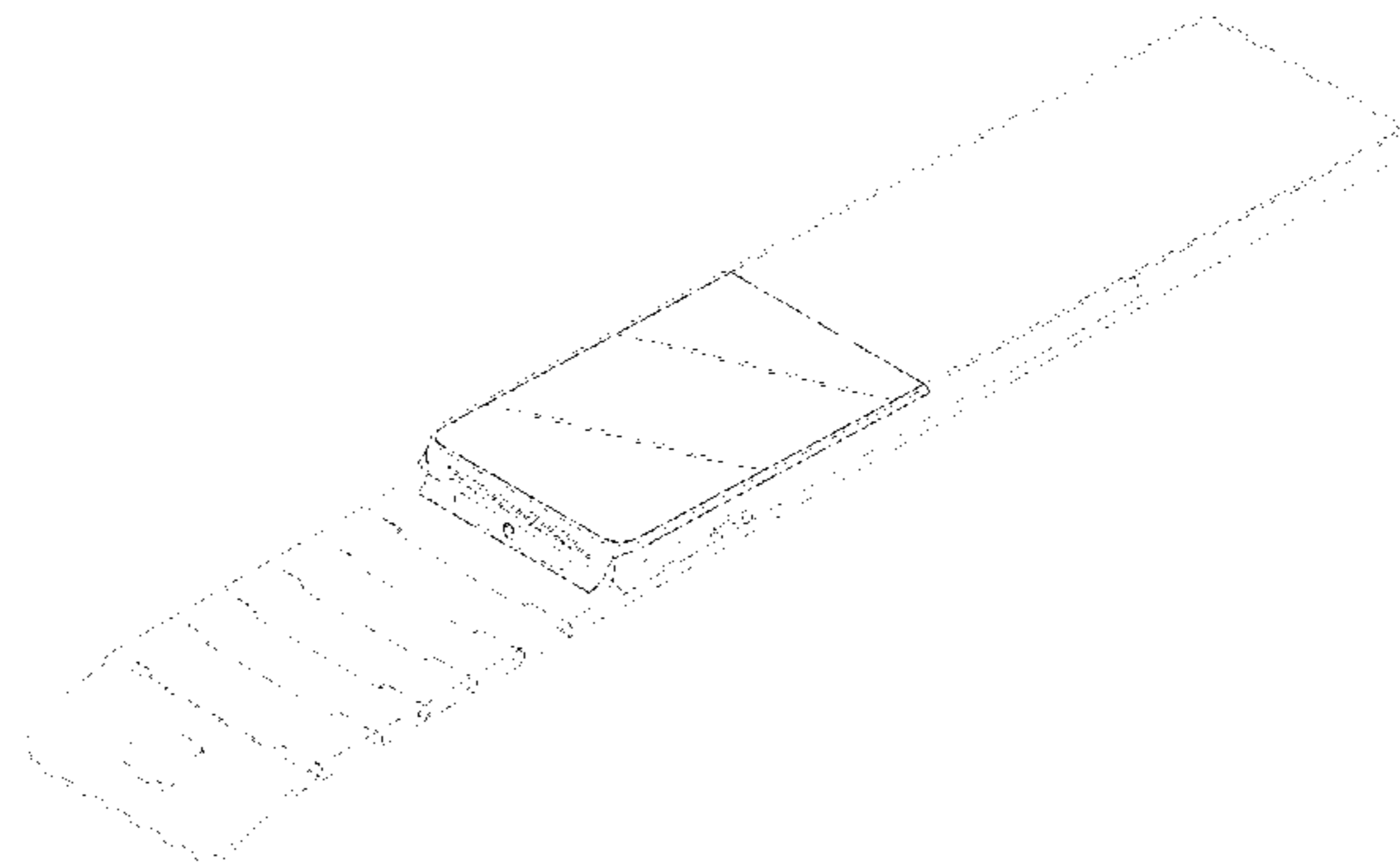
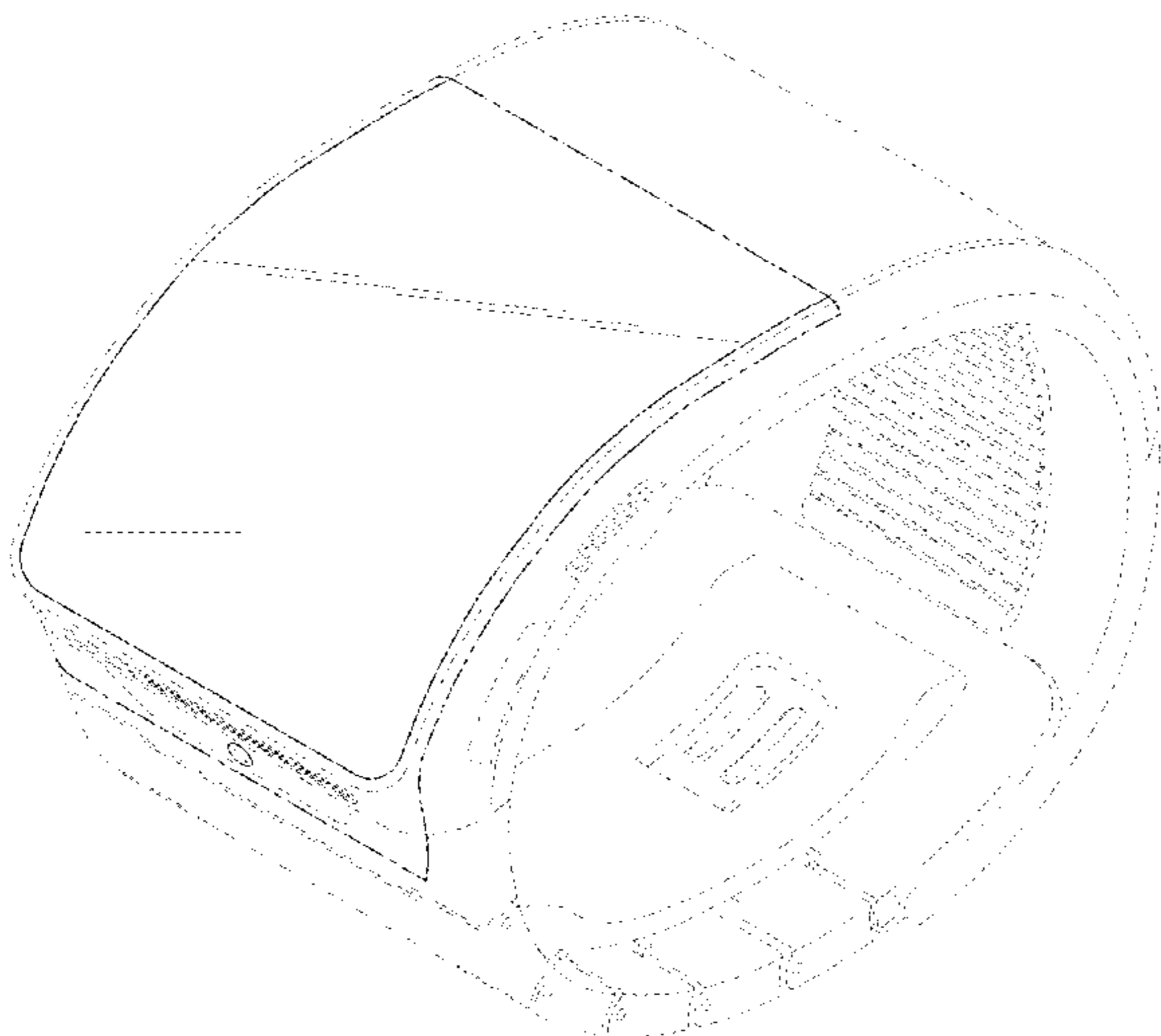
FIG. 1 is a front perspective view of an electronic device showing our new design;
FIG. 2 is a front view thereof;
FIG. 3 is a rear view thereof;
FIG. 4 is a left-side view thereof;
FIG. 5 is a right-side view thereof;
FIG. 6 is a top view thereof;
FIG. 7 is a bottom view thereof;
FIG. 8 is a perspective view of the electronic device of FIG. 1 shown in an open position; and,
FIG. 9 is an enlarged view of the encircled portion A in FIG. 2.

The broken lines indicate portions of the electronic device that form no part of the claimed design.

The dot-dash broken lines encircling portions of the claimed design that are illustrated in enlargements form no part of the claimed design.

The dot dash lines in the figures represent an unclaimed boundary line and form no part of the claimed design.

1 Claim, 9 Drawing Sheets



US D733,133 S

Page 2

(56)

References Cited

U.S. PATENT DOCUMENTS

D647,920 S * 11/2011 Luo D14/496
D650,327 S * 12/2011 Kingston D13/107
D662,921 S * 7/2012 Clements et al. D14/243

D675,196 S * 1/2013 Maddern D14/240
D684,193 S * 6/2013 Maier et al. D14/496
D692,407 S * 10/2013 Kim D14/138 AD
D703,170 S * 4/2014 Hong D14/138 G
D708,977 S * 7/2014 Corso et al. D10/106.9

* cited by examiner

FIG. 1

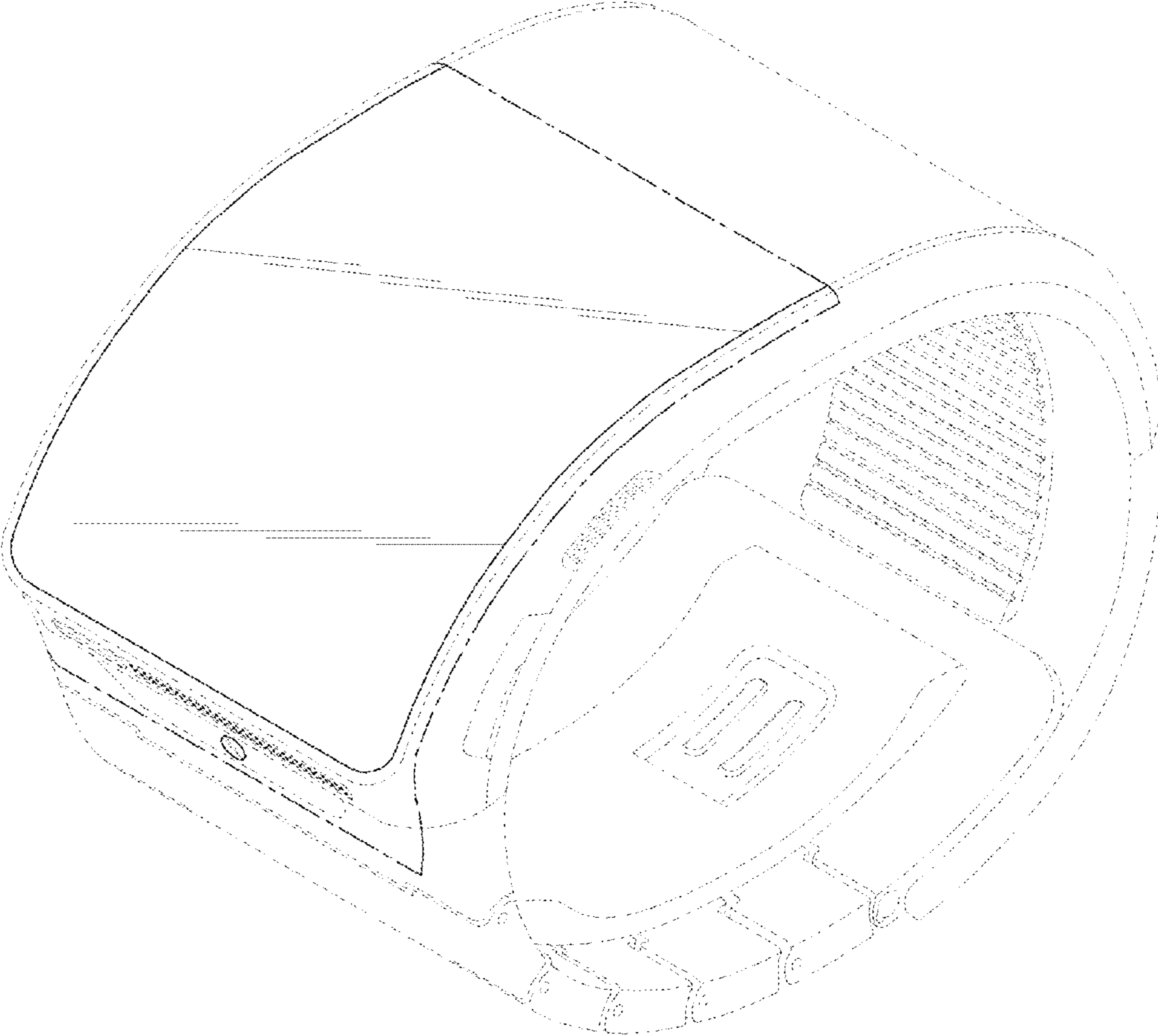


FIG. 2

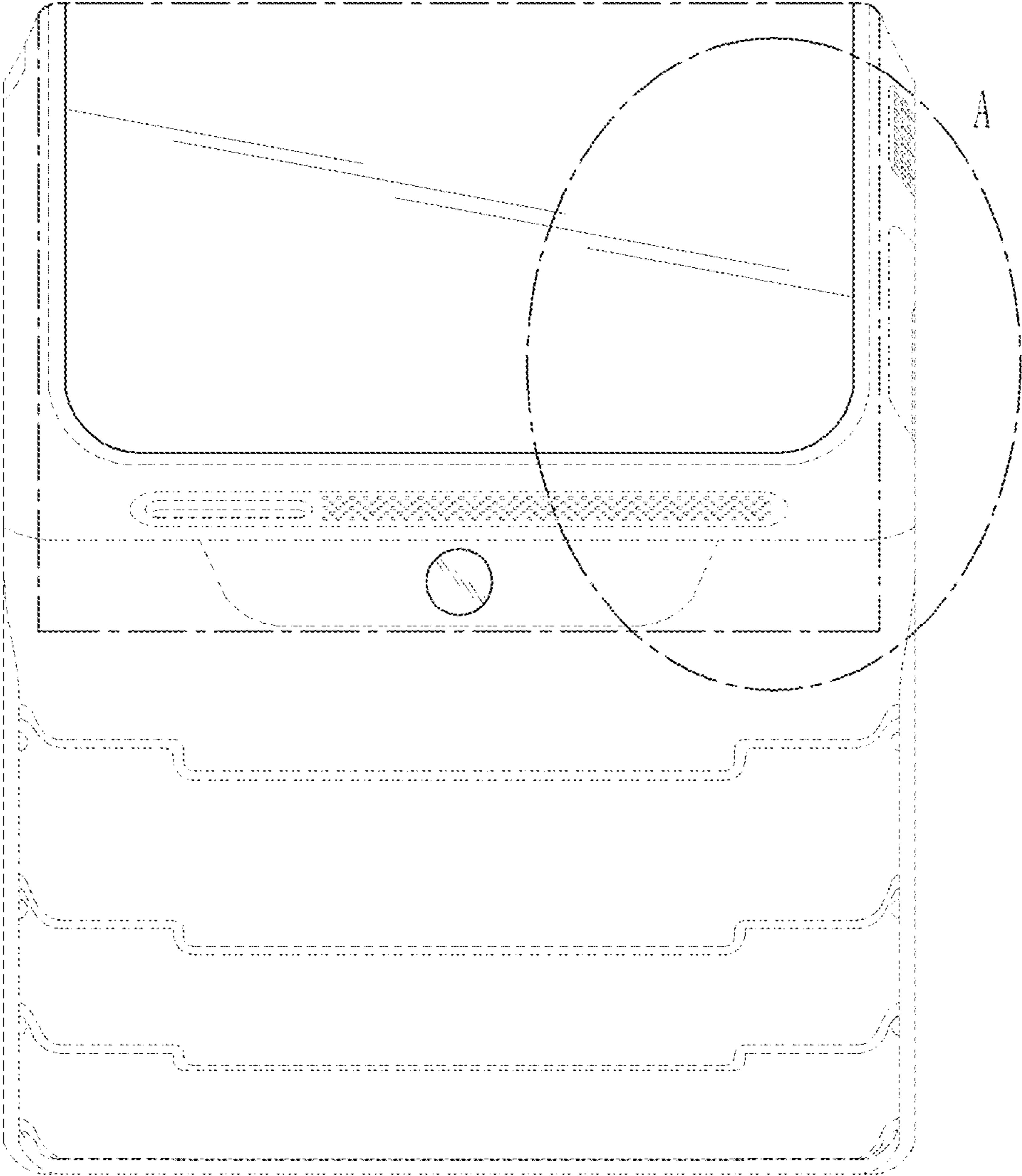


FIG. 3

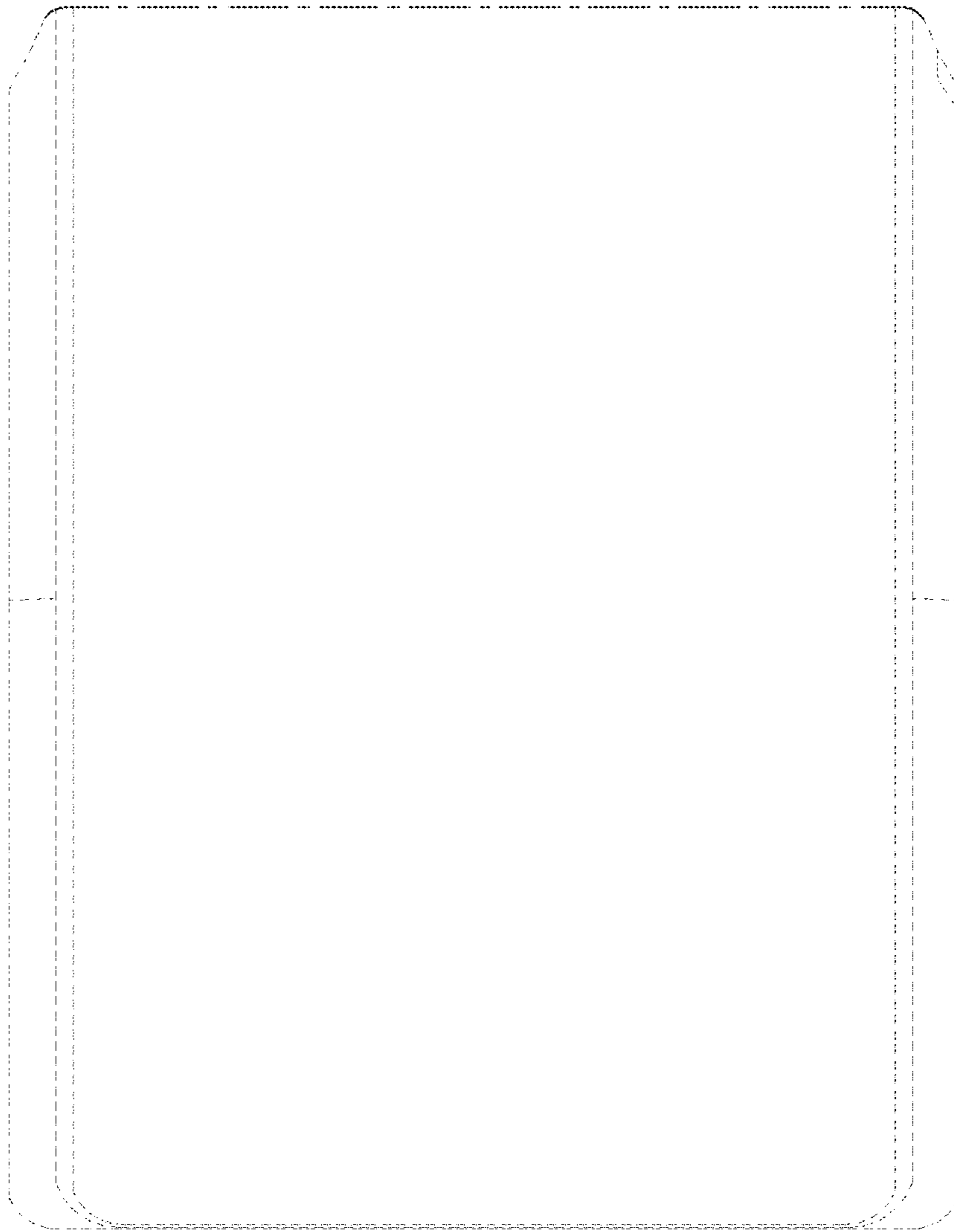


FIG. 4

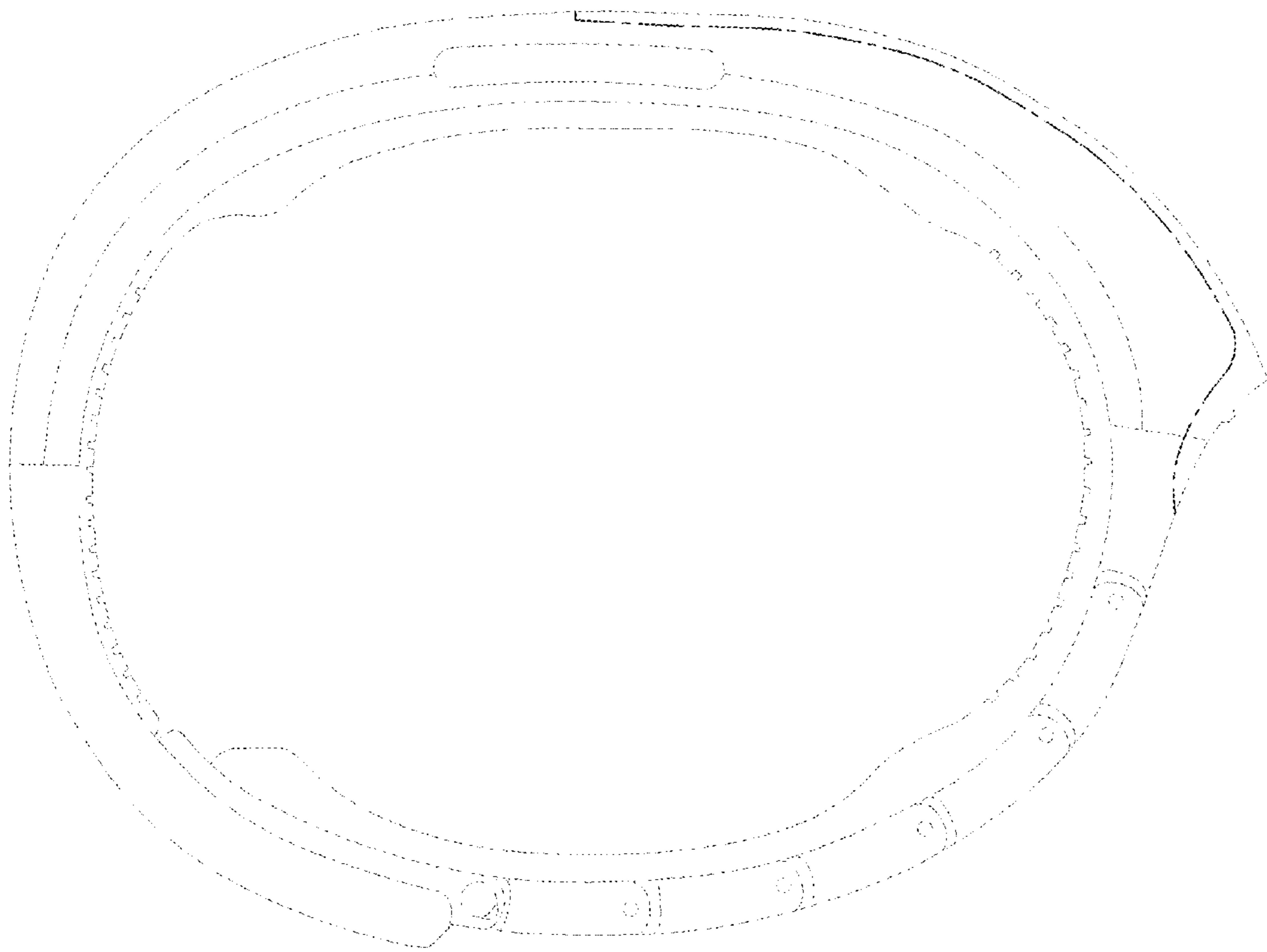


FIG. 5

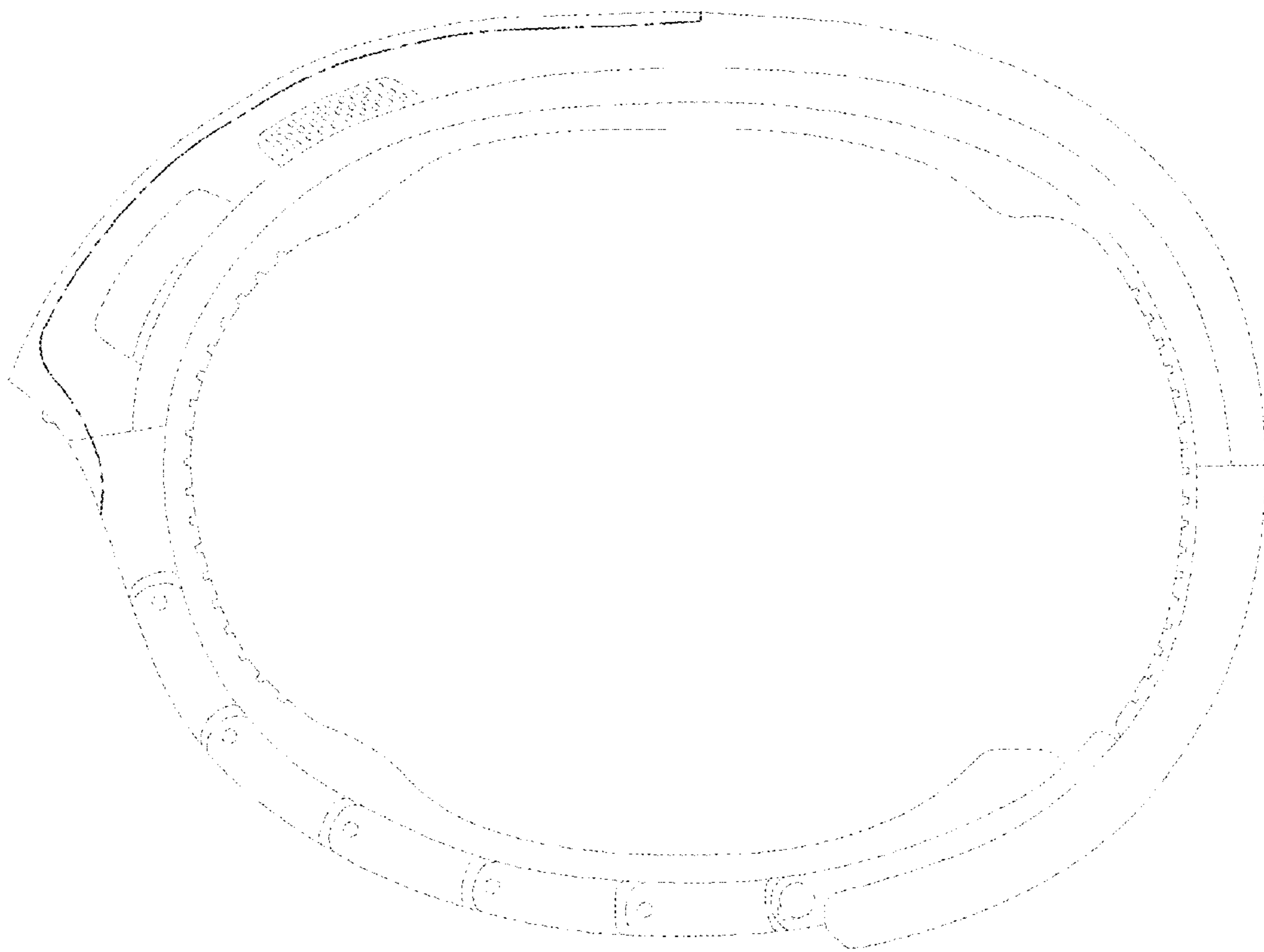


FIG. 6

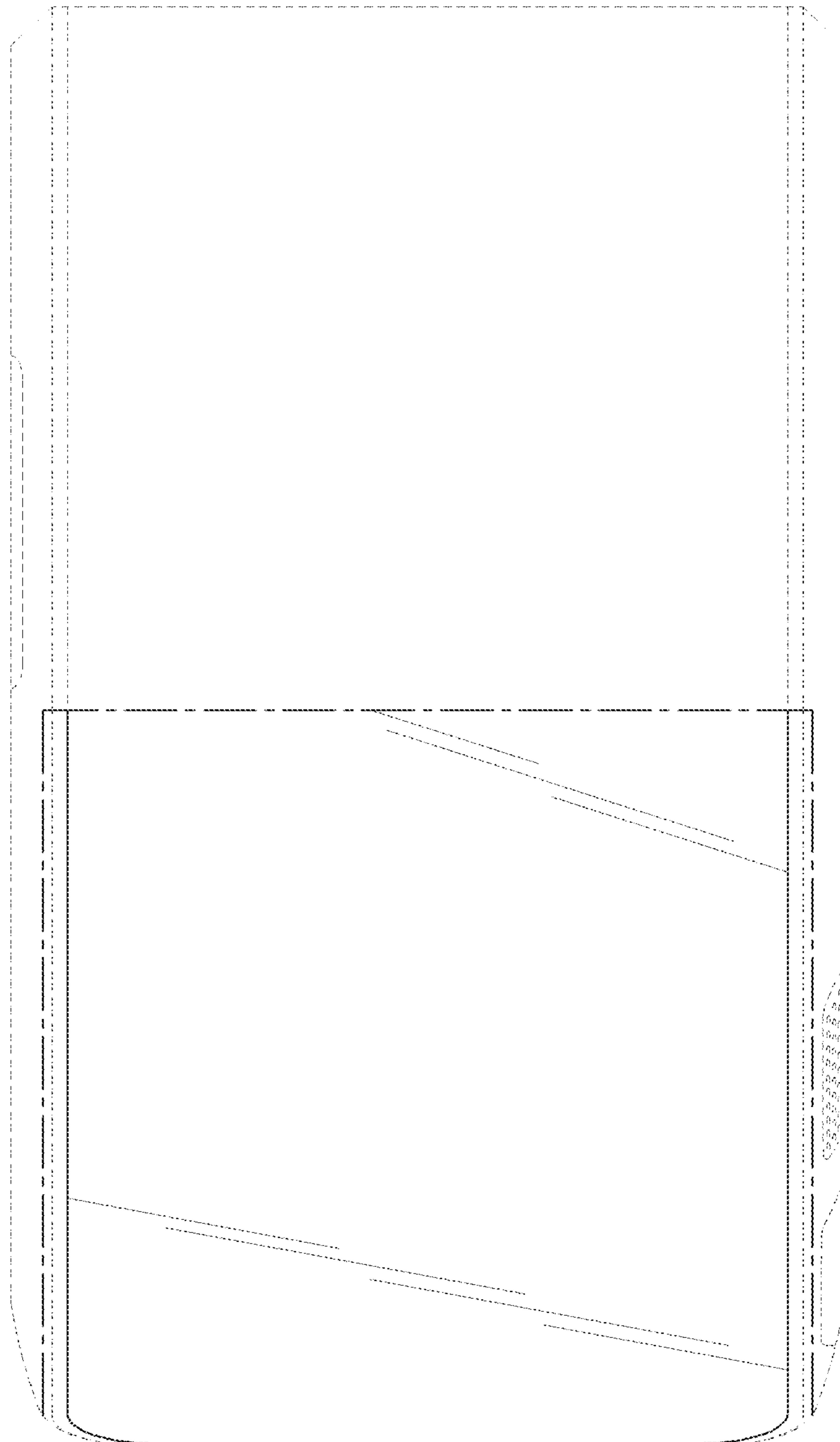


FIG. 7

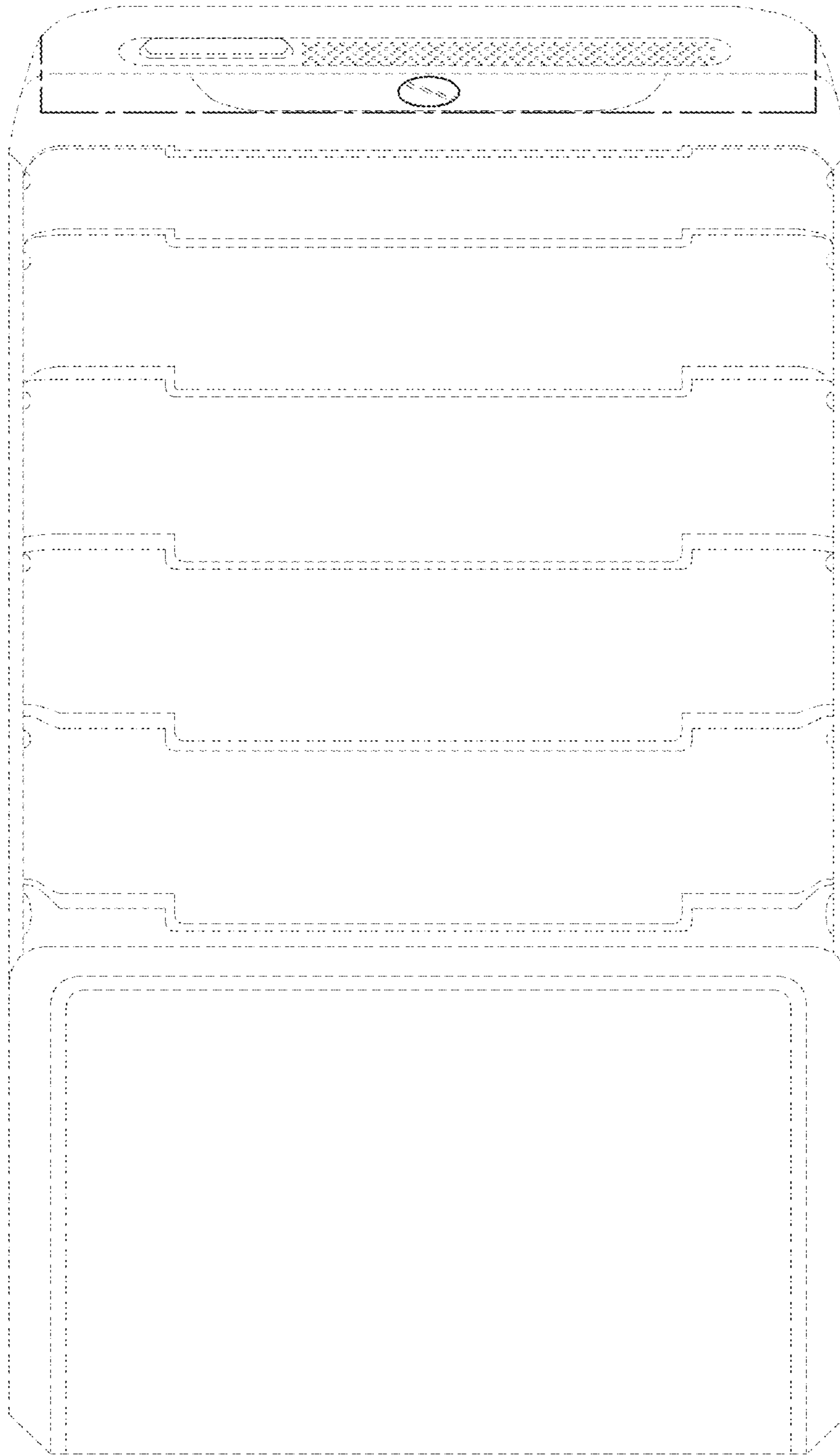


FIG. 8

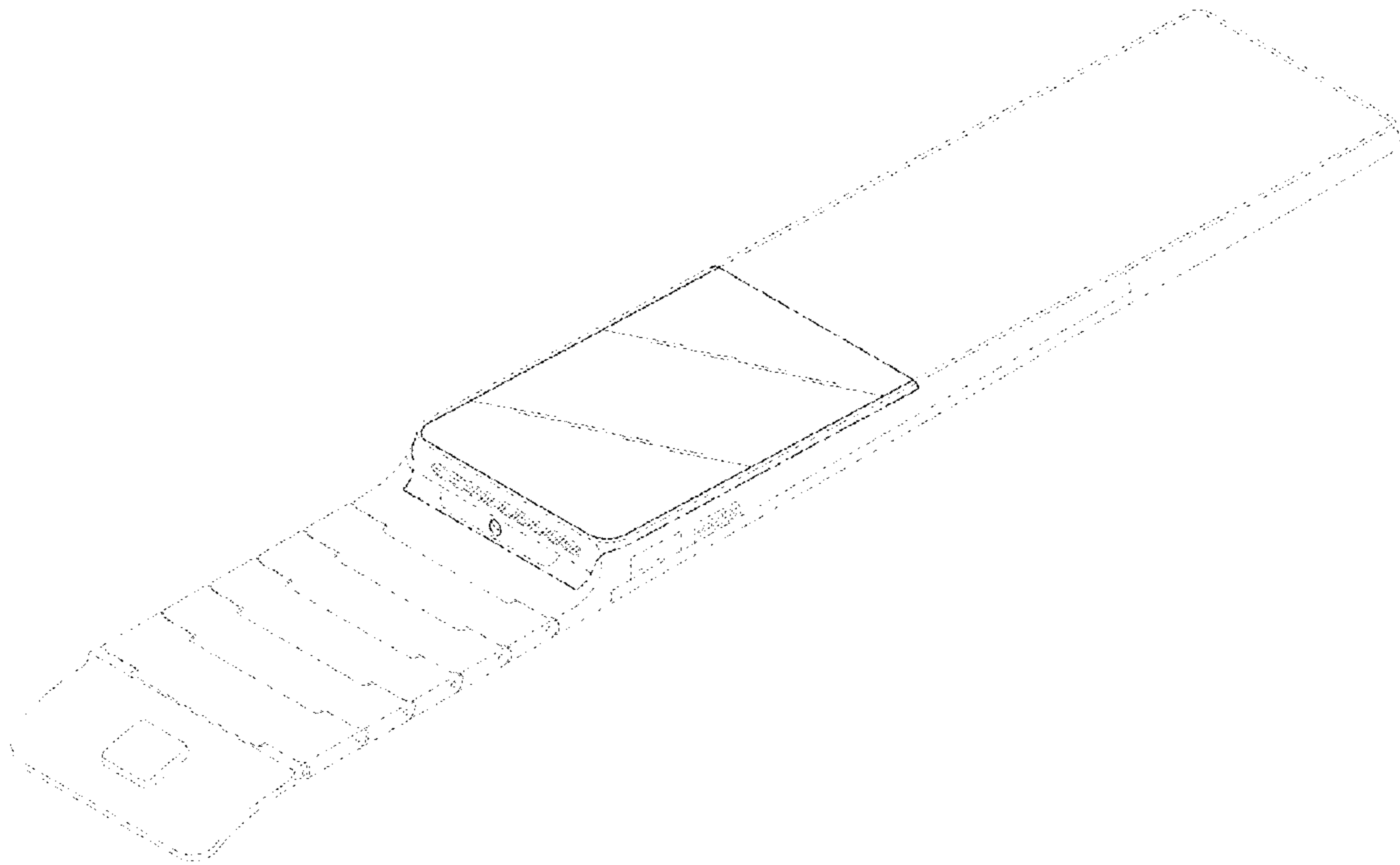


FIG. 9

