



US00D733132S

(12) **United States Design Patent**
Kim et al.

(10) **Patent No.:** **US D733,132 S**
(45) **Date of Patent:** **** Jun. 30, 2015**

(54) **ELECTRONIC DEVICE**

(71) Applicant: **Samsung Electronics Co., Ltd.**,
Suwon-Si (KR)

(72) Inventors: **Hyun Jin Kim**, Seoul (KR); **Ji yeon Kwak**, Seoul (KR); **Joon Kyu Seo**, Seoul (KR)

(73) Assignee: **Samsung Electronics Co., Ltd.**,
Suwon-si (KR)

(**) Term: **14 Years**

(21) Appl. No.: **29/465,058**

(22) Filed: **Aug. 23, 2013**

(30) **Foreign Application Priority Data**

Feb. 23, 2013 (KR) 30-2013-0009574

(51) **LOC (10) Cl.** **14-02**

(52) **U.S. Cl.**
USPC **D14/344**

(58) **Field of Classification Search**
USPC D14/138 A, 138 G, 240, 341, 342, 343,
D14/344, 345, 346, 347, 420, 426, 427,
D14/496; D10/30, 31, 32, 37, 38, 39, 65;
368/281, 282, 294, 295, 296; 455/100;
361/679.03; 379/433.1; D11/3

See application file for complete search history.

(56) **References Cited**

U.S. PATENT DOCUMENTS

D553,642 S * 10/2007 Bourelly et al. D14/496
D565,599 S * 4/2008 Jang et al. D14/496
D583,813 S * 12/2008 Maiers et al. D14/356
D603,402 S * 11/2009 Ferrari et al. D14/346
D604,261 S * 11/2009 Tsai et al. D14/138 G

D606,512 S * 12/2009 Wood et al. D14/203.7
D635,536 S * 4/2011 Xiao D14/138 AA
D635,972 S * 4/2011 Miyazawa et al. D14/341
D647,920 S * 11/2011 Luo D14/496
D675,196 S * 1/2013 Maddern D14/240
D692,407 S * 10/2013 Kim D14/138 AD
D708,977 S * 7/2014 Corso et al. D10/106.9
D709,054 S * 7/2014 McConnell et al. D14/243

* cited by examiner

Primary Examiner — Barbara Fox

Assistant Examiner — Chelsea Sealey

(74) *Attorney, Agent, or Firm* — NSIP Law

(57) **CLAIM**

The ornamental design for an electronic device, as shown and described.

DESCRIPTION

FIG. 1 is a front perspective view of an electronic device showing our new design;

FIG. 2 is a front view thereof;

FIG. 3 is a rear view thereof;

FIG. 4 is a left-side view thereof;

FIG. 5 is a right-side view thereof;

FIG. 6 is a top view thereof;

FIG. 7 is a bottom view thereof;

FIG. 8 is a perspective view of the electronic device shown in an open position; and,

FIG. 9 is an enlarged view of the encircled portion A in FIG. 2.

The broken lines indicate portions of the electronic device that form no part of the claimed design.

The dot-dash broken lines encircling portions of the claimed design that are illustrated in enlargements form no part of the claimed design.

The dot dash lines in the figures represent an unclaimed boundary line and form no part of the claimed design.

1 Claim, 9 Drawing Sheets

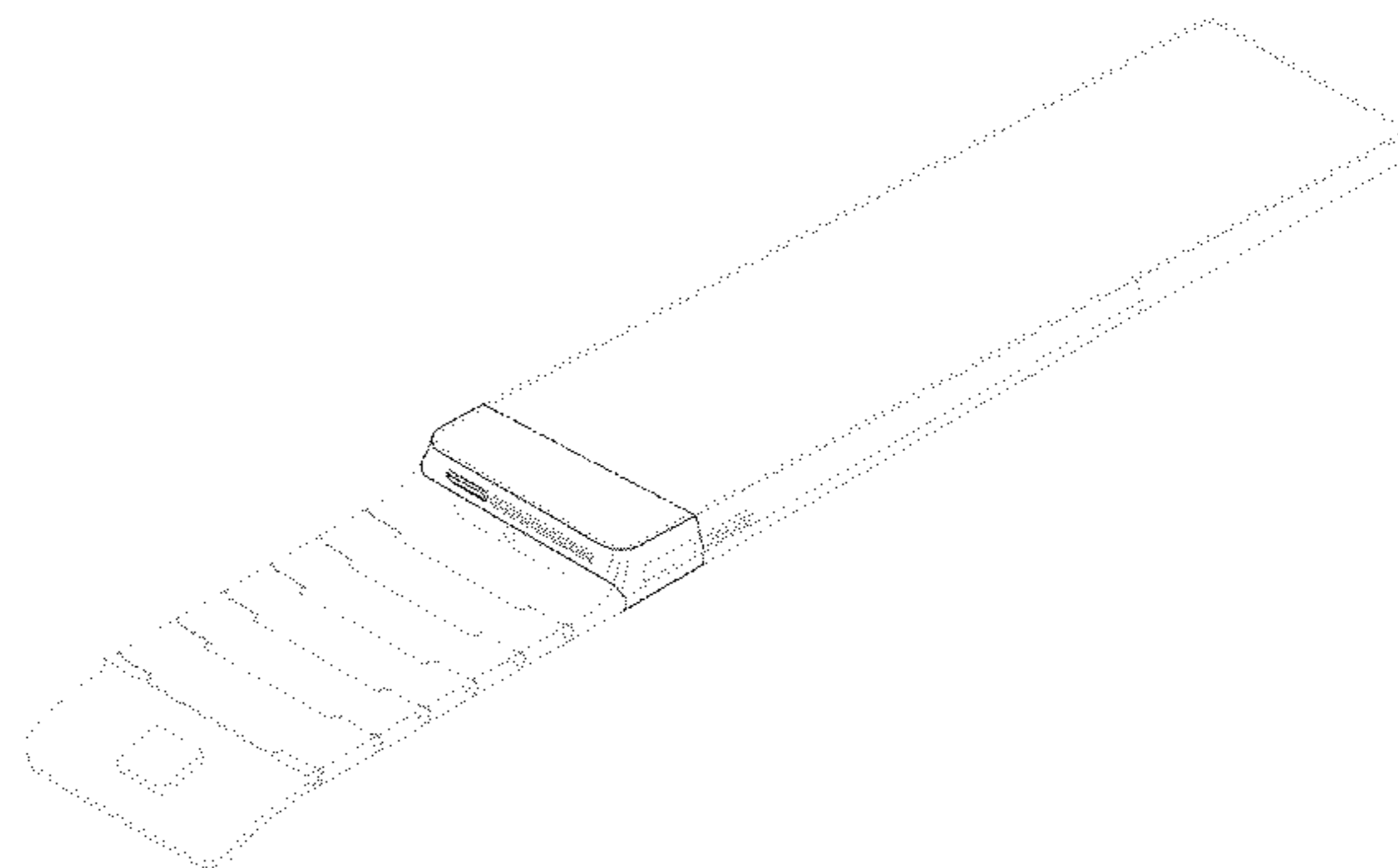
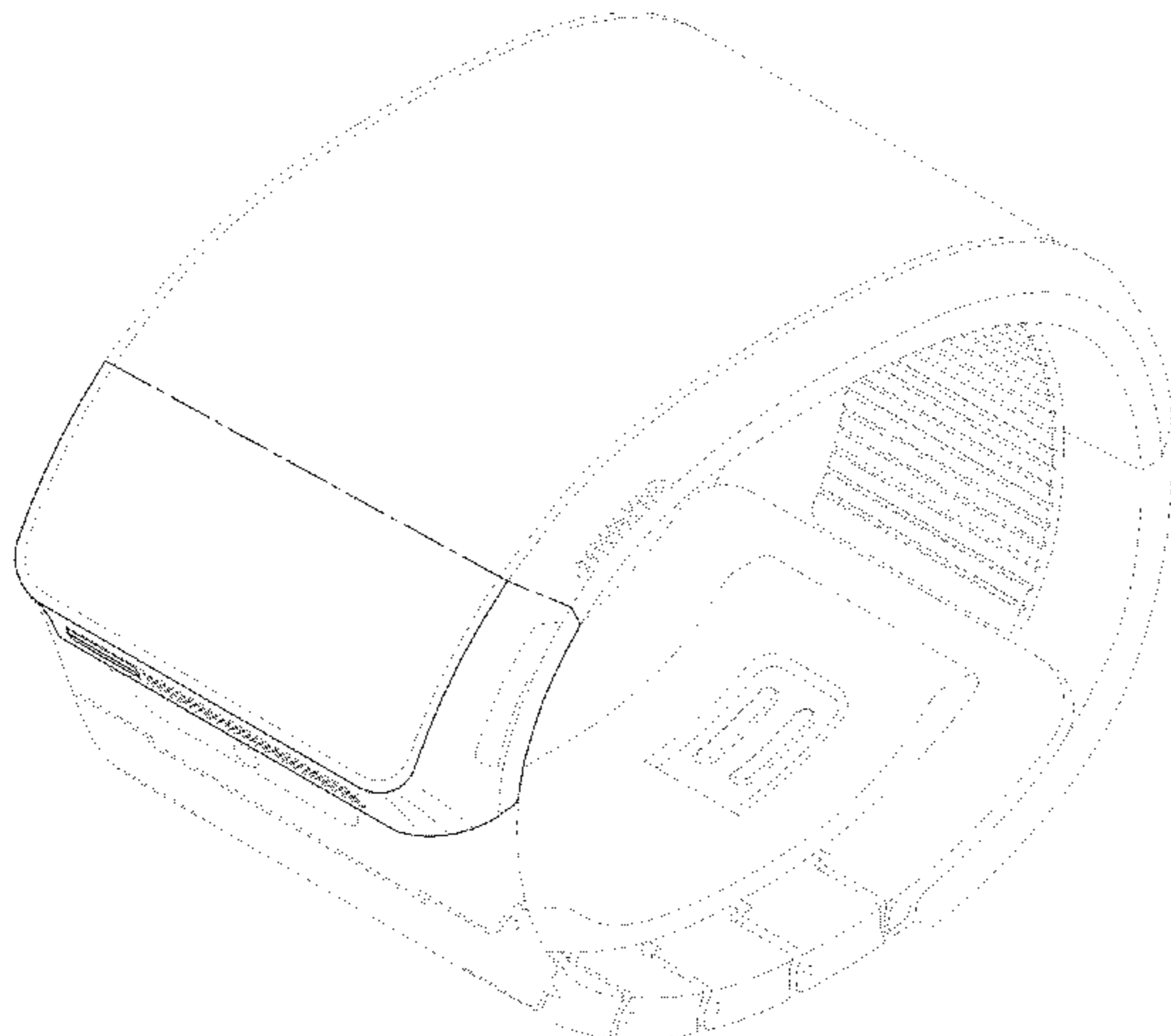


FIG. 1

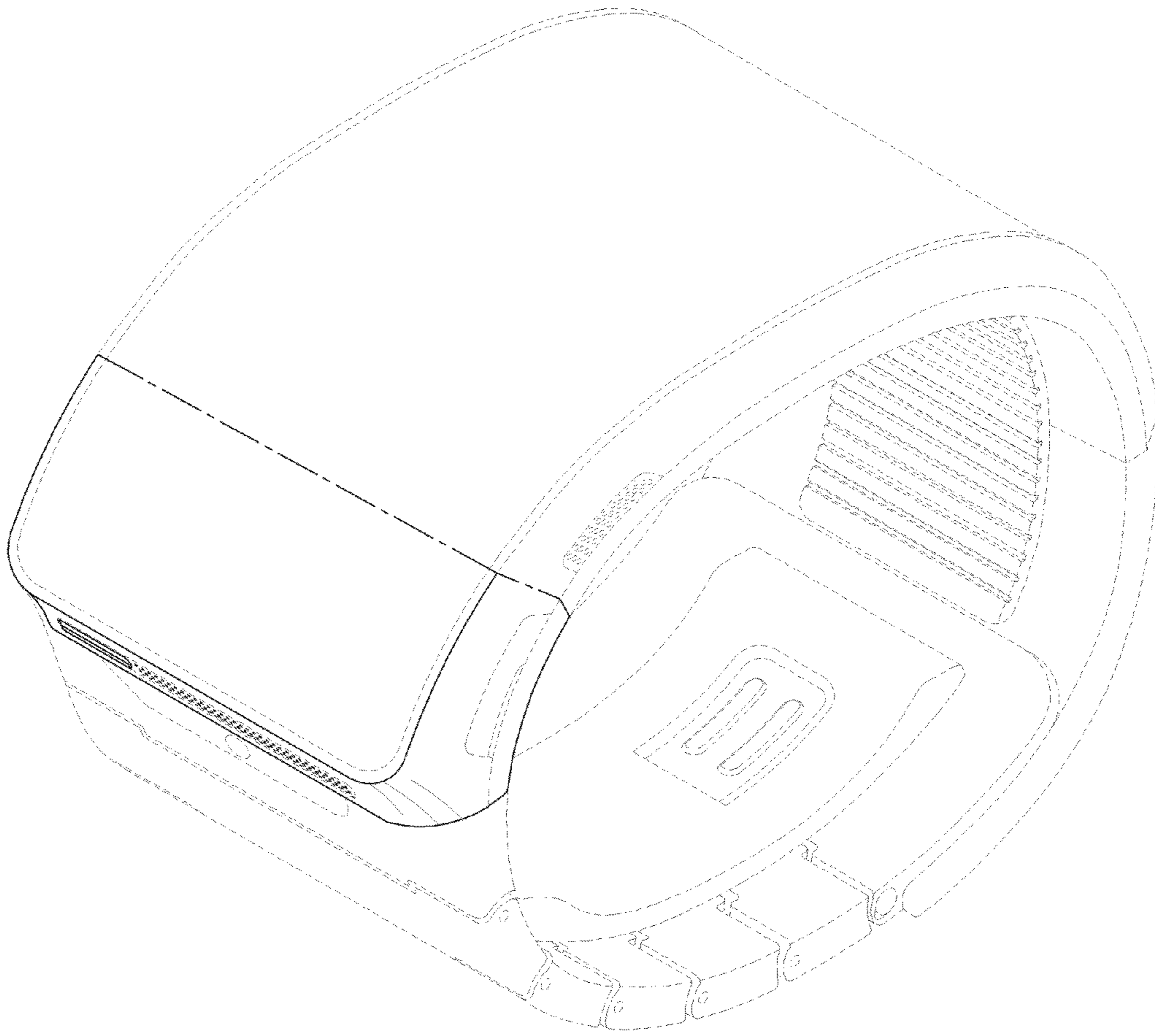


FIG. 2

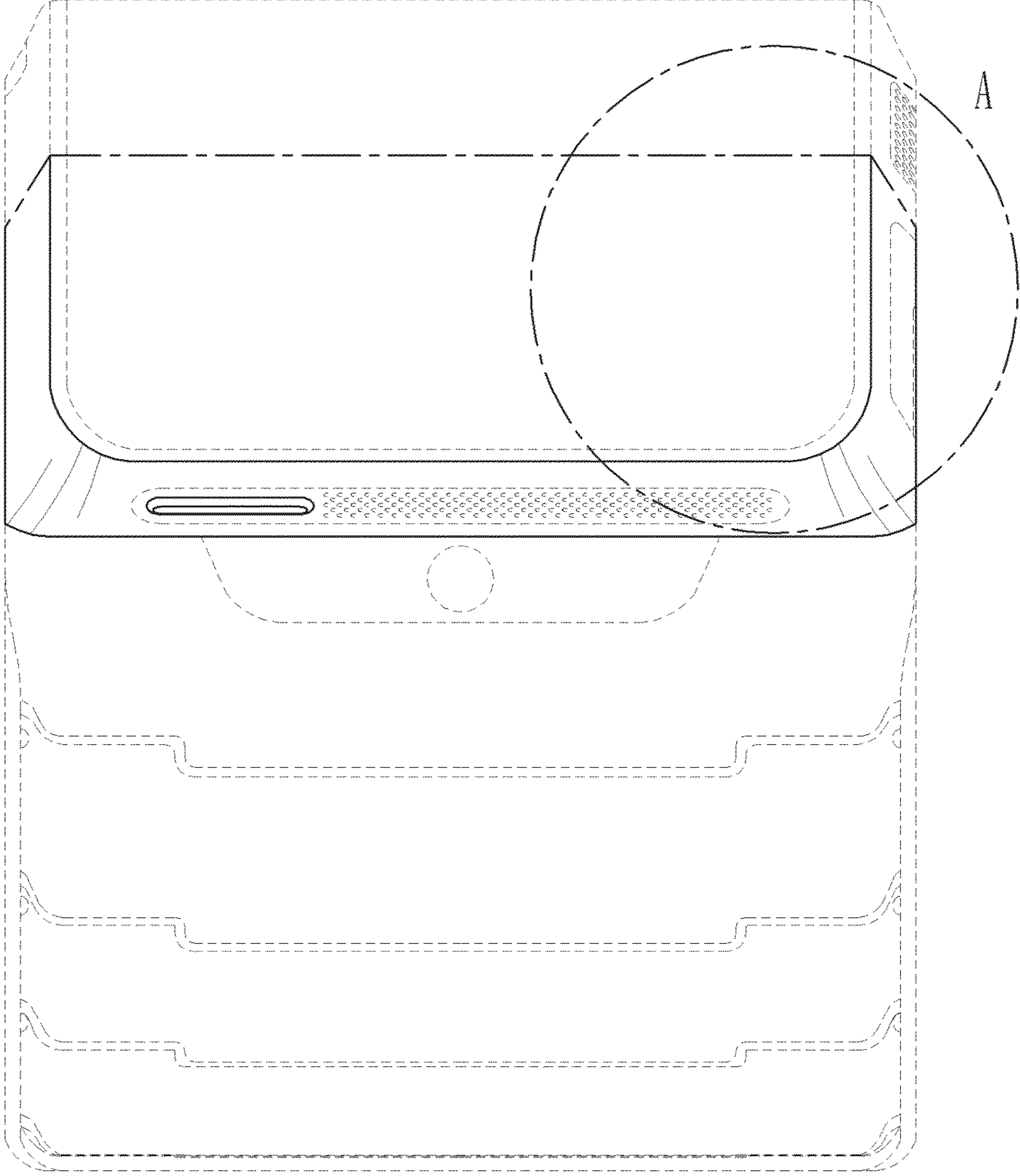


FIG. 3

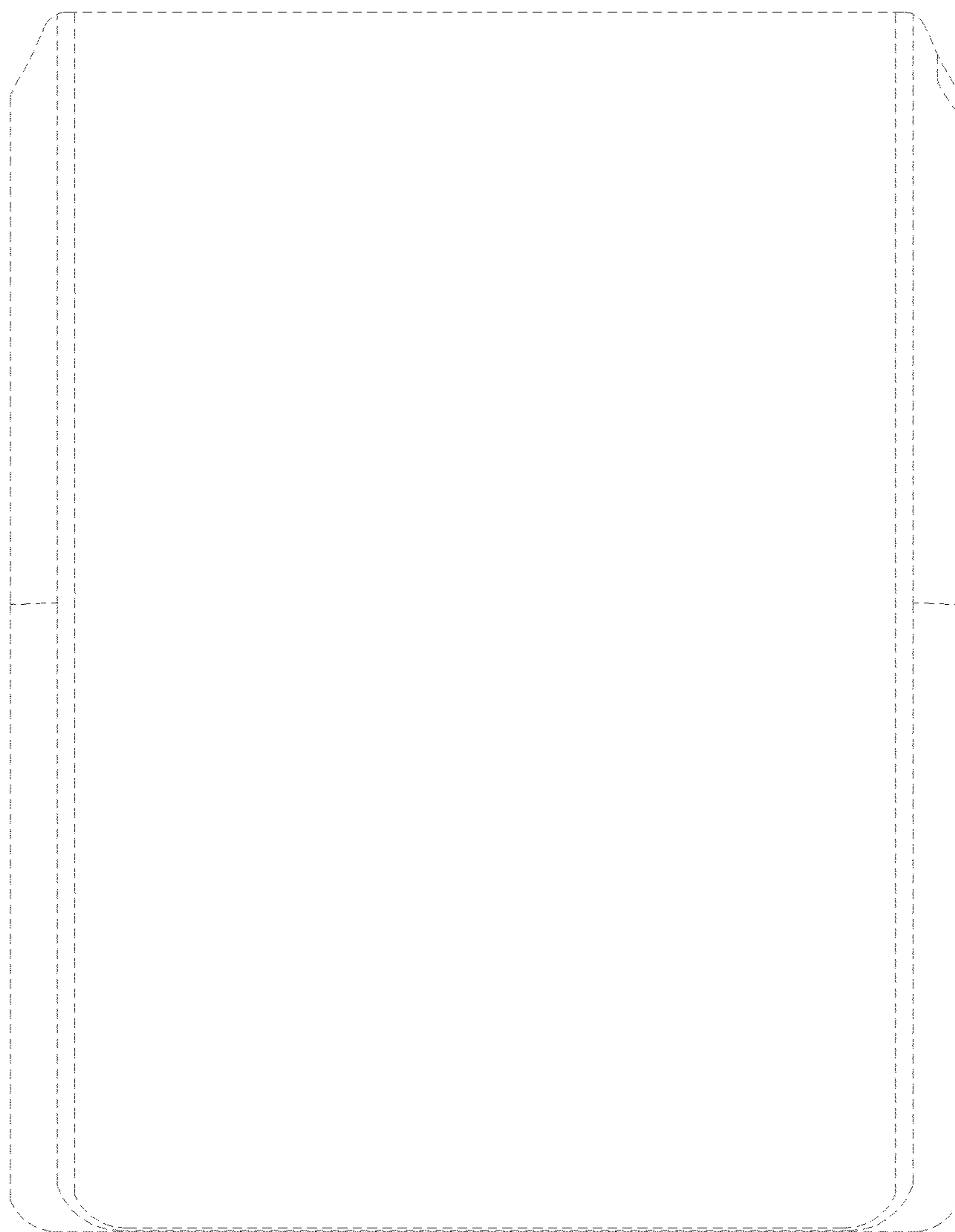


FIG. 4

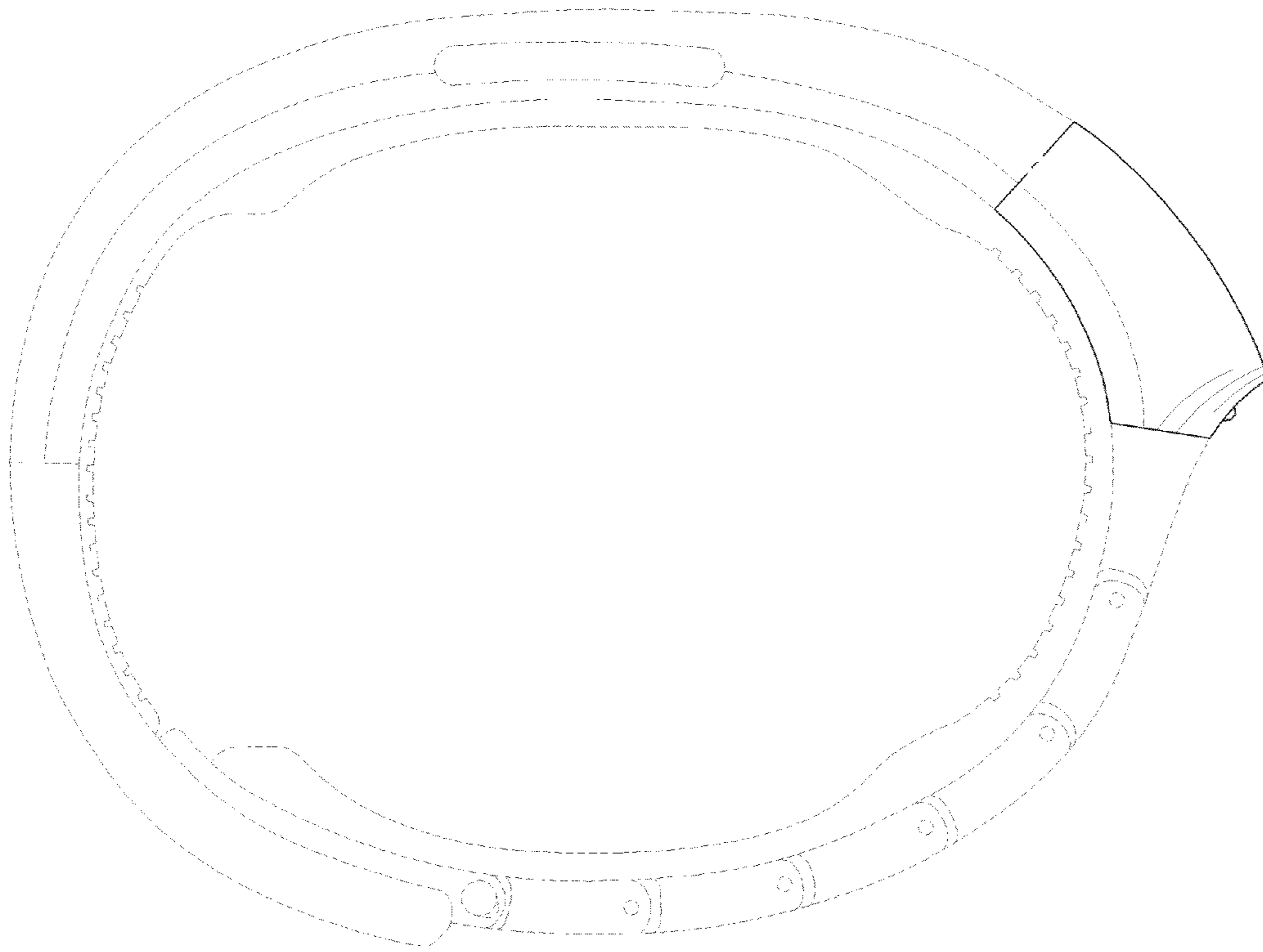


FIG. 5

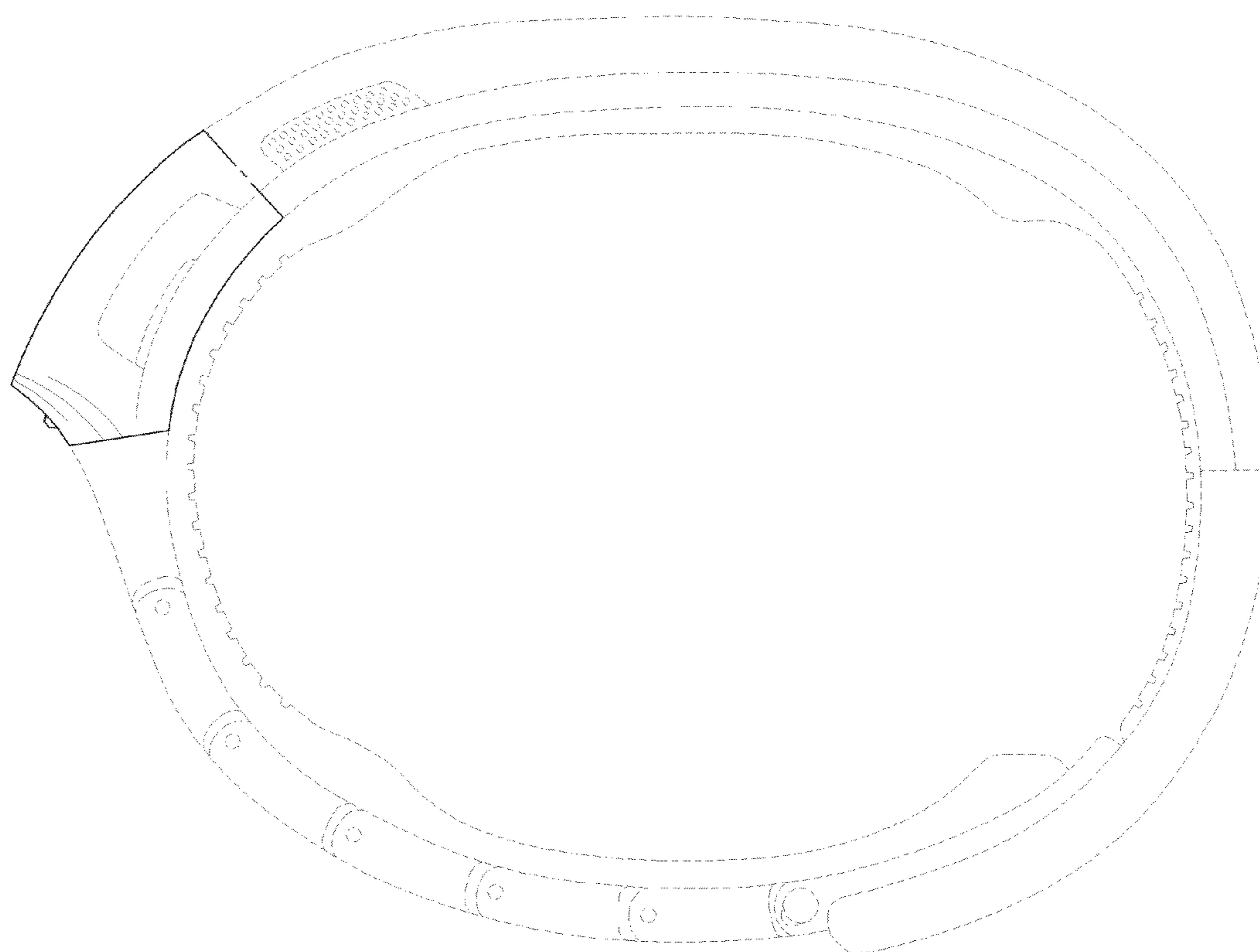


FIG. 6

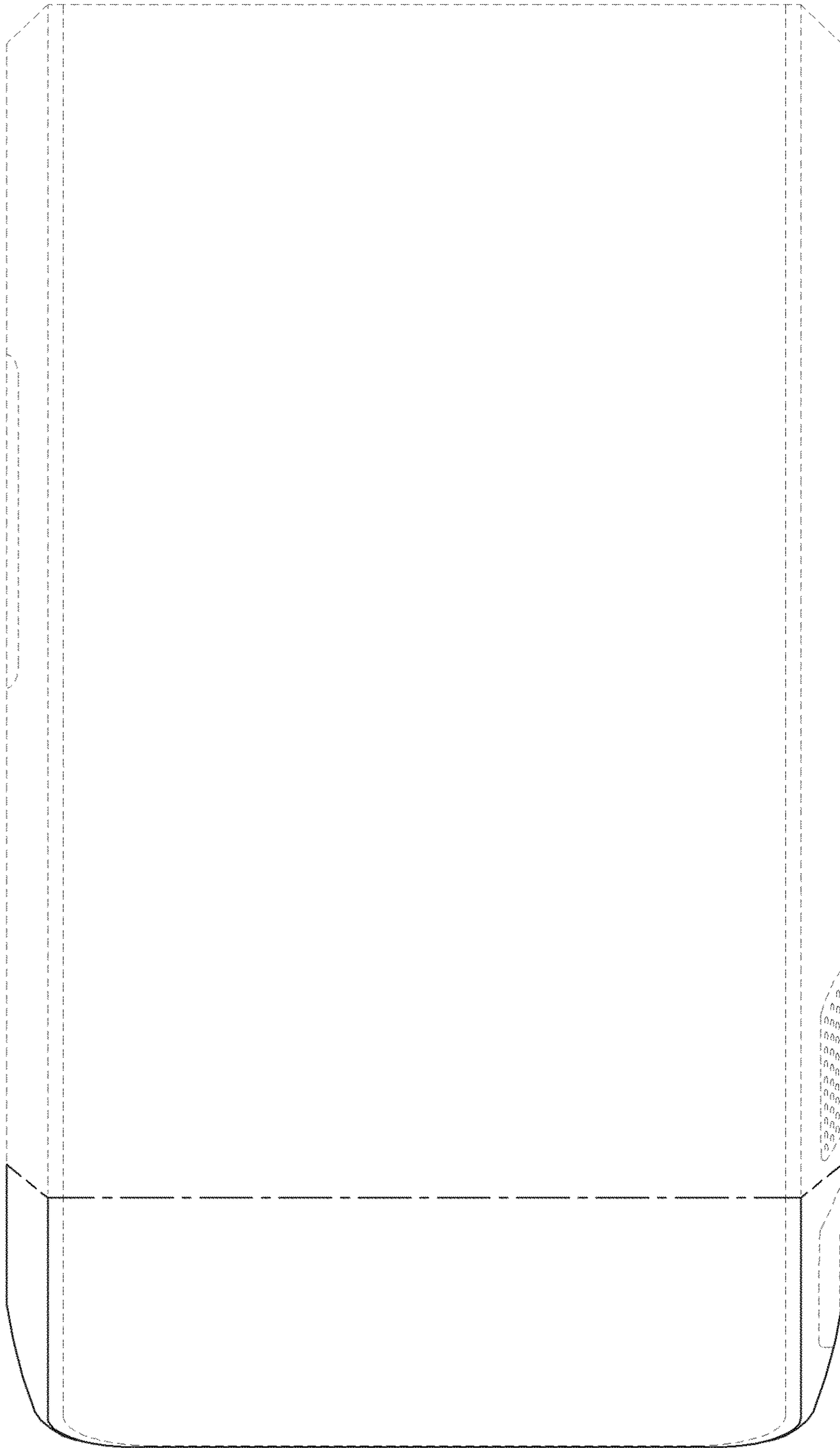


FIG. 7

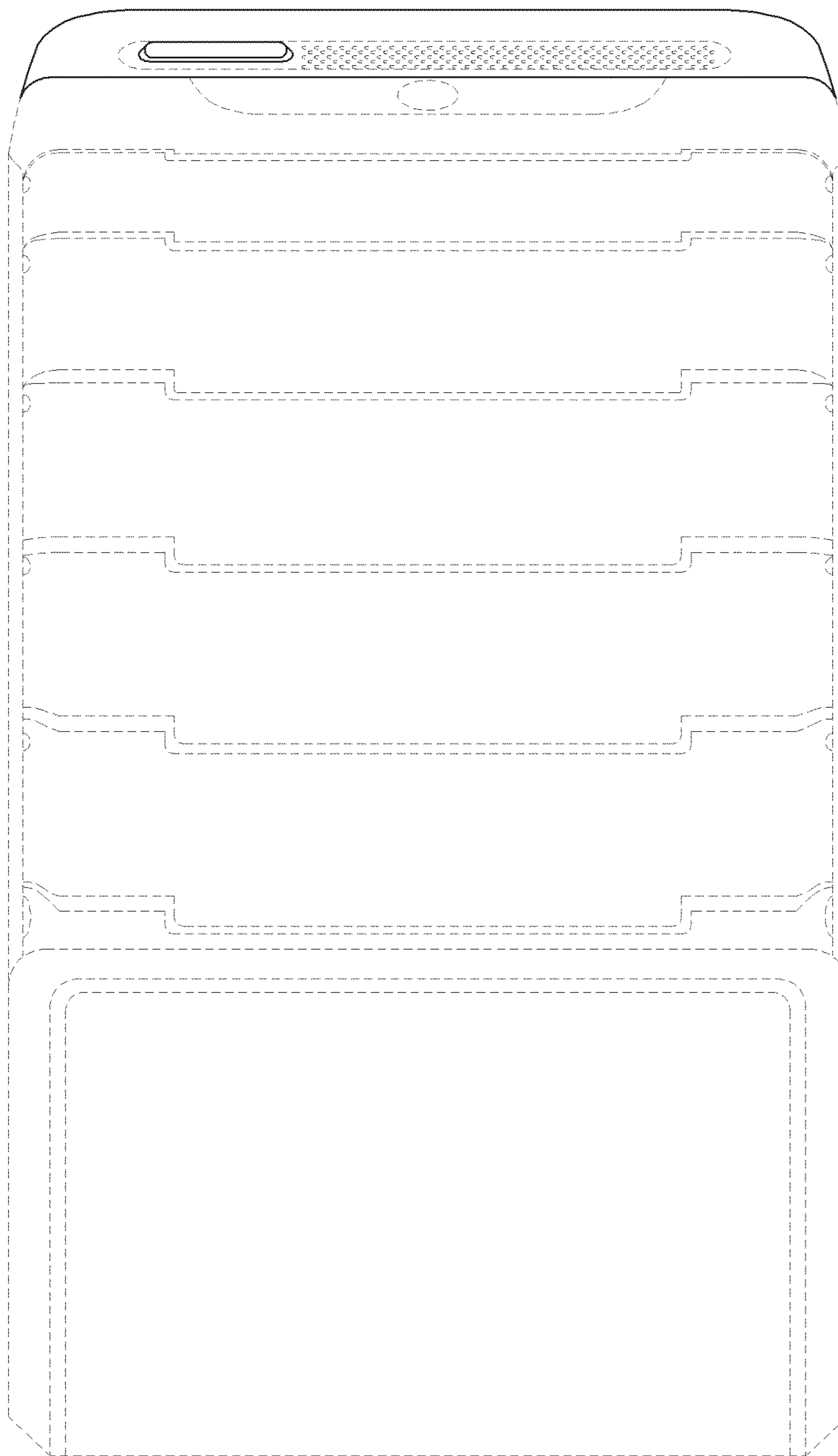


FIG. 8

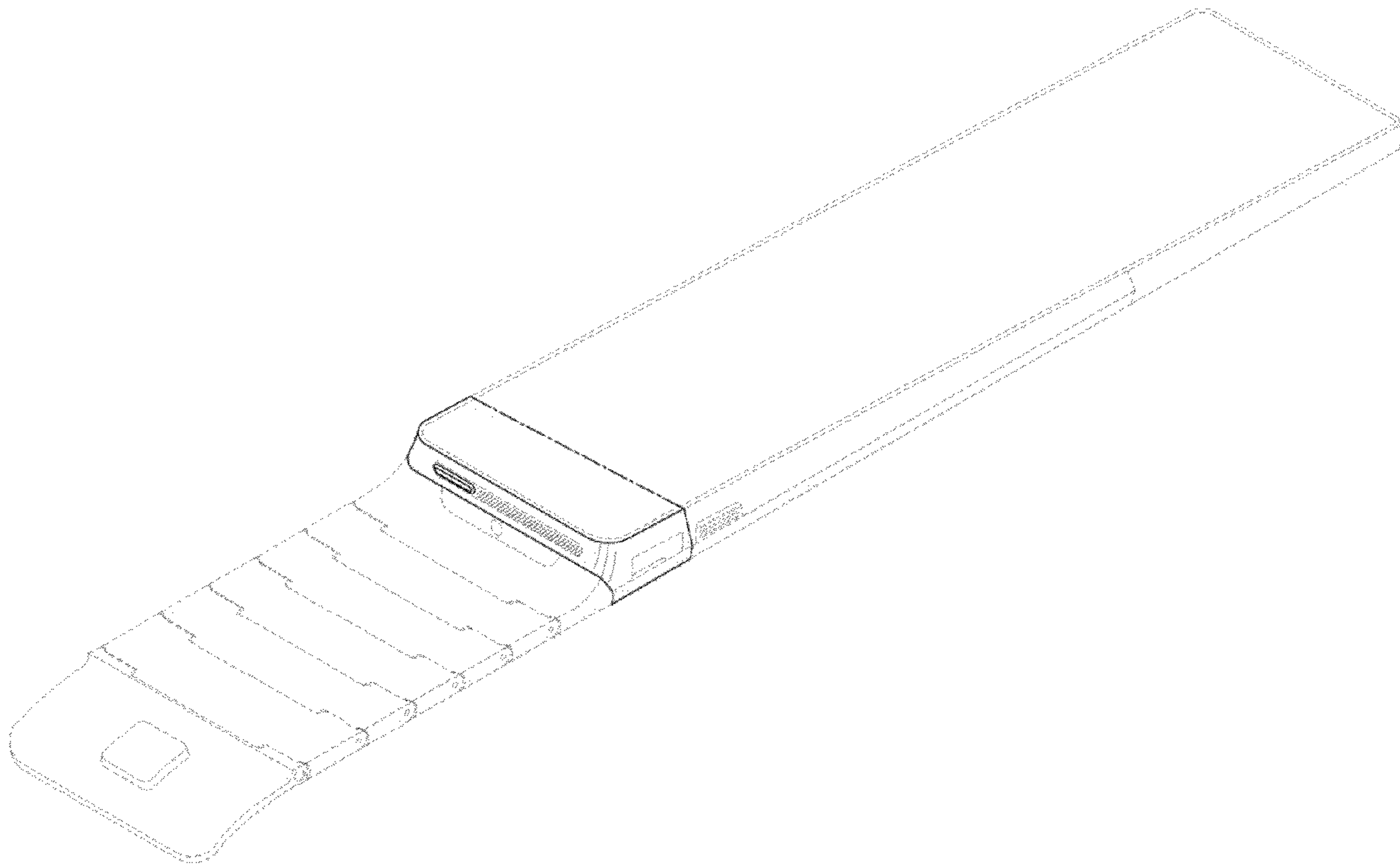


FIG. 9

